



US00D938317S

(12) **United States Design Patent** (10) **Patent No.:** **US D938,317 S**
Wieczorek et al. (45) **Date of Patent:** **** Dec. 14, 2021**

(54) **CONNECTOR PLATE FOR LIGHTWEIGHT BOTTOM DUMP TRAILER BEAM**
(71) Applicant: **MANAC TRAILERS USA, Inc.**, Oran, MO (US)
(72) Inventors: **Christopher Wieczorek**, Youngstown, OH (US); **Joshua Keusenkothen**, Jackson, MO (US)
(73) Assignee: **MANAC TRAILERS USA, INC.**, Oran, MO (US)
(**) Term: **15 Years**
(21) Appl. No.: **29/648,060**
(22) Filed: **May 17, 2018**
(51) **LOC (13) Cl.** **12-16**
(52) **U.S. Cl.**
USPC **D12/162; D12/400; D20/11; D20/13**
(58) **Field of Classification Search**
USPC **D12/159-162, 400; D20/11, 13**
CPC **B60D 1/36; B60D 1/363; B60D 1/366; B60D 1/40; B60D 1/167; B60D 1/248; B60D 1/28; B60D 1/30**
See application file for complete search history.

(56) **References Cited**
U.S. PATENT DOCUMENTS
1,494,658 A * 5/1924 Willwerscheid B60R 13/105 40/210
D160,754 S * 10/1950 Wallace D10/114.3
D255,321 S * 6/1980 Stelman 141/392
D485,516 S * 1/2004 McCoy D12/162
D565,665 S * 4/2008 McGough D20/11
D783,458 S * 4/2017 Pistacchio D12/101
D828,240 S * 9/2018 Williams D12/162
D880,363 S * 4/2020 Guenther D12/95
D880,374 S * 4/2020 McGaughey D12/159
D887,492 S * 6/2020 Hovious D20/13
D917,373 S * 4/2021 Tamagni D12/400

D917,374 S * 4/2021 Tamagni D12/400
D920,855 S * 6/2021 Wieczorek D12/162
2009/0085394 A1 * 4/2009 Lemmons B60P 1/56 298/27
2013/0015221 A1 * 1/2013 Williams B60R 9/06 224/510
2020/0062056 A1 * 2/2020 Corns B60D 1/02
2020/0094636 A1 * 3/2020 Gygi B60D 1/36

OTHER PUBLICATIONS

Kim, Donghwa Co. Ltd., Korean design No. 300625539, published at Orbit, publication date Dec. 19, 2011. Site visited May 18, 2020. Available from Internet. (Year: 2011).*

* cited by examiner

Primary Examiner — Kathleen L Jones
(74) *Attorney, Agent, or Firm* — Bryan D. Zerhusen; Nicholas R. Herrel; Cantor Colburn LLP

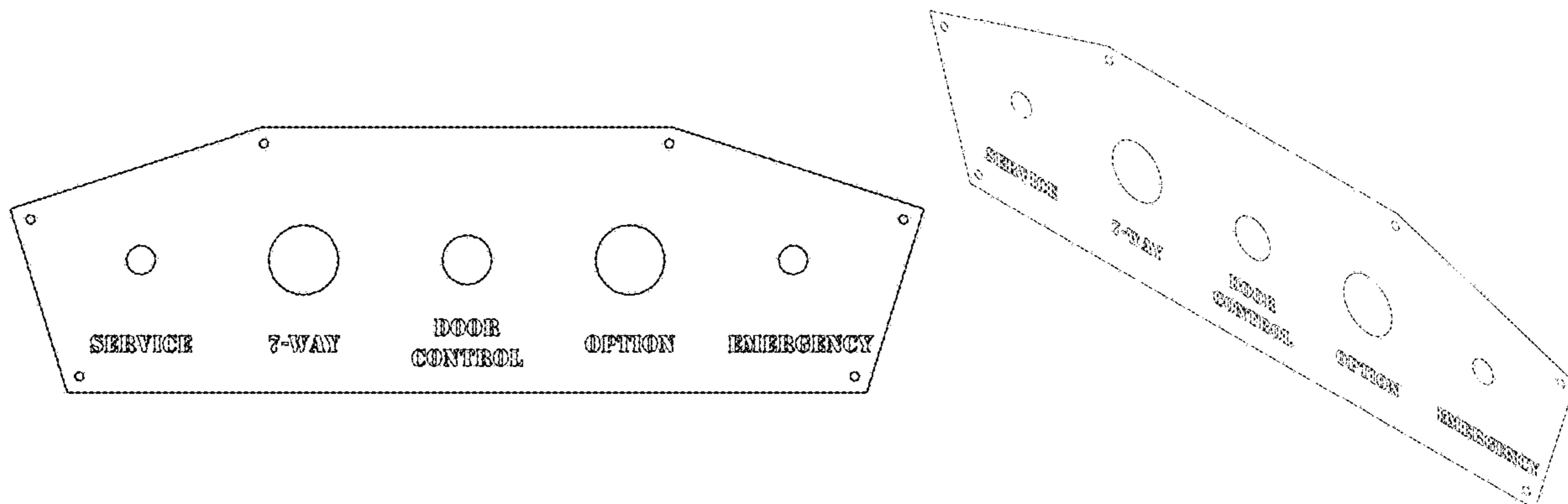
(57) **CLAIM**

The ornamental design for a connector plate for lightweight bottom dump trailer beam, as shown and described.

DESCRIPTION

FIG. 1 is a front view of the connector plate for lightweight bottom dump trailer beam;
FIG. 2 is another view thereof, shown within a broken line environment of use on a lightweight bottom dump trailer beam; and,
FIG. 3 is a perspective view of the connector plate for lightweight bottom dump trailer beam.
The broken lines illustrate environment of the article and form no part of the claimed design. The surface of the connector plate and edges shown in solid lines form part of the claimed design. No portion of the connector plate within the circular edges or the edges of the text characters form part of the claimed design.

1 Claim, 3 Drawing Sheets



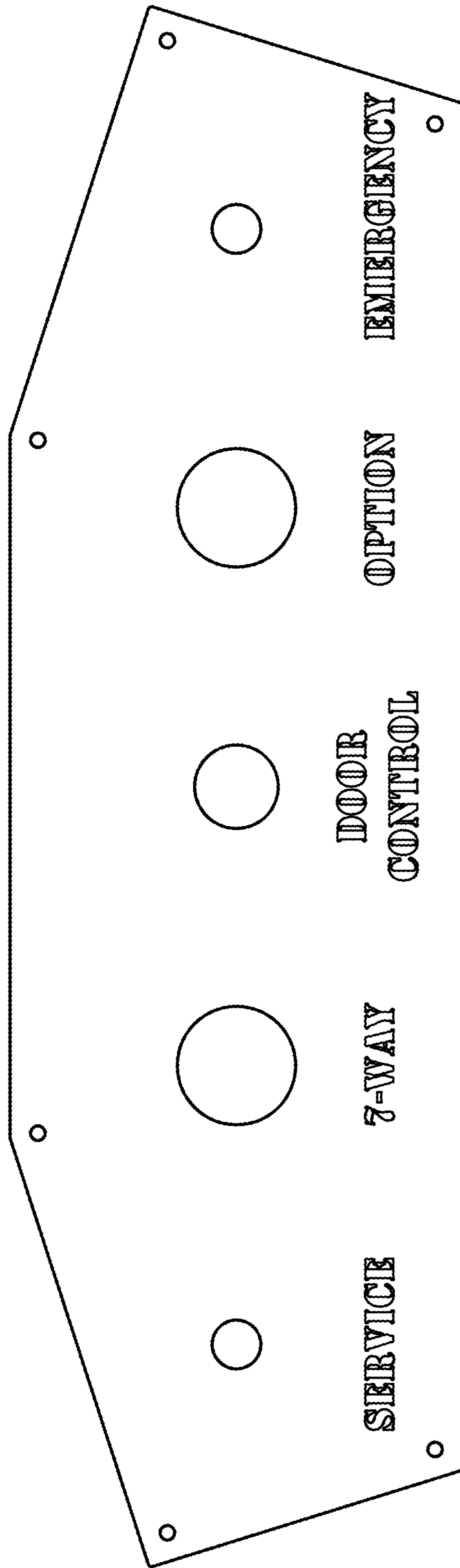


FIG. 1

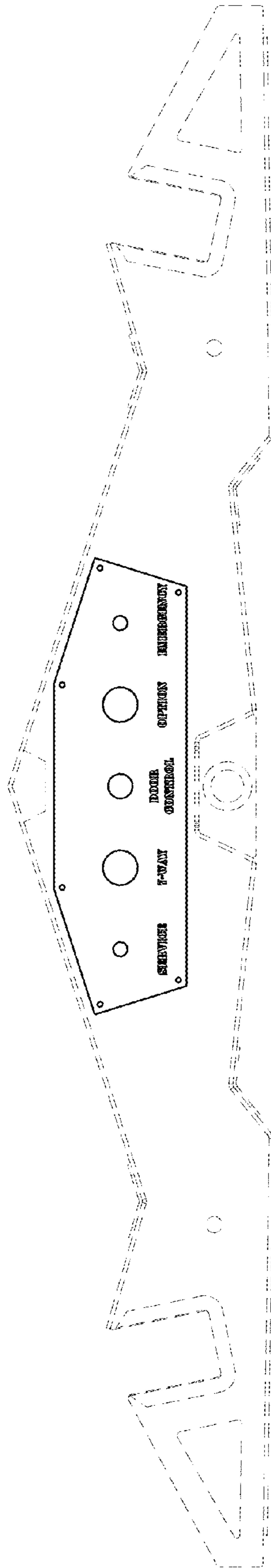


FIG. 2

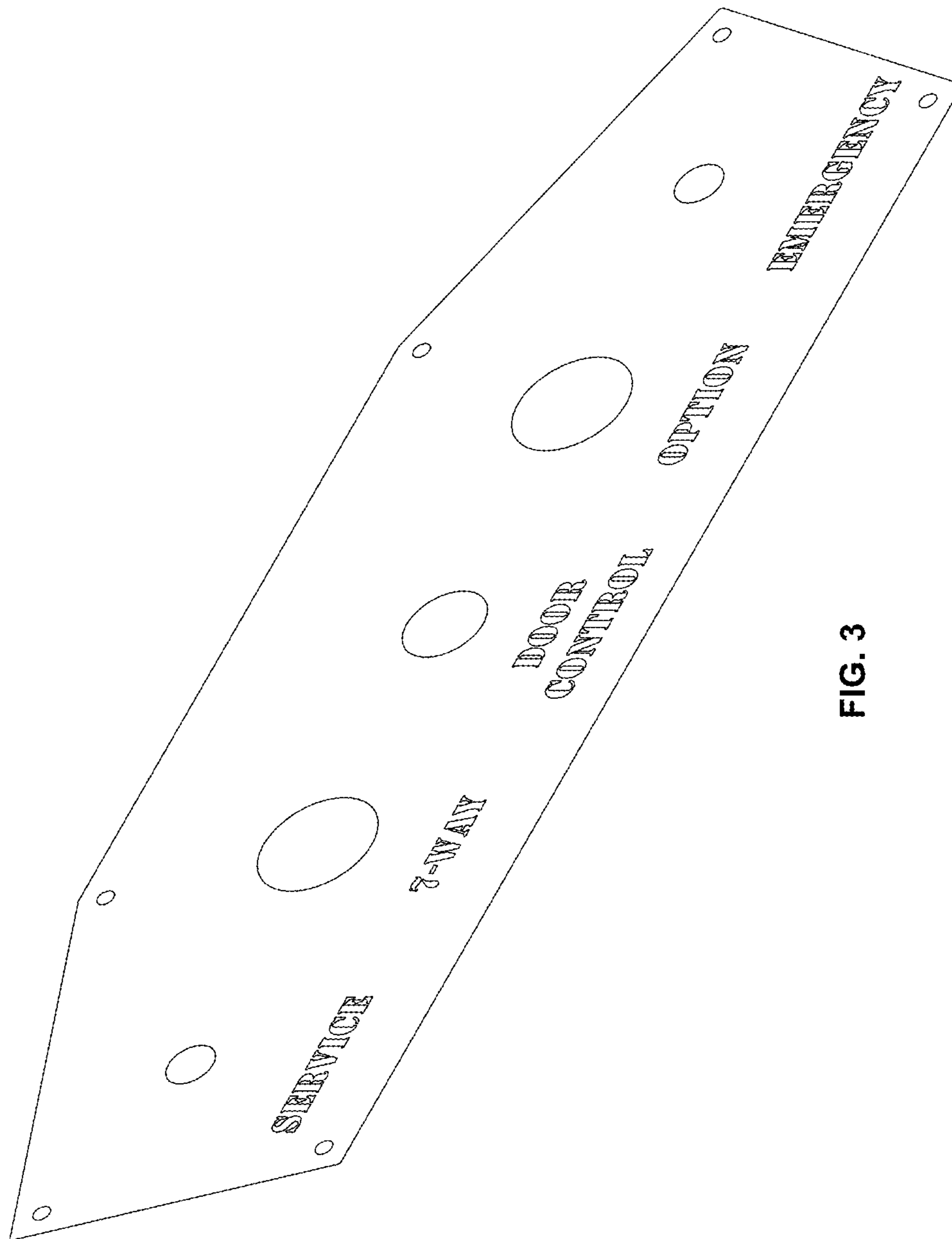


FIG. 3