



US00D938316S

(12) **United States Design Patent** (10) **Patent No.:** **US D938,316 S**
Shao (45) **Date of Patent:** **** Dec. 14, 2021**

(54) **BICYCLE PARKING RACK**
(71) Applicant: **Shichao Shao**, Jiangsu (CN)
(72) Inventor: **Shichao Shao**, Jiangsu (CN)
(**) Term: **15 Years**

D792,720 S * 7/2017 Lang D6/552
D809,435 S * 2/2018 Gertner D12/115
D820,168 S * 6/2018 Peruzzo D12/115
D829,611 S * 10/2018 Holiday, III D12/115
D863,117 S * 10/2019 Rossiter D12/115
D908,048 S * 1/2021 Peruzzo D12/115
2013/0146484 A1 * 6/2013 Parkins B62H 3/08
206/216

(21) Appl. No.: **29/775,462**
(22) Filed: **Mar. 23, 2021**
(51) **LOC (13) Cl.** **08-10**
(52) **U.S. Cl.**
USPC **D12/115**
(58) **Field of Classification Search**
USPC D12/115, 120, 402, 406-408; D6/552
CPC ... B62H 3/00; B62H 3/04; B62H 3/08; B62H
3/10; B60R 9/06; B60R 9/10
See application file for complete search history.

OTHER PUBLICATIONS

Road Bike Wall Mount Hook Indoor Bicycle Storage Parking Rack
Bracket Holder; 2021; https://www.wish.com/product/road-bike-wall-mount-hook-indoor-bicycle-storage-parking-rack-bracket-holder-5f4484417c18a90039587836?hide_login_modal=true&share=web;4Pgs. (Year: 2021).*

(Continued)

Primary Examiner — Michelle E. Wilson
Assistant Examiner — Clese Moore, Jr.

(56) **References Cited**
U.S. PATENT DOCUMENTS

D260,248 S * 8/1981 Gallagher D12/115
D263,945 S * 4/1982 Voegeli D12/115
D264,325 S * 5/1982 Griswold D12/115
D278,616 S * 4/1985 Collison D12/115
D327,666 S * 7/1992 Carlson D12/115
D341,342 S 11/1993 Pook
D372,691 S * 8/1996 Eason D12/115
D456,316 S * 4/2002 Will D12/115
D466,842 S * 12/2002 Lems D12/115
D602,403 S * 10/2009 Shaha D12/115
D605,092 S * 12/2009 Van Buuren D12/115
D610,048 S * 2/2010 Sladick D12/115
D669,398 S * 10/2012 Parkins D12/115
D670,209 S * 11/2012 Graham D12/115
D688,166 S * 8/2013 Kedar D12/115
D728,431 S * 5/2015 Lang D12/115
D761,701 S * 7/2016 Jobe D12/115
D766,138 S * 9/2016 Arbour D12/115
D774,422 S * 12/2016 Greenblatt D12/115
D780,640 S * 3/2017 Hudson, Jr. D12/115

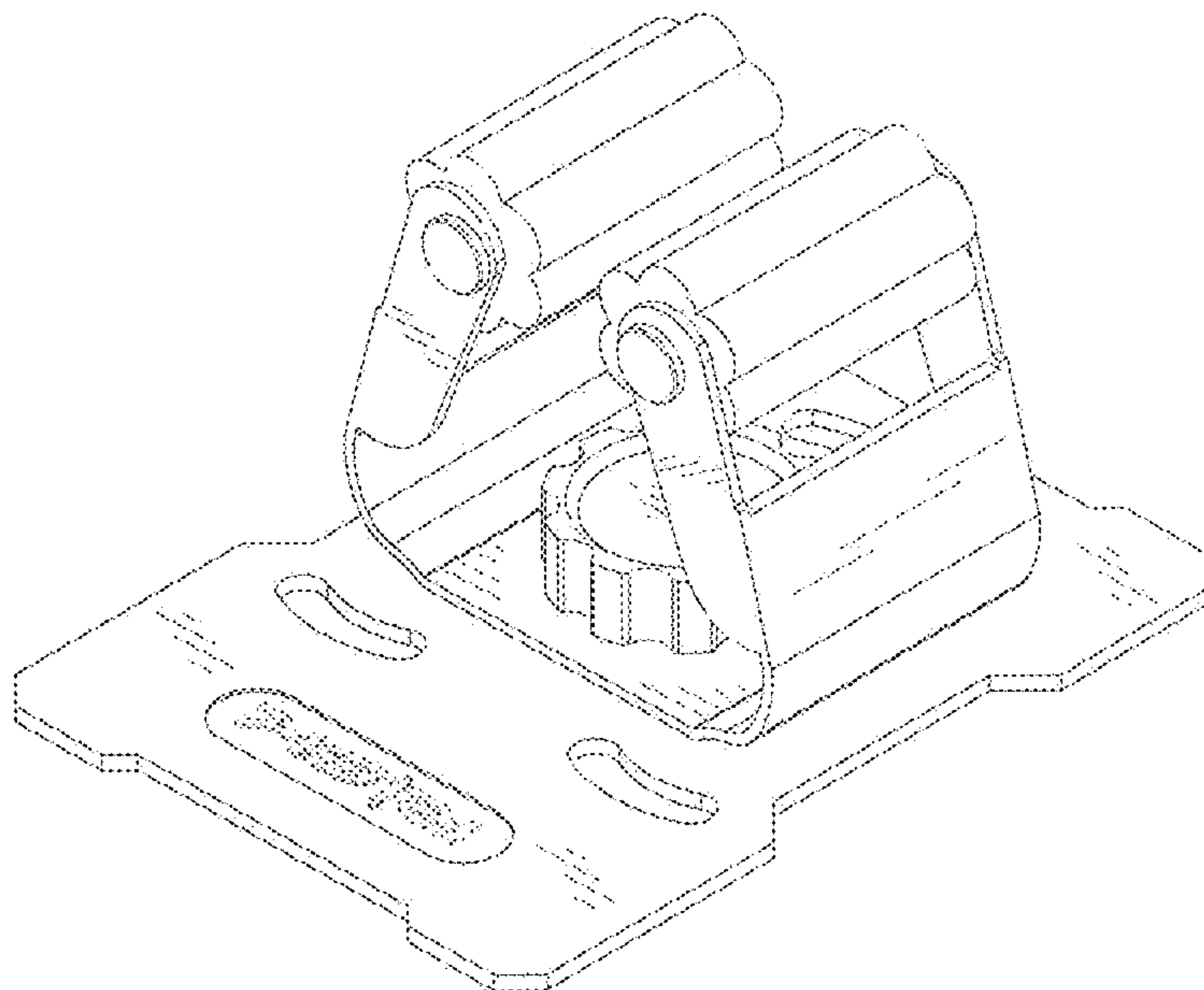
(57) **CLAIM**

The ornamental design for a bicycle parking rack, as shown and described.

DESCRIPTION

FIG. 1 is a rear, left and top perspective view of a bicycle parking rack showing my new design;
FIG. 2 is a front, right and bottom perspective view thereof;
FIG. 3 is a front view thereof;
FIG. 4 is a rear view thereof;
FIG. 5 is a left view thereof;
FIG. 6 is a right view thereof;
FIG. 7 is a top view thereof; and,
FIG. 8 is a bottom view thereof.
The broken lines in the drawings illustrate portions of the bicycle parking rack, which form no part of the claimed design.

1 Claim, 8 Drawing Sheets



(56)

References Cited

OTHER PUBLICATIONS

Creative Free Punch Indoor Bike Rack Wall Hooks Bike Wall Stand Holders Wall Mount Flip-Up Bike Storage Racks; 2021; <https://www.wayfair.com/storage-organization/pdp/pixnor-creative-free-punch-indoor-bike-rack-wall-hooks-bike-wall-stand-holders-wall-mount-flip-up-bike-storage-racks-darz2725.html>; 9 Pgs (Year: 2021).*

* cited by examiner

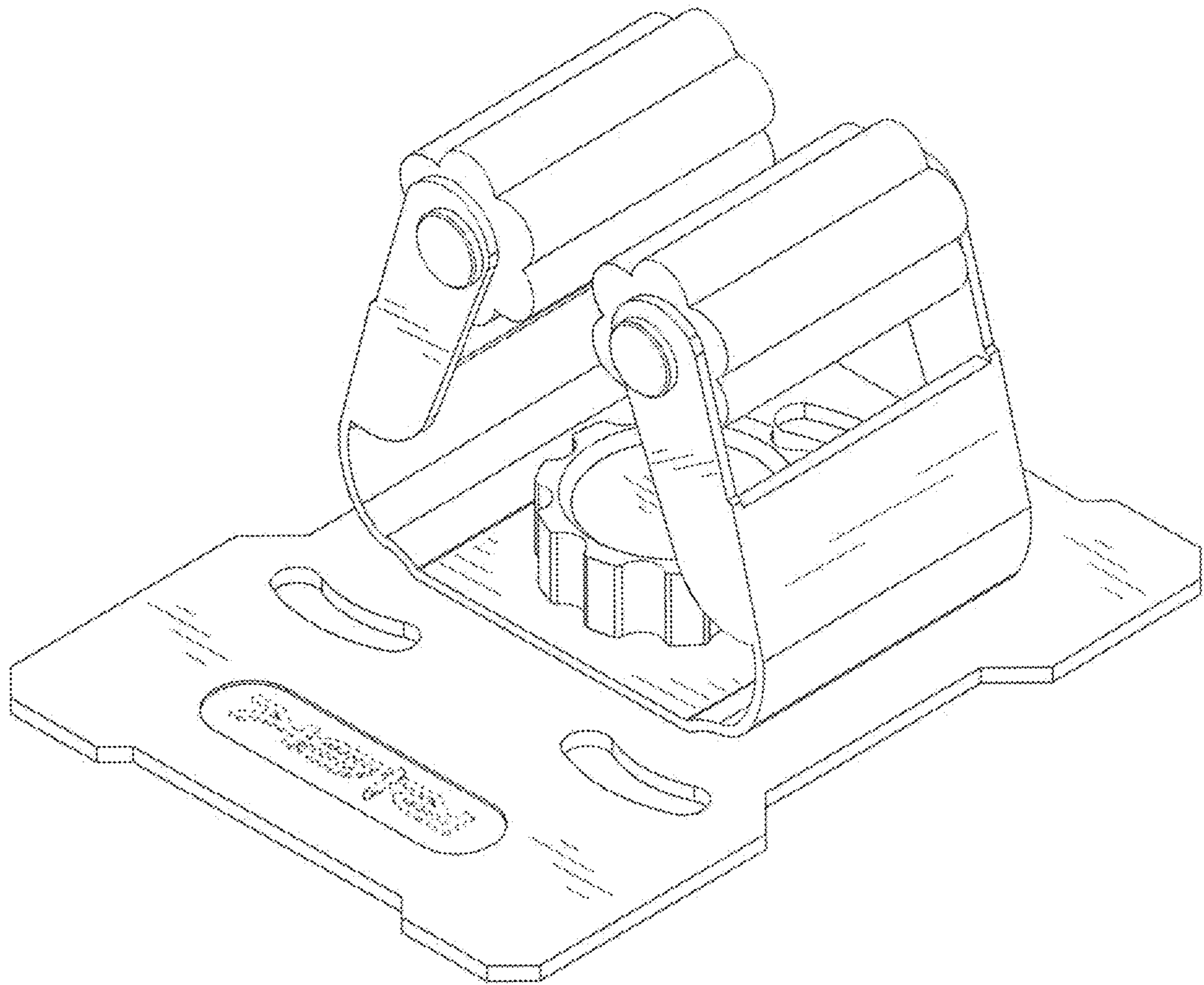


FIG. 1

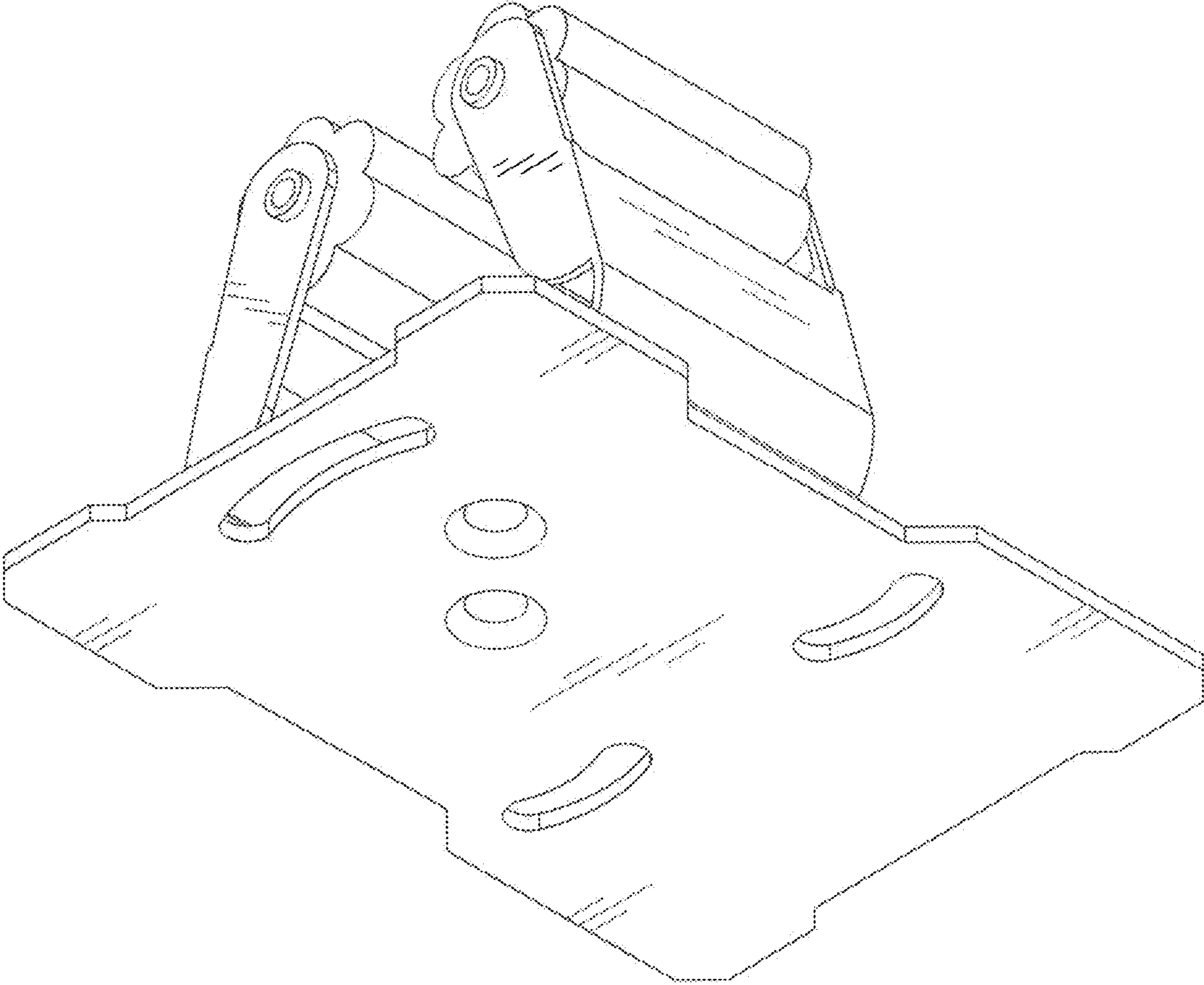


FIG. 2

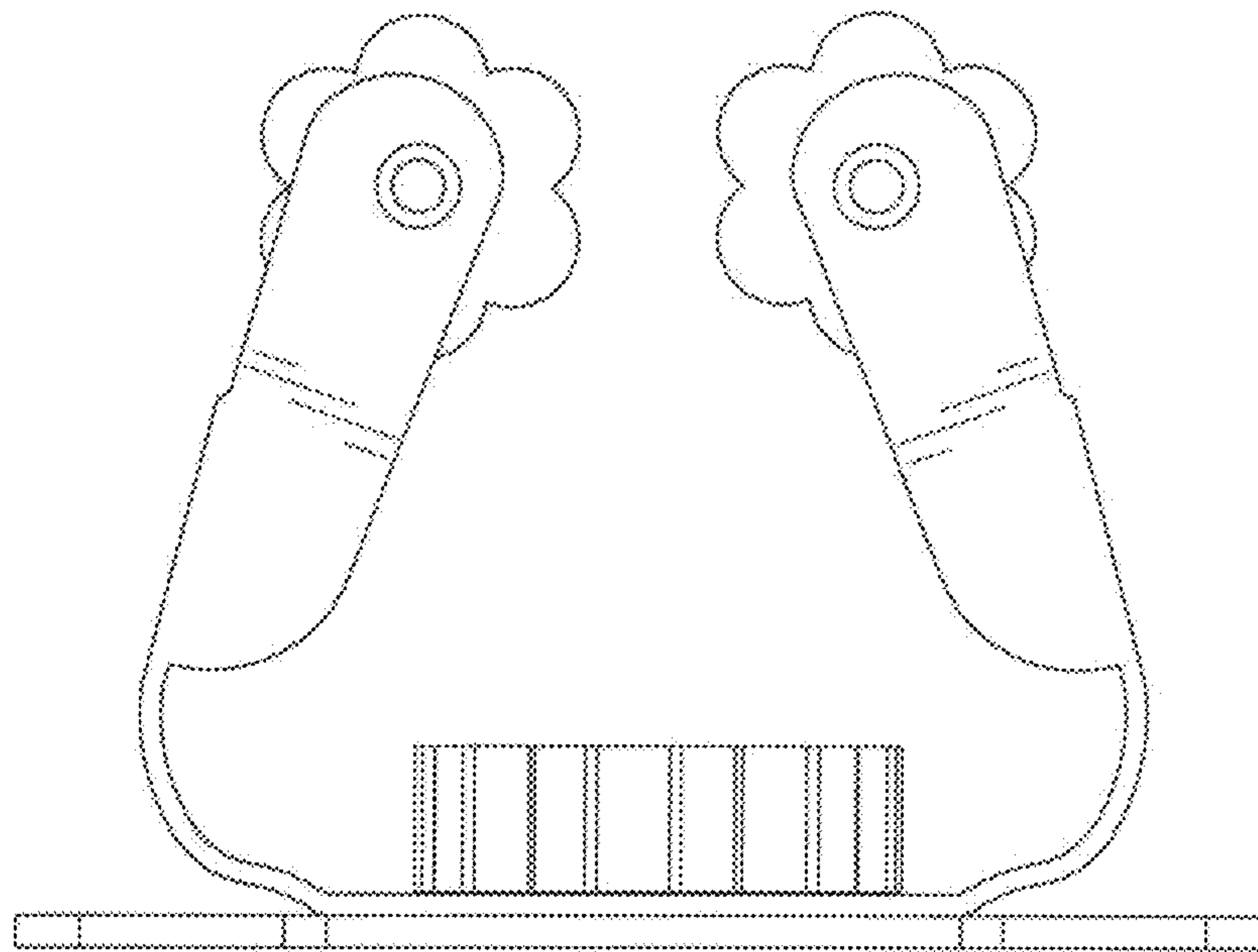


FIG. 3

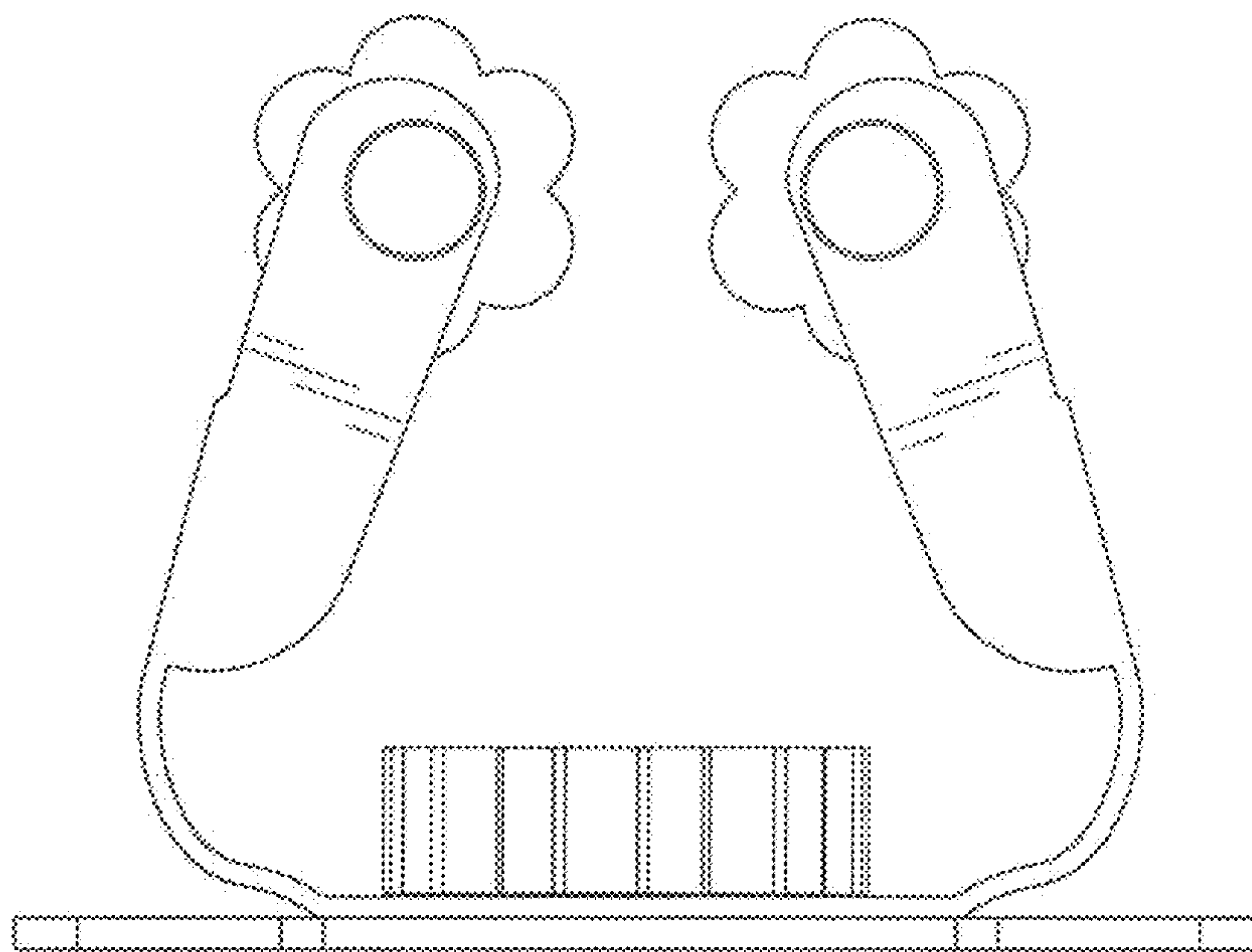


FIG. 4

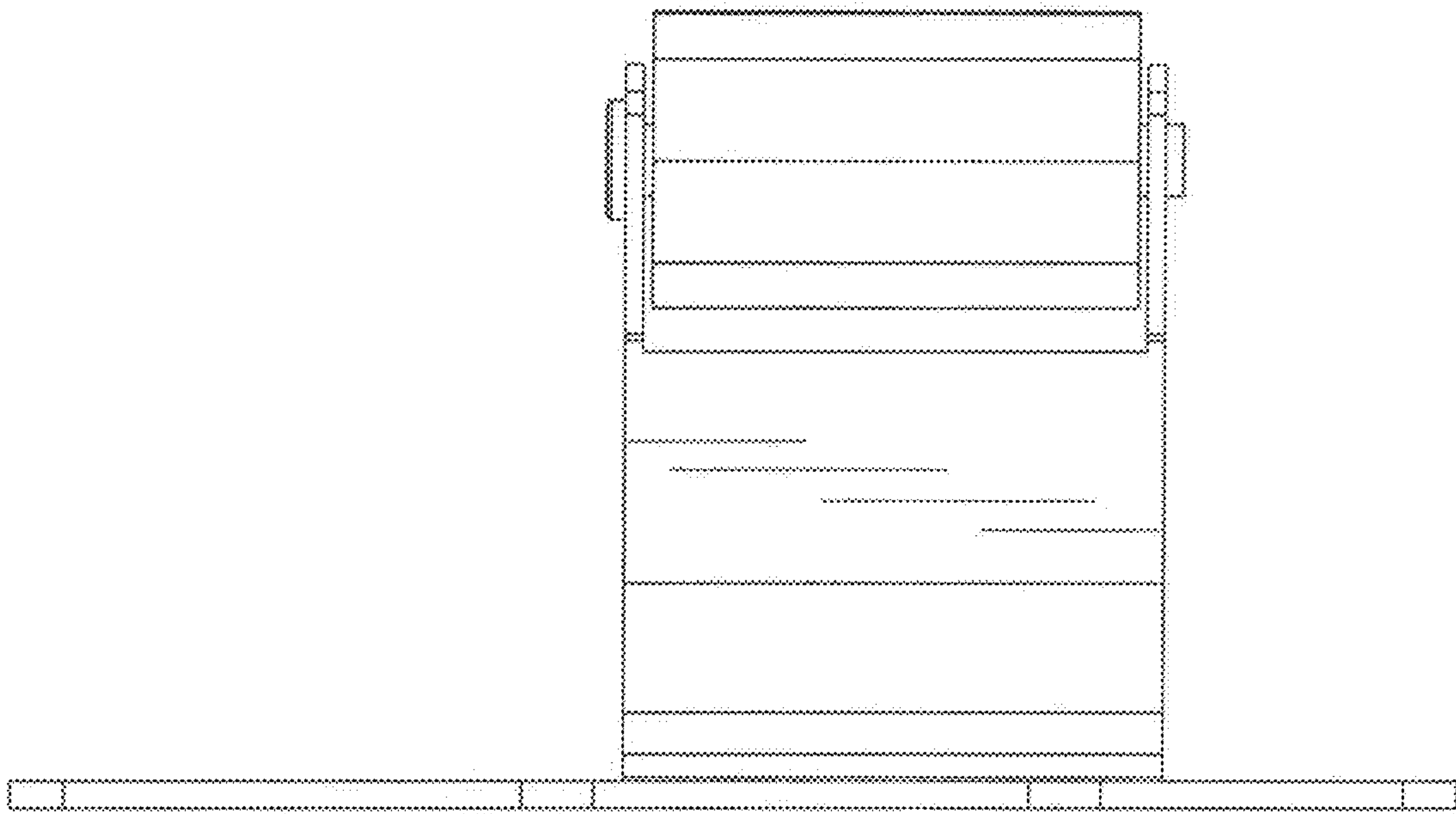


FIG. 5

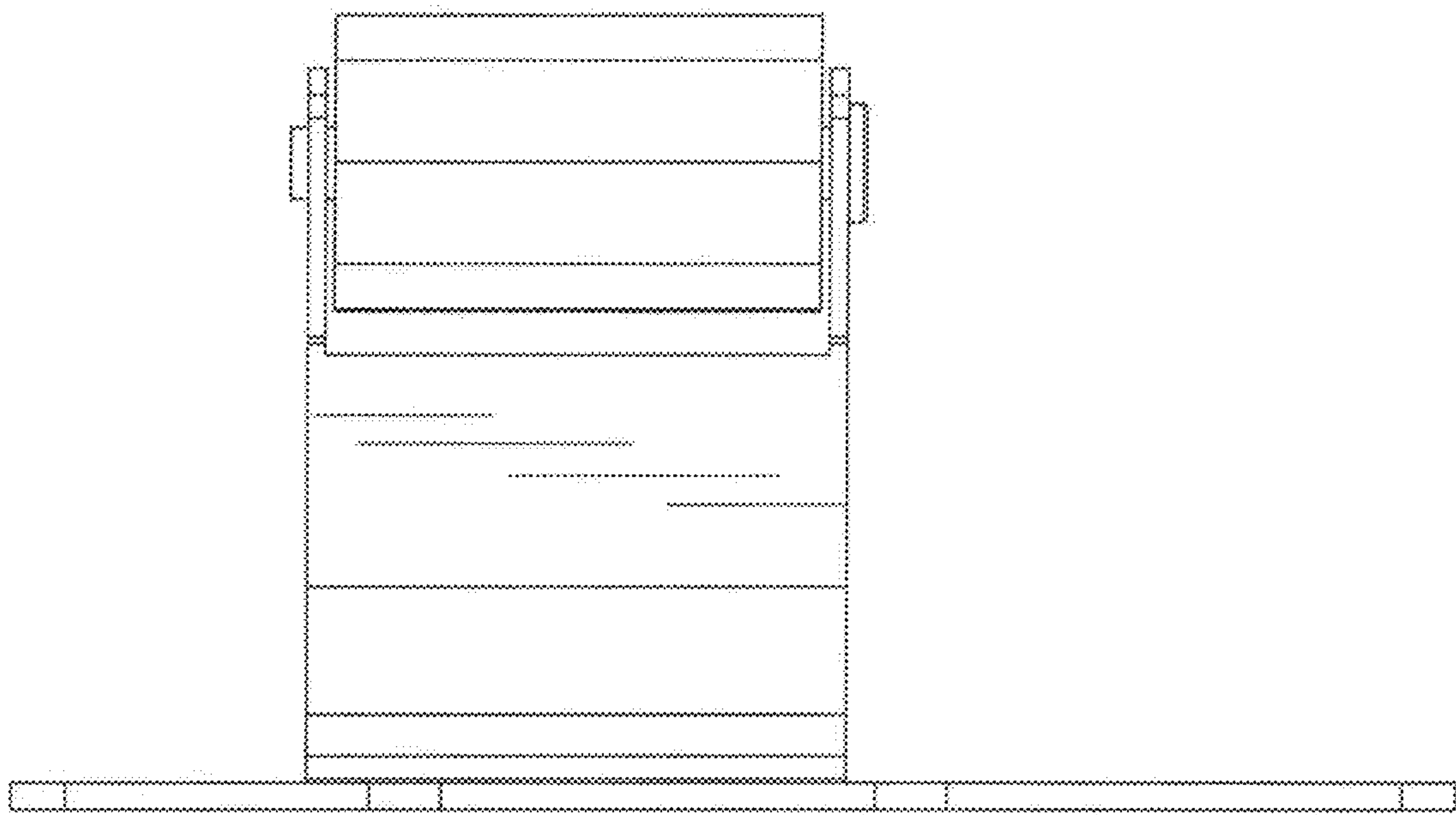


FIG. 6

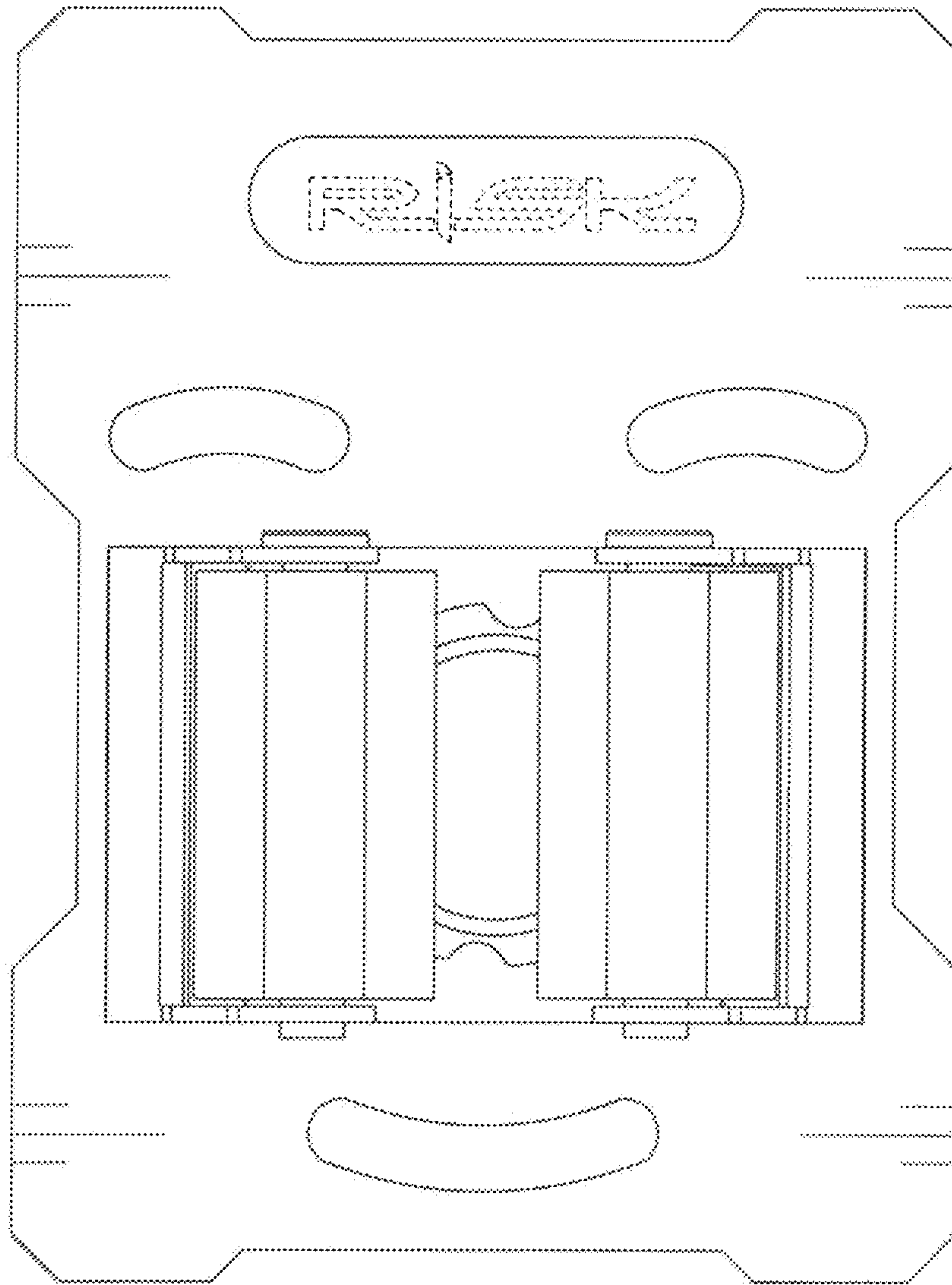


FIG. 7

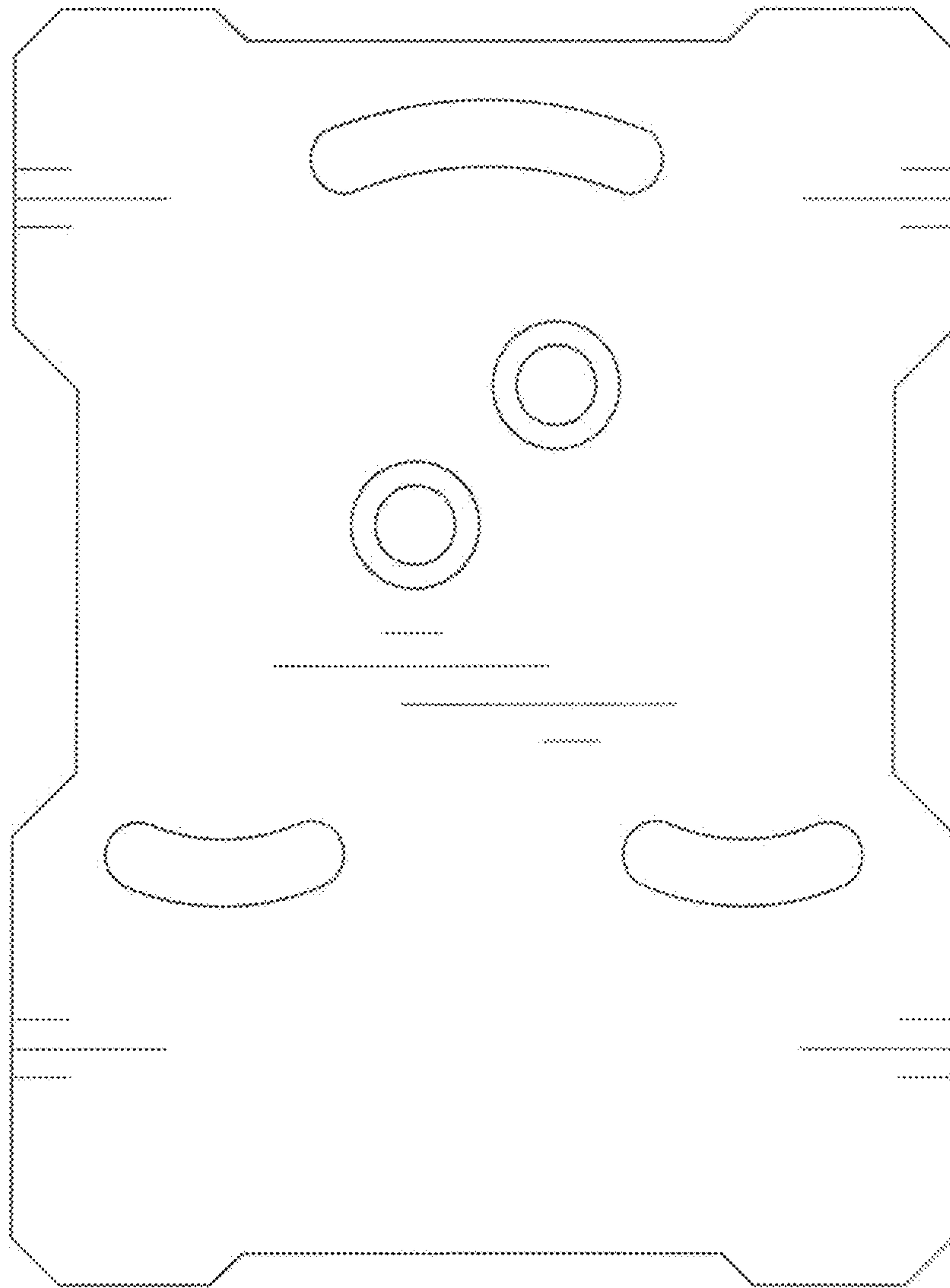


FIG. 8