



US00D938315S

(12) **United States Design Patent** (10) **Patent No.:** **US D938,315 S**
Doughty (45) **Date of Patent:** **** Dec. 14, 2021**

(54) **STAND FOR A BICYCLE**
(71) Applicant: **HAWK NZ LIMITED**, Auckland (NZ)
(72) Inventor: **James Doughty**, Auckland (NZ)
(73) Assignee: **HAWK NZ LIMITED**, Auckland (NZ)
(**) Term: **15 Years**
(21) Appl. No.: **29/731,459**
(22) Filed: **Apr. 15, 2020**
(51) **LOC (13) Cl.** **08-10**
(52) **U.S. Cl.**
USPC **D12/115**
(58) **Field of Classification Search**
USPC D12/115, 120, 402, 406, 407; D10/113.3
CPC ... B62H 3/00; B62H 3/04; B62H 3/08; B62H
3/10; B60R 9/06; B60R 9/10
See application file for complete search history.

D466,842 S * 12/2002 Lems D12/115
D488,106 S * 4/2004 Birkmann D12/115
D490,751 S * 6/2004 Pino D12/115
D511,470 S * 11/2005 Rittenhouse D10/113.3
D595,189 S * 6/2009 Palmer D12/115
D604,206 S * 11/2009 Selzer D12/115
D605,092 S * 12/2009 Van Buuren D12/115
D610,048 S * 2/2010 Sladick D12/115
D661,623 S * 6/2012 Strayer D12/115
D669,398 S * 10/2012 Parkins D12/115
D682,955 S * 5/2013 Stephan D21/679
D768,545 S * 10/2016 Greenblatt D12/115
D792,288 S * 7/2017 Koren, Jr. D12/115
D796,387 S * 9/2017 Lee D12/115
D841,523 S * 2/2019 Ford D12/115

* cited by examiner

Primary Examiner — Michelle E. Wilson
Assistant Examiner — Clese Moore, Jr.
(74) *Attorney, Agent, or Firm* — Weiss & Moy, P.C.;
Jeffrey D. Moy

(57) **CLAIM**

The ornamental design for a stand for a bicycle, as shown and described.

(56) **References Cited**

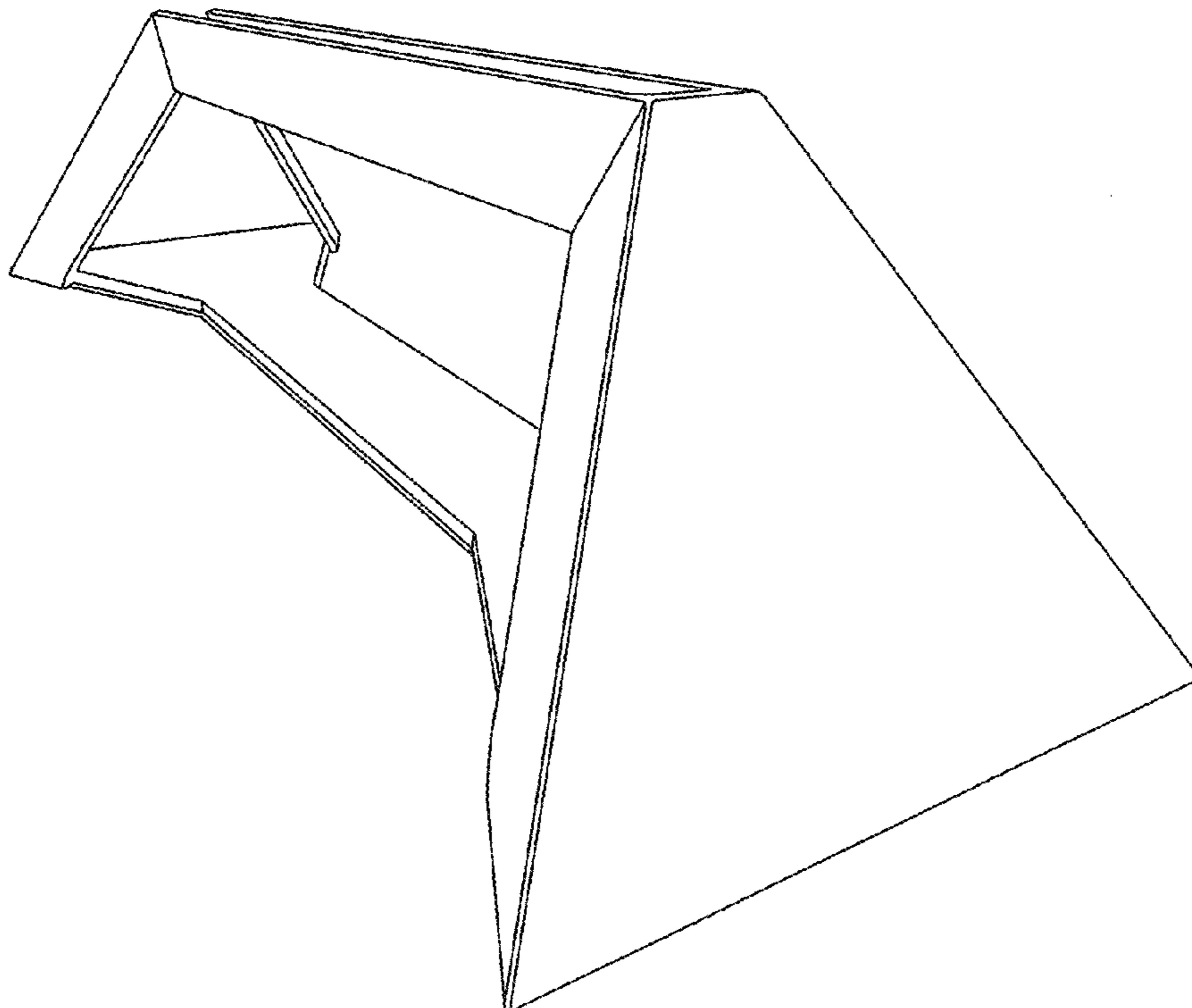
U.S. PATENT DOCUMENTS

D211,707 S * 7/1968 Tompsett D12/115
D260,248 S * 8/1981 Gallagher D12/115
D263,945 S * 4/1982 Voegeli D12/115
D264,325 S * 5/1982 Griswold D12/115
D268,488 S * 4/1983 Arnott D12/115
D278,616 S * 4/1985 Collison D12/115
D295,030 S * 4/1988 Wahl D12/115
D302,803 S * 8/1989 Villanueva D12/115
D328,882 S * 8/1992 Martinell D12/115
D353,353 S * 12/1994 Katsaros D12/115
D456,316 S * 4/2002 Will D12/115

DESCRIPTION

FIG. 1 is a front perspective view of a stand for a bicycle;
FIG. 2 is a rear perspective view of the stand for a bicycle;
FIG. 3 is a top view of the stand for a bicycle;
FIG. 4 is a right side view of the stand for a bicycle, the left side being a mirror image thereof;
FIG. 5 is a rear view of the stand for a bicycle; and,
FIG. 6 is a front view of the stand for a bicycle.

1 Claim, 6 Drawing Sheets



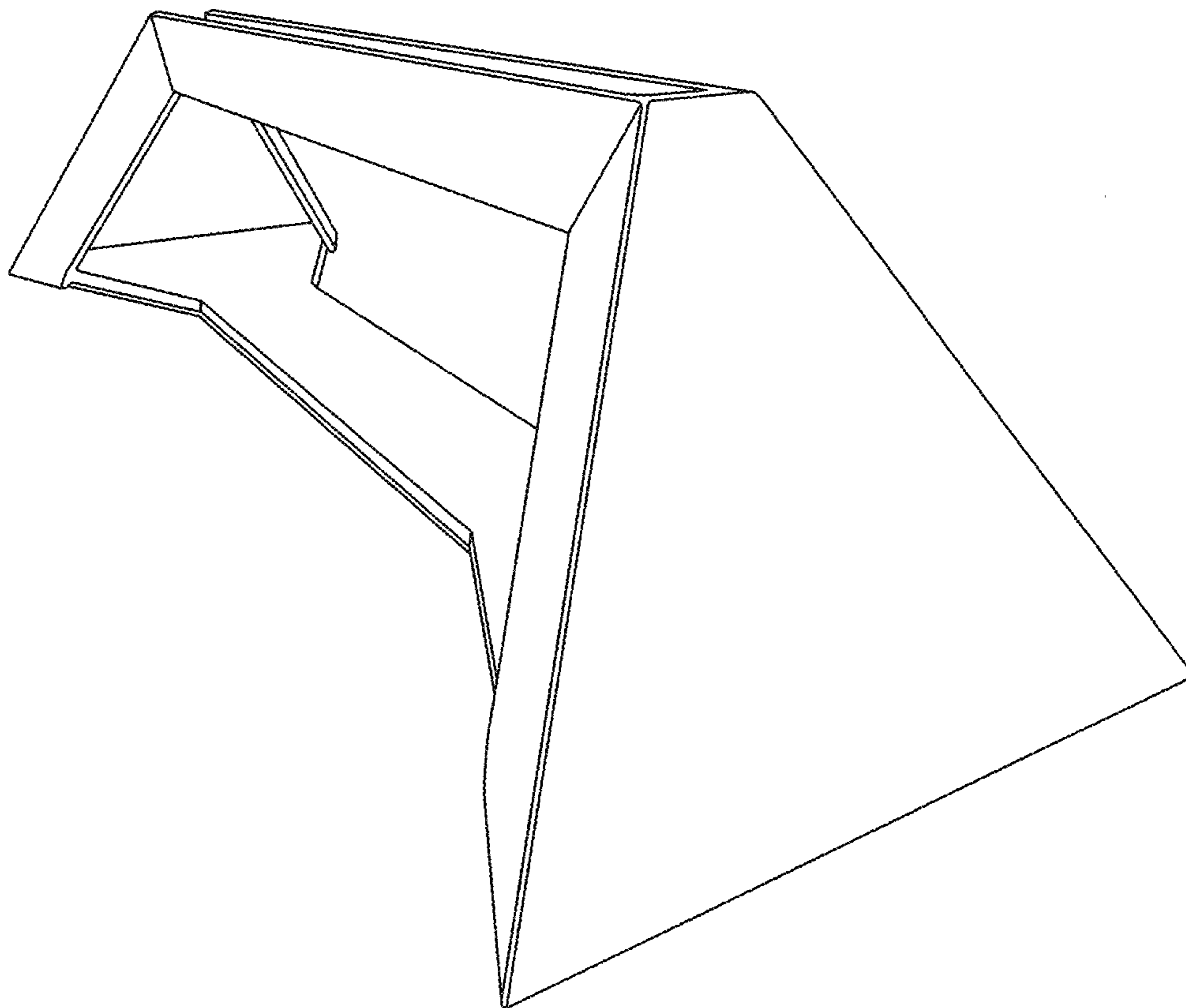


FIG. 1

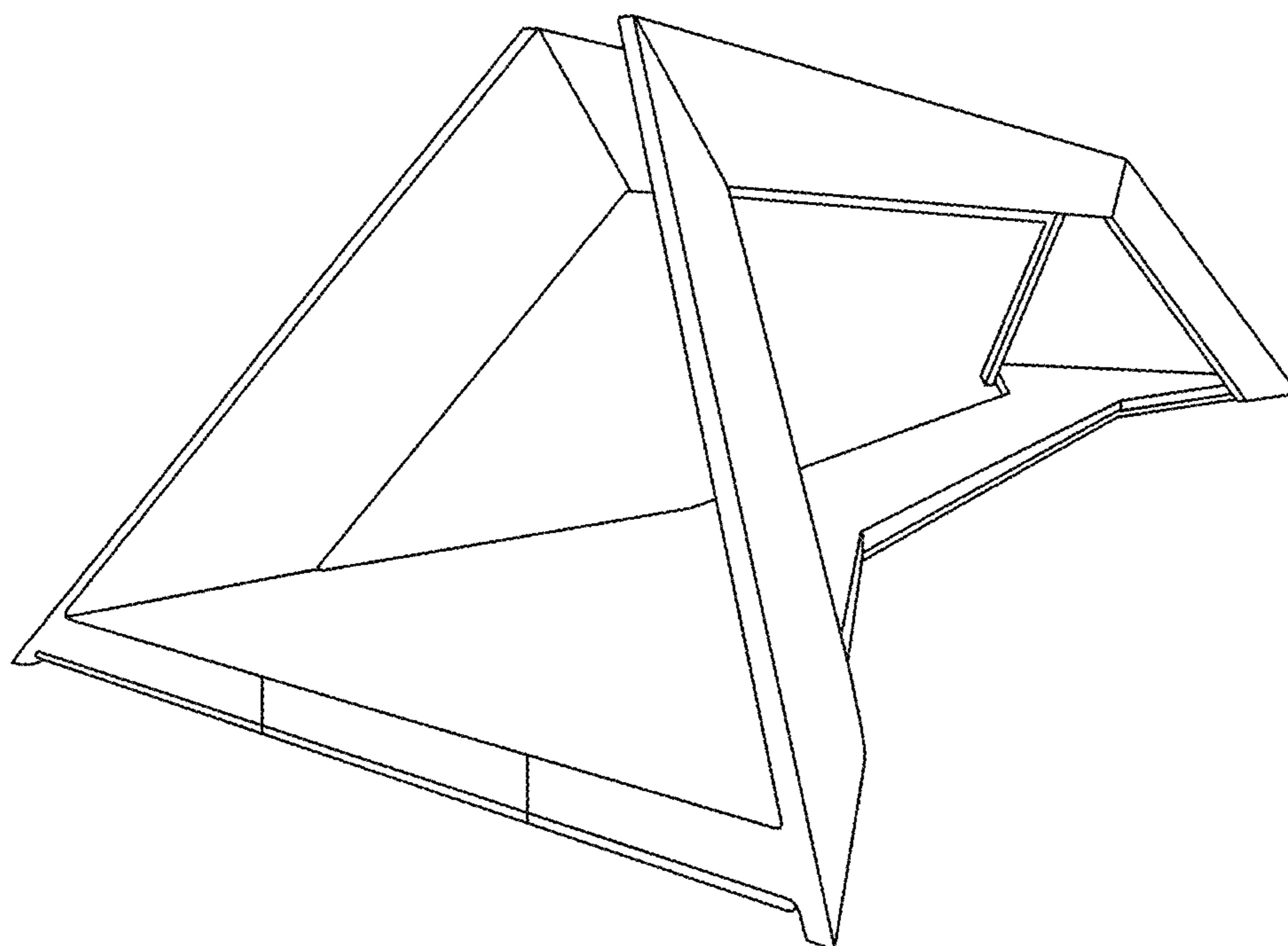


FIG. 2

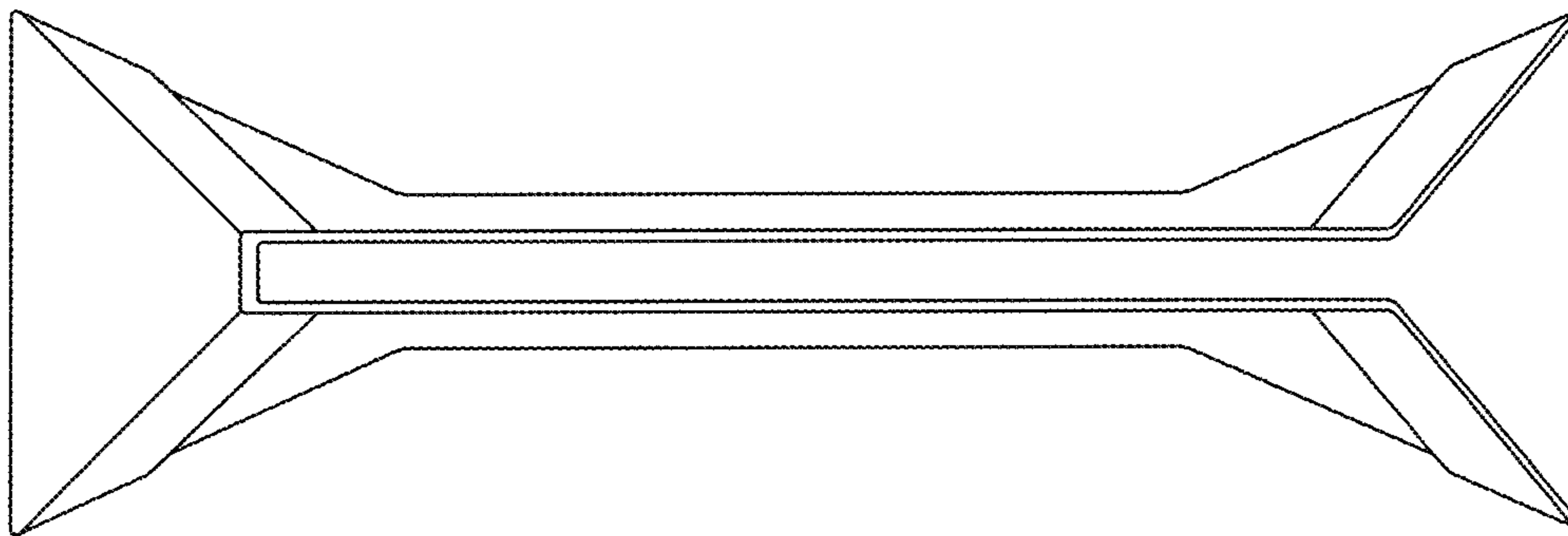


FIG. 3

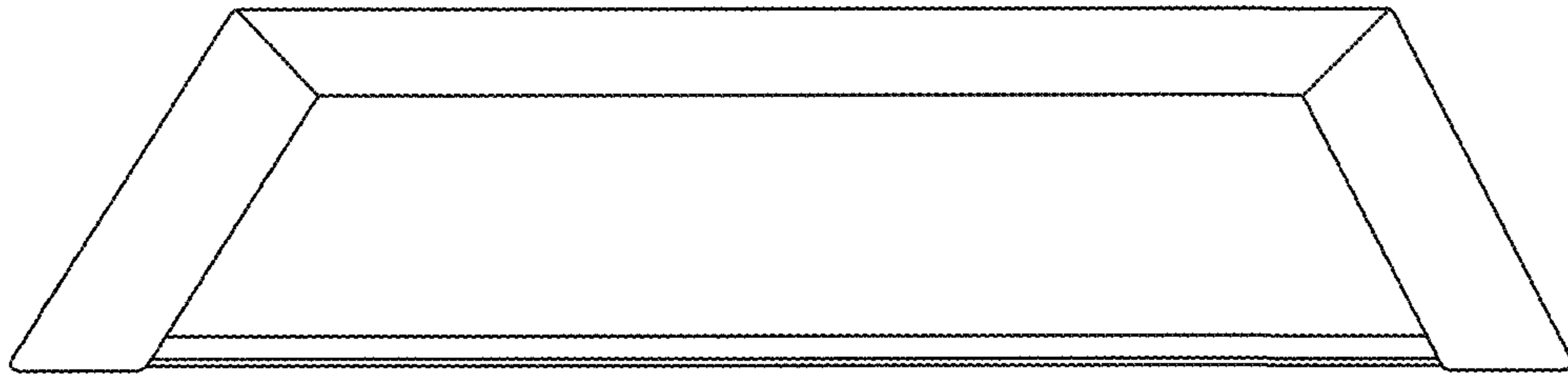


FIG. 4

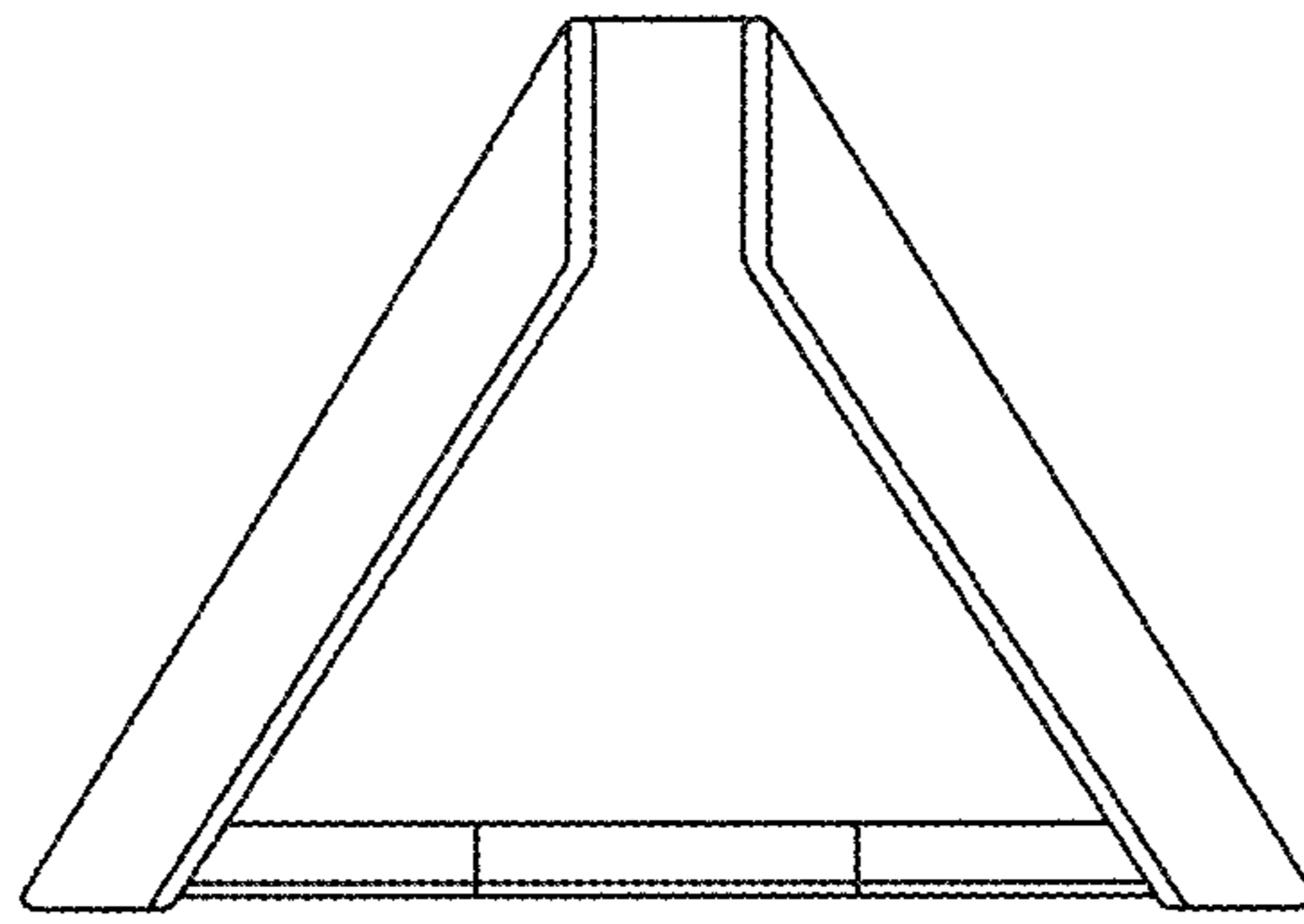


FIG. 5

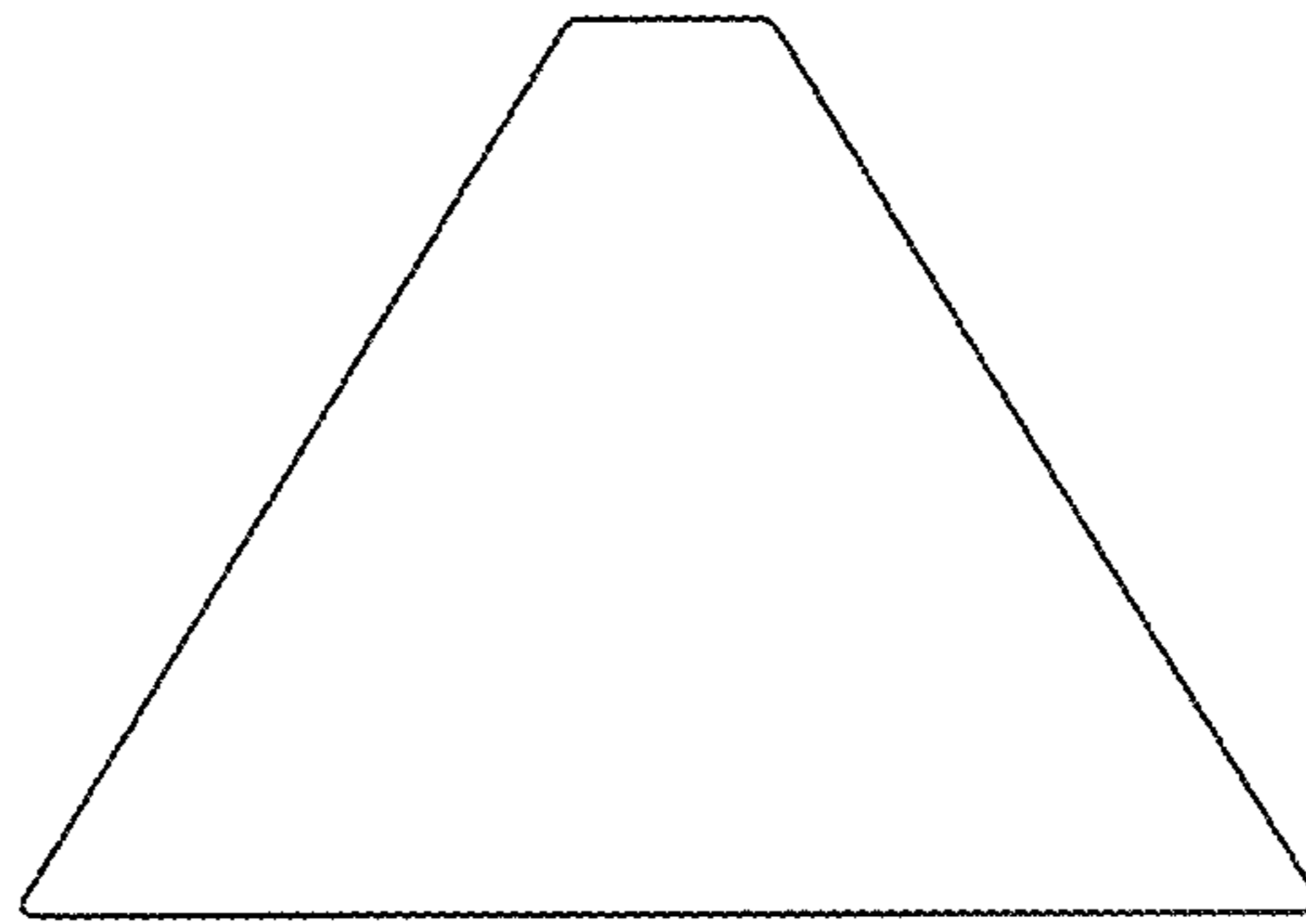


FIG. 6