



US00D938314S

(12) **United States Design Patent**
Gray et al.

(10) **Patent No.:** **US D938,314 S**

(45) **Date of Patent:** **** Dec. 14, 2021**

(54) **ELECTRIC CARGO BIKE**

D898,390 S * 10/2020 Radenbaugh D6/354
D903,532 S * 12/2020 Ma D12/111
D919,483 S * 5/2021 Uimonen D12/111

(71) Applicant: **Rad Power Bikes LLC**, Seattle, WA
(US)

(72) Inventors: **Joe Gray**, Seattle, WA (US); **Taubon Djamtorki**, Seattle, WA (US); **Mike Radenbaugh**, Seattle, WA (US)

(73) Assignee: **RAD POWER BIKES LLC**, Seattle, WA (US)

(**) Term: **15 Years**

(21) Appl. No.: **29/734,310**

(22) Filed: **May 11, 2020**

(51) **LOC (13) Cl.** **12-11**

(52) **U.S. Cl.**
USPC **D12/111**

(58) **Field of Classification Search**
USPC D12/111, 117; D21/412, 414, 419,
D21/423-428, 431-435
CPC B62K 3/00; B62K 3/02; B62K 3/06
See application file for complete search history.

(56) **References Cited**

U.S. PATENT DOCUMENTS

D586,702 S * 2/2009 Morris D12/111
D610,047 S * 2/2010 Uimonen D12/111
D620,401 S * 7/2010 Haller D12/111
D640,607 S * 6/2011 Schoonhoven D12/111
D644,962 S * 9/2011 Schoonhoven D12/111
D690,238 S * 9/2013 Uimonen D12/111
D828,232 S * 9/2018 Berkes D12/111
D842,761 S * 3/2019 Uimonen D12/111
D883,181 S * 5/2020 Uimonen D12/406
D886,686 S * 6/2020 Uimonen D12/111

OTHER PUBLICATIONS

“RadWagon 4Electric Cargo Bike” Rad Power Bikes., posted date Sep. 8, 2021 [online], [retrieved on Sep. 23, 2021]. Retrieved from the Internet <URL:https://www.radpowerbikes.com/collections/electric-bikes/products/radwagon-electric-cargo-bike> (Year: 2021).*
“Rad Power Bikes RadWagon 4 Spec Review—2021” Rad Power Bike., posted date Mar. 17, 2021 [online], [retrieved on Sep. 23, 2021]. Retrieved from the Internet <URL:https://www.bestelectricbikes.com/rad-power-bikes-radwagon-review/> (Year: 2021).*

(Continued)

Primary Examiner — Darlington Ly

Assistant Examiner — Nasim Abdulaziz Ali

(74) *Attorney, Agent, or Firm* — AMPACC Law Group, PLLC

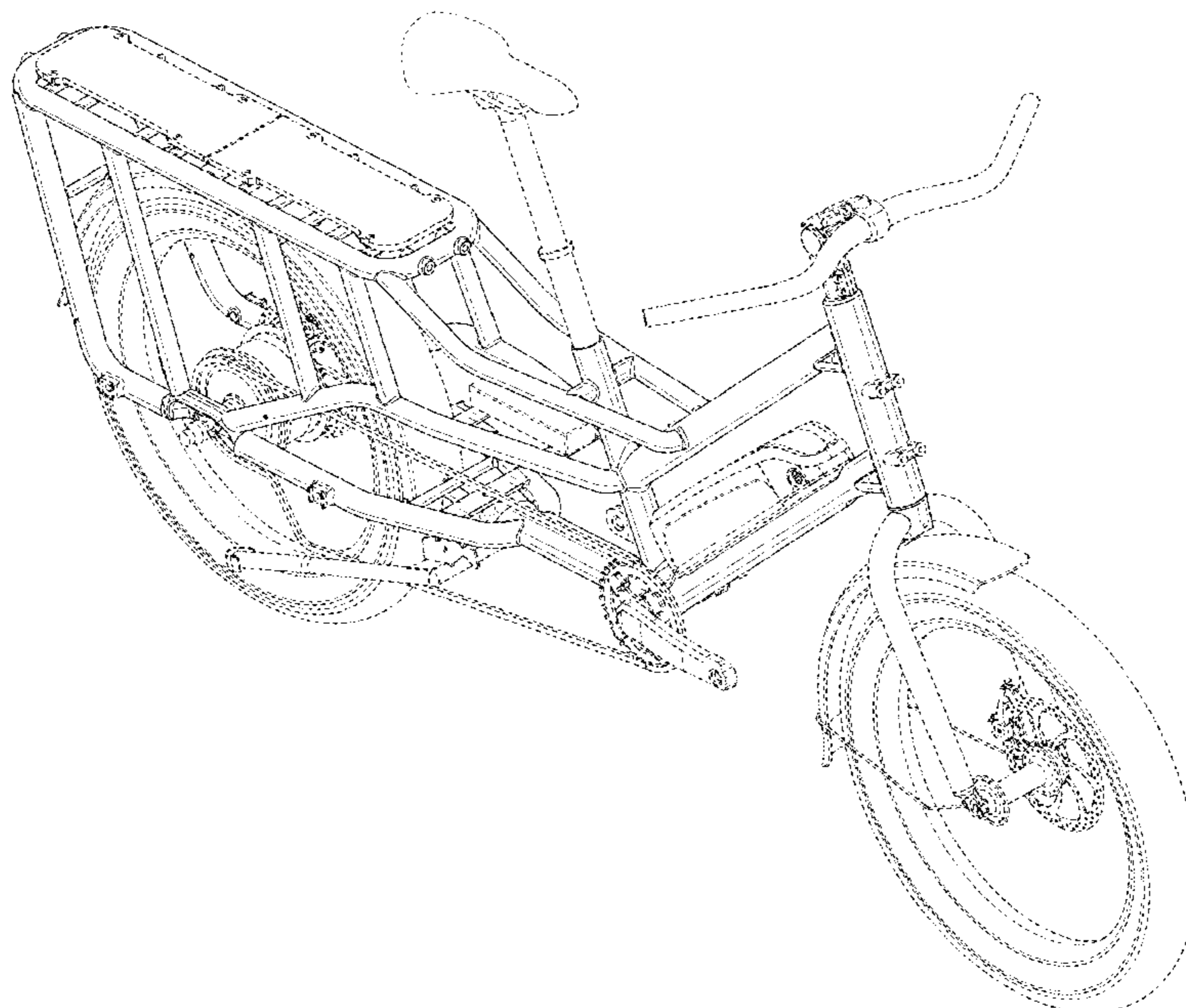
(57) **CLAIM**

The ornamental design for an electric cargo bike, as shown and described.

DESCRIPTION

FIG. 1 is a top, front and right side perspective view of the electric cargo bike embodying our new design;
FIG. 2 is a front elevation view thereof;
FIG. 3 is a rear elevation view of thereof;
FIG. 4 is a right side elevation view thereof;
FIG. 5 is a left side elevation view thereof;
FIG. 6 is a top plan view thereof; and,
FIG. 7 is a bottom plan view thereof.
The broken lines in the figures show portions of the electric cargo bike and environment that form no part of the claimed design.

1 Claim, 7 Drawing Sheets



(56)

References Cited

OTHER PUBLICATIONS

“The Rad Power Bikes RadWagon” RadWagon., posted date Aug. 19, 2019 [online], [retrieved on Sep. 23, 2021]. Retrieved from the Internet <URL:<https://www.bicycling.com/bikes-gear/a28690498/rad-power-bikes-radwagon-review/>> (Year: 2019).*

“Packa Genie” BLIX., posted date Dec. 17, 2019 [online], [retrieved on Sep. 23, 2021]. Retrieved from the Internet <URL: <https://blixbike.com/products/packa-electric-cargo-bike>> (Year: 2019).*

* cited by examiner

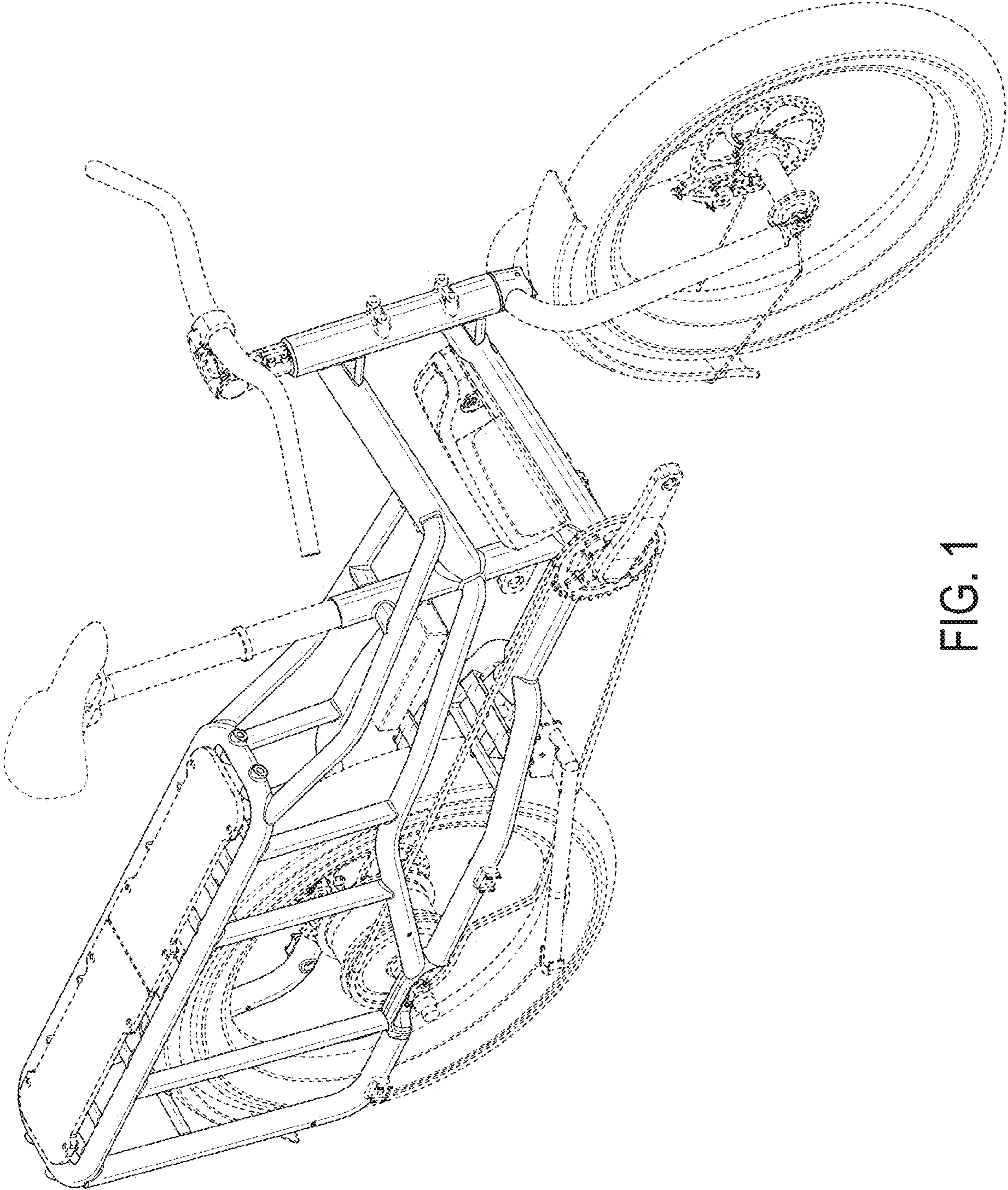


FIG. 1

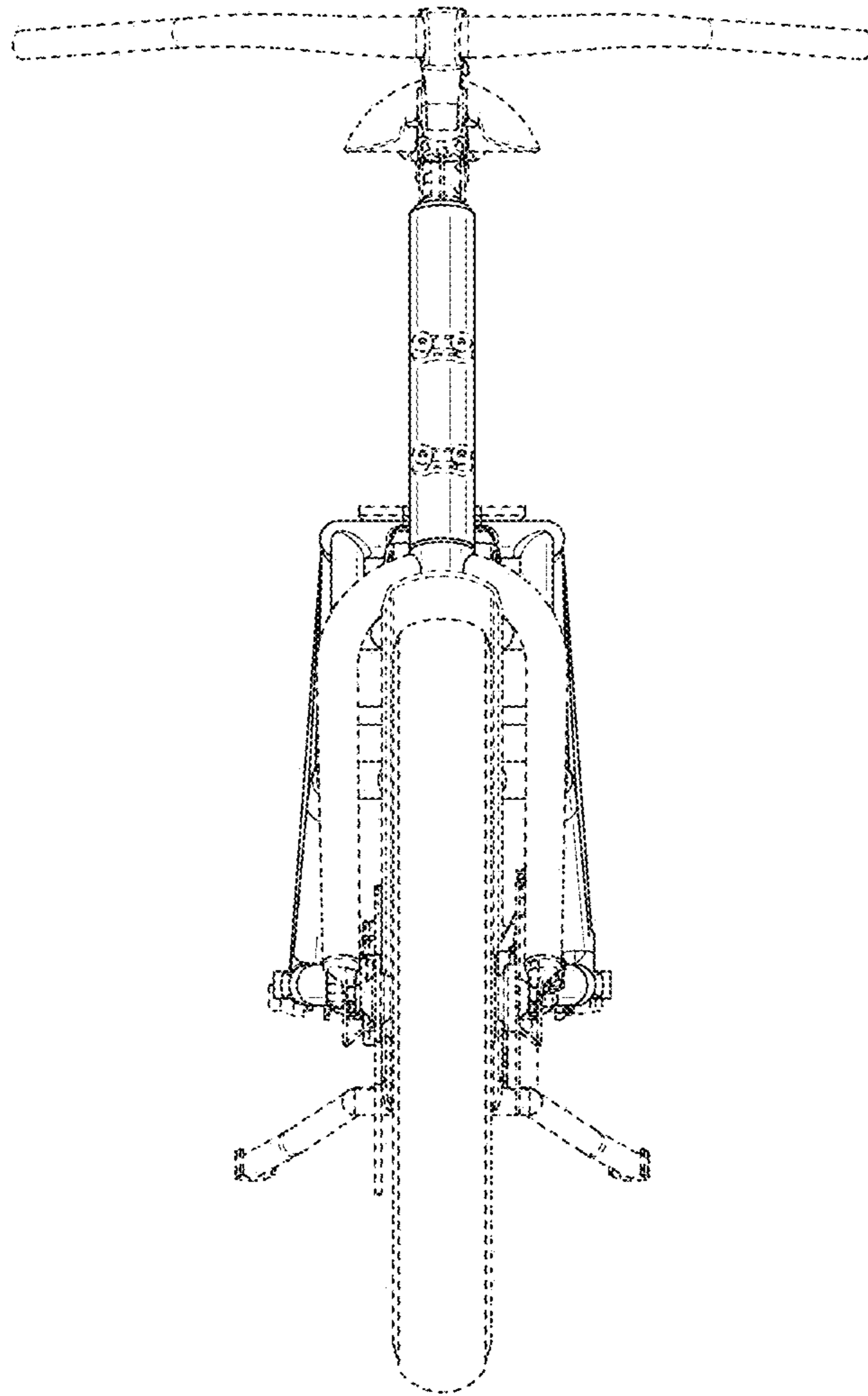


FIG. 2

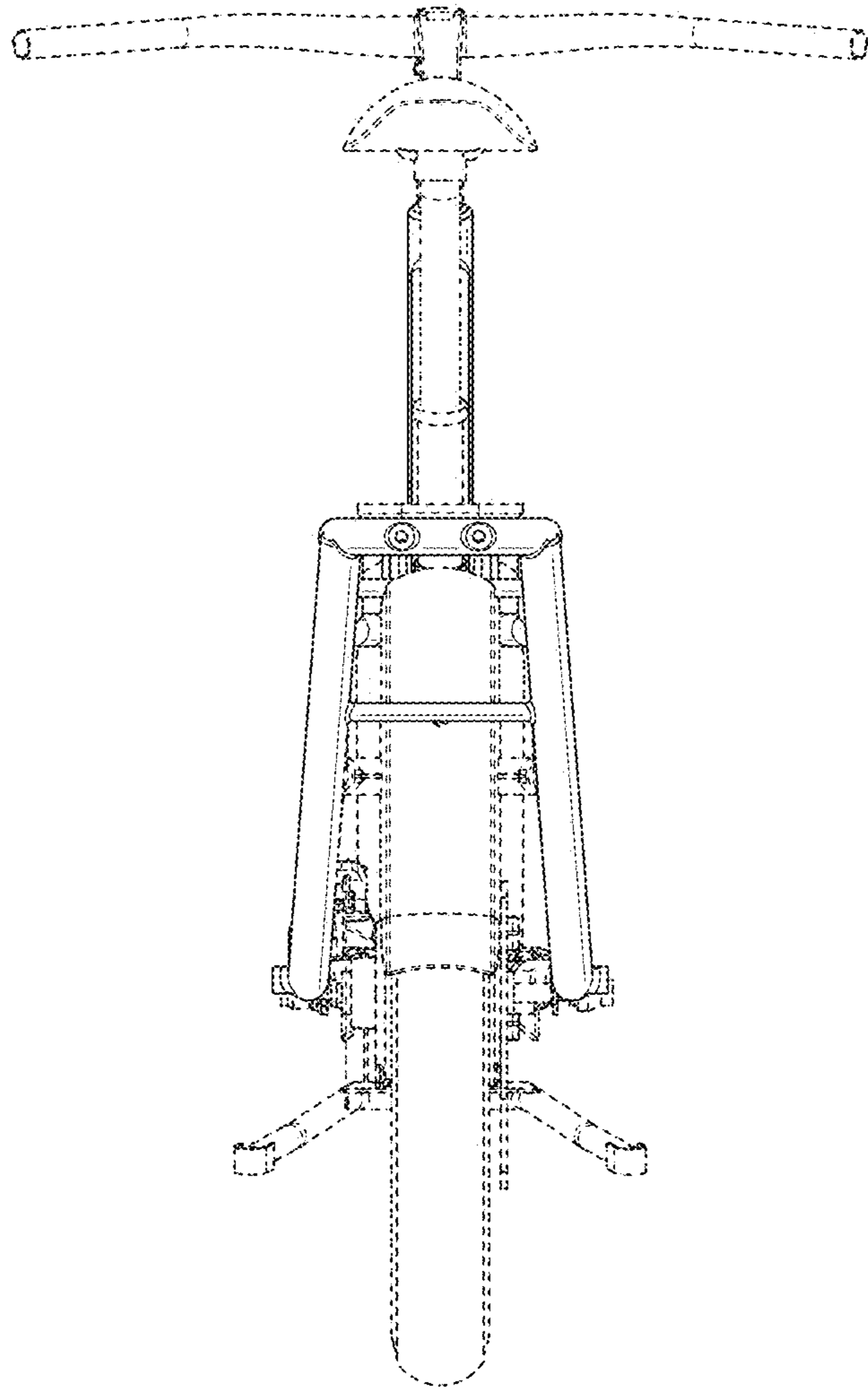


FIG. 3

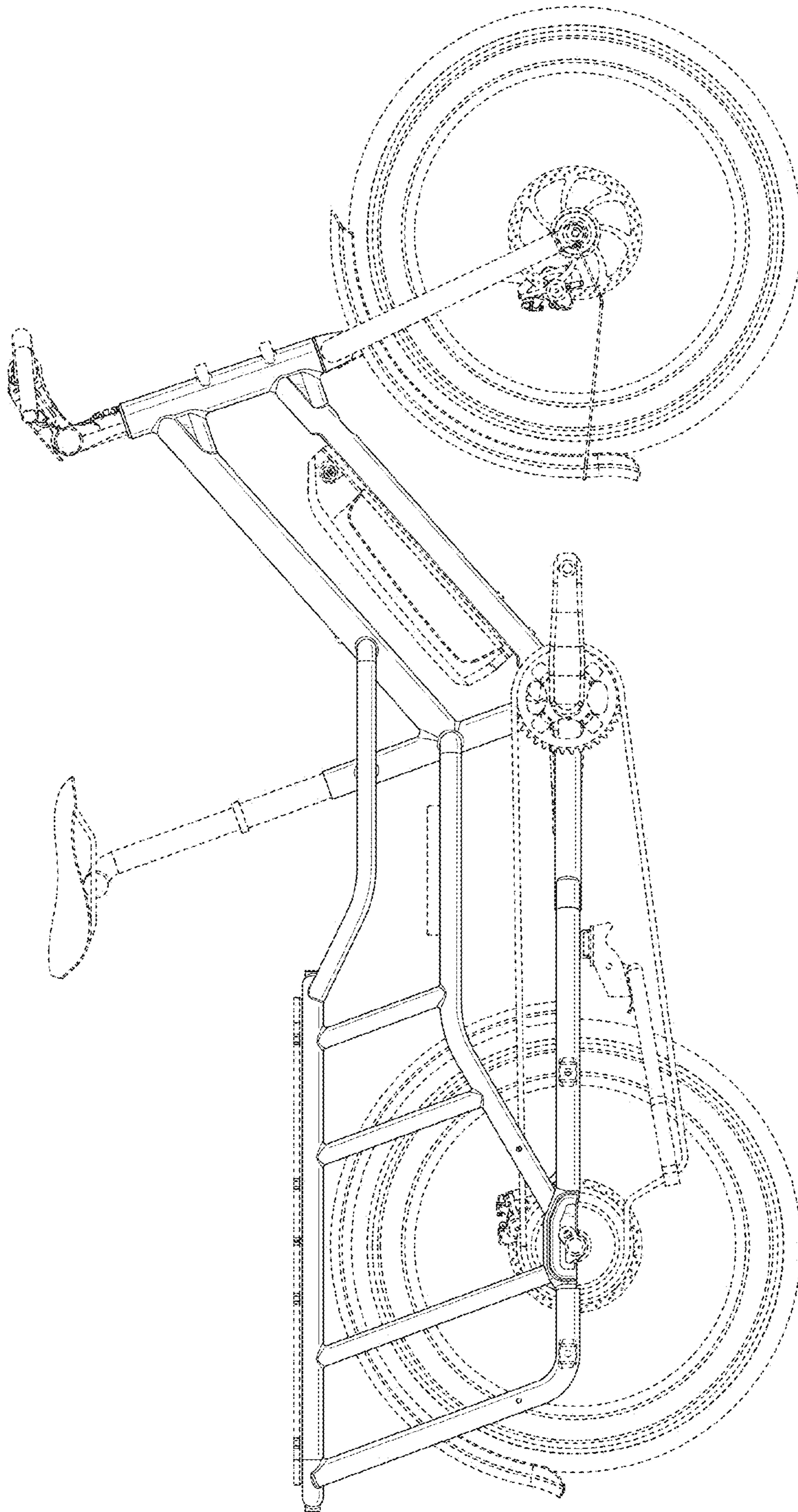


FIG. 4

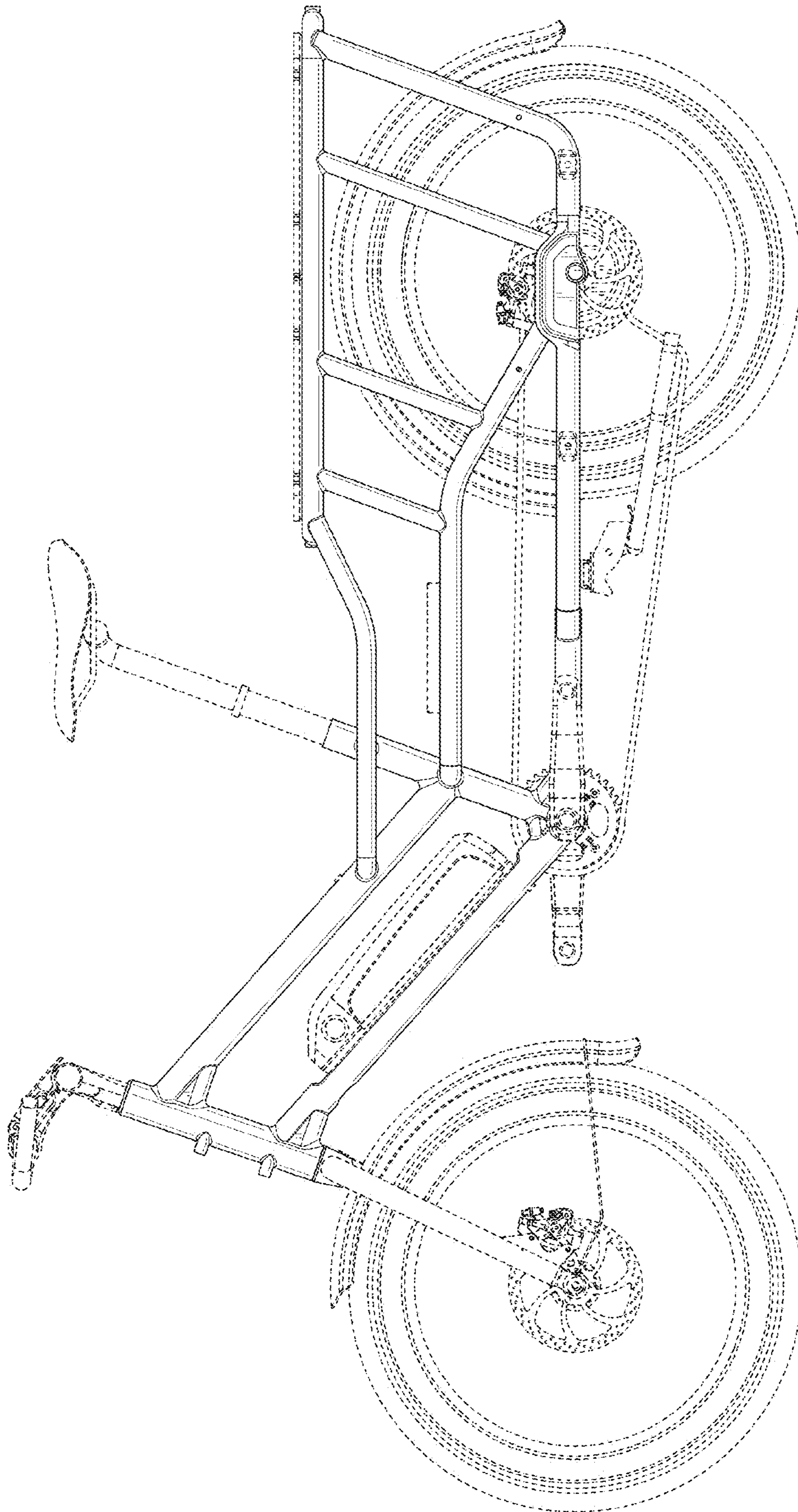


FIG. 5

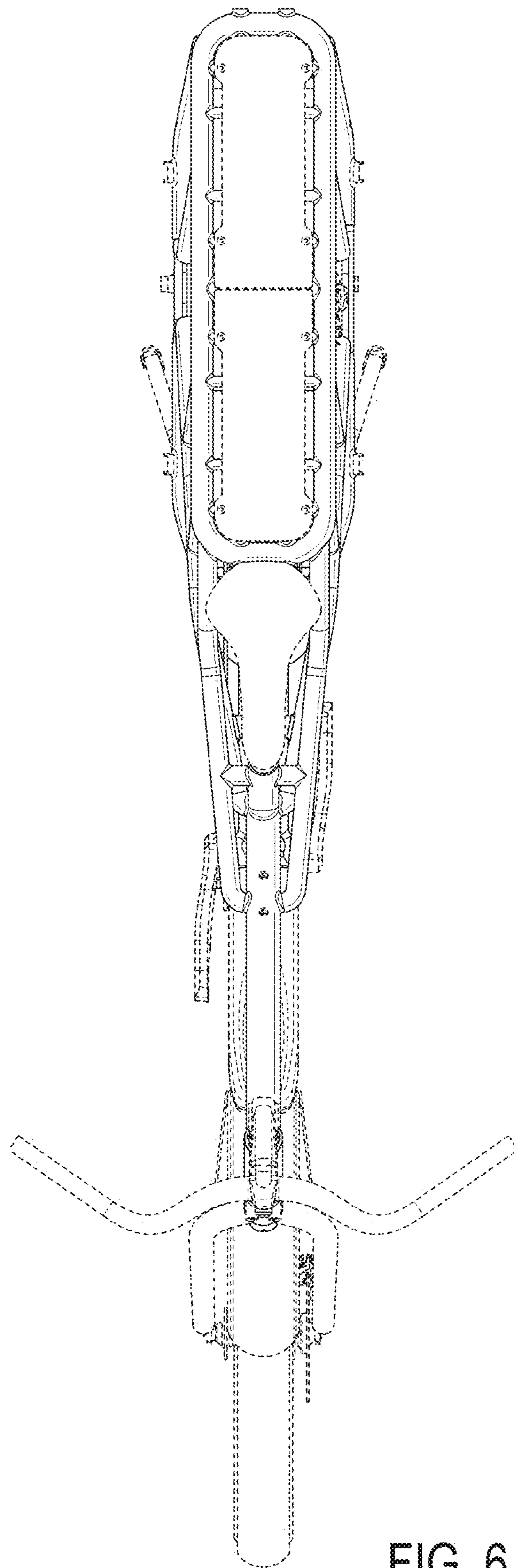


FIG. 6

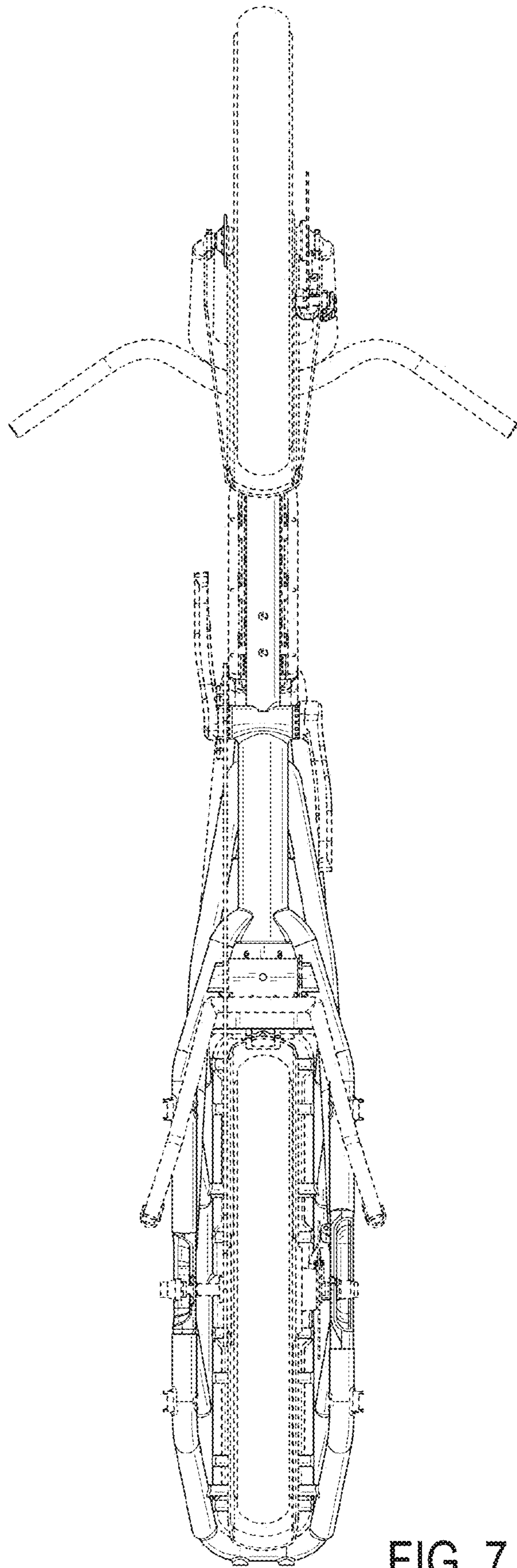


FIG. 7