



US00D938313S

(12) **United States Design Patent** (10) **Patent No.:** **US D938,313 S**
Zahner et al. (45) **Date of Patent:** **** Dec. 14, 2021**

(54) **ELECTRIC BIKE**
(71) Applicant: **ZOOZ BIKES LLC**, Forth Worth, TX (US)

D901,336 S * 11/2020 Kuehne D12/111
D910,496 S * 2/2021 Zhu D12/111
D915,244 S * 4/2021 Chen D12/111

(72) Inventors: **Christopher Zahner**, New Rochelle, NY (US); **Peter Kelly**, Tustin, CA (US)
(73) Assignee: **ZOOZ BIKES LLC**, Fort Worth, TX (US)

OTHER PUBLICATIONS

“The Urban Ultralight” Zooz Bikes., posted date Nov. 17, 2019 [online], [retrieved on May 5, 2021]. Retrieved from the Internet <<https://zoozbikes.com/collections/frontpage/>> (Year: 2019).*
“NCM Prague Electric Mountain Bike” Leon Cycle., posted date Nov. 27, 2019 [online], [retrieved on May 5, 2021]. Retrieved from the Internet <<https://www.leoncycle.com/ncm-prague-electric-mountain-bikes-usa/>> (Year: 2019).*
“Electric Cruiser Bikes” Evelo., posted date Nov. 21, 2014 [online], [retrieved on May 5, 2021]. Retrieved from the Internet <<https://evelo.com/pages/shop-electric-bikes/>> (Year: 2014).*

(**) Term: **15 Years**
(21) Appl. No.: **29/719,898**

(22) Filed: **Jan. 8, 2020**

(51) **LOC (13) Cl.** **12-11**

(52) **U.S. Cl.**
USPC **D12/111**

(58) **Field of Classification Search**
USPC D12/111, 117; D21/412, 414, 419, D21/423-428
CPC . B62K 3/00; B62K 3/005; B62K 9/00; B62K 19/00; B62K 19/02; B62K 19/04; B62K 19/06; B62K 19/16
See application file for complete search history.

* cited by examiner

Primary Examiner — Darlington Ly
Assistant Examiner — Nasim Abdulaziz Ali
(74) *Attorney, Agent, or Firm* — Workman Nydegger

(57) **CLAIM**

The ornamental design for an electric bike, as shown and described.

DESCRIPTION

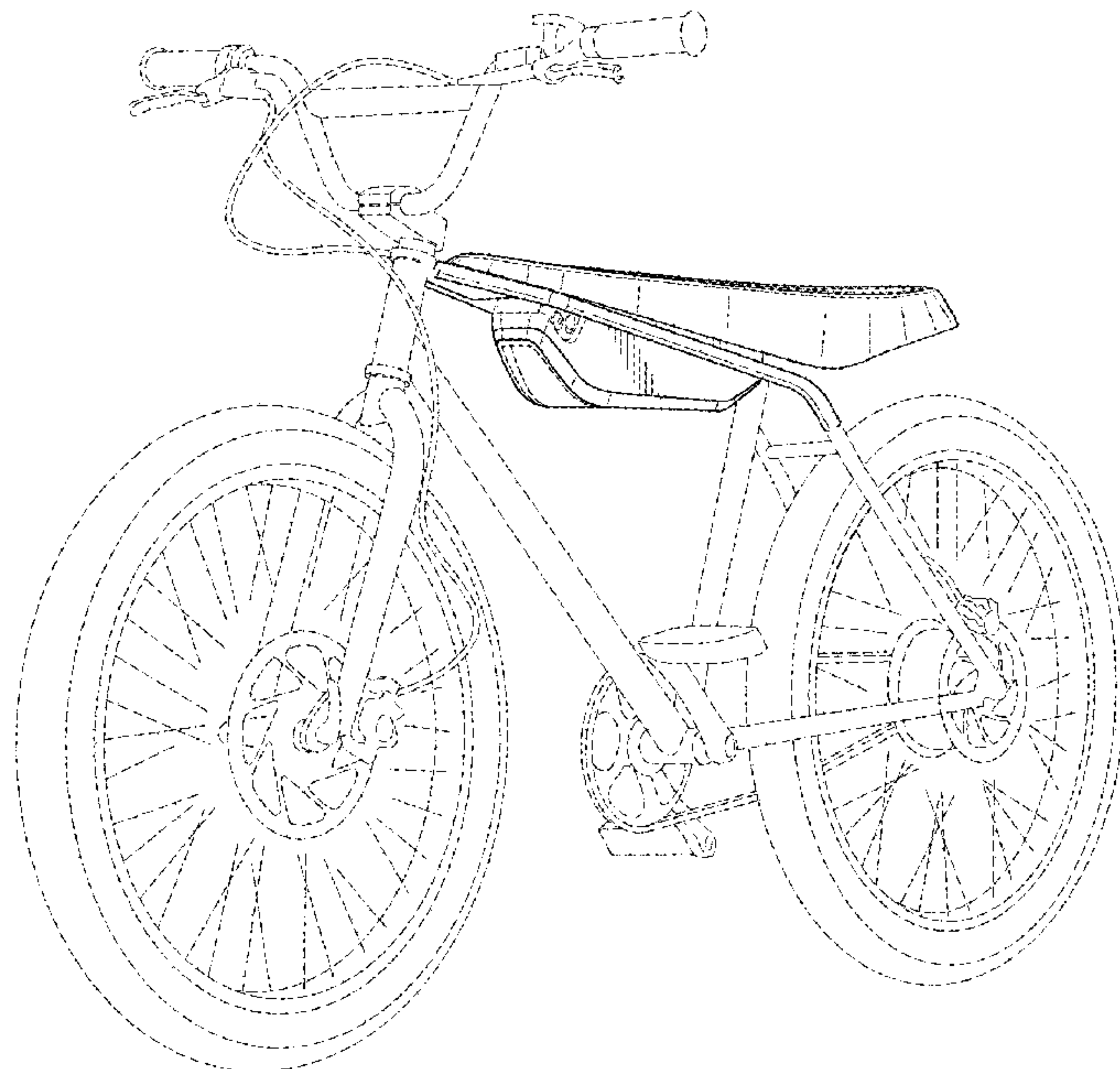
FIG. 1 is a front and left side perspective view of an electric bike embodying our new design;
FIG. 2 is a front and right side perspective view thereof;
FIG. 3 is a top plan view thereof;
FIG. 4 is a front elevational view thereof;
FIG. 5 is a left side elevational view thereof; and,
FIG. 6 is a right side elevational view thereof.
The broken lines in the drawings illustrate portions of the electric bike that form no part of the claimed design.

(56) **References Cited**

U.S. PATENT DOCUMENTS

D306,378 S * 3/1990 Bernardi D6/354
D324,837 S * 3/1992 Allsop D12/119
D504,846 S * 5/2005 Sramek D12/111
D620,400 S * 7/2010 Haller D12/111
D620,401 S * 7/2010 Haller D12/111
D640,879 S * 7/2011 Curran D6/354
D764,411 S * 8/2016 Sondors D13/119
D876,991 S * 3/2020 Tsai D12/111
D896,130 S * 9/2020 Quan D12/110
D899,118 S * 10/2020 Supowitz D6/354

1 Claim, 4 Drawing Sheets



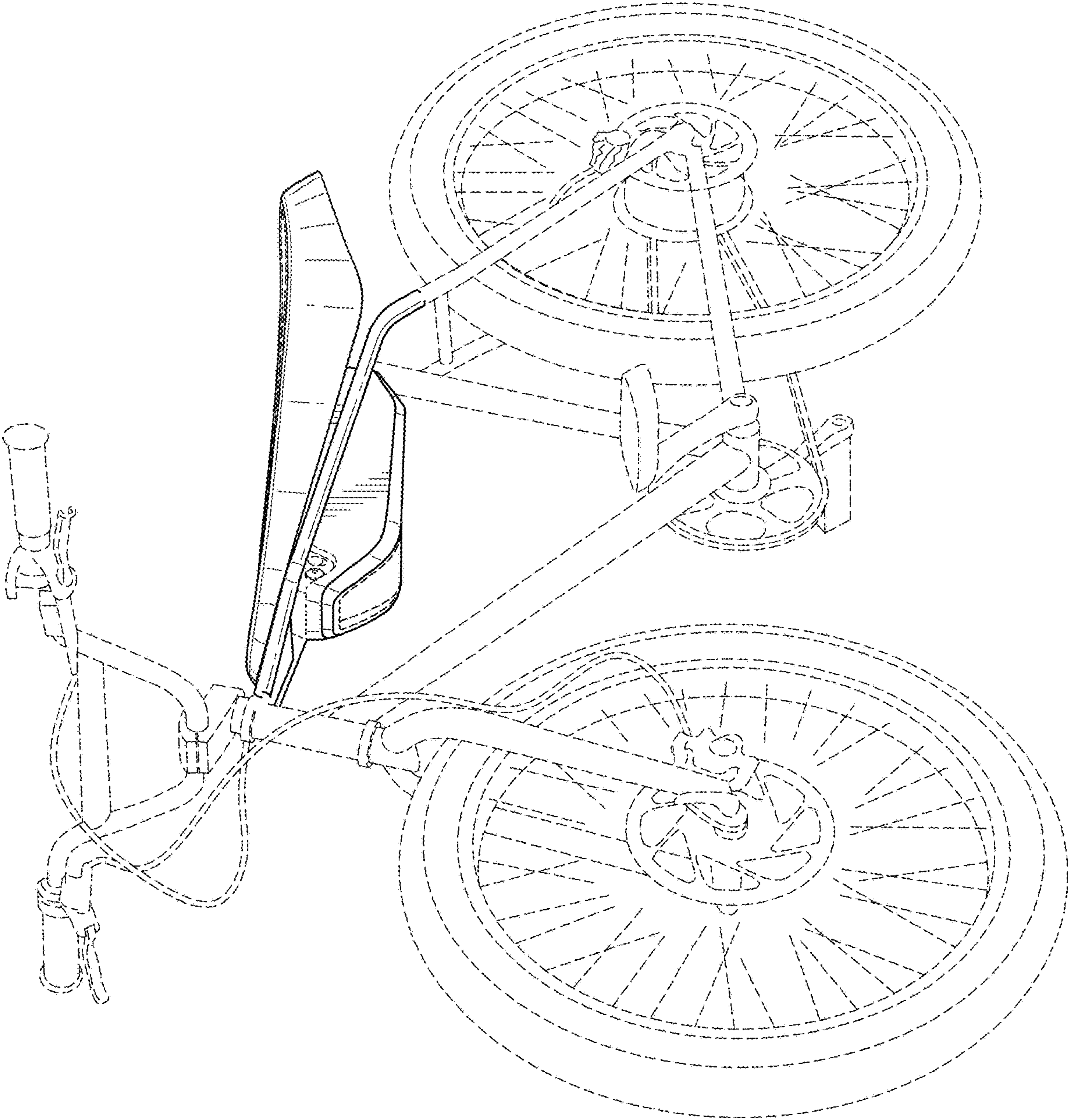


FIG. 1

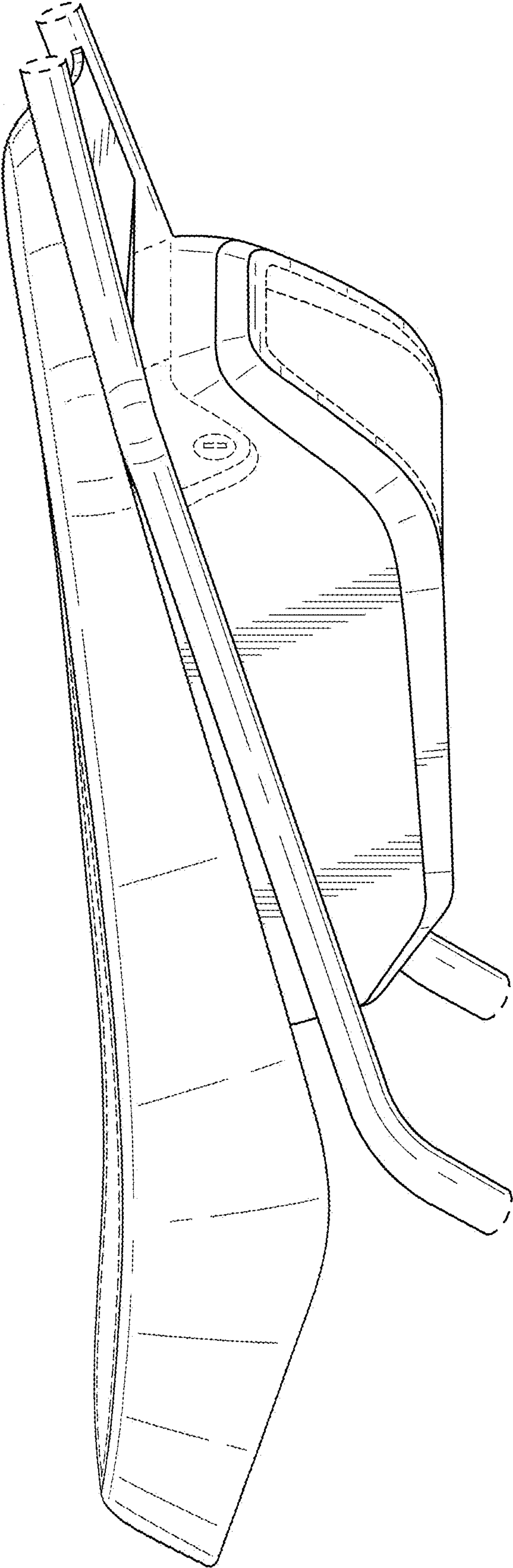


FIG. 2

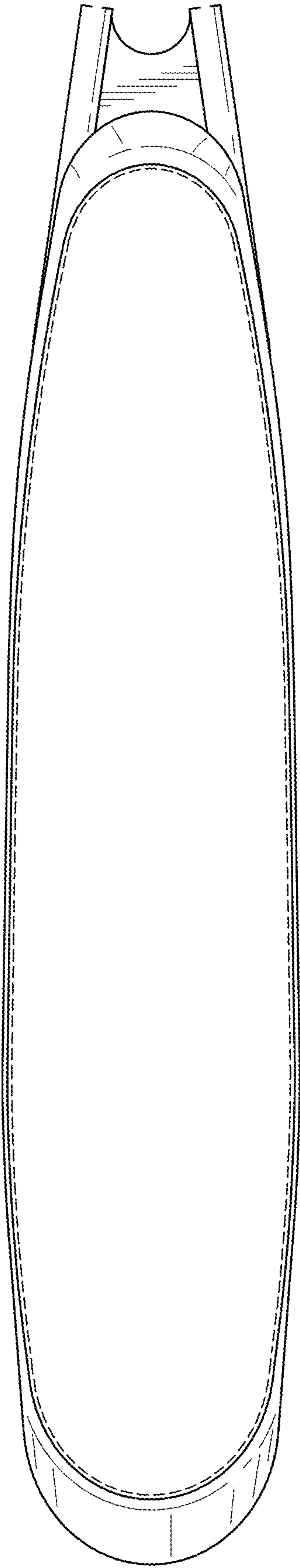


FIG. 3

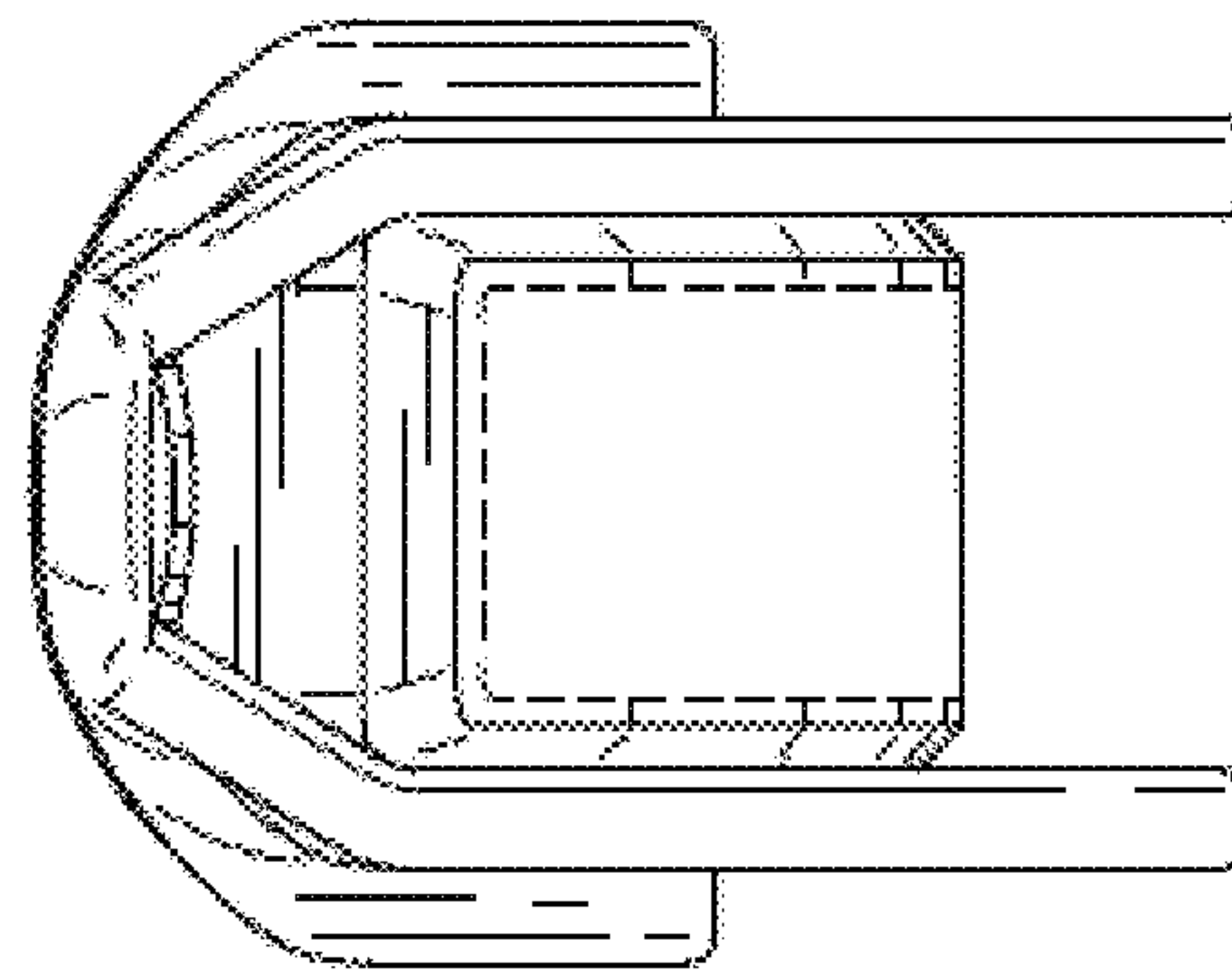


FIG. 4

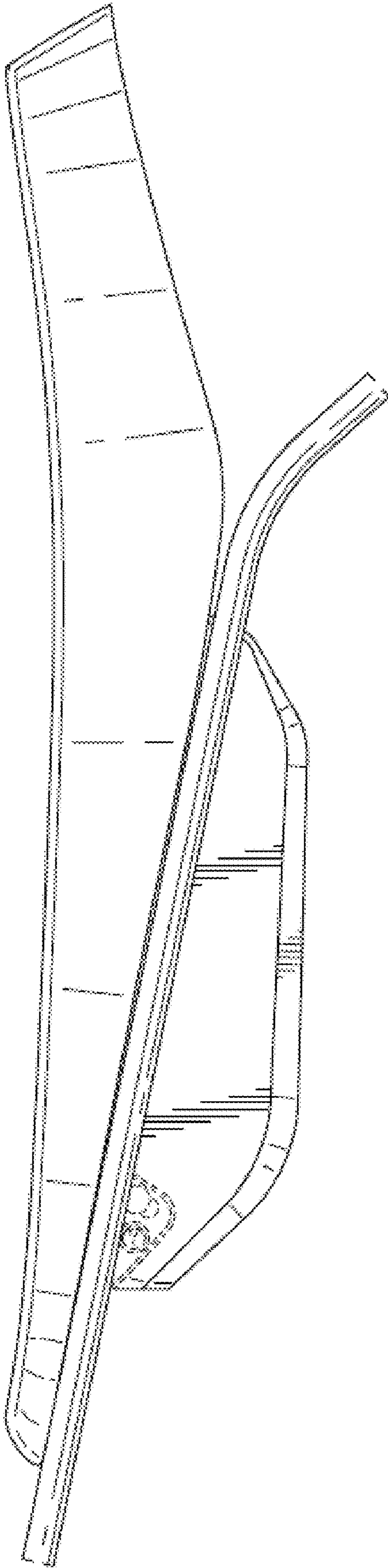


FIG. 5

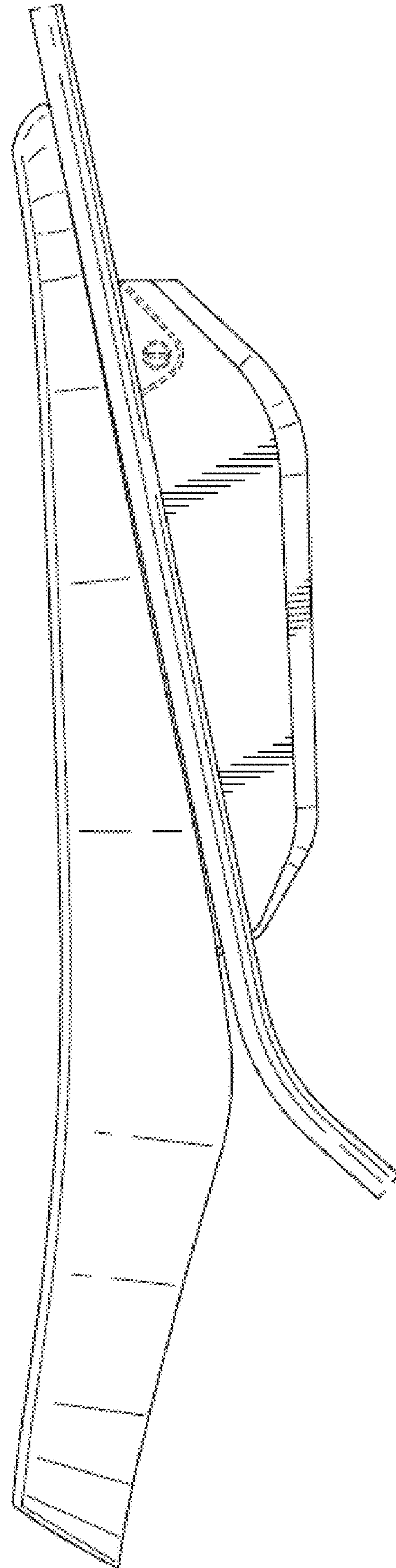


FIG. 6