

US00D938311S

(12) **United States Design Patent** (10) **Patent No.:** **US D938,311 S**
Kanczuzewski et al. (45) **Date of Patent:** **** Dec. 14, 2021**

(54) **CARGO RESTRAINT DEVICE**
(71) Applicant: **LOGISTICK, INC.**, South Bend, IN (US)
(72) Inventors: **Nicholas Kanczuzewski**, South Bend, IN (US); **John E. Townsend**, Paw Paw, IN (US); **Jason Ramtahal**, Berrien Springs, MI (US)
(73) Assignee: **LOGISTICK, INC.**, South Bend, IN (US)

2,468,101 A 4/1949 Nampa
2,468,104 A 4/1949 Phillips
2,697,631 A 12/1954 Miller
2,752,864 A 7/1956 McDougal, Sr. et al.
2,766,704 A 10/1956 McMahan
2,845,245 A 5/1958 Gray et al.
2,905,107 A 9/1959 Nichol
2,912,939 A 11/1959 Miner, Jr. et al.
2,980,037 A 4/1961 Elsner
2,993,708 A 7/1961 Holman, Jr.
3,075,478 A 1/1963 Elsner

(Continued)

FOREIGN PATENT DOCUMENTS

(**) Term: **15 Years**

GB 1209255 10/1970

(21) Appl. No.: **29/736,737**

Primary Examiner — Katrina A Betton

(22) Filed: **Jun. 2, 2020**

(74) *Attorney, Agent, or Firm* — Barnes & Thornburg LLP

(51) **LOC (13) Cl.** **12-16**

(52) **U.S. Cl.**
USPC **D12/106**

(58) **Field of Classification Search**
USPC D12/401-404; D6/610-611, 552; D3/304-306

CPC B60R 9/00; B60R 9/02; B60R 9/04; B60R 9/08; B60R 9/042; B60R 9/0423; B60R 9/0426; B60R 9/045; B60R 9/048; B60R 9/0485; B60R 9/05; B60R 9/052; B60R 9/055; B60R 9/058; B60R 9/06; B60R 9/065; B60R 9/10; B60R 9/12

See application file for complete search history.

(57) **CLAIM**

We claim the ornamental design for a cargo restraint device, as shown and described.

DESCRIPTION

FIG. 1 is an upper perspective view of a cargo restraint device in accordance with our new design;
FIG. 2 is a left-side elevation view of the cargo restraint device of FIG. 1;
FIG. 3 is a right-side elevation view of the cargo restraint device of FIG. 1;
FIG. 4 is a rear elevation view of the cargo restraint device of FIG. 1;
FIG. 5 is a front elevation view of the cargo restraint device of FIG. 1;
FIG. 6 is a top plan view of the cargo restraint device of FIG. 1; and
FIG. 7 is a bottom plan view of the cargo restraint device of FIG. 1.

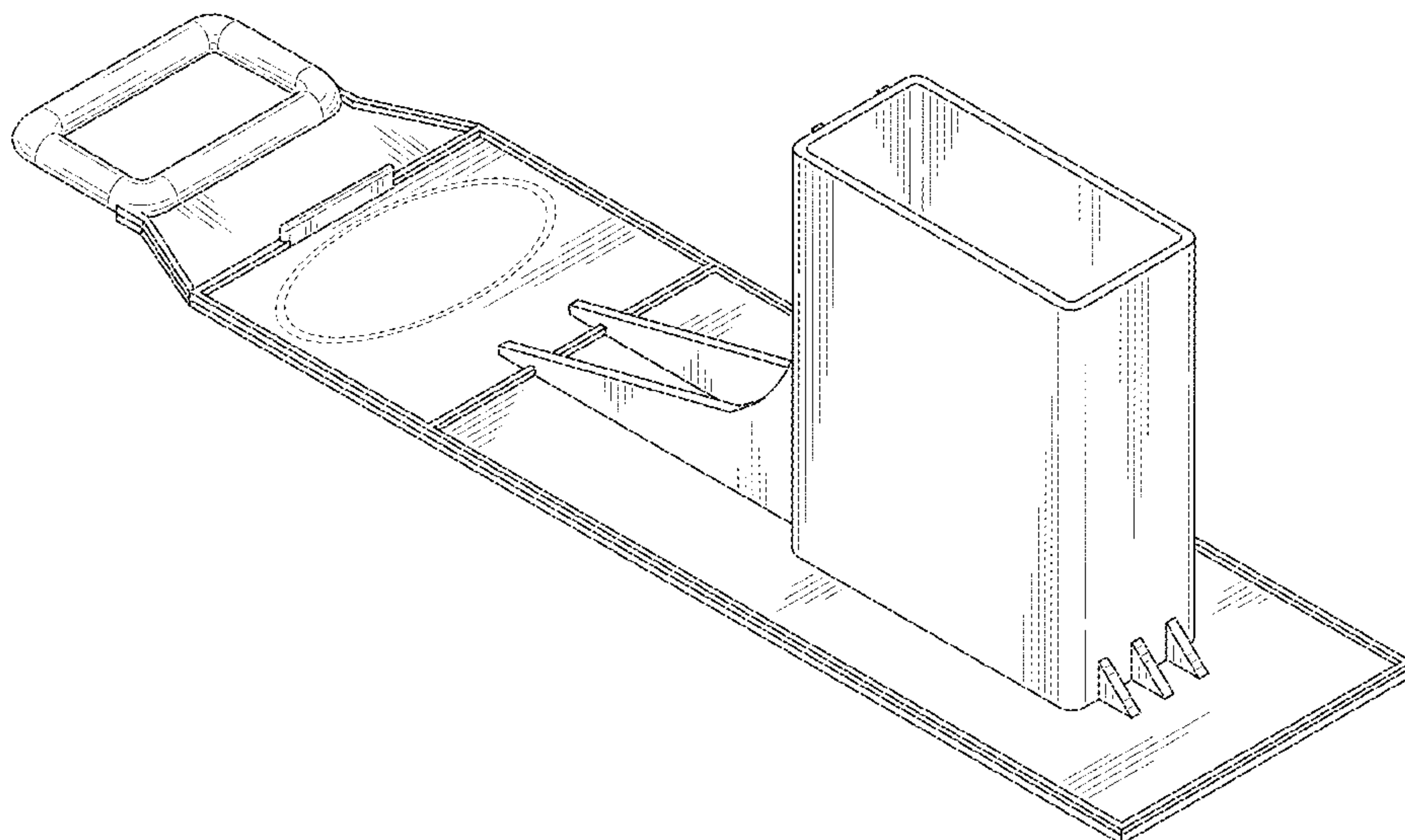
The broken lines depict portions of the cargo restraint device that form no part of the claimed design.

(56) **References Cited**

U.S. PATENT DOCUMENTS

969,002 A 8/1910 Teachout
1,238,874 A 9/1917 Biela
1,401,419 A 12/1921 McNally
1,951,660 A 3/1934 Klautdt
2,124,082 A 7/1938 Reifer
2,414,160 A 1/1947 Moon
2,464,080 A 3/1949 Hankins
2,467,681 A 4/1949 McKinney

1 Claim, 4 Drawing Sheets



(56)

References Cited

U.S. PATENT DOCUMENTS

3,090,600 A	5/1963	Smith	6,068,228 A	5/2000	Kobayashi et al.
3,177,007 A	4/1965	Oren	D426,512 S	6/2000	Ciuba
3,344,750 A	10/1967	Kostrewa	6,074,143 A	6/2000	Langston et al.
3,367,286 A	2/1968	Jantzen	6,086,299 A	7/2000	Kanczuzewski
3,559,591 A	2/1971	Breen et al.	6,106,205 A	8/2000	Haire
3,590,746 A	7/1971	Gibson	D434,369 S	11/2000	Matthies
3,712,663 A	1/1973	Laven	D438,022 S	2/2001	Bunn
D232,821 S	9/1974	Fry	D450,291 S	11/2001	Wang
3,836,174 A	9/1974	Holman, Jr.	D453,869 S	2/2002	Schultz et al.
3,995,565 A	12/1976	Kersey	D458,210 S	6/2002	Kanczuzewski et al.
D244,268 S *	5/1977	Hinch D12/412	6,419,434 B1	7/2002	Rahn
4,026,508 A	5/1977	Ziegler	6,431,804 B1	8/2002	Wetzig, III
4,080,906 A	3/1978	Brown	D462,310 S	9/2002	Kanczuzewski et al.
D248,228 S	6/1978	Robertson	6,454,501 B1	9/2002	Parker
4,264,251 A	4/1981	Blatt	6,533,513 B2	3/2003	Kanczuzewski et al.
4,278,376 A	7/1981	Hunter	6,572,063 B1	6/2003	Gitelman et al.
4,396,325 A	8/1983	Joice-Cavanagh	D478,857 S	8/2003	Petersen et al.
4,432,678 A	2/1984	Liebel	6,607,338 B2	8/2003	Lemke
4,473,225 A	9/1984	Miller	6,851,652 B1	2/2005	Huang
4,498,824 A	2/1985	Kinkle	6,874,982 B2	4/2005	Rhodes
4,616,757 A	10/1986	Hobson	D506,076 S	6/2005	Weisgerber
4,700,918 A	10/1987	Andrasko, Jr.	6,942,004 B2	9/2005	Whitemore
4,718,584 A	1/1988	Schoeny	7,037,055 B1	5/2006	Rogers et al.
D294,340 S	2/1988	Robson	7,134,820 B2	11/2006	Ehrlich
4,735,468 A	4/1988	Taylor, Jr. et al.	D537,405 S	2/2007	Saward
4,756,498 A	7/1988	Frye	7,334,973 B2	2/2008	Scott
4,801,228 A	1/1989	Van Gompel	7,356,888 B2	4/2008	Chao et al.
4,830,558 A	5/1989	Sweeney	D571,279 S	6/2008	Trusty et al.
4,846,610 A	7/1989	Schoenleben	D589,709 S	4/2009	Edwards
4,880,342 A	11/1989	Pradovic	7,628,572 B2	12/2009	Kanczuzewski et al.
D306,003 S *	2/1990	Berkan, Jr. D12/414	7,713,008 B2	5/2010	Kanczuzewski et al.
4,932,817 A	6/1990	Mattare	7,785,051 B2	8/2010	Kanczuzewski et al.
4,955,771 A	9/1990	Bott	7,785,052 B2	8/2010	Kanczuzewski et al.
4,962,907 A	10/1990	Gary	7,817,922 B2	10/2010	Cho et al.
D312,604 S	12/1990	Barnes et al.	D633,030 S	2/2011	Robertson
4,982,922 A	1/1991	Krause	D638,345 S	5/2011	Kanczuzewski et al.
5,028,184 A	7/1991	Krause	8,172,494 B1	5/2012	Knox
5,037,256 A	8/1991	Schroeder	8,192,121 B1	6/2012	Kanczuzewski et al.
D324,303 S	3/1992	Miller	8,425,166 B2	4/2013	Kanczuzewski et al.
5,156,110 A	10/1992	Fuller	8,545,150 B2	10/2013	Kanczuzewski et al.
5,161,700 A	11/1992	Stannis et al.	8,545,151 B2	10/2013	Kanczuzewski et al.
5,169,007 A	12/1992	McHendry	8,550,758 B2	10/2013	Kanczuzewski et al.
D332,242 S	1/1993	Graehling	8,668,125 B2 *	3/2014	Williams B60R 9/06 224/405
5,219,251 A	6/1993	Kanczuzewski	8,696,273 B1	4/2014	Kanczuzewski et al.
D339,682 S	9/1993	Phleps	D722,004 S	2/2015	Kanczuzewski et al.
5,259,712 A	11/1993	Wayne	9,234,537 B2	1/2016	Huang
5,281,063 A	1/1994	Austin, III	D756,291 S	5/2016	Masanek, Jr.
D344,482 S	2/1994	Arvidsson	9,550,446 B1	1/2017	Kanczuzewski et al.
D347,419 S	5/1994	Jackson	9,764,679 B2	9/2017	Kanczuzewski et al.
5,320,464 A	6/1994	Long et al.	9,821,701 B2	11/2017	Kanczuzewski et al.
5,326,204 A	7/1994	Carlson et al.	D843,922 S *	3/2019	Ting D12/414
5,362,184 A	11/1994	Hull et al.	D929,930 S *	9/2021	Park D12/406
5,370,482 A	12/1994	Long	D931,780 S *	9/2021	Lee D12/406
5,392,972 A	2/1995	Caruso et al.	2002/0071733 A1	6/2002	Parker
D358,125 S	5/1995	Jackson	2002/0176759 A1	11/2002	Kanczuzewski
5,494,389 A	2/1996	Kanczuzewski	2004/0156692 A1	8/2004	Rhodes
5,526,972 A	6/1996	Frazier et al.	2007/0224010 A1	9/2007	Cunningham
D372,016 S	7/1996	Wolford	2008/0152455 A1	6/2008	Kanczuzewski
D373,754 S	9/1996	Pinterpe	2010/0111636 A1	5/2010	Widynowski
D376,578 S	12/1996	Redford	2010/0308091 A1	12/2010	Hubbard
5,636,951 A	6/1997	Long et al.	2011/0068137 A1	3/2011	Murray et al.
D382,533 S	8/1997	Okland	2014/0034696 A1 *	2/2014	Marr B60R 9/045 224/405
5,688,087 A	11/1997	Stapleton et al.	2015/0158411 A1	6/2015	Pakulak
D392,246 S	3/1998	Anderson	2015/0197202 A1 *	7/2015	Harrison B62D 33/02 296/3
D395,998 S	7/1998	Ballinger	2019/0366907 A1	12/2019	Kanczuzewski
D397,322 S	8/1998	Tobin	2019/0367101 A1 *	12/2019	McFadden B62D 33/0207
D398,284 S *	9/1998	Carter D12/406	2019/0367266 A1	12/2019	Kanczuzewski
5,807,047 A	9/1998	Cox	2019/0367267 A1	12/2019	Kanczuzewski
D406,095 S	2/1999	Denny et al.	2020/0406826 A1 *	12/2020	NI B60R 9/058
D412,151 S	7/1999	Ferrigan	2020/0406827 A1 *	12/2020	NI B60R 9/06
D422,554 S	4/2000	Stapleton et al.			

* cited by examiner

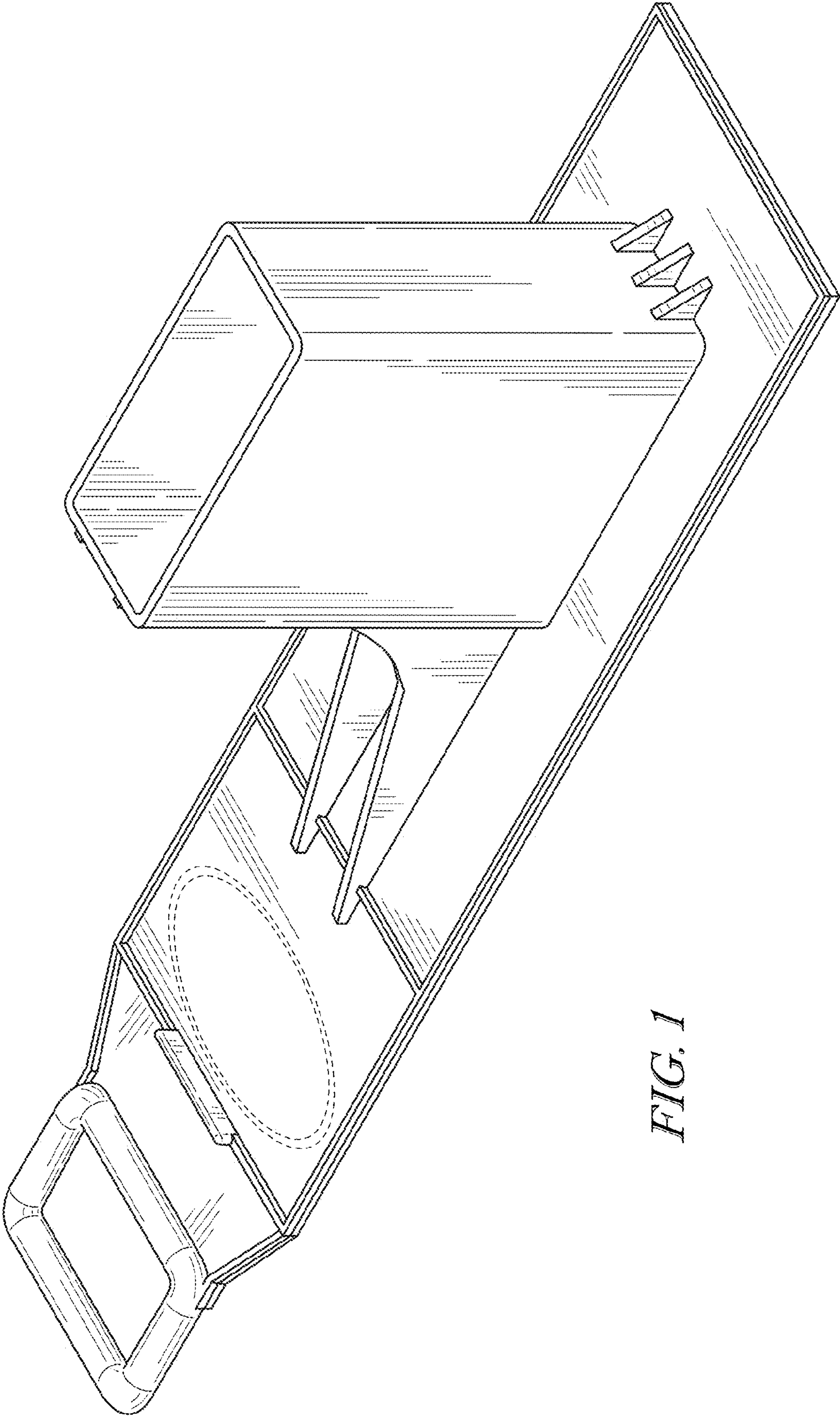


FIG. 1

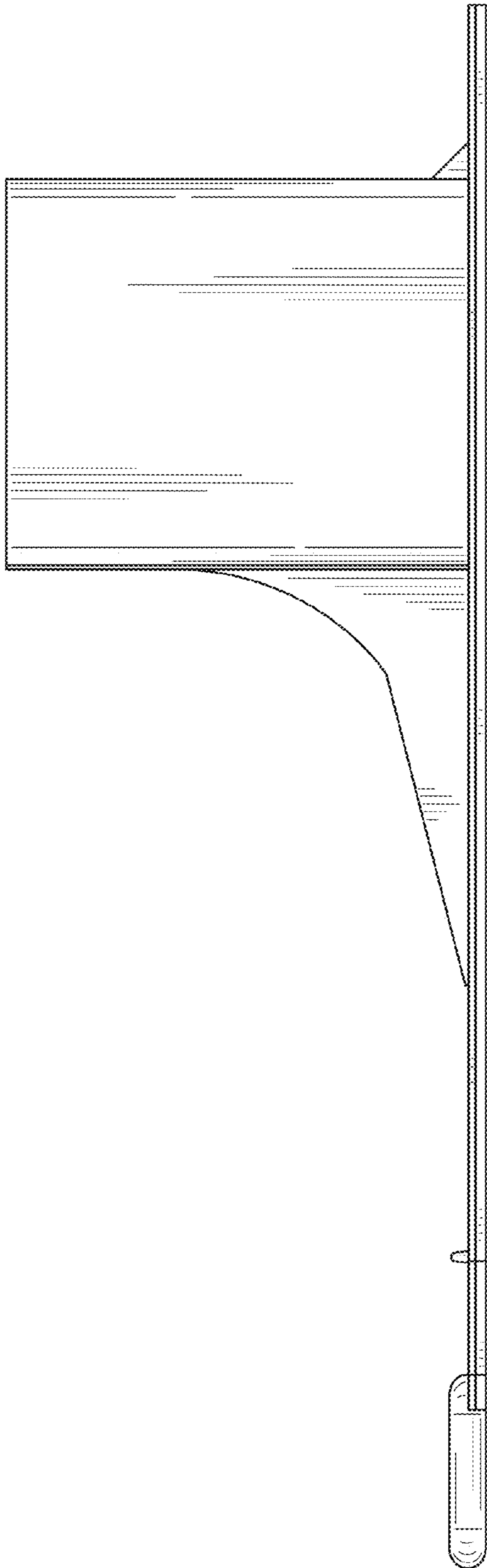


FIG. 2

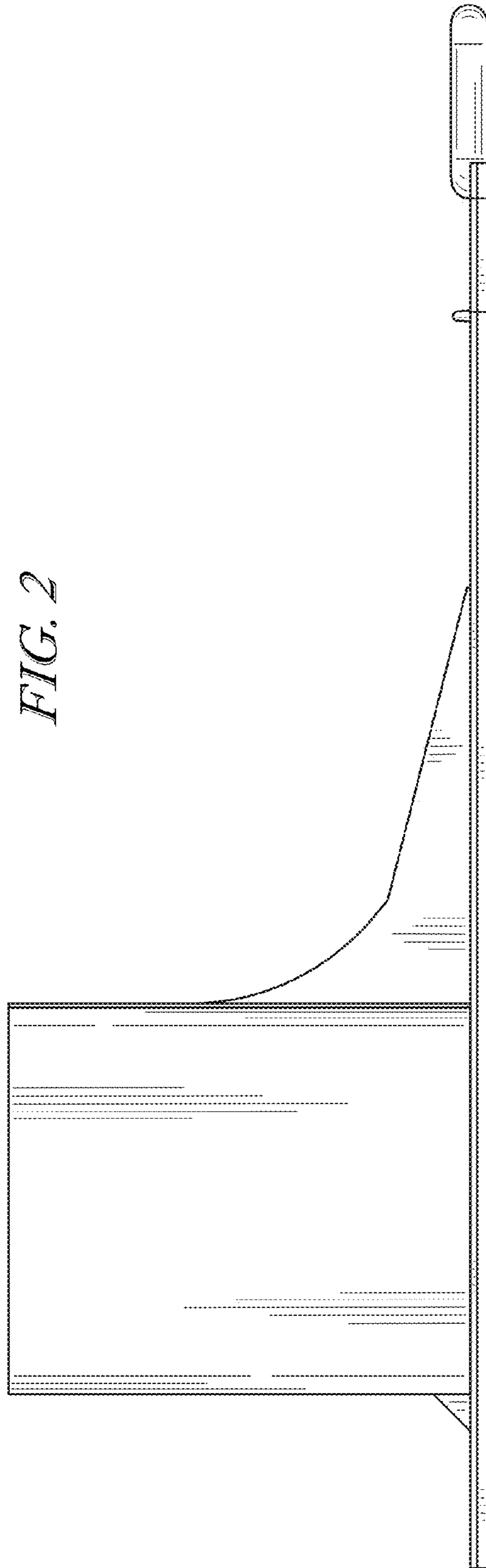


FIG. 3

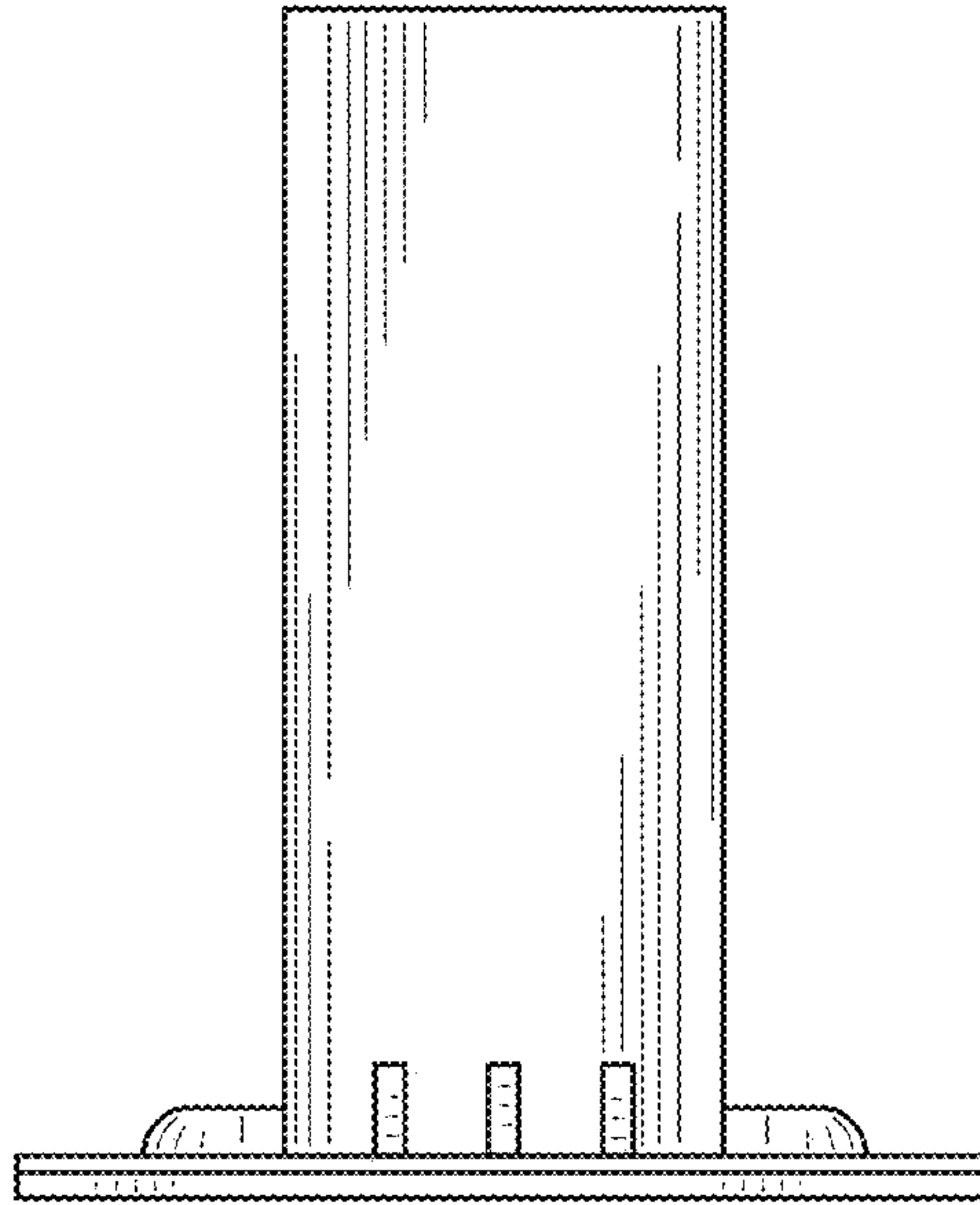


FIG. 4

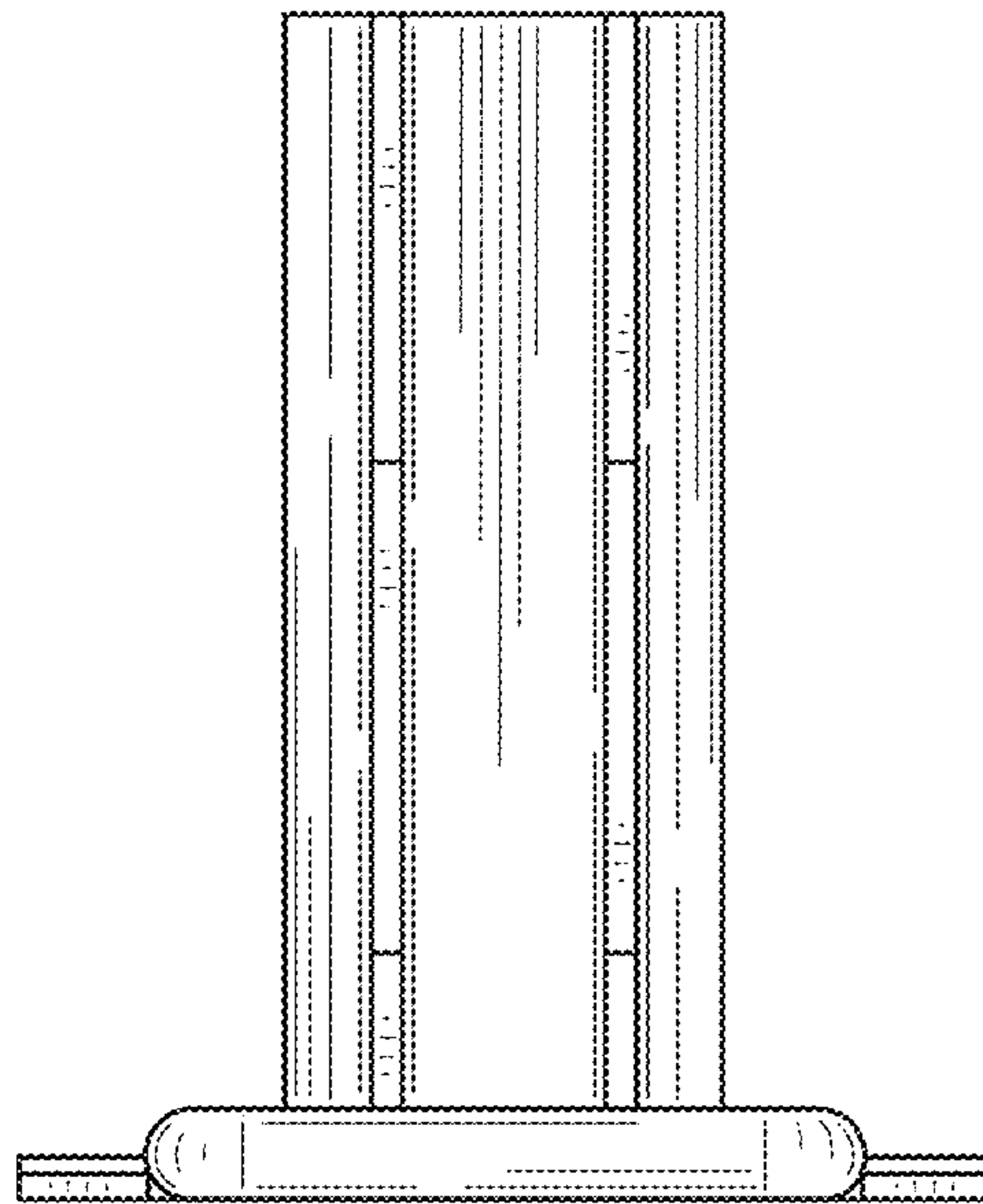


FIG. 5

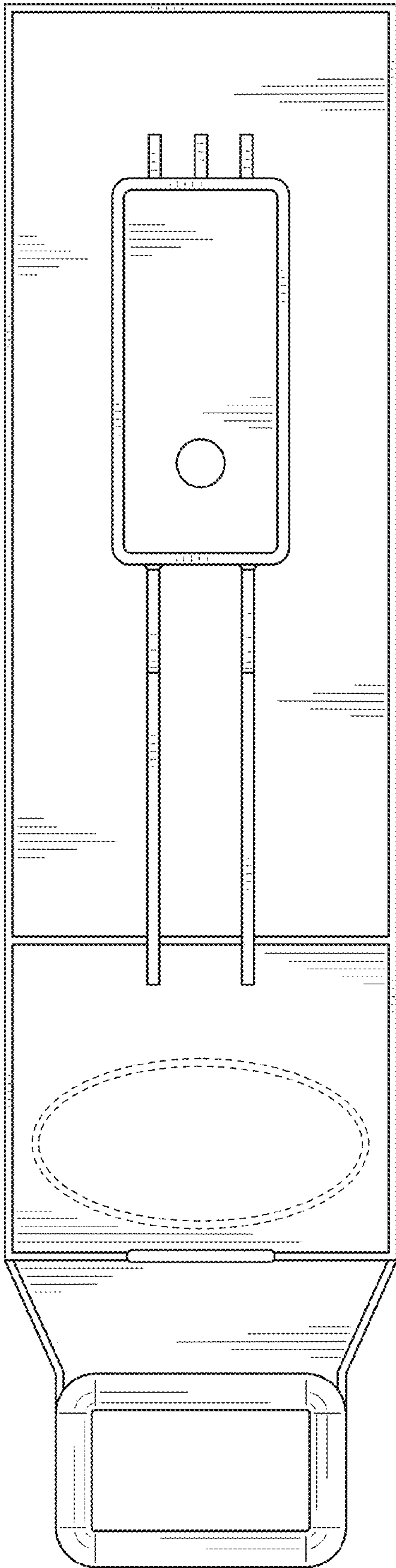


FIG. 6

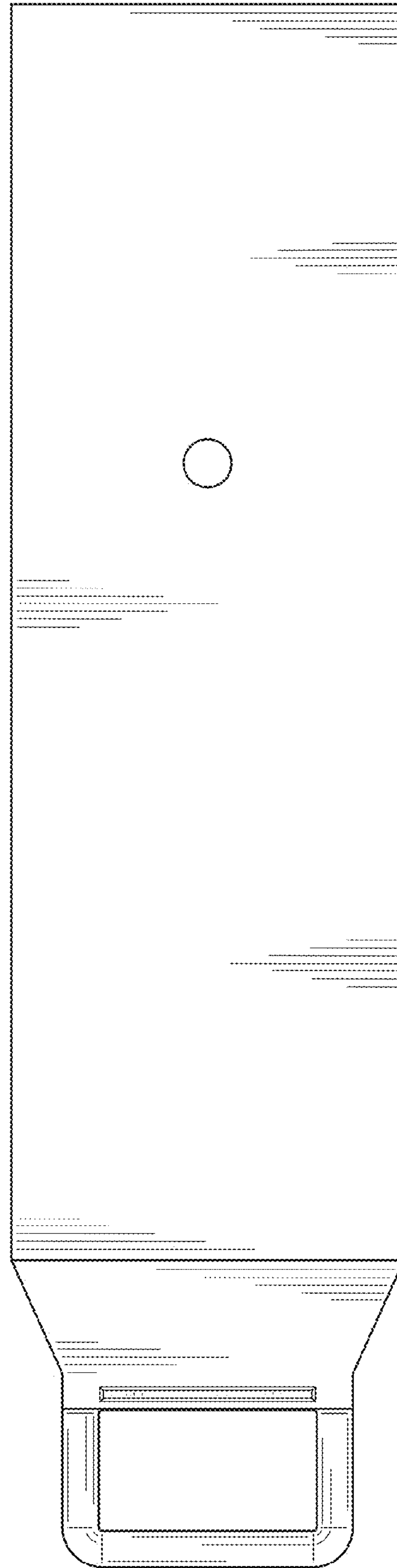


FIG. 7