



US00D938310S

(12) **United States Design Patent**
Yoder

(10) **Patent No.:** **US D938,310 S**
(45) **Date of Patent:** **** Dec. 14, 2021**

(54) **SET OF HITCH HANDLE AND WHEEL SUPPORTS FOR A PORTABLE BLIND**

(71) Applicant: **Daryn Yoder**, Leon, IA (US)

(72) Inventor: **Daryn Yoder**, Leon, IA (US)

(**) Term: **15 Years**

(21) Appl. No.: **29/610,627**

(22) Filed: **Jul. 13, 2017**

(51) **LOC (13) Cl.** **12-16**

(52) **U.S. Cl.**
USPC **D12/101**

(58) **Field of Classification Search**
USPC D12/101, 102

(Continued)

(56) **References Cited**

U.S. PATENT DOCUMENTS

3,768,677 A * 10/1973 Moss B60P 3/1033
414/476
4,003,583 A * 1/1977 Stanzel B60P 3/04
280/43.22

(Continued)

Primary Examiner — Susan E Krakower

Assistant Examiner — Jerry Shiuan-Hua Hsu

(74) *Attorney, Agent, or Firm* — Kutak Rock LLP

(57) **CLAIM**

The ornamental design for a set of hitch handle and wheel supports for a portable blind, as shown and described.

DESCRIPTION

FIG. 1 is a perspective view of set of hitch handle and wheel supports for a portable blind in a deployed configuration, showing my new design.

FIG. 2 is a front elevation view thereof.

FIG. 3 is a rear elevation view thereof.

FIG. 4 is a right side elevation view thereof.

FIG. 5 is a left side elevation view thereof.

FIG. 6 is a top plan view thereof.

FIG. 7 is a bottom plan view thereof.

FIG. 8 is a perspective view thereof, in a stowed configuration.

FIG. 9 is a perspective view of a wheel assembly thereof, in a deployed configuration, shown separately for ease of illustration.

FIG. 10 is a front elevation view of the wheel assembly of FIG. 9.

FIG. 11 is a rear elevation view of the wheel assembly of FIG. 9.

FIG. 12 is a right side elevation view of the wheel assembly of FIG. 9.

FIG. 13 is a left side elevation view of the wheel assembly of FIG. 9.

FIG. 14 is a top plan view of the wheel assembly of FIG. 9.

FIG. 15 is a bottom plan view of the wheel assembly of FIG. 9.

FIG. 16 is a perspective view of the wheel assembly of FIG. 9, in a stowed configuration.

FIG. 17 is a front elevation view of the wheel assembly of FIG. 16.

FIG. 18 is a rear elevation view of the wheel assembly of FIG. 16.

FIG. 19 is a right side elevation view of the wheel assembly of FIG. 16.

FIG. 20 is a left side elevation view of the wheel assembly of FIG. 16.

FIG. 21 is a top plan view of the wheel assembly of FIG. 16.

FIG. 22 is a bottom plan view of the wheel assembly of FIG. 16.

FIG. 23 is a perspective view of a handle assembly thereof, in a deployed configuration, shown separately for ease of illustration.

FIG. 24 is a rear elevation view of the handle assembly of FIG. 23.

FIG. 25 is a front elevation view of the handle assembly of FIG. 23.

FIG. 26 is a left side elevation view of the handle assembly of FIG. 23.

FIG. 27 is a right side elevation view of the handle assembly of FIG. 23.

(Continued)

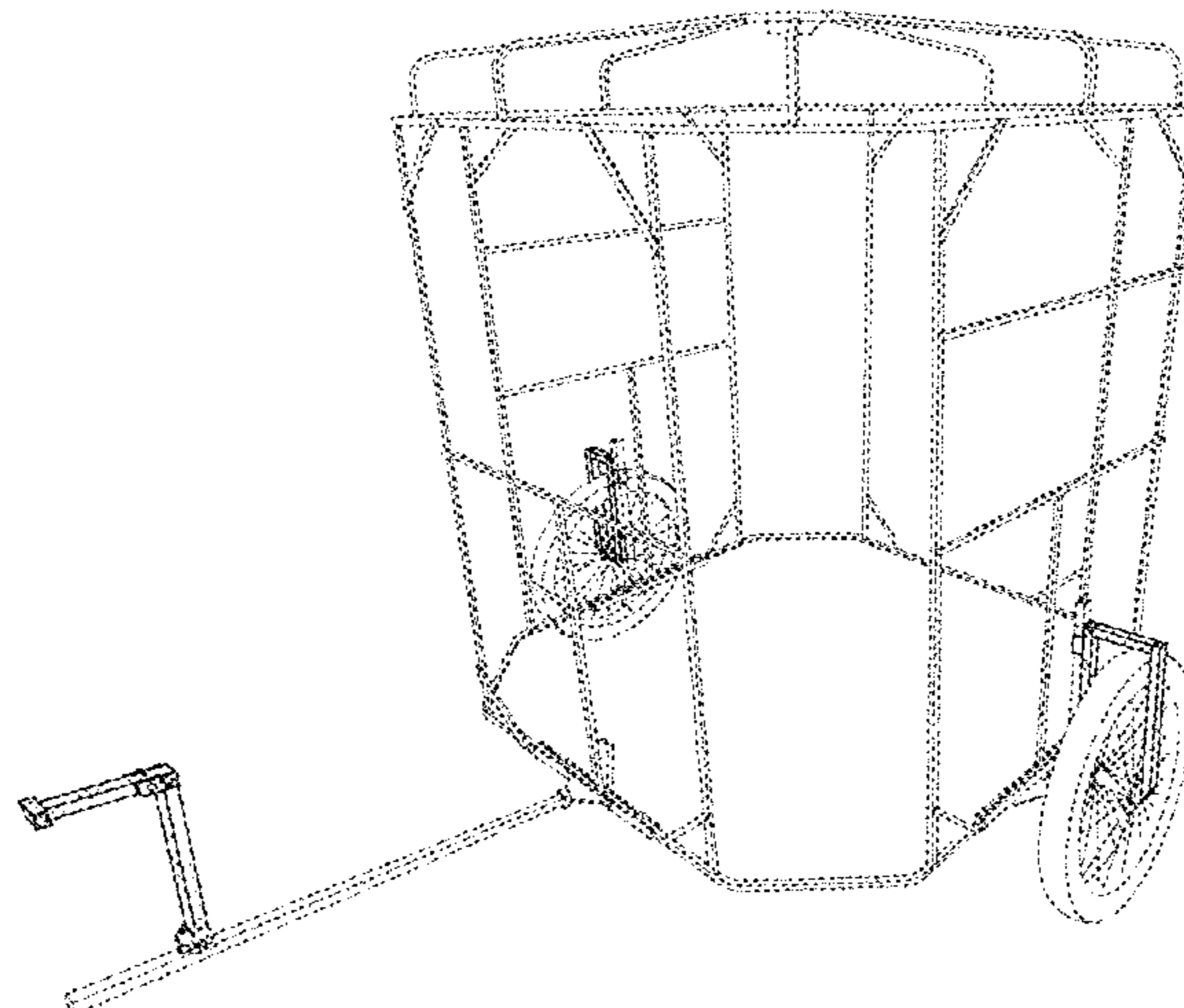


FIG. 28 is a top plan view of the handle assembly of FIG. 23.
 FIG. 29 is a bottom plan view of the handle assembly of FIG. 23.
 FIG. 30 is a perspective view of the handle assembly of FIG. 23, in a stowed configuration.
 FIG. 31 is a rear elevation view of the handle assembly of FIG. 30.
 FIG. 32 is a front elevation view of the handle assembly of FIG. 30.
 FIG. 33 is a left side elevation view of the handle assembly of FIG. 30.
 FIG. 34 is a right side elevation view of the handle assembly of FIG. 30.
 FIG. 35 is a top plan view of the handle assembly of FIG. 30; and,
 FIG. 36 is a bottom plan view of the handle assembly of FIG. 30.
 The broken lines illustrate portions of the set of hitch handle and wheel supports for a portable blind and form no part of the claimed design.

1 Claim, 23 Drawing Sheets

(58) **Field of Classification Search**
 CPC B60D 1/64; B60P 1/027; B60P 3/34; B60P 3/04; B60P 3/1033; B62B 1/12; B60G 3/14; B60R 9/06; B62D 63/064
 See application file for complete search history.

(56)

References Cited

U.S. PATENT DOCUMENTS

4,175,768	A *	11/1979	Thackray	B62D 63/064 280/491.2
4,593,840	A *	6/1986	Chown	B60R 9/06 224/484
4,719,716	A	1/1988	Chrisley, Jr.	
5,086,847	A	2/1992	Meiners	
5,630,693	A *	5/1997	Sobina	B60G 3/14 414/495
5,730,080	A	3/1998	Cripe	
5,887,879	A	3/1999	Chumley	
D512,942	S *	12/2005	Wittkowski	D12/101
7,194,842	B2	3/2007	Baird	
7,243,979	B1 *	7/2007	Stene	B60P 1/027 296/163
7,401,804	B1 *	7/2008	Rupp	B60P 1/027 280/43.1
7,726,446	B1	6/2010	Buchanan et al.	
7,770,913	B2 *	8/2010	Cannon	B62B 1/12 280/656
8,308,213	B1 *	11/2012	Sharkey	B60P 3/34 296/26.12
8,444,174	B1	5/2013	Miller, Jr. et al.	
2006/0045693	A1 *	3/2006	Elliot	B60P 1/027 414/481
2010/0133873	A1	6/2010	Carlton	
2015/0064936	A1 *	3/2015	Bartoli	B60D 1/64 439/35
2017/0105405	A1	4/2017	Decker	

* cited by examiner

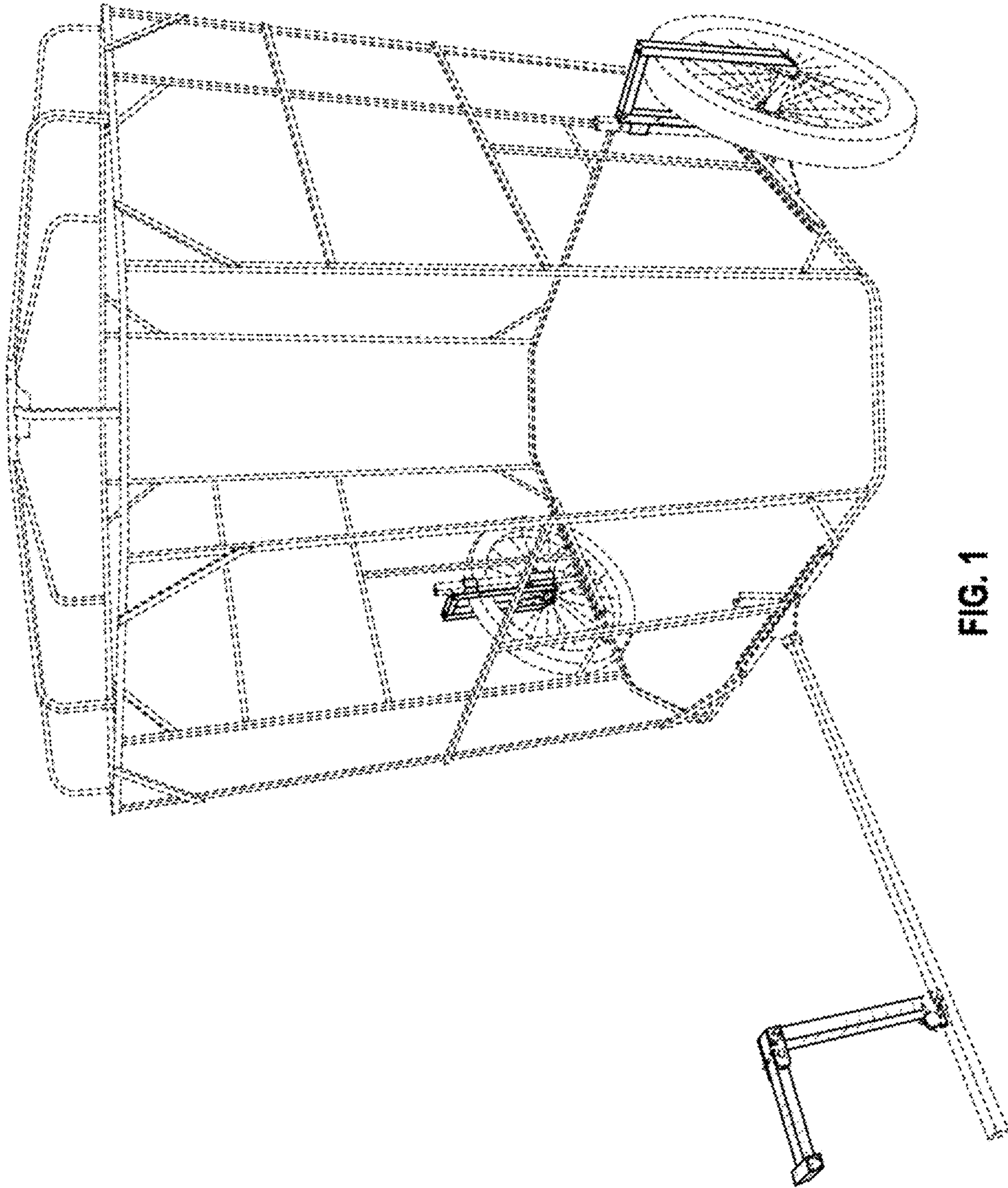


FIG. 1

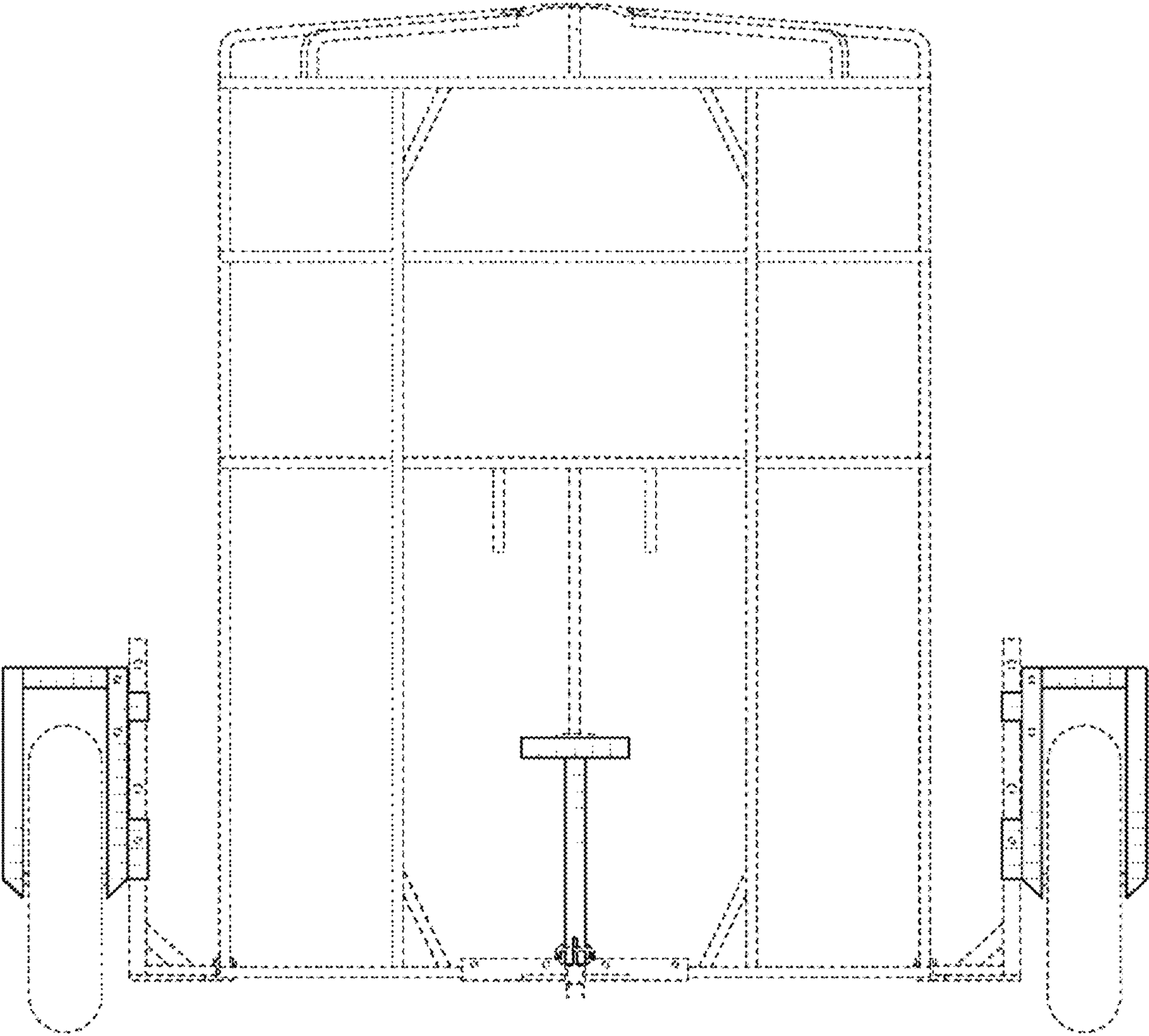


FIG. 2

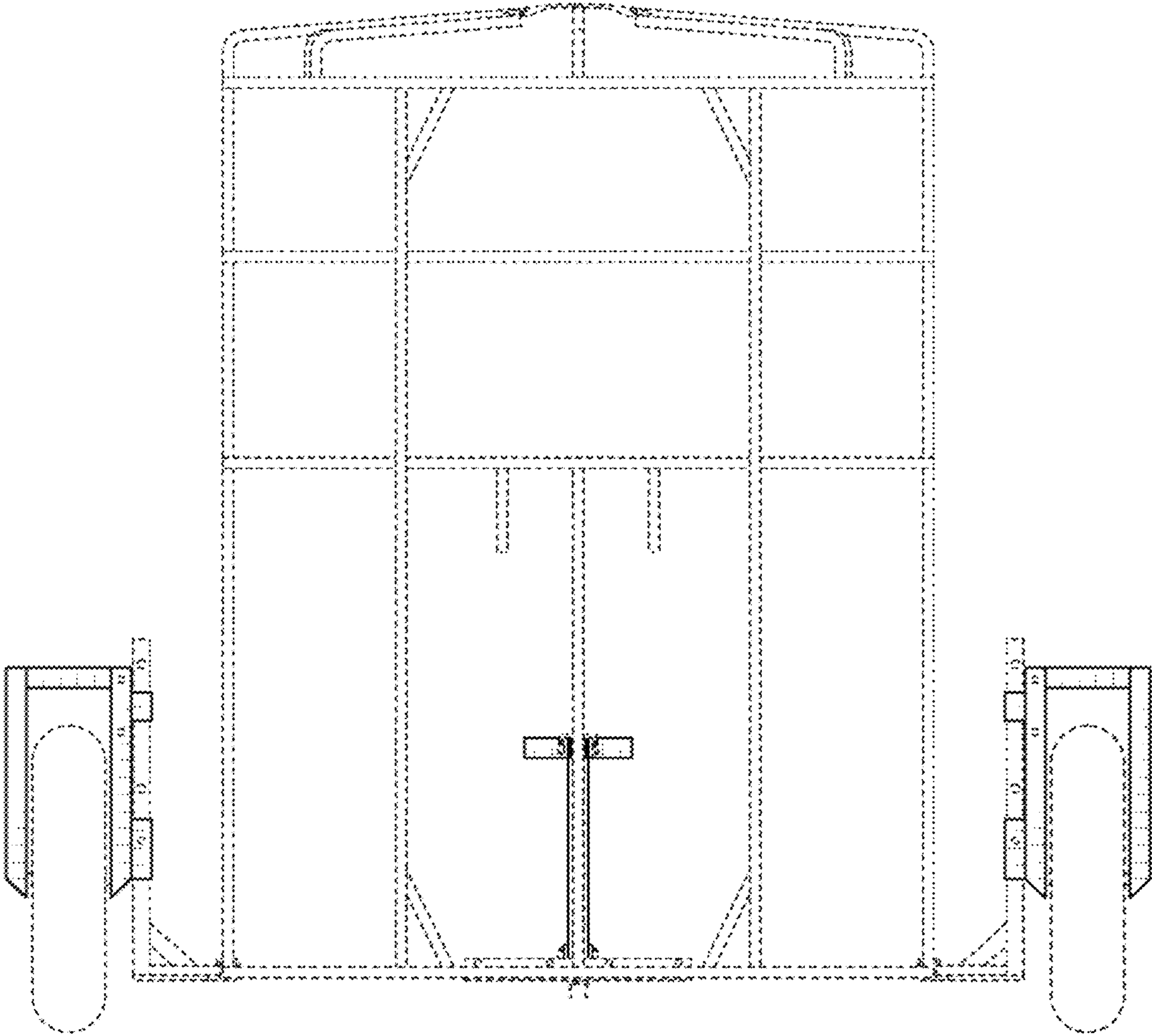


FIG. 3

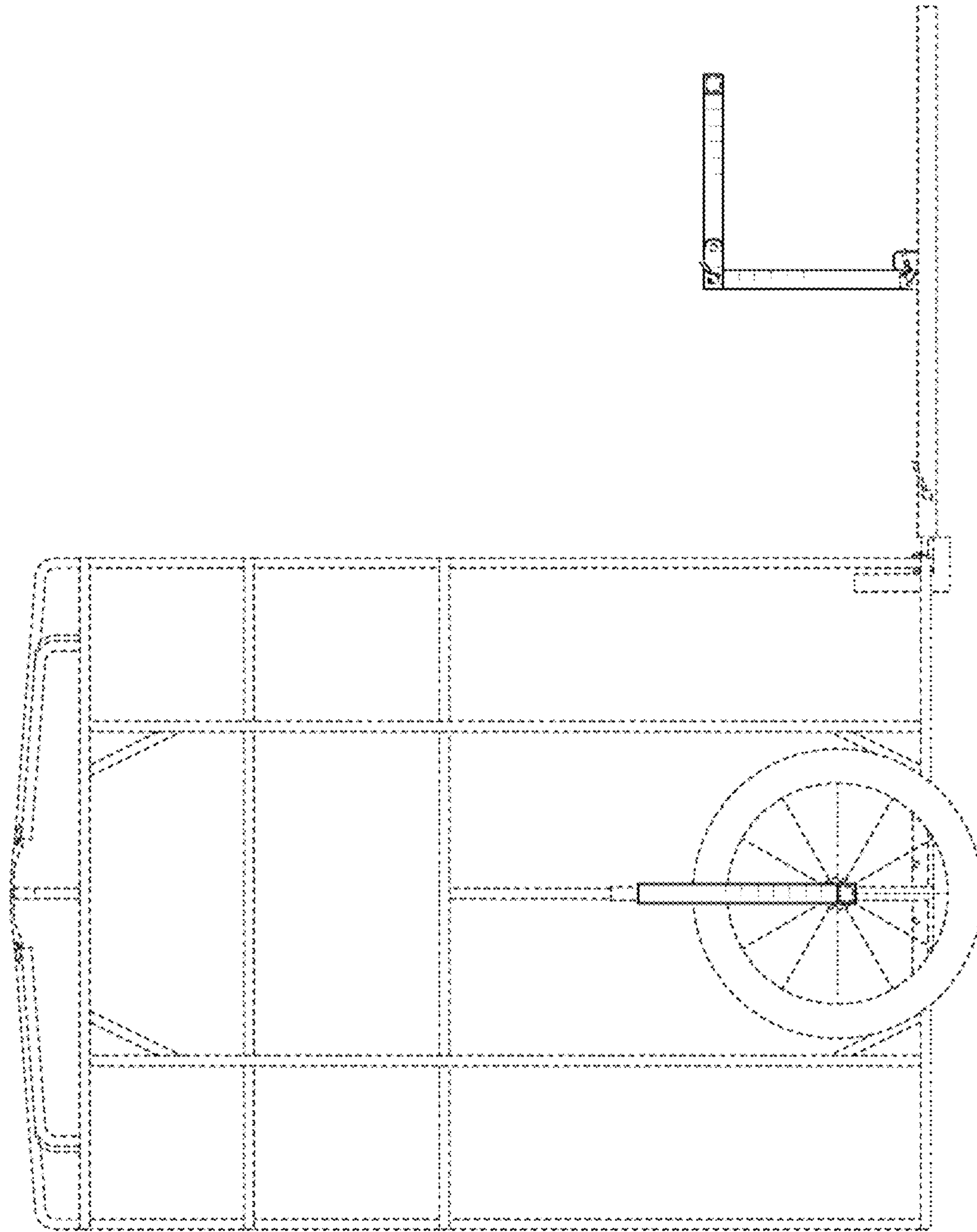


FIG. 4

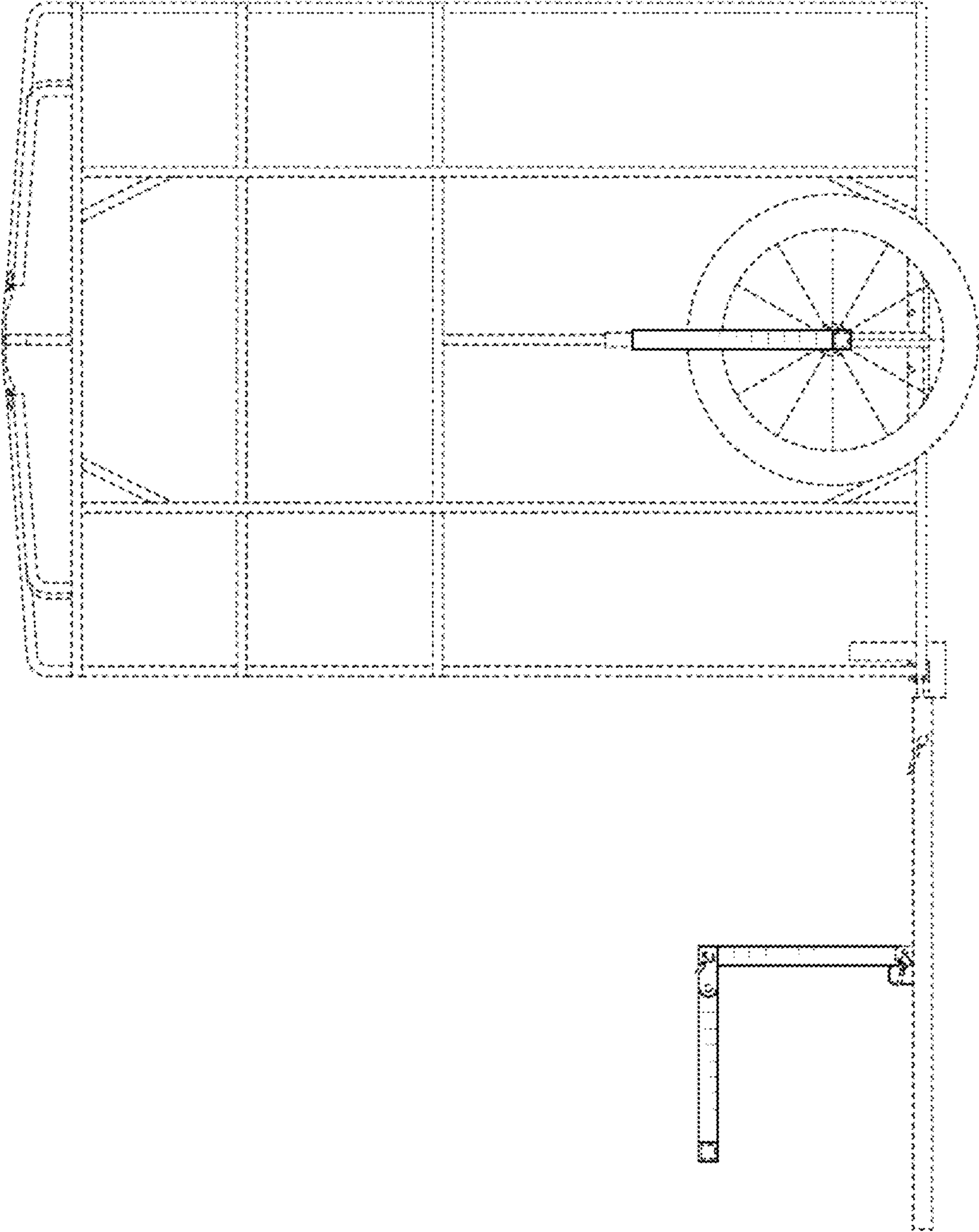


FIG. 5

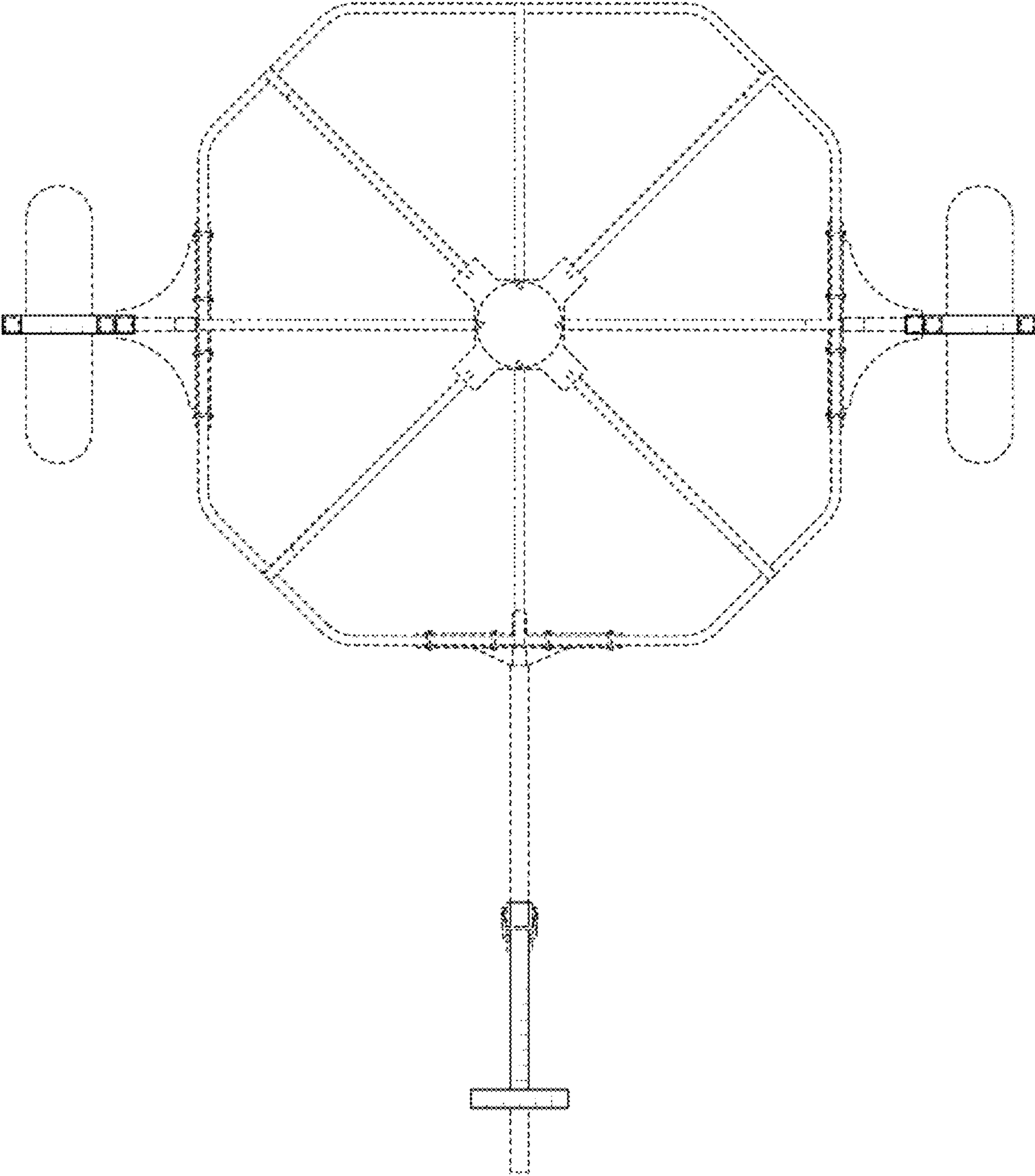


FIG. 6

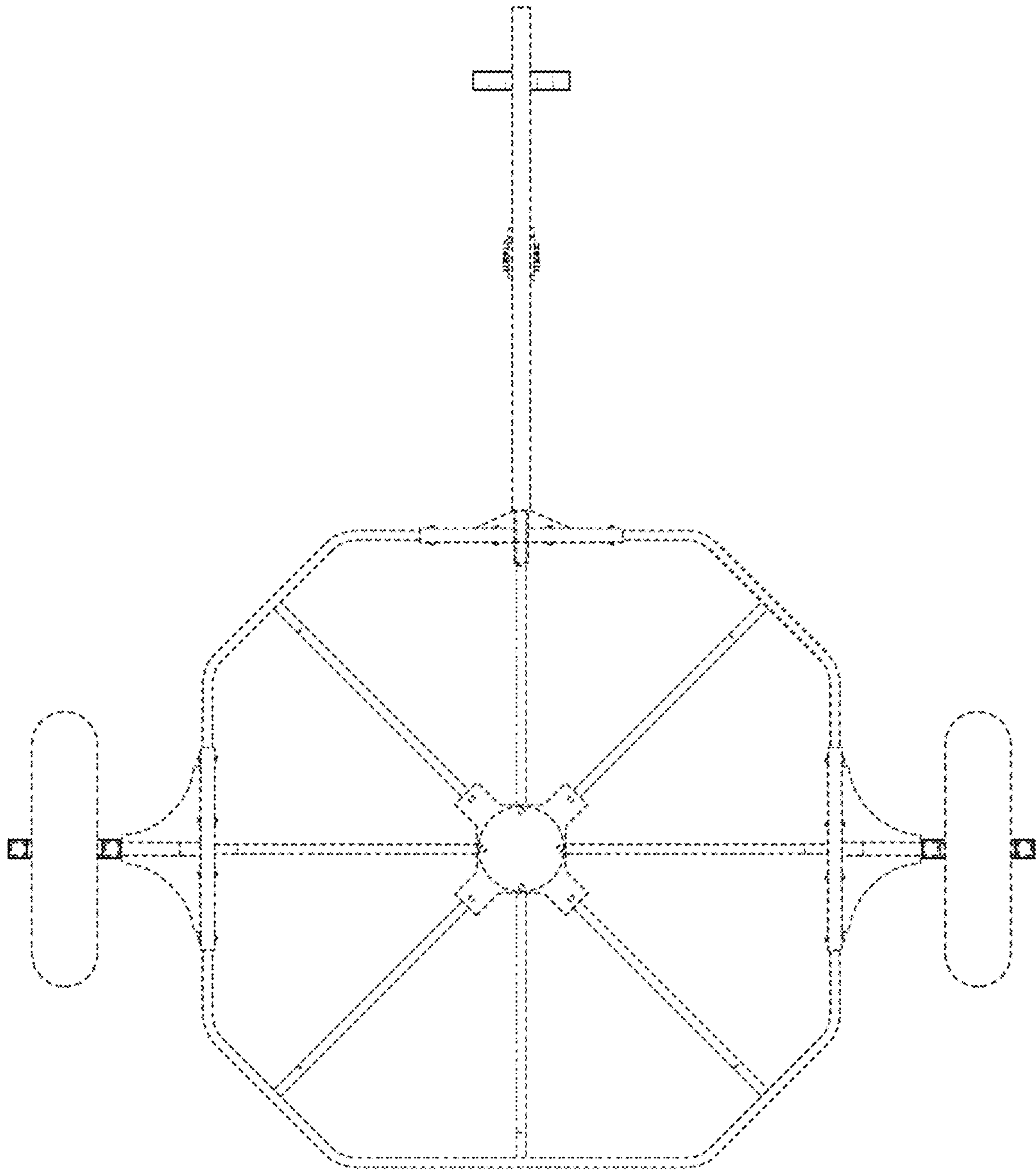


FIG. 7

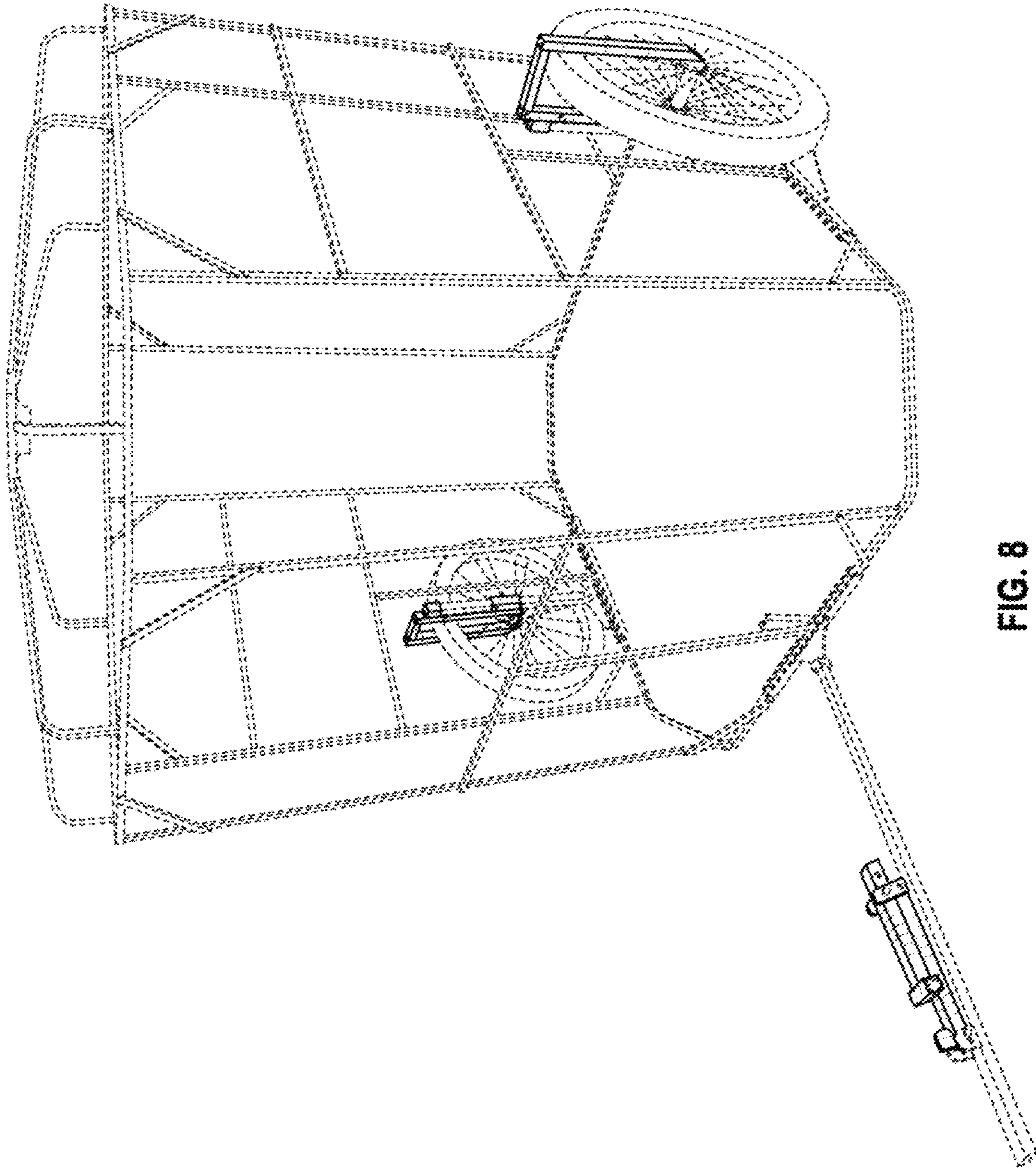


FIG. 8

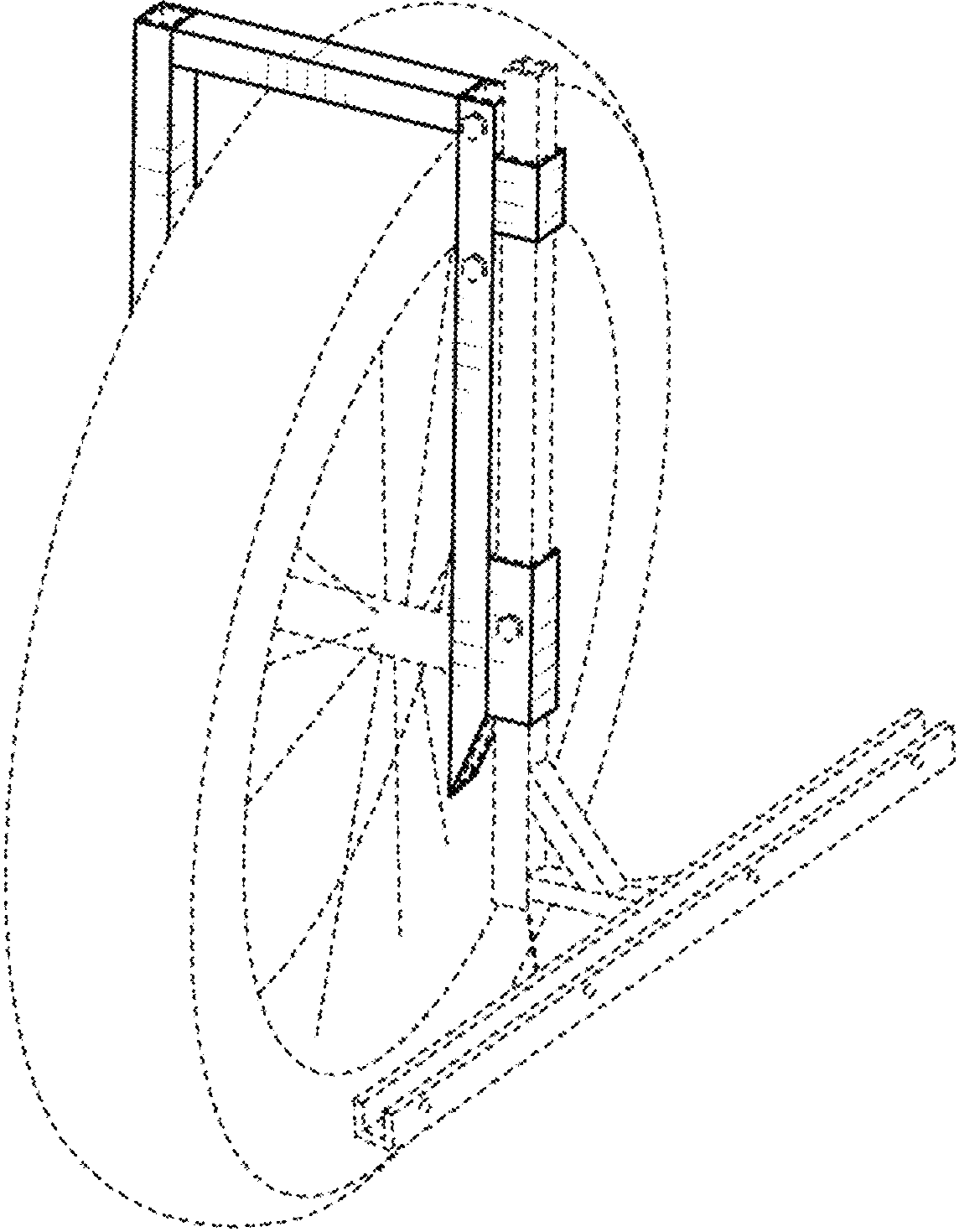


FIG. 9

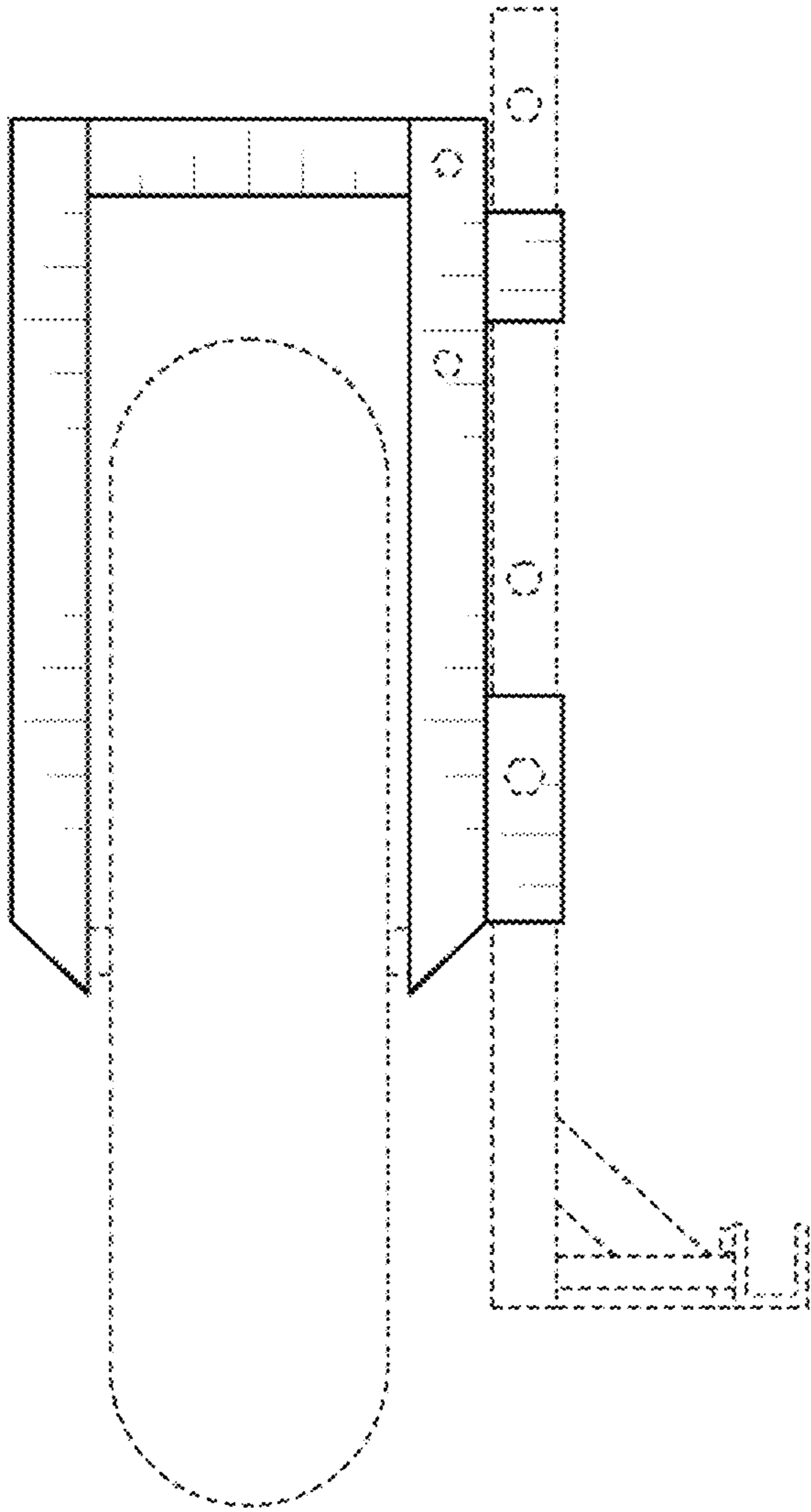


FIG. 10

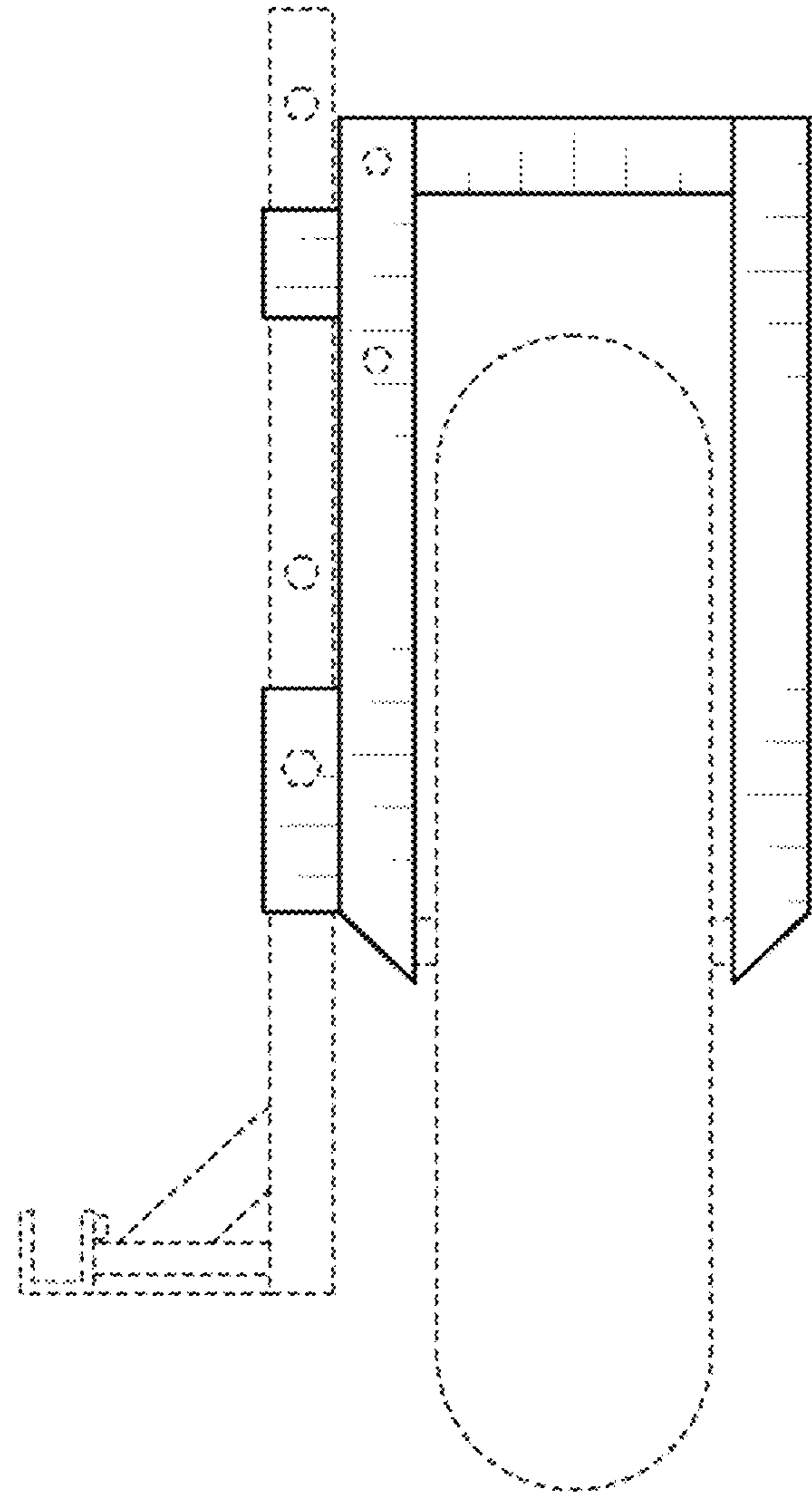


FIG. 11

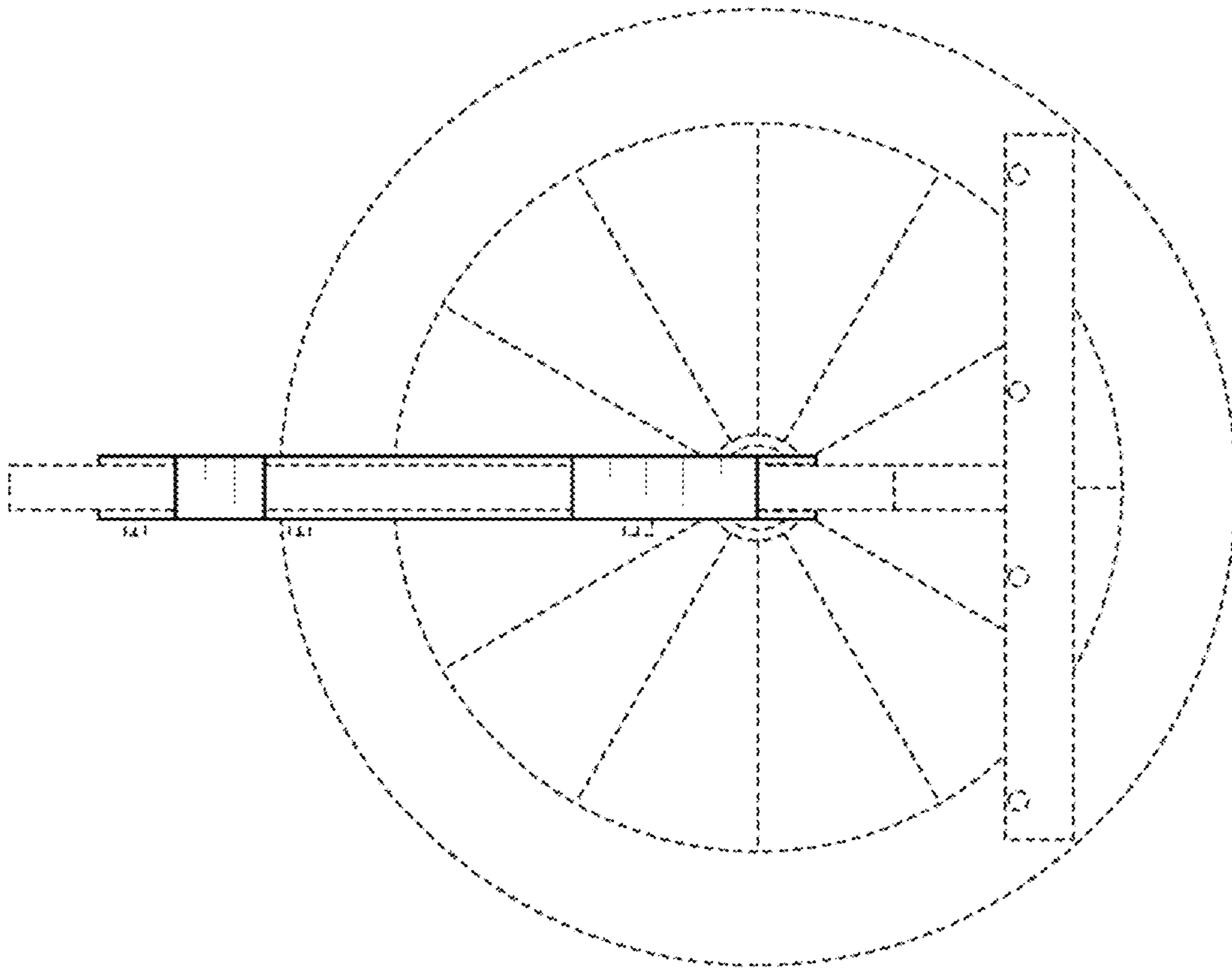


FIG. 12

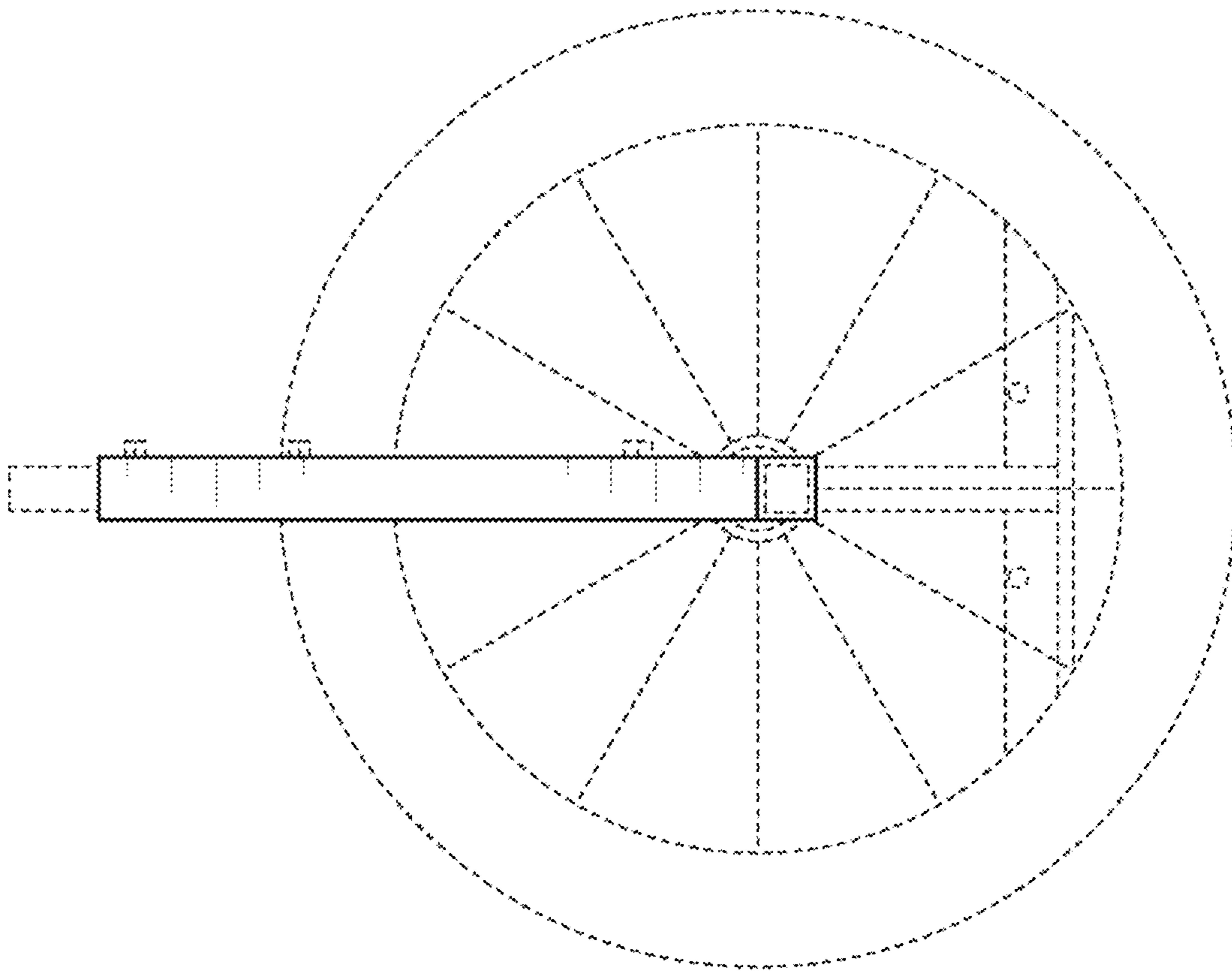


FIG. 13

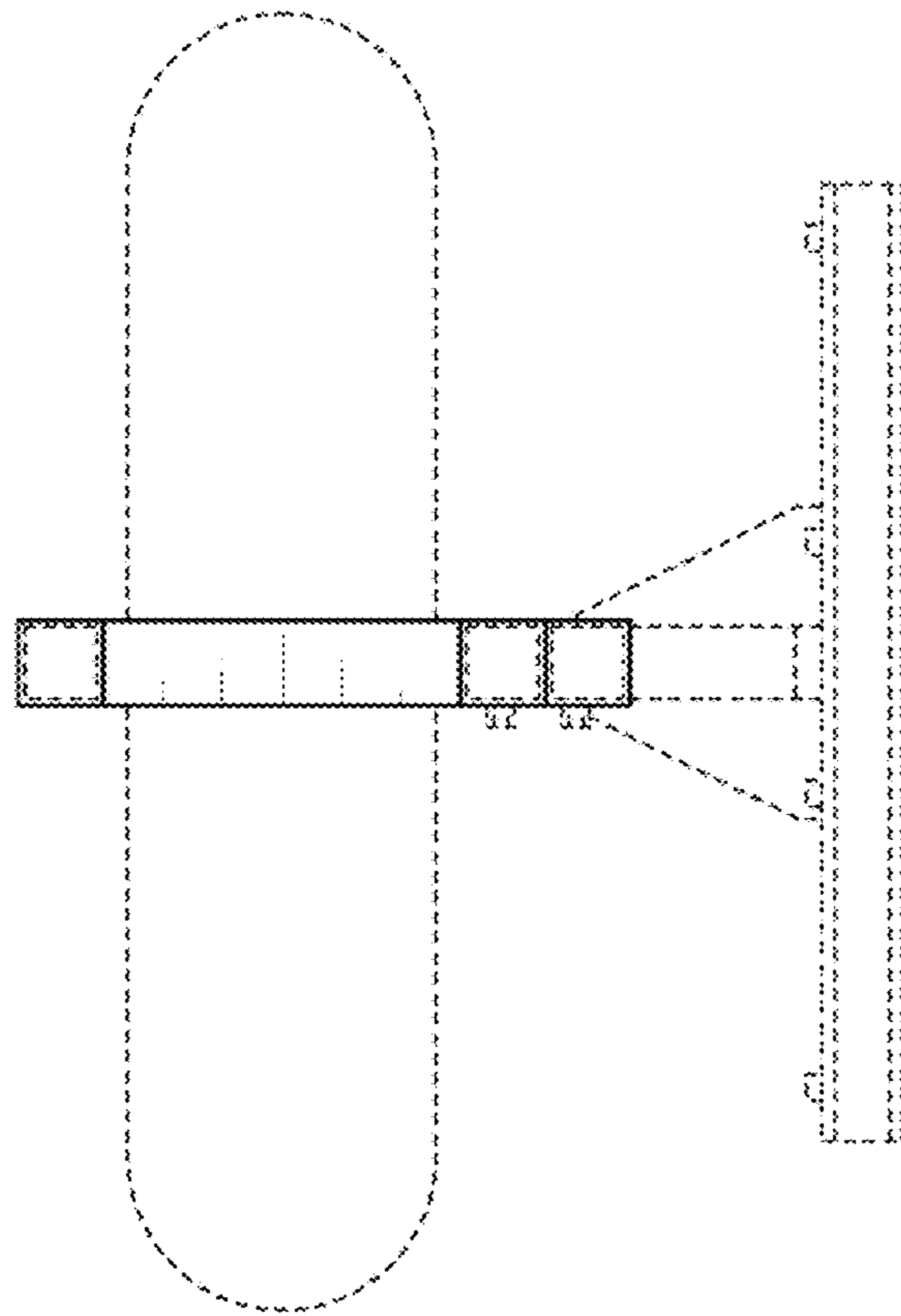


FIG. 14

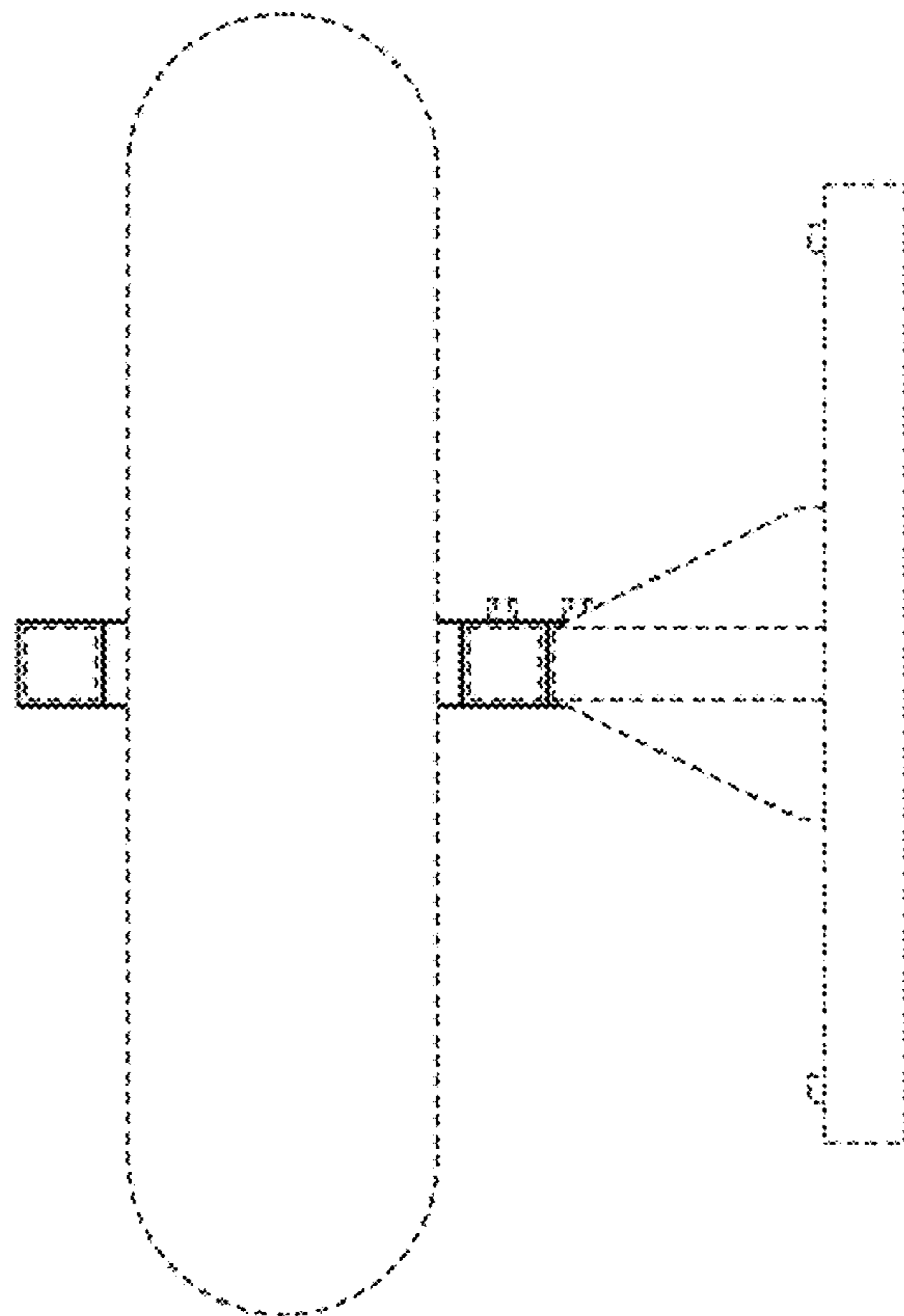


FIG. 15

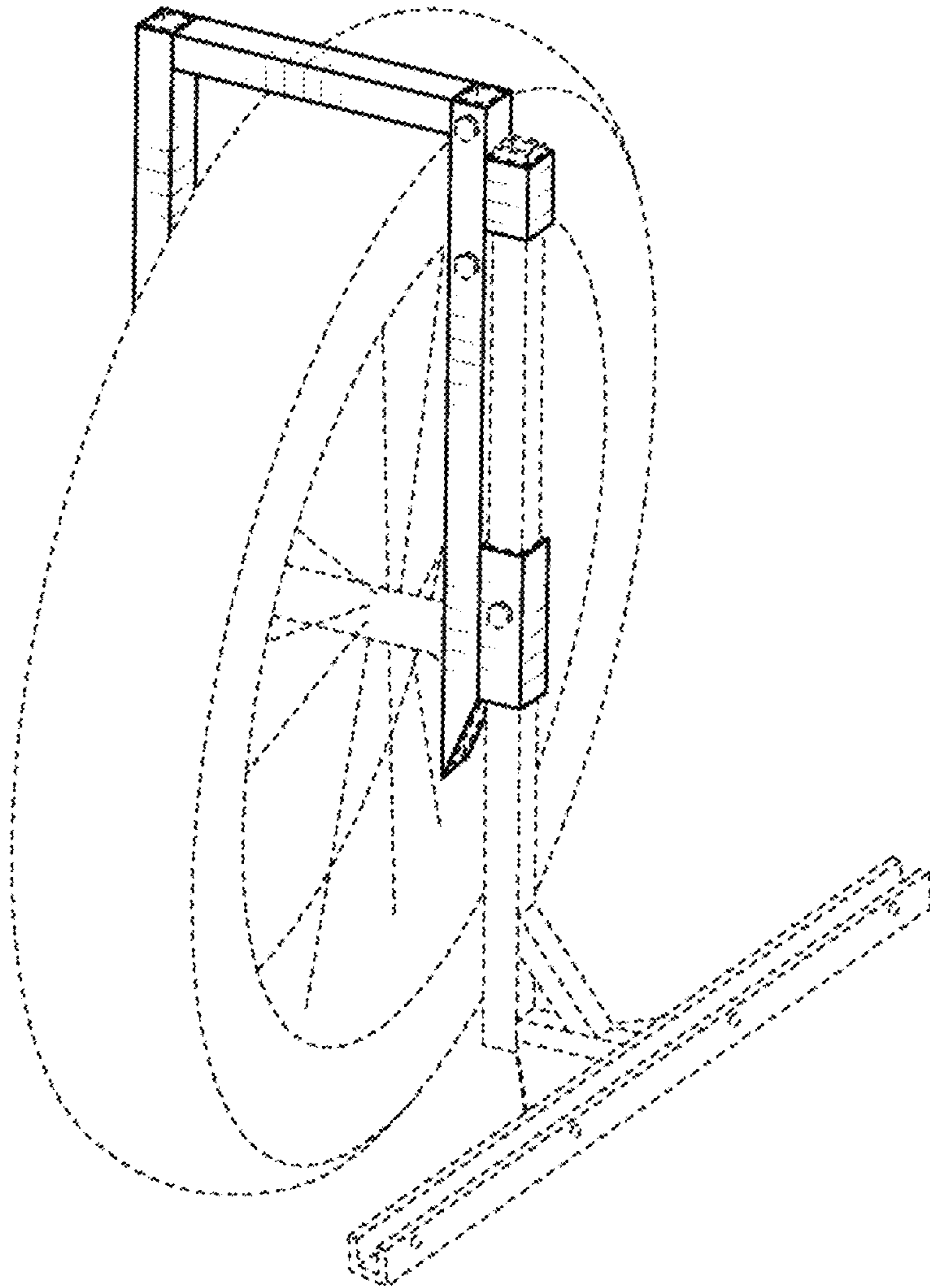


FIG. 16

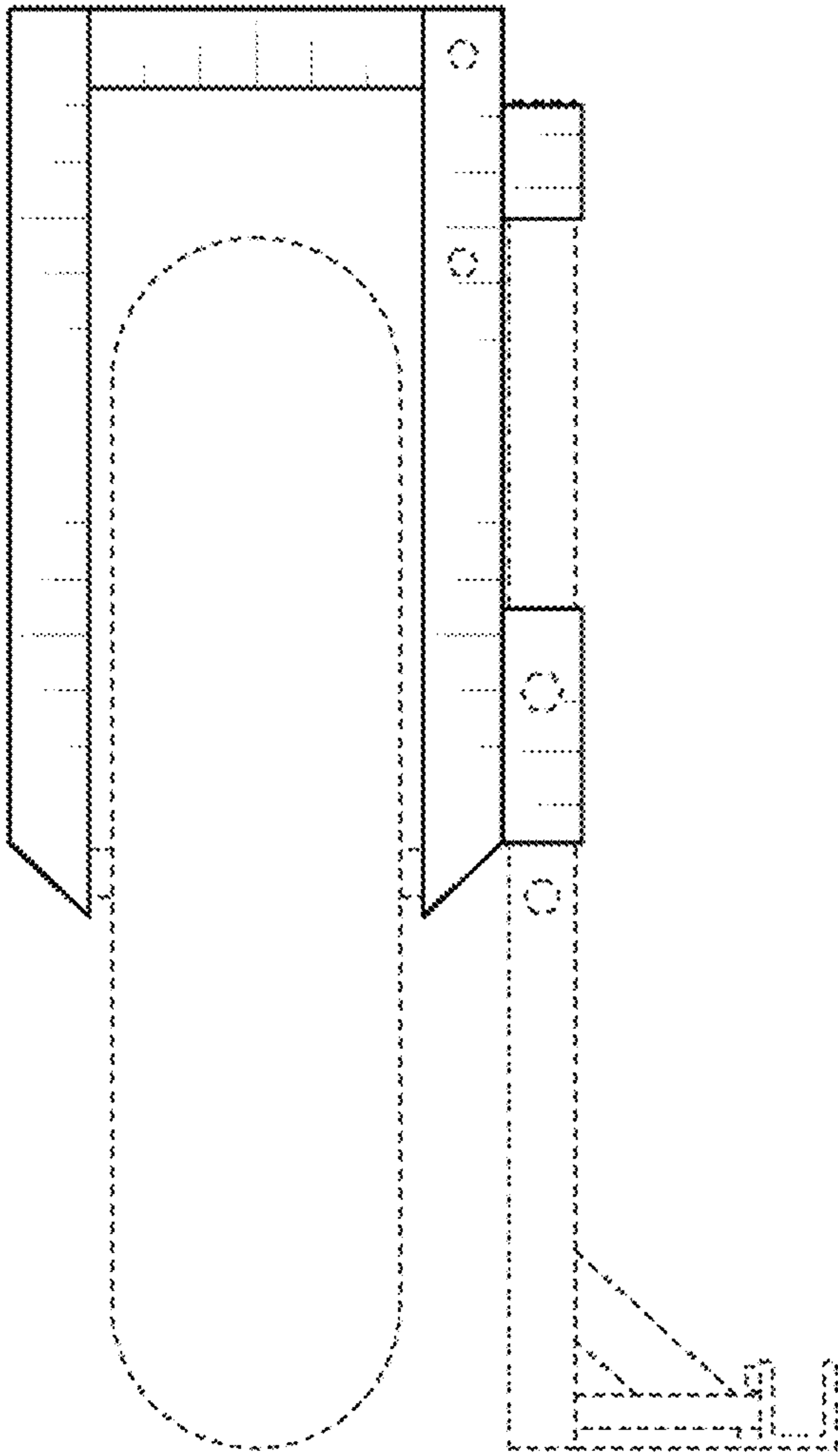


FIG. 17

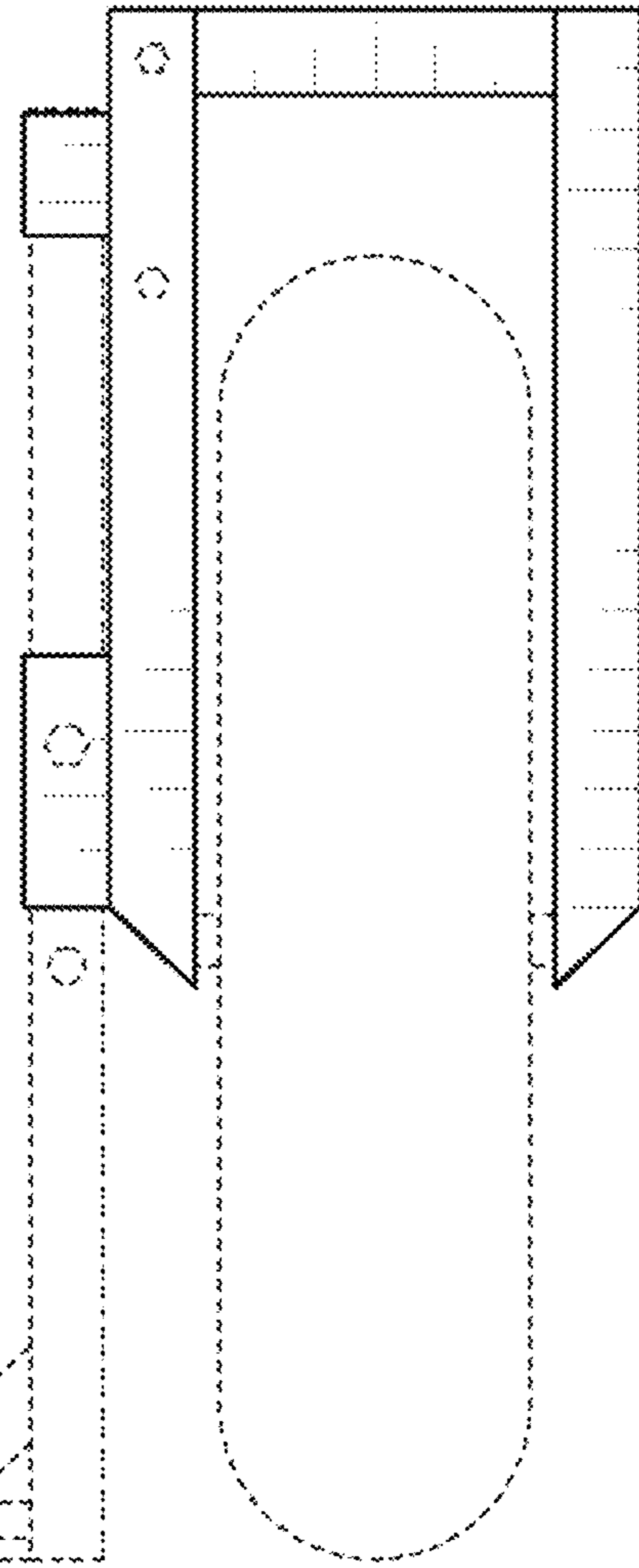


FIG. 18

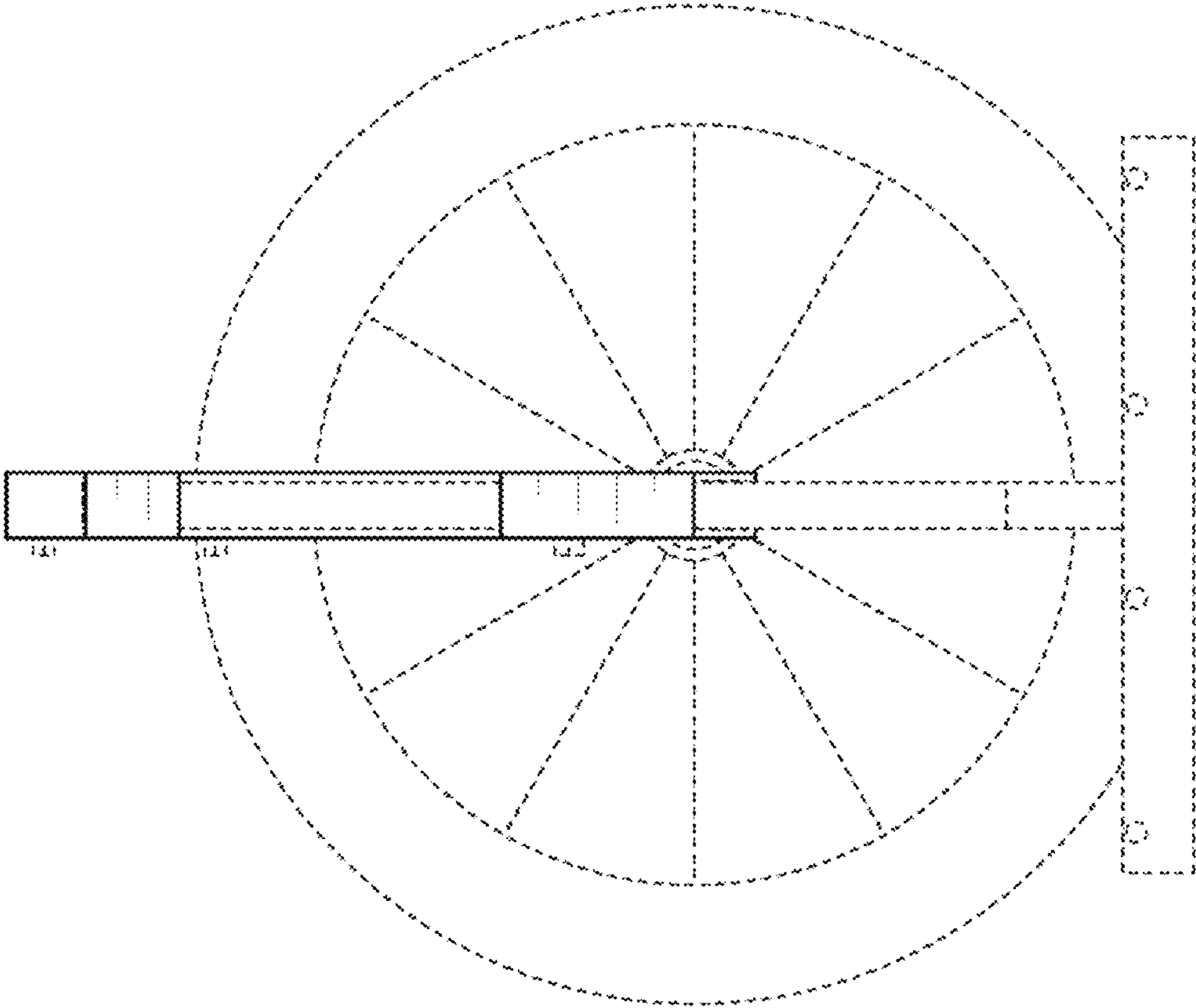


FIG. 20

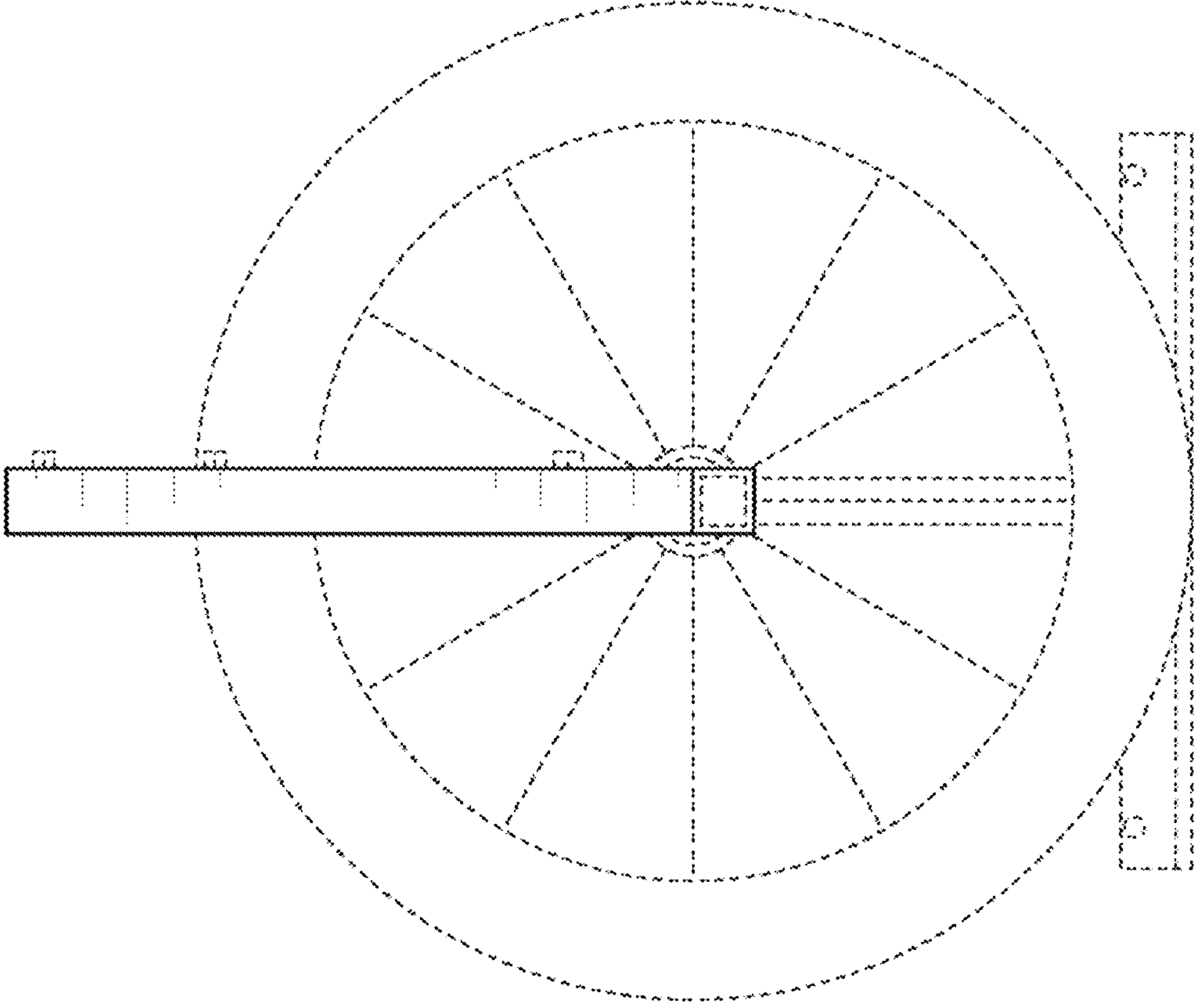


FIG. 19

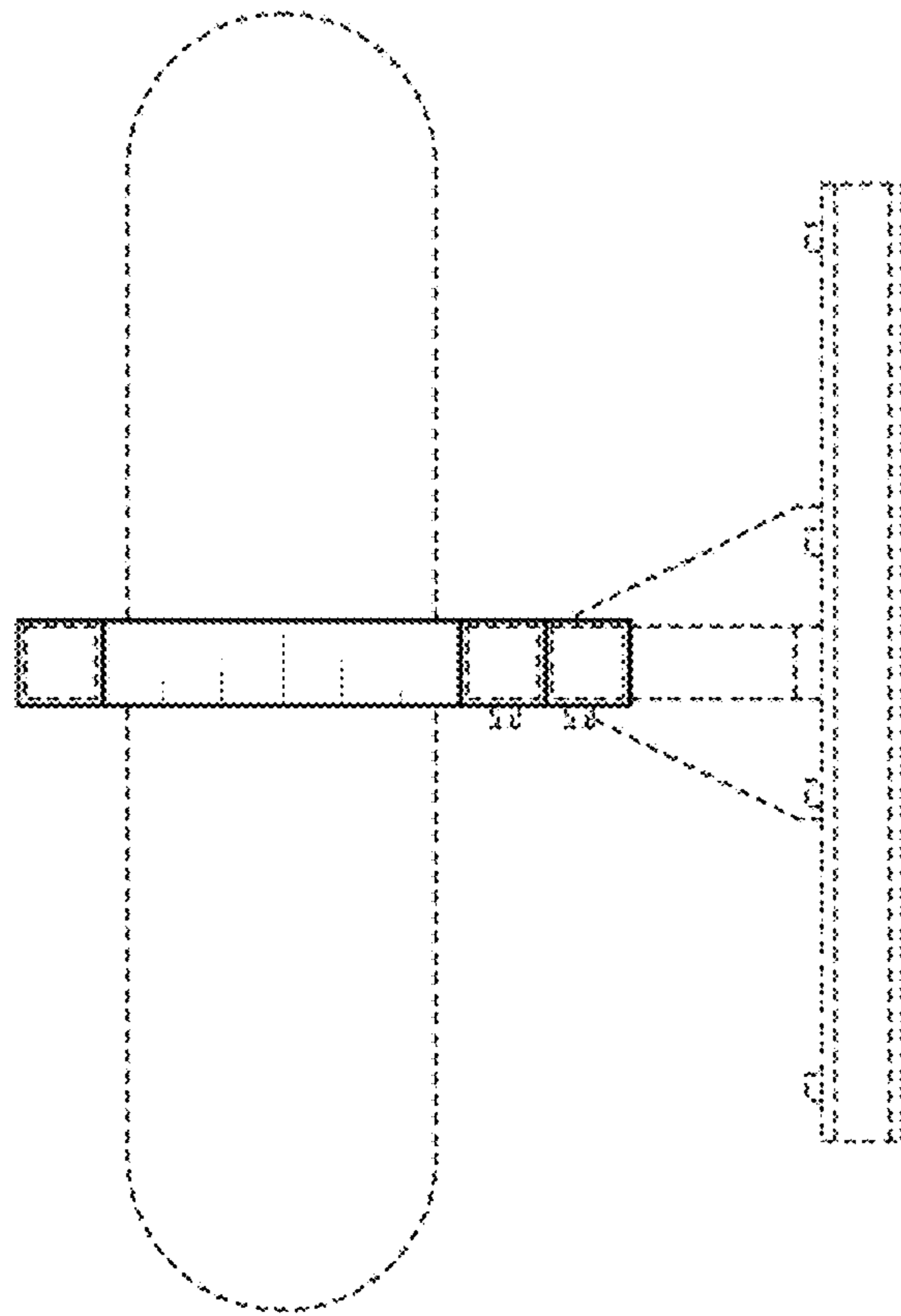


FIG. 21

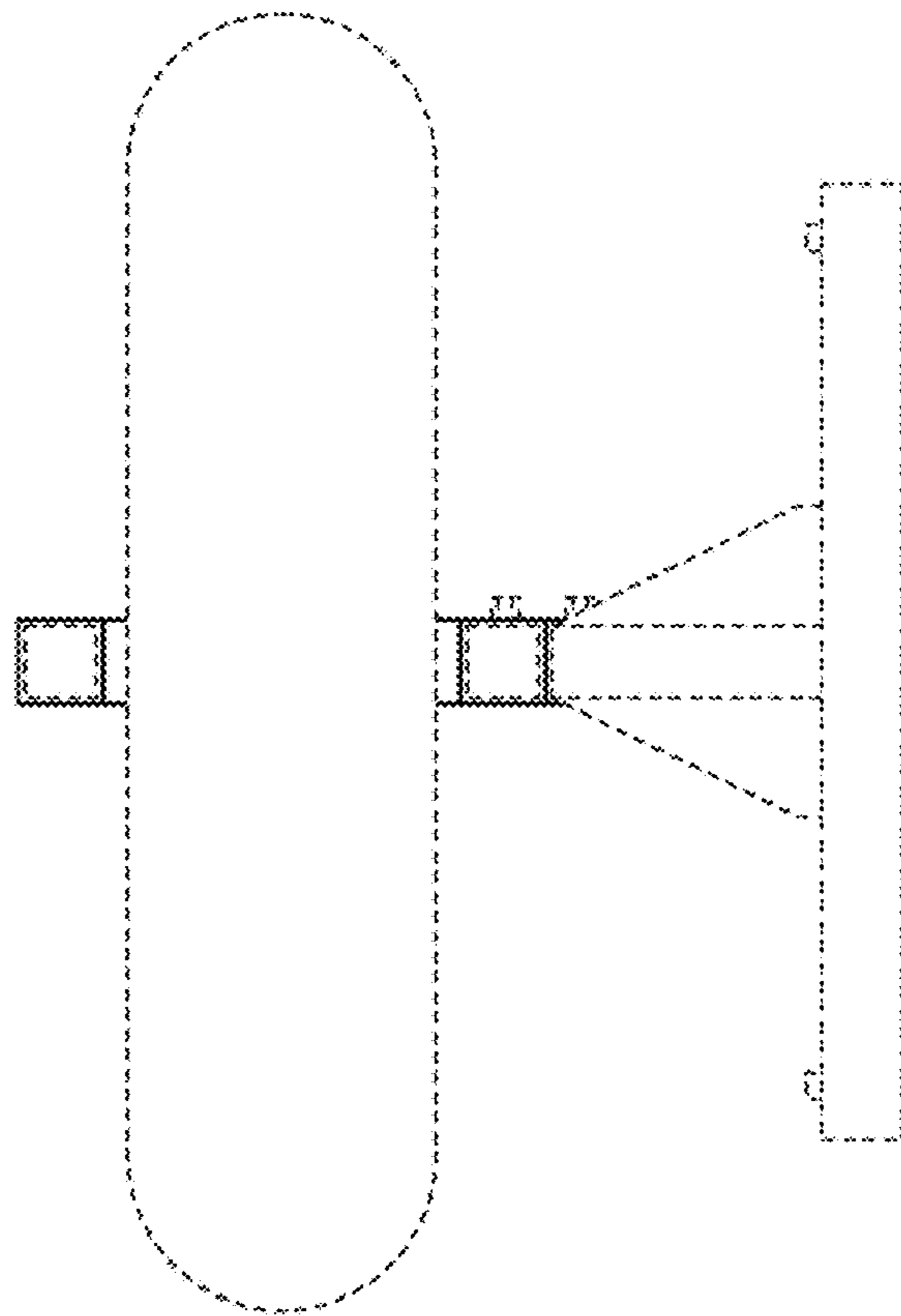


FIG. 22

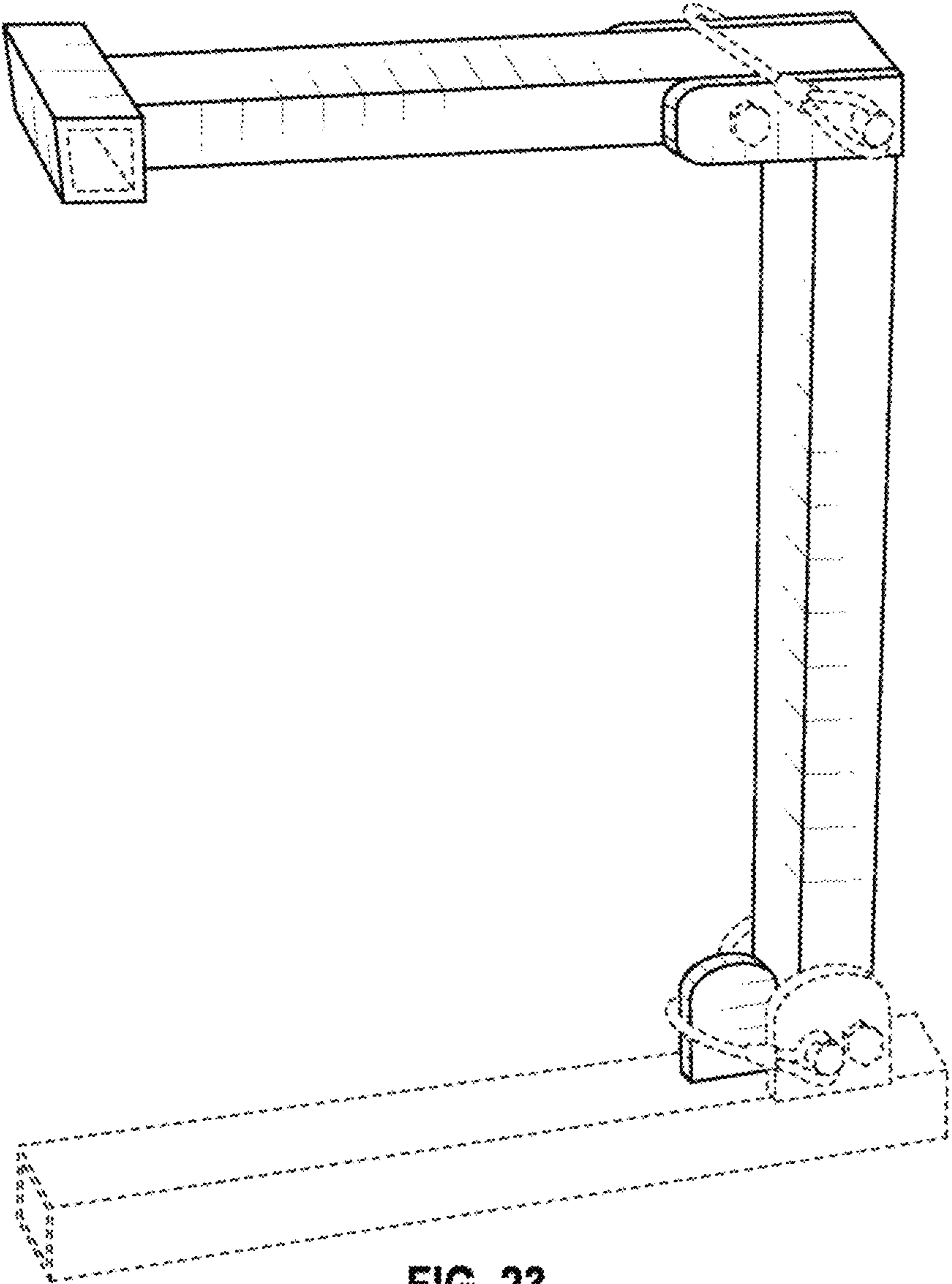


FIG. 23

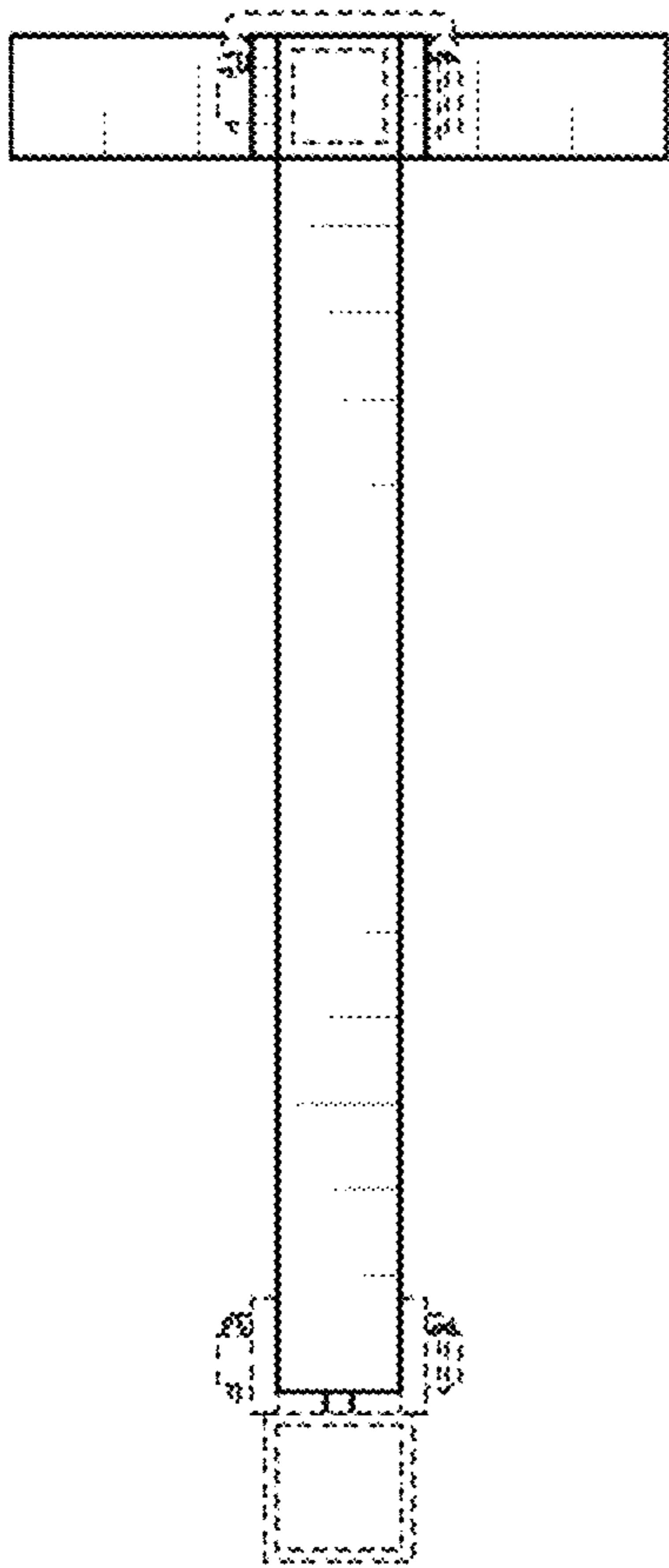


FIG. 24

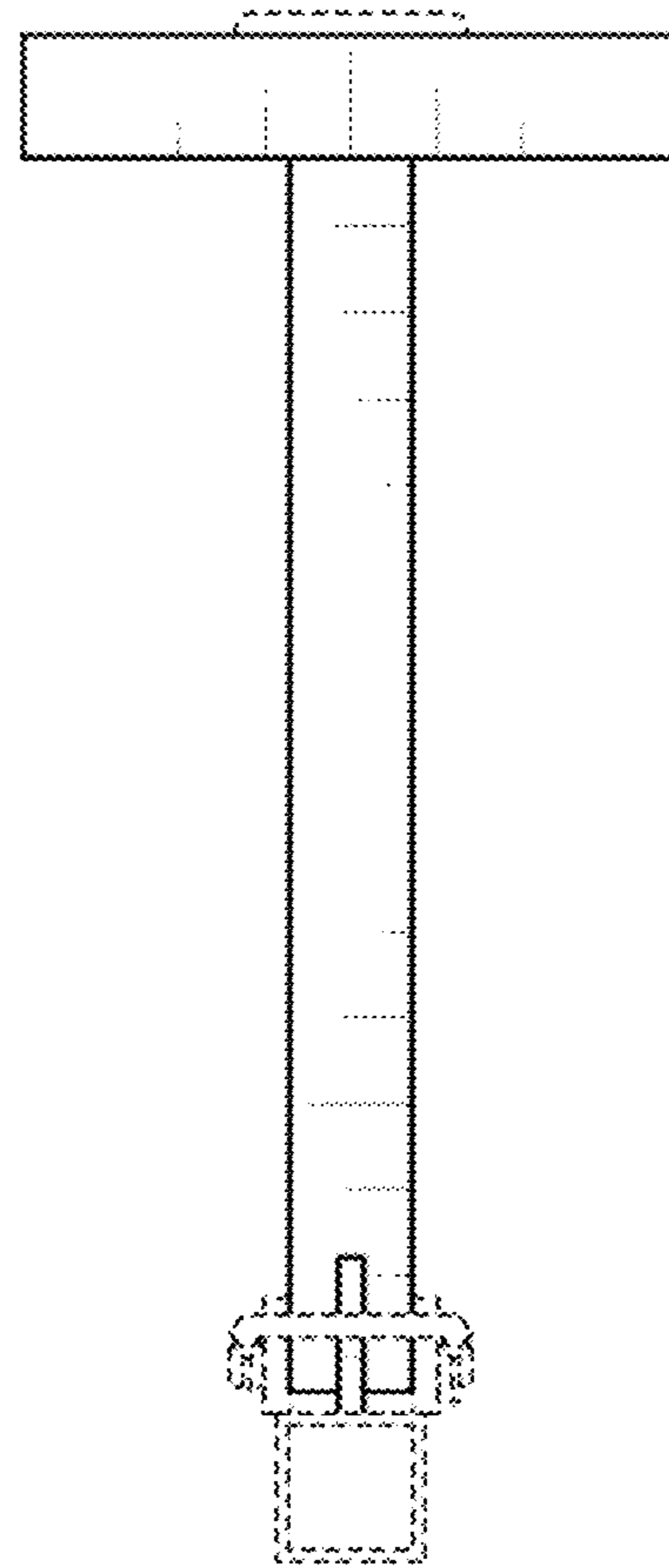


FIG. 25

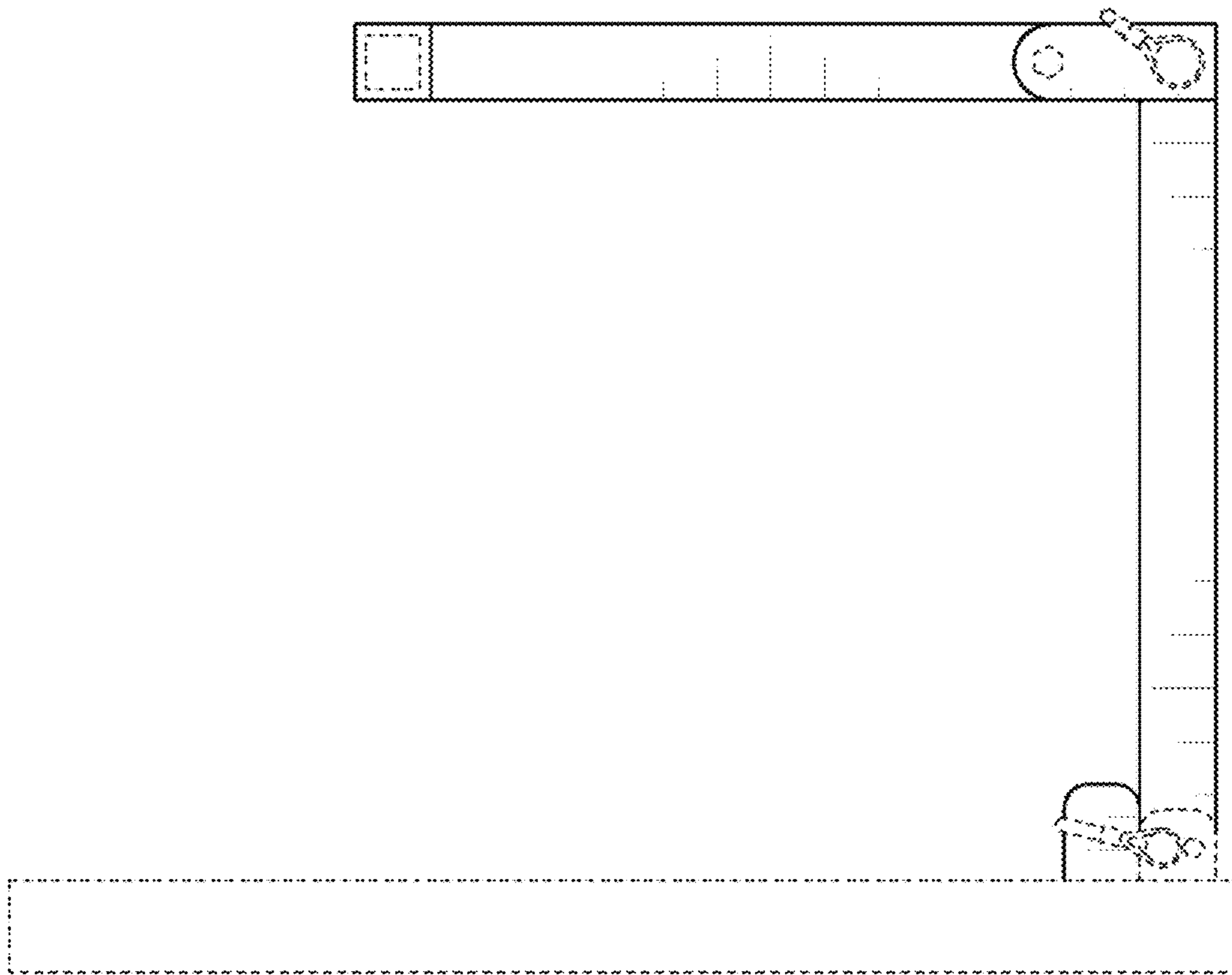


FIG. 26

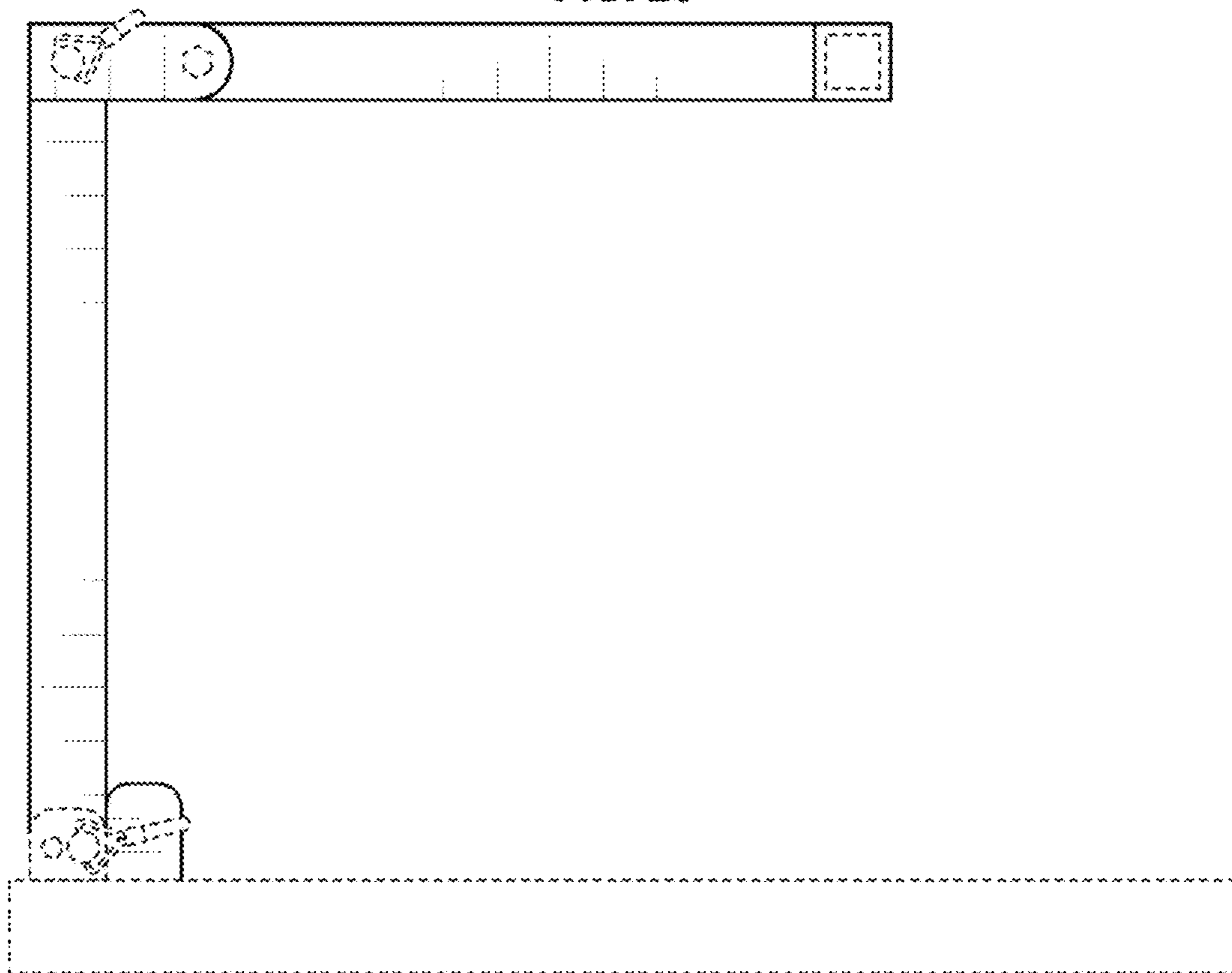


FIG. 27

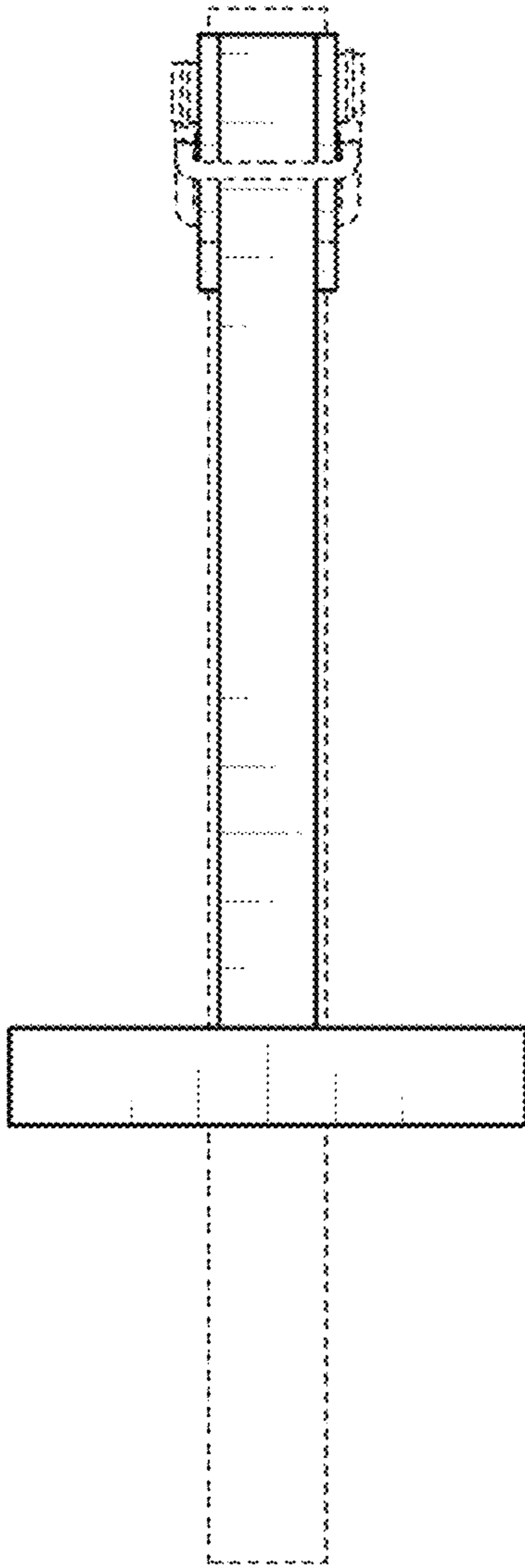


FIG. 28

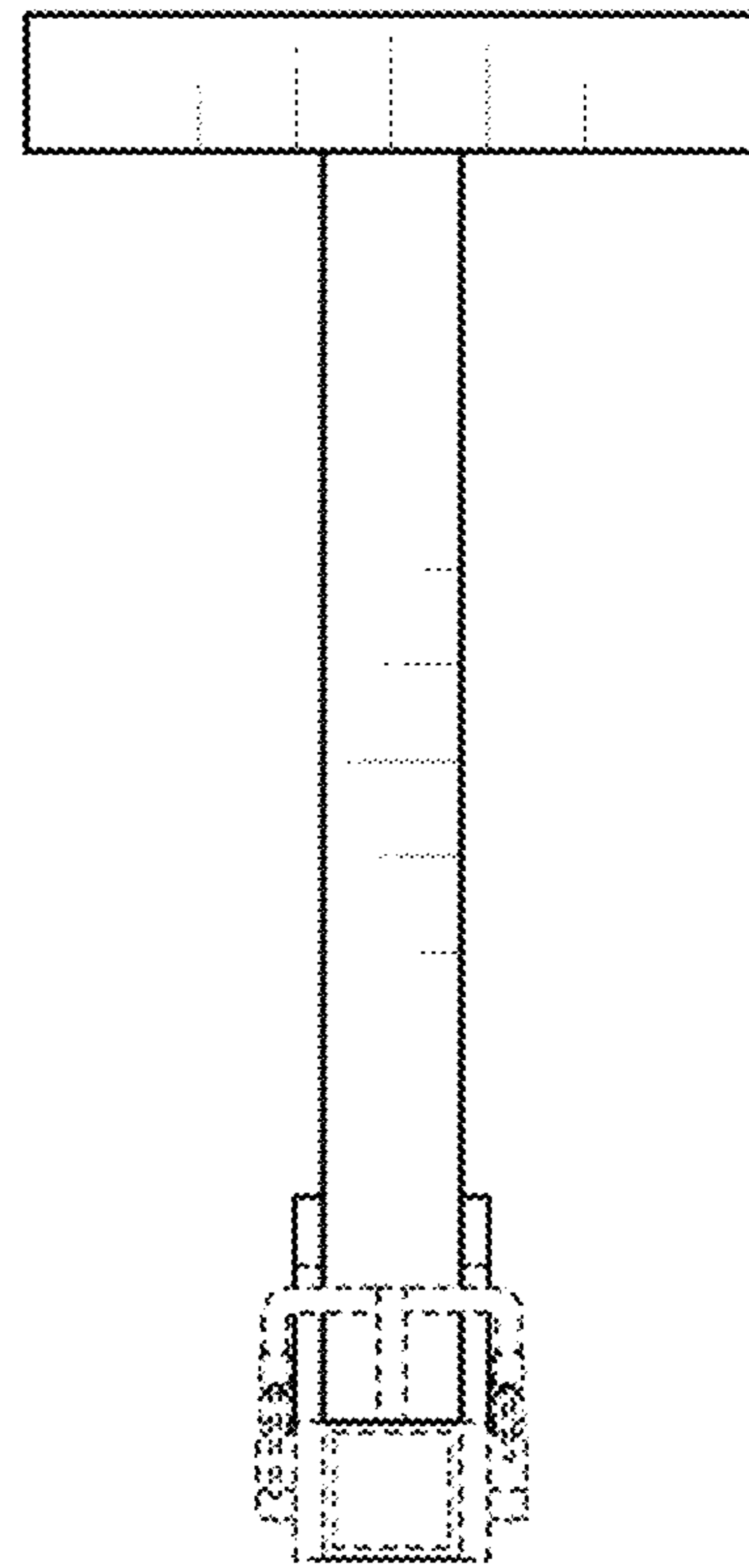


FIG. 29

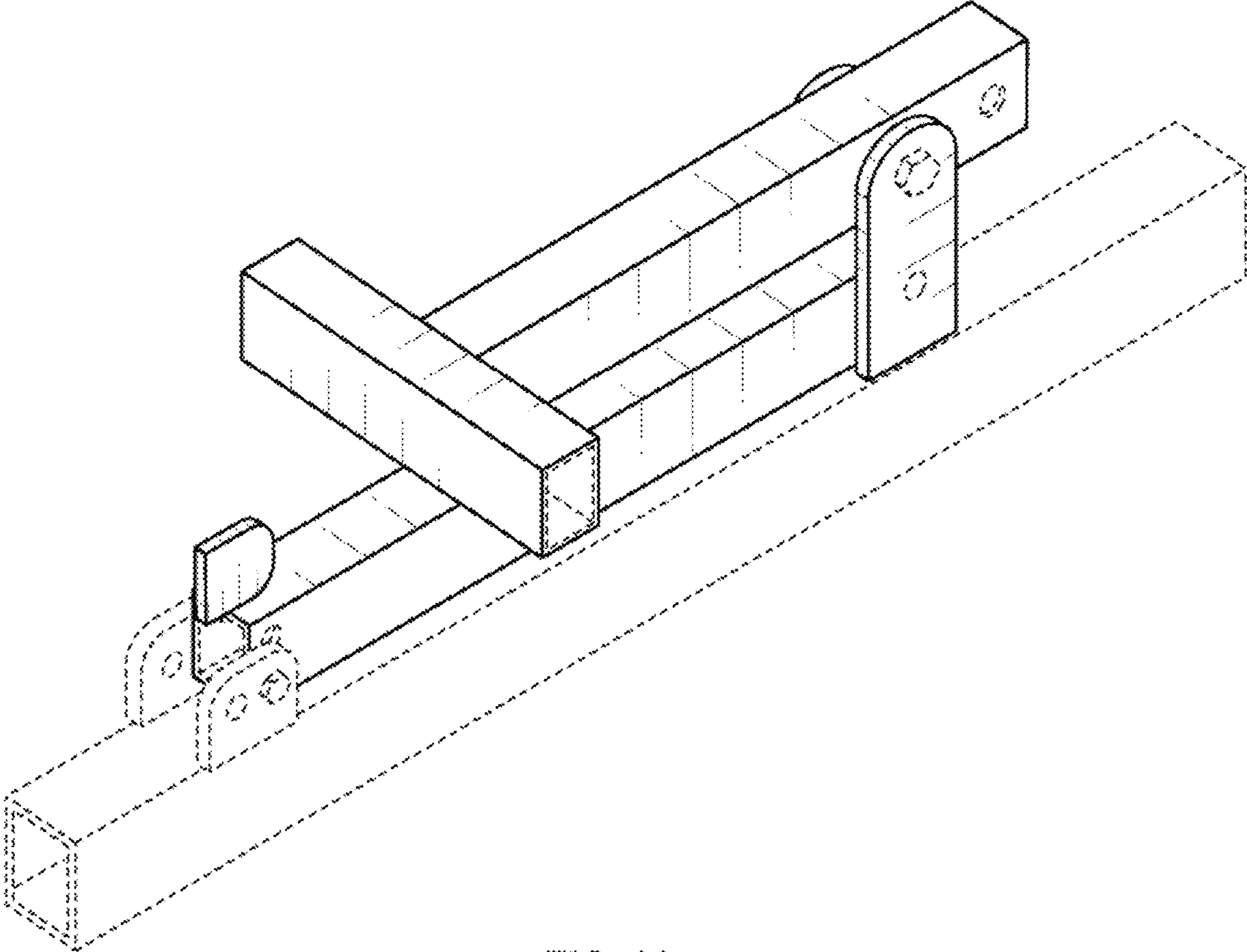


FIG. 30

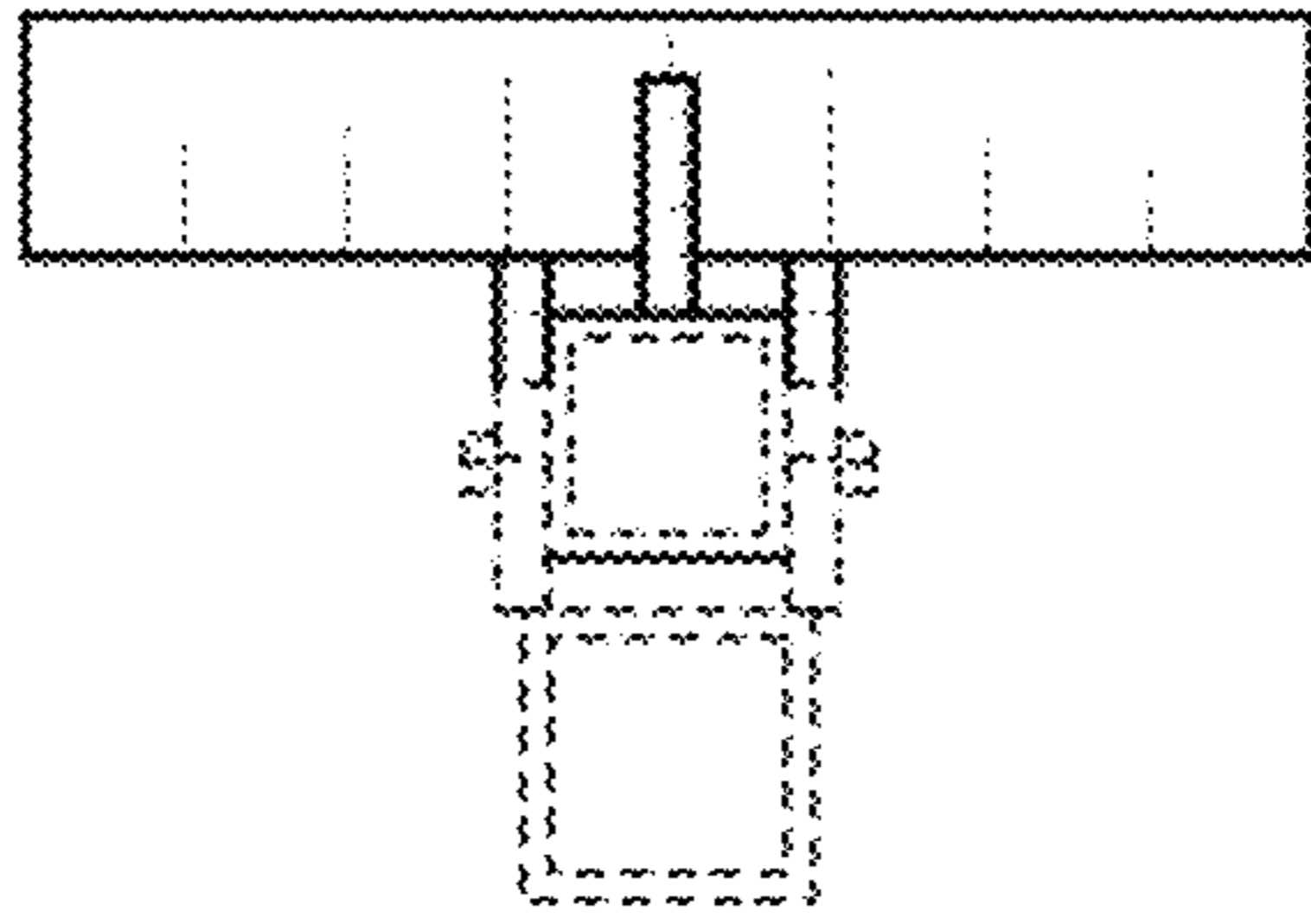


FIG. 31

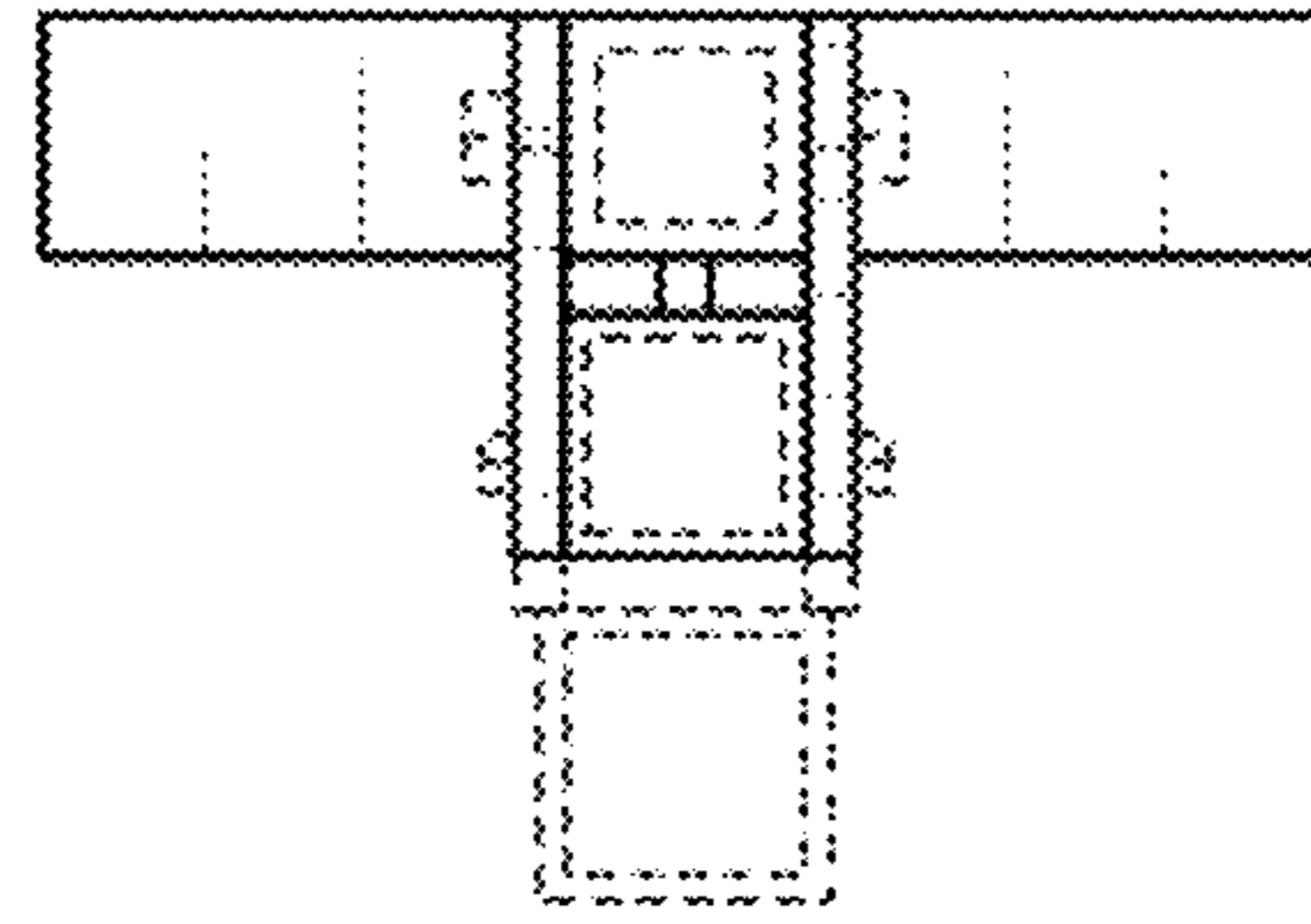


FIG. 32

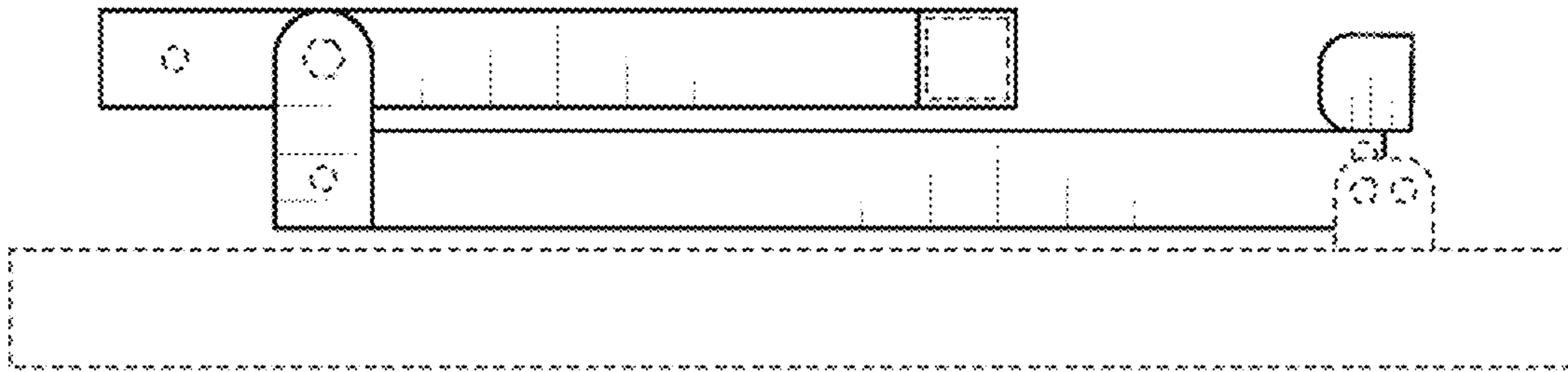


FIG. 33

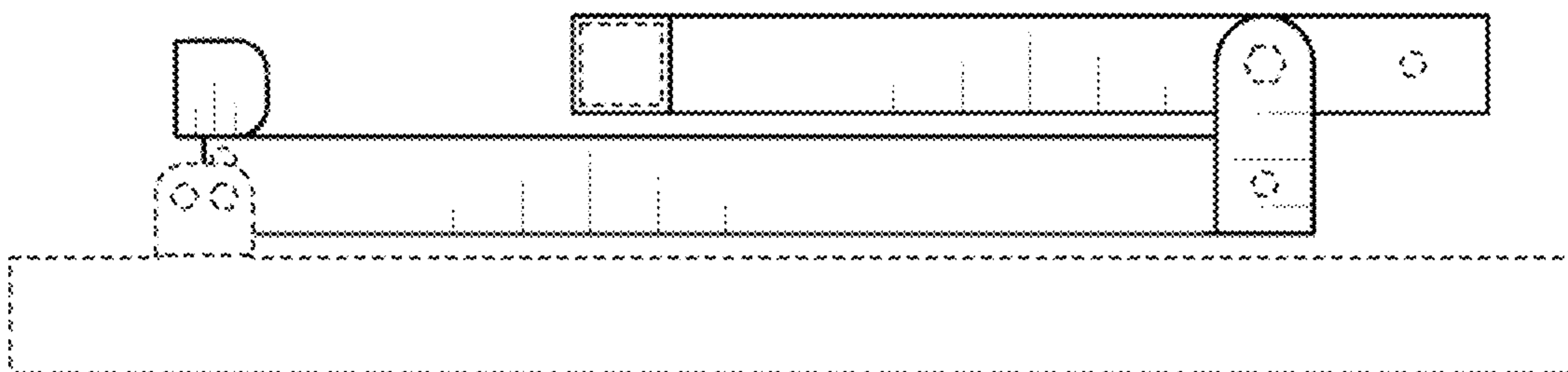


FIG. 34

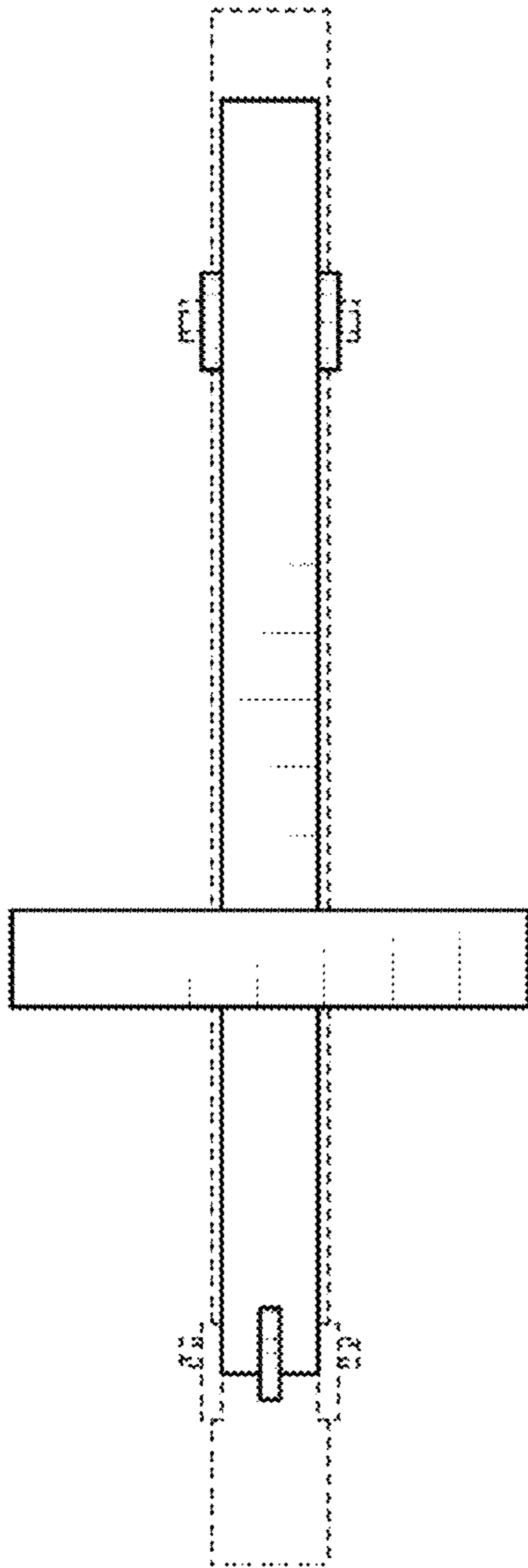


FIG. 35

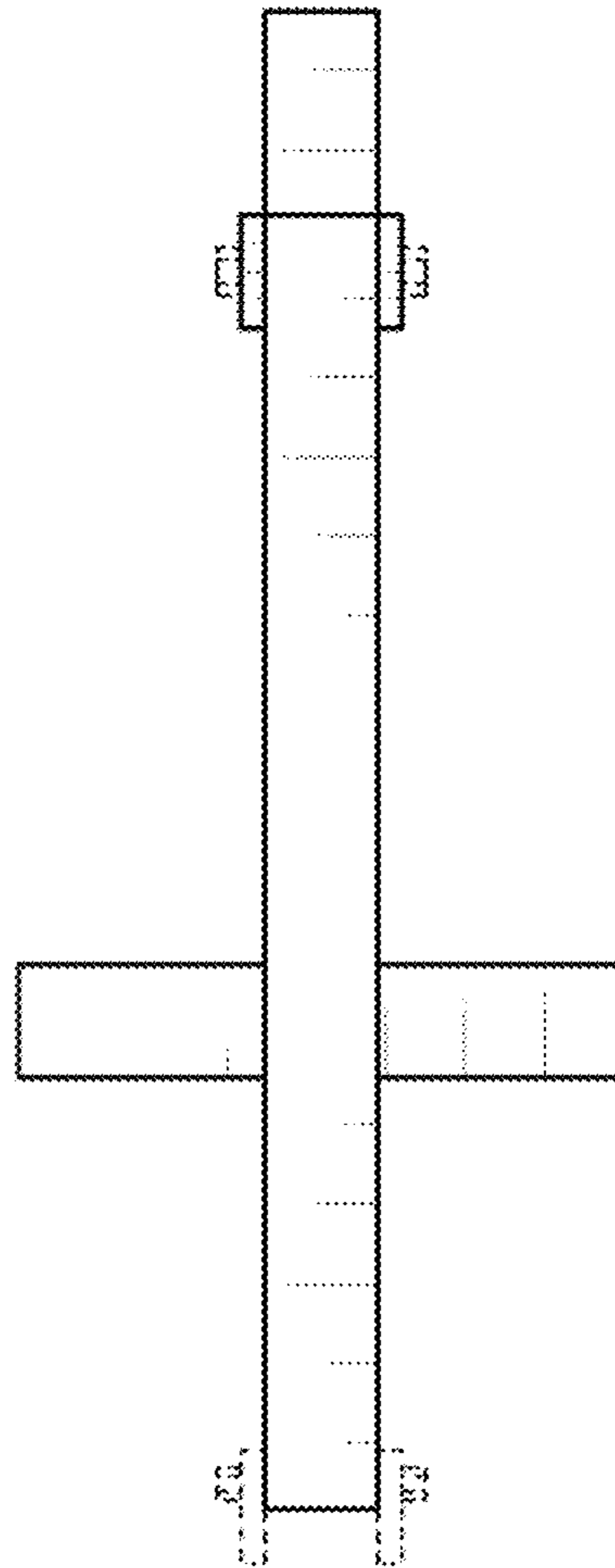


FIG. 36