



US00D938309S

(12) **United States Design Patent** (10) **Patent No.:** **US D938,309 S**
Honda et al. (45) **Date of Patent:** **** Dec. 14, 2021**

(54) **MOTOR VEHICLE AND/OR TOY REPLICA THEREOF**

(71) Applicant: **TOYOTA JIDOSHA KABUSHIKI KAISHA**, Toyota (JP)

(72) Inventors: **Nobuhiko Honda**, Nagakute (JP); **Pansoo Kwon**, Okazaki (JP); **Hideo Koyama**, Tokai (JP); **Daisuke Iguchi**, Chita-gun (JP)

(73) Assignee: **TOYOTA JIDOSHA KABUSHIKI KAISHA**

(**) Term: **15 Years**

(21) Appl. No.: **29/738,525**

(22) Filed: **Jun. 18, 2020**

(30) **Foreign Application Priority Data**

Dec. 20, 2019 (JP) 2019-028411

(51) **LOC (13) Cl.** **12-08**

(52) **U.S. Cl.**
USPC **D12/91**

(58) **Field of Classification Search**
USPC D12/86, 90-92, 164; D21/433, 434, D21/531-535; 296/181.1-181.5, 183.1
CPC B62D 25/00; B62D 25/06; B62D 33/00; B62D 35/00
See application file for complete search history.

(56) **References Cited**

U.S. PATENT DOCUMENTS

D570,251 S * 6/2008 Nakamura D12/91
D576,919 S * 9/2008 Ito D12/91
D589,401 S * 3/2009 Yokoi D12/91
D605,559 S * 12/2009 Iwasaki D12/91
D630,130 S * 1/2011 Ito D12/91
D630,972 S * 1/2011 Fujiwara D12/91

D637,110 S * 5/2011 Sperling D12/91
D641,291 S * 7/2011 Sperling D12/91
D710,253 S * 8/2014 Suzuki D12/91
D711,286 S * 8/2014 Suzuki D12/91
D727,209 S * 4/2015 Kawasaki D12/91
D774,426 S * 12/2016 Cartabiano D12/164
D867,929 S * 11/2019 Choi D12/91
D869,338 S * 12/2019 Shim D12/91
D890,031 S * 7/2020 Metros D12/91
D918,091 S * 5/2021 Kato D12/92

OTHER PUBLICATIONS

netcarshow.com, Porsche Cayenne Coupe (2020), <https://www.netcarshow.com/porsche/2020-cayenne_turbo_coupe/>, available as early as Mar. 22, 2019.
netcarshow.com, Mercedes-Benz EQC (2020), <<https://www.netcarshow.com/mercedes-benz/2020-eqc/>>, available as early as Mar. 22, 2019.

* cited by examiner

Primary Examiner — Melody N Brown

(74) *Attorney, Agent, or Firm* — Saidman DesignLaw Group, LLC

(57) **CLAIM**

The ornamental design for a motor vehicle and/or toy replica thereof, as shown and described.

DESCRIPTION

FIG. 1 is a left, front perspective view of a motor vehicle and/or toy replica thereof showing our new design; FIG. 2 is a left, rear perspective view thereof; FIG. 3 is a right, front perspective view thereof; FIG. 4 is a right, rear perspective view thereof; FIG. 5 is a left side view thereof; FIG. 6 is a right side view thereof; FIG. 7 is a rear view thereof; FIG. 8 is a front view thereof; and, FIG. 9 is a top view thereof.

1 Claim, 9 Drawing Sheets





FIG. 1

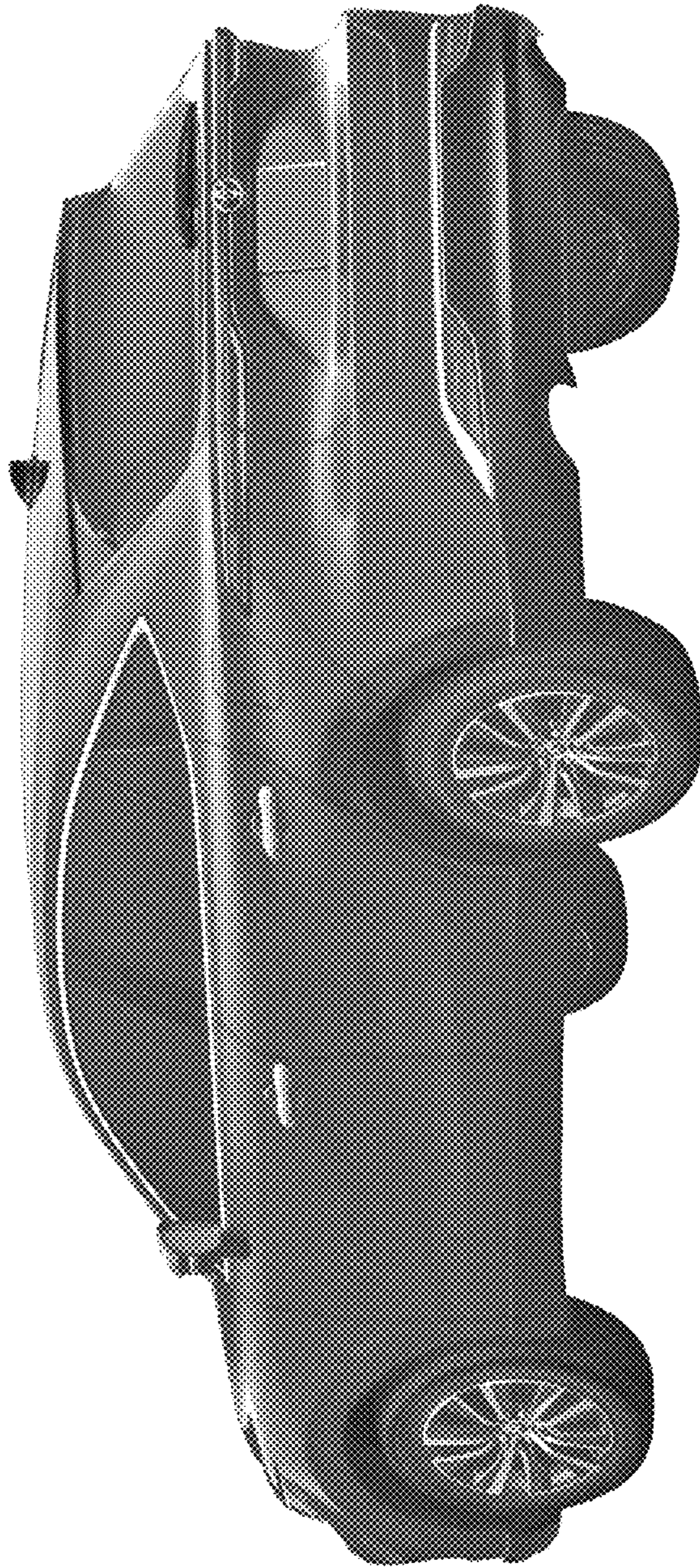


FIG. 2



FIG. 3

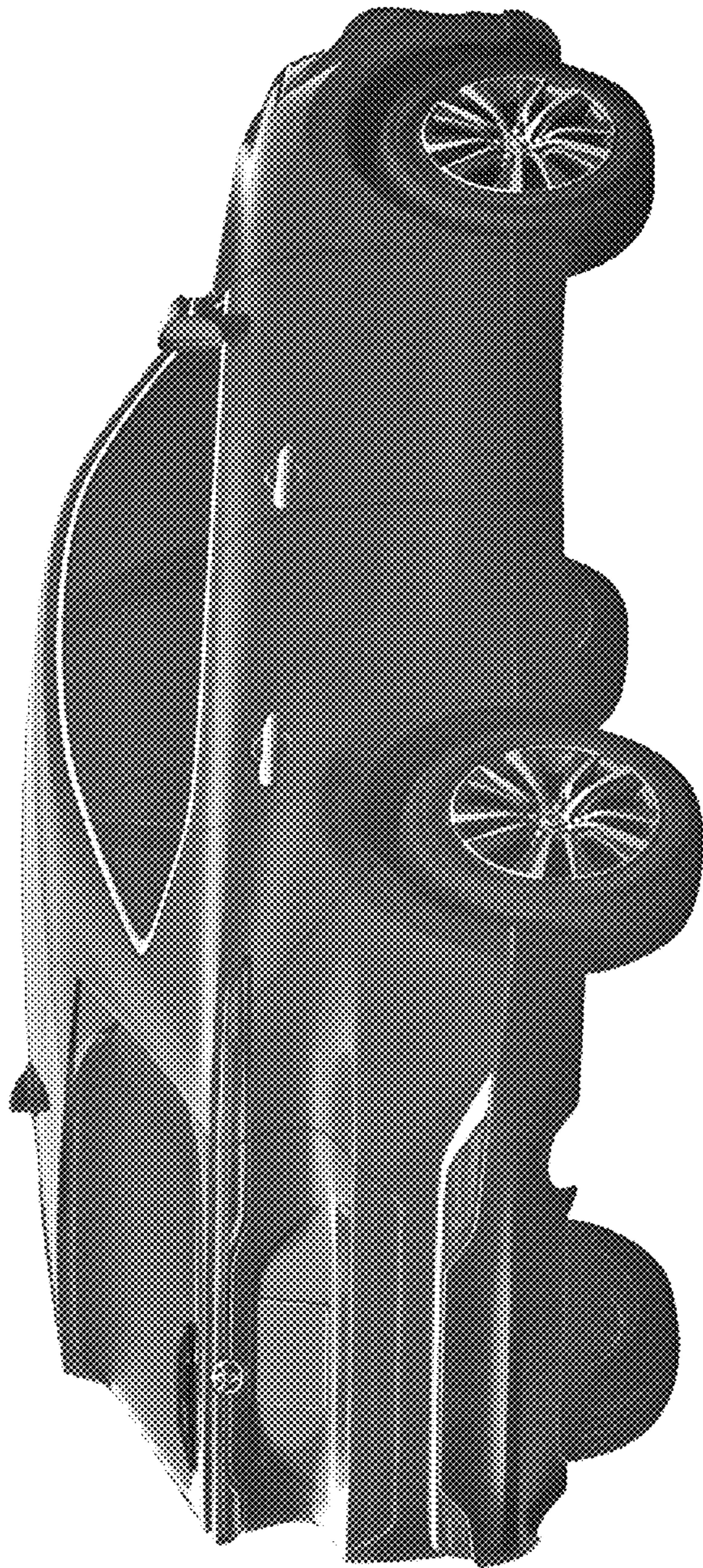


FIG. 4

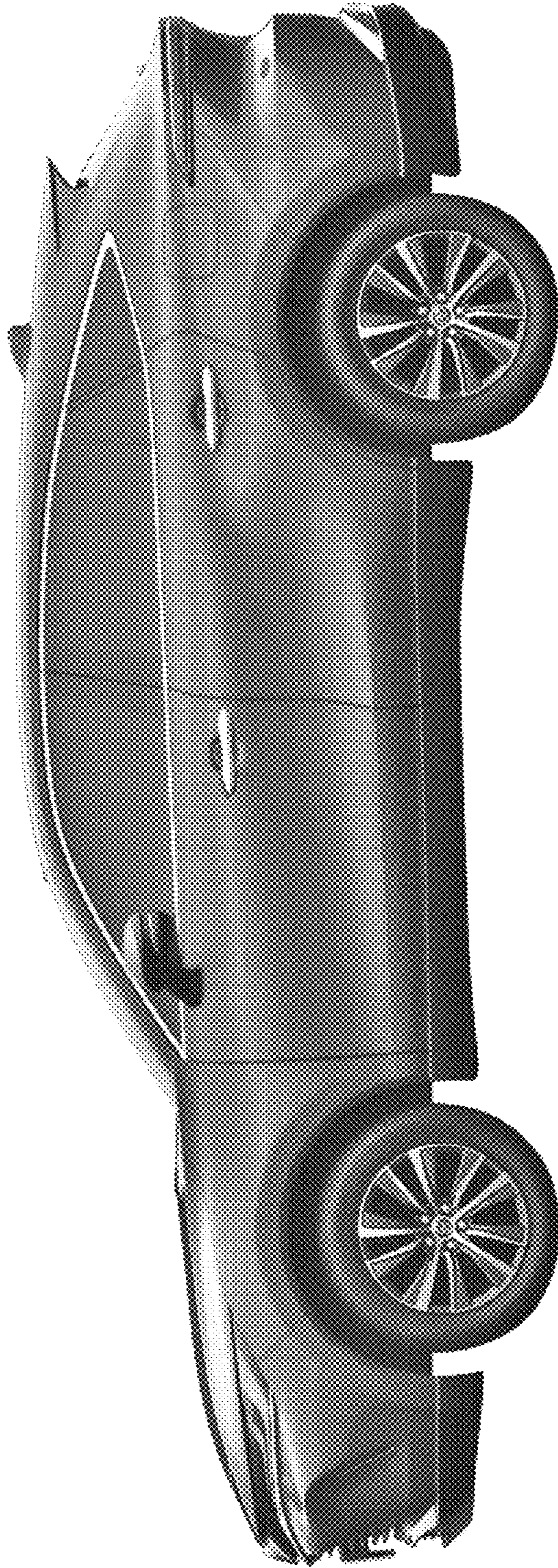


FIG. 5

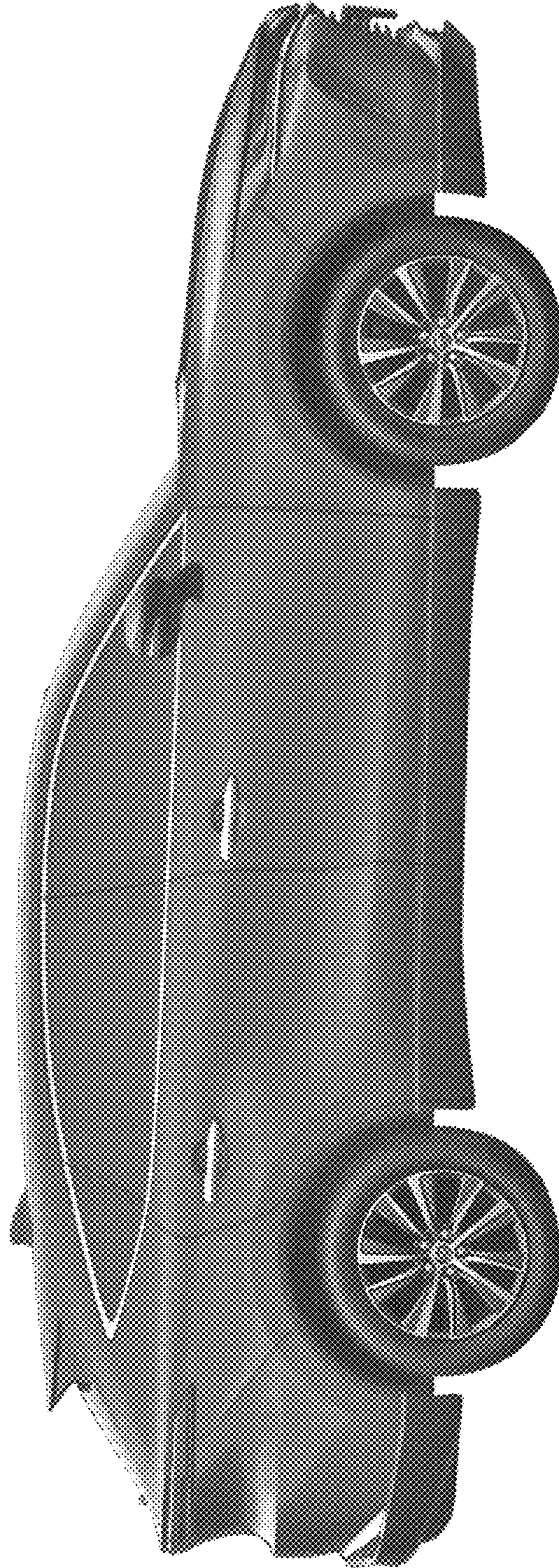


FIG. 6

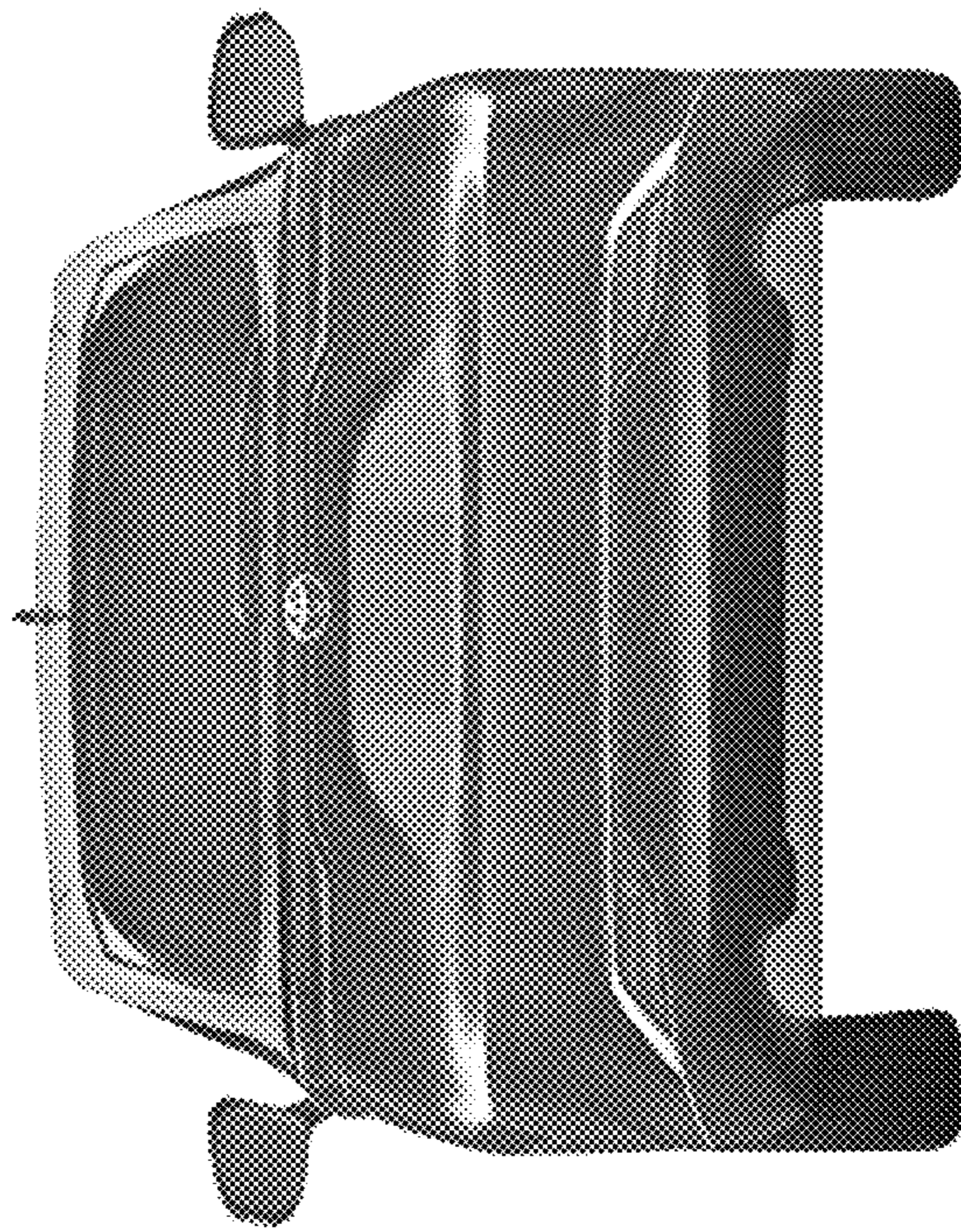


FIG. 7

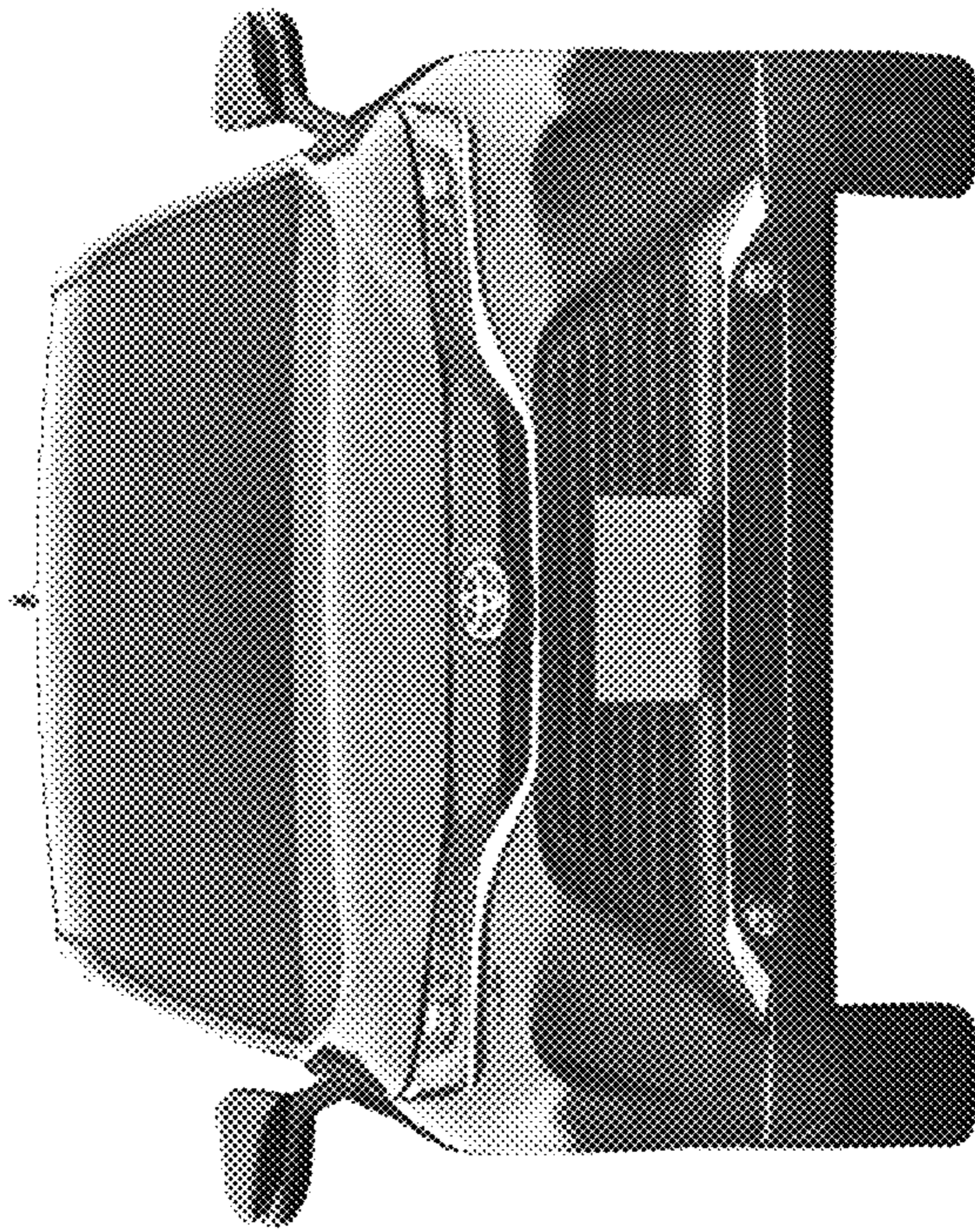


FIG. 8

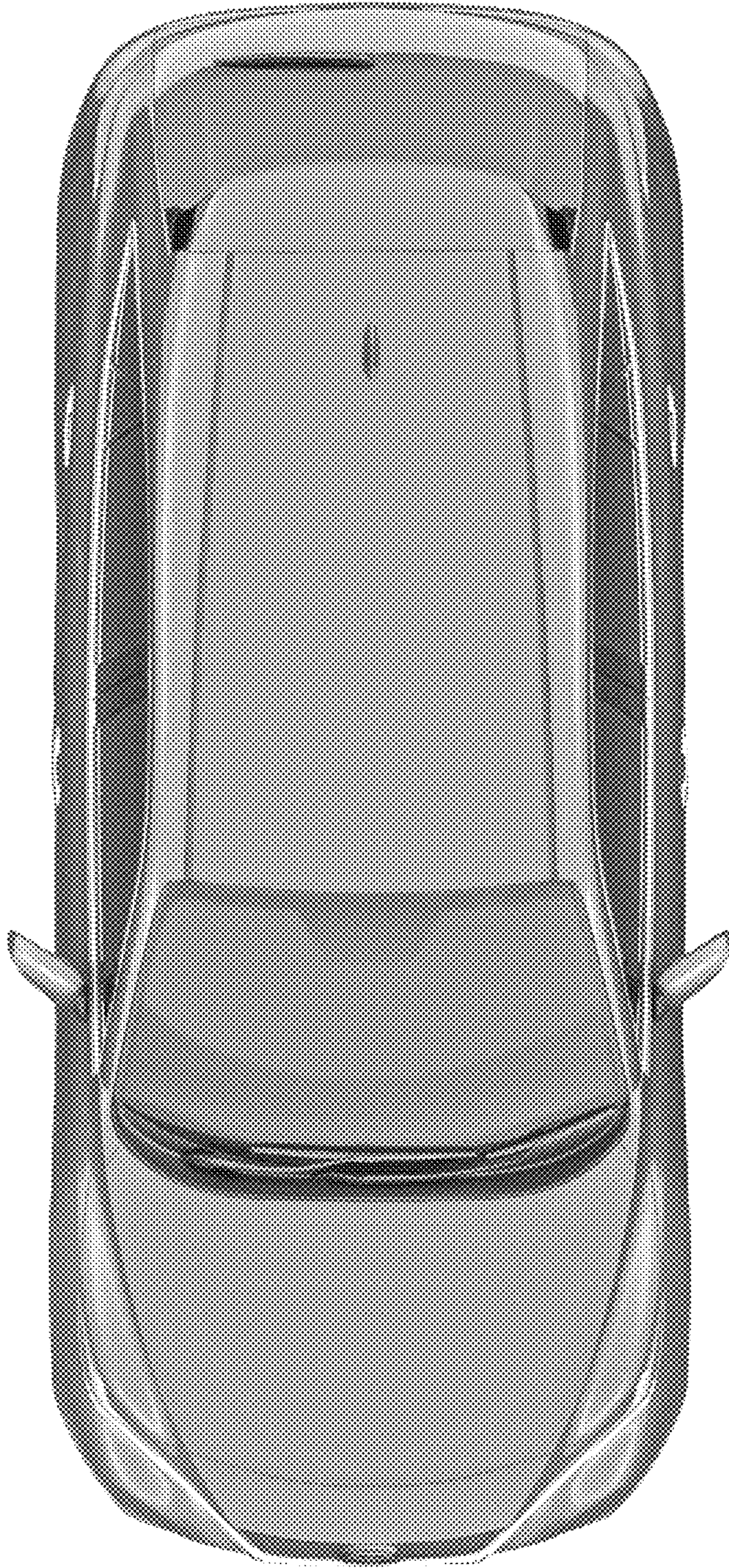


FIG. 9