



US00D938308S

(12) **United States Design Patent** (10) **Patent No.:** **US D938,308 S**
Hayashi et al. (45) **Date of Patent:** **** Dec. 14, 2021**

(54) **MOTOR VEHICLE AND/OR TOY REPLICA THEREOF**

(71) Applicant: **TOYOTA JIDOSHA KABUSHIKI KAISHA**, Toyota (JP)

(72) Inventors: **Hideki Hayashi**, Toyota (JP); **Masayuki Yamada**, Nisshin (JP); **Junya Furuta**, Nagoya (JP); **Lu Yi**, Nagoya (JP); **Masaaki Yagi**, Miyoshi (JP); **Hiroki Kato**, Toyota (JP); **Shingo Hatori**, Hachioji (JP); **Eishi Suzuki**, Itabashi-ku (JP); **Yuma Hoshino**, Hino (JP)

(73) Assignee: **TOYOTA JIDOSHA KABUSHIKI KAISHA**

(**) Term: **15 Years**

(21) Appl. No.: **29/737,855**

(22) Filed: **Jun. 12, 2020**

(30) **Foreign Application Priority Data**

Dec. 16, 2019 (JP) 2019-027817

(51) **LOC (13) Cl.** **12-08**

(52) **U.S. Cl.**
USPC **D12/91**

(58) **Field of Classification Search**
USPC D12/86, 90-92, 164; D21/433, 434, D21/531-535; 296/181.1-181.5, 183.1
CPC B62D 25/00; B62D 25/06; B62D 33/00; B62D 35/00
See application file for complete search history.

(56) **References Cited**

U.S. PATENT DOCUMENTS

D570,251 S * 6/2008 Nakamura D12/91
D576,919 S * 9/2008 Ito D12/91

D589,401 S * 3/2009 Yokoi D12/91
D605,559 S * 12/2009 Iwasaki D12/91
D630,130 S * 1/2011 Ito D12/91
D630,972 S * 1/2011 Fujiwara D12/91
D637,110 S * 5/2011 Sperling D12/91
D641,291 S * 7/2011 Sperling D12/91
D710,253 S * 8/2014 Suzuki D12/91
D711,286 S * 8/2014 Suzuki D12/91
D774,426 S * 12/2016 Cartabiano D12/164
D867,929 S * 11/2019 Choi D12/91
D869,338 S * 12/2019 Shim D12/91
D890,031 S * 7/2020 Metros D12/91

OTHER PUBLICATIONS

netcarshow.com, Toyota Highlander (2020), <<https://www.netcarshow.com/toyota/2020-highlander/>>, available as early as Sep. 3, 2019.

(Continued)

Primary Examiner — Melody N Brown

(74) *Attorney, Agent, or Firm* — Saidman DesignLaw Group, LLC

(57) **CLAIM**

The ornamental design for a motor vehicle and/or toy replica thereof, as shown and described.

DESCRIPTION

FIG. 1 is a left, front perspective view of a motor vehicle and/or toy replica thereof showing our new design; FIG. 2 is a left, rear perspective view thereof; FIG. 3 is a right, front perspective view thereof; FIG. 4 is a right, rear perspective view thereof; FIG. 5 is a left side view thereof; FIG. 6 is a right side view thereof; FIG. 7 is a rear view thereof; FIG. 8 is a front view thereof; and, FIG. 9 is a top view thereof.

1 Claim, 9 Drawing Sheets



(56)

References Cited

OTHER PUBLICATIONS

netcarshow.com, Nissan Infiniti QX50 (2019), <<https://www.netcarshow.com/infiniti/2019-qx50/>>, available as early as Sep. 3, 2019.

netcarshow.com, Honda Acura MDX (2017), <<https://www.netcarshow.com/acura/2017-mdx/>>, available as early as Sep. 3, 2019.

* cited by examiner



FIG. 1



FIG. 2

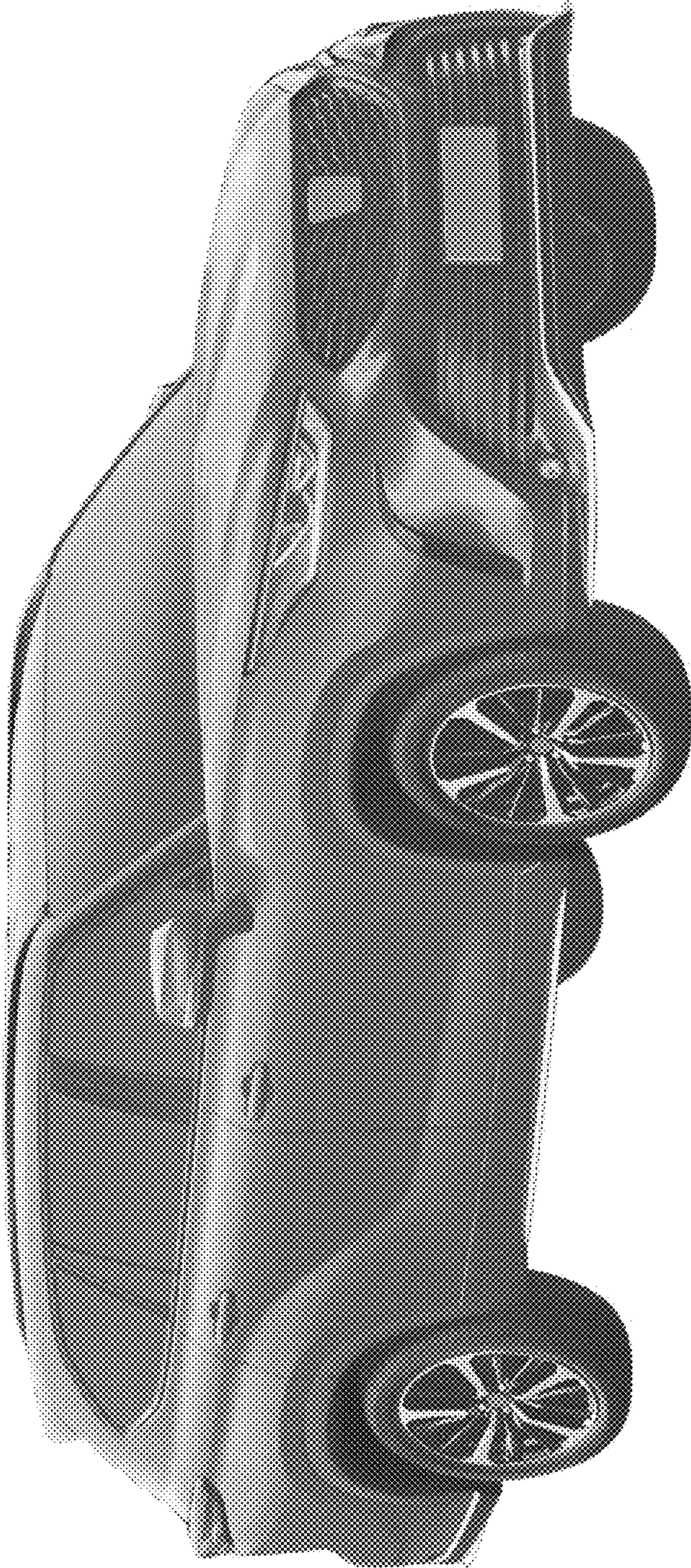


FIG. 3

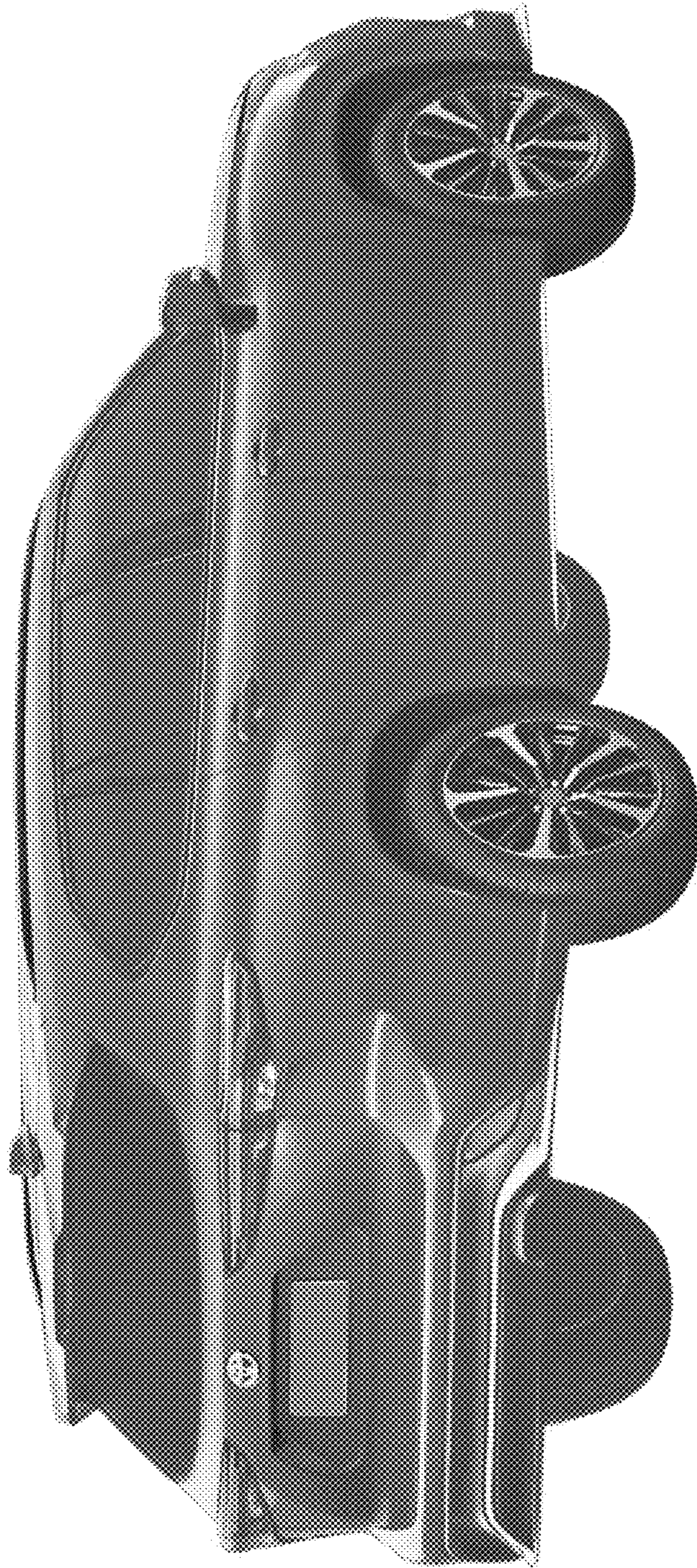


FIG. 4

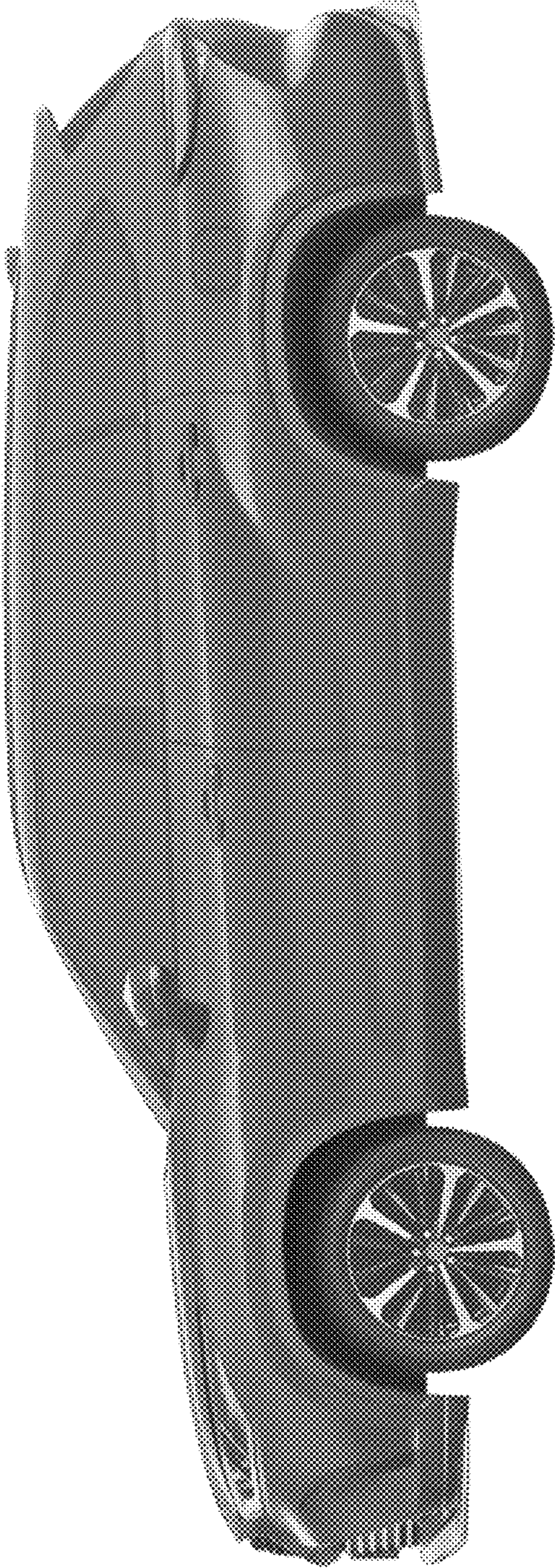


FIG. 5

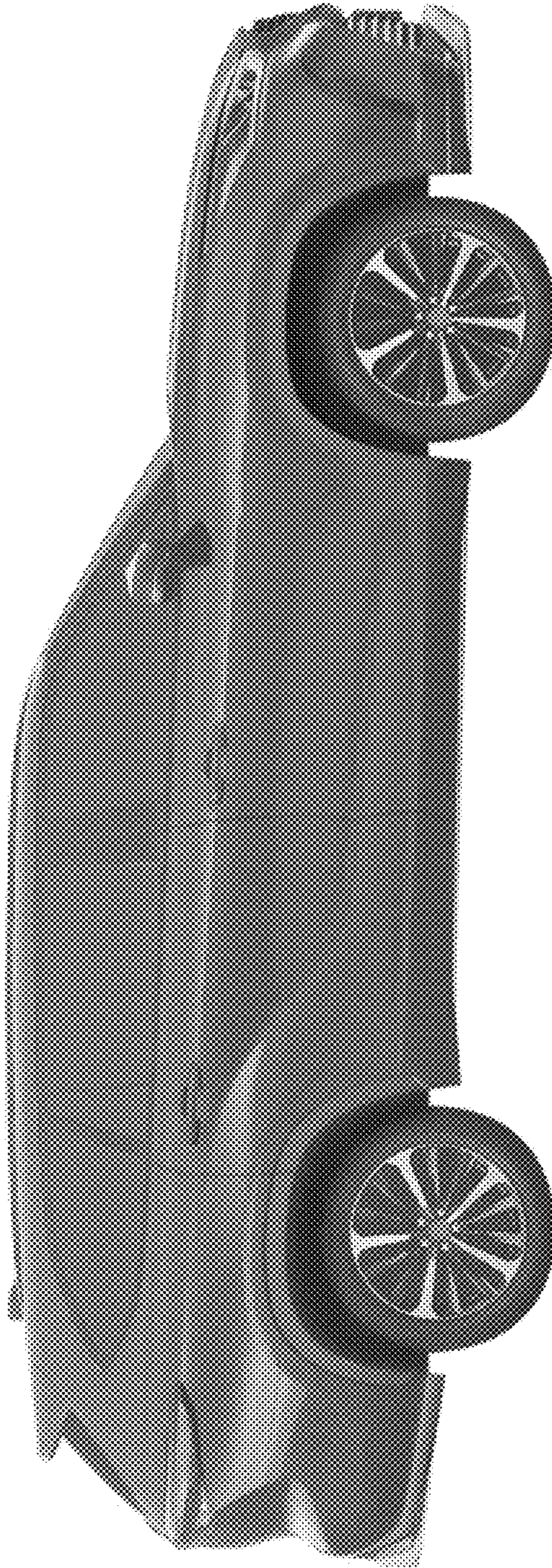


FIG. 6

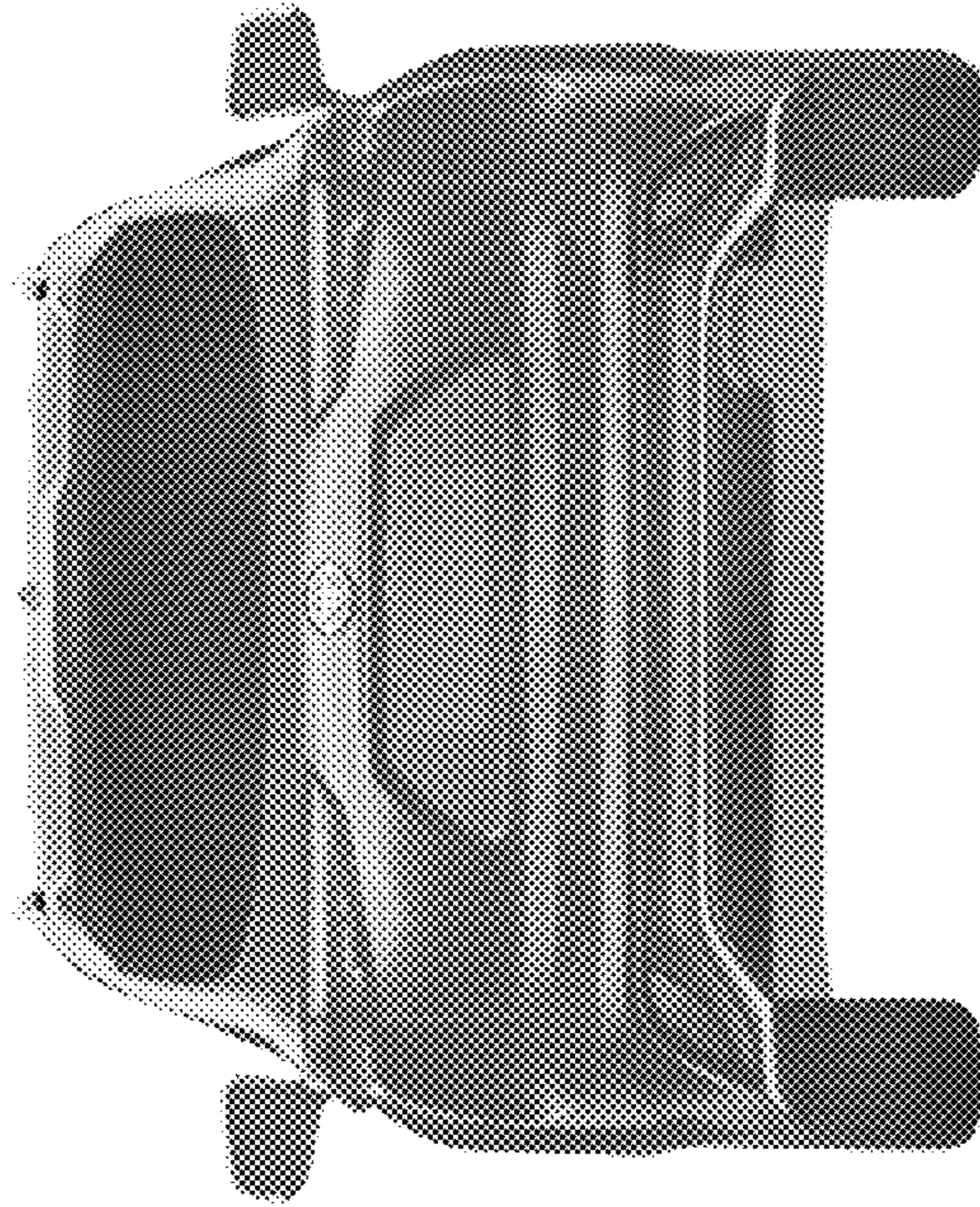


FIG. 7

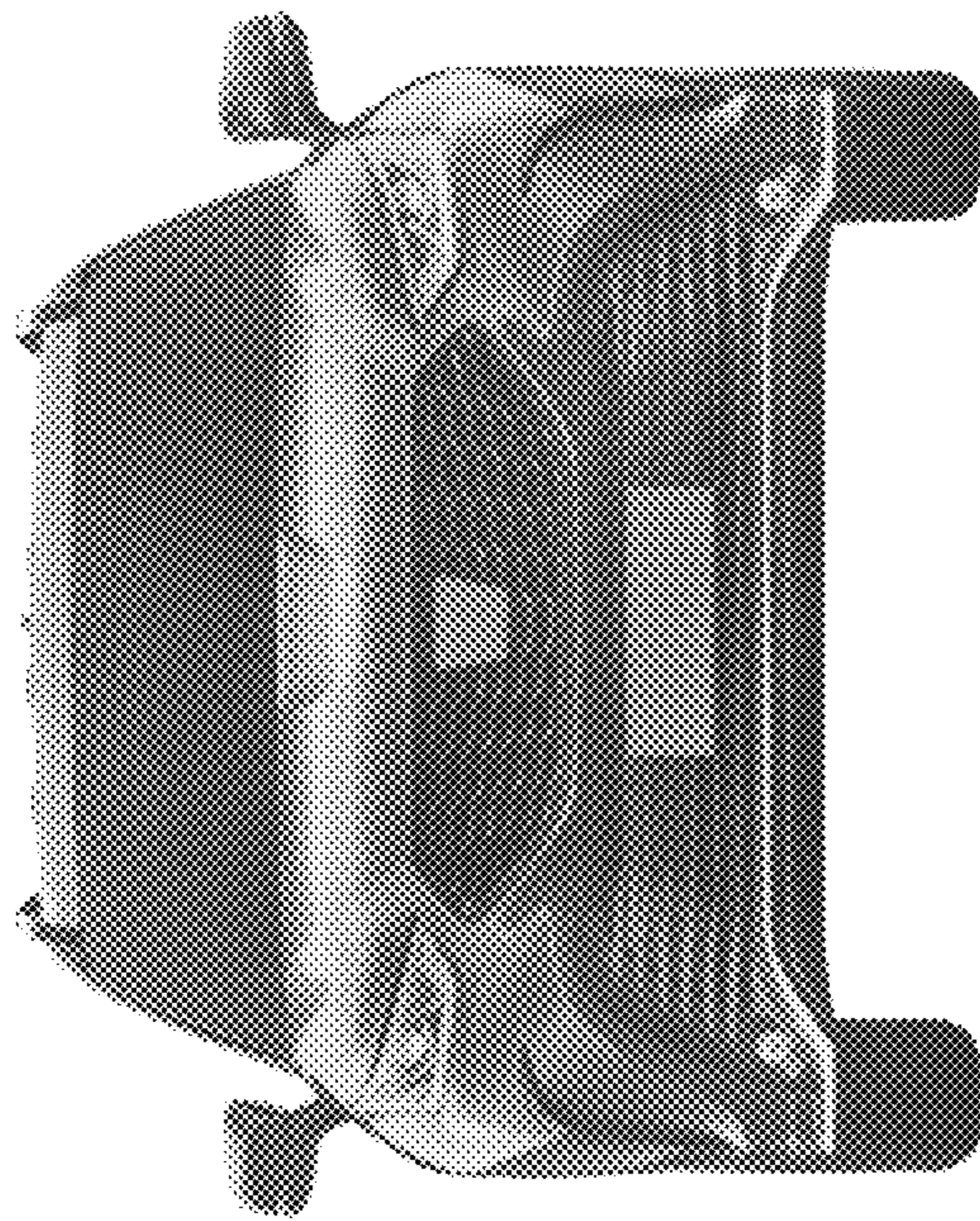


FIG. 8



FIG. 9