



US00D938307S

(12) **United States Design Patent**  
**Hall et al.**

(10) **Patent No.:** **US D938,307 S**

(45) **Date of Patent:** **\*\* Dec. 14, 2021**

(54) **UTILITY TERRAIN VEHICLE**

(71) Applicant: **Vanderhall Motor Works, Inc.**, Provo, UT (US)

(72) Inventors: **Stephen Hall**, Draper, UT (US); **David R. Hall**, Provo, UT (US); **Levi Ellis**, Springville, UT (US)

(\*\*) Term: **15 Years**

(21) Appl. No.: **29/739,513**

(22) Filed: **Jun. 25, 2020**

(51) **LOC (13) Cl.** ..... **12-08**

(52) **U.S. Cl.**  
USPC ..... **D12/87; D12/107**

(58) **Field of Classification Search**  
USPC ..... D12/3, 86, 87, 107, 110  
CPC ..... B60K 5/12; B60K 13/04; B60K 17/354  
See application file for complete search history.

(56) **References Cited**

**U.S. PATENT DOCUMENTS**

D606,900 S	*	12/2009	Flores	.....	D12/87
D625,662 S	*	10/2010	Li	.....	D12/87
D670,198 S	*	11/2012	Li	.....	D12/14
D679,627 S	*	4/2013	Li	.....	D12/14
D682,737 S	*	5/2013	Li	.....	D12/14
D682,738 S	*	5/2013	Li	.....	D12/14
D694,668 S	*	12/2013	Li	.....	D12/14
D699,627 S	*	2/2014	Tang	.....	D12/14
D756,845 S	*	5/2016	Flores	.....	D12/87
D862,286 S	*	10/2019	Flores	.....	D12/87
D886,678 S	*	6/2020	Lai	.....	D12/87
D908,536 S	*	1/2021	Ye	.....	D12/87
D913,847 S	*	3/2021	Hashimoto	.....	D12/87
2016/0332536 A1	*	11/2016	Weber	.....	B60G 11/48

**FOREIGN PATENT DOCUMENTS**

CN 306284100 \* 1/2021

**OTHER PUBLICATIONS**

“Vanderhall Plans 300 HP Navarro Electric” Vanderhall., posted date Mar. 11, 2021 [online], [retrieved on Jul. 14, 2021]. Retrieved from the Internet <URL: <https://www.utvdriver.com/story/new-utvs/vanderhall-release-300-hp-navarro-electric-side-by-side-2022/>> (Year: 2021).\*

“Vanderhall’s First Four-wheel Electric Vehicle” Vanderhall., posted date Feb. 23, 2021 [online], [retrieved on Jul. 14, 2021]. Retrieved from the Internet <URL: <https://mikesouts.com/2022-vanderhall-navarro-electric-vehicle/>> (Year: 2021).\*

“Vanderhall Navarro Electric Off-Roader” Vanderhall., posted date Sep. 15, 2020 [online], [retrieved on Jul. 14, 2021]. Retrieved from the Internet <URL: [https://www.motorauthority.com/news/1129610\\_vanderhall-navarro-electric-off-roader-coming-for-2022/](https://www.motorauthority.com/news/1129610_vanderhall-navarro-electric-off-roader-coming-for-2022/)> (Year: 2020).\*

\* cited by examiner

*Primary Examiner* — Darlington Ly

*Assistant Examiner* — Nasim Abdulaziz Ali

(74) *Attorney, Agent, or Firm* — Jedediah Knight

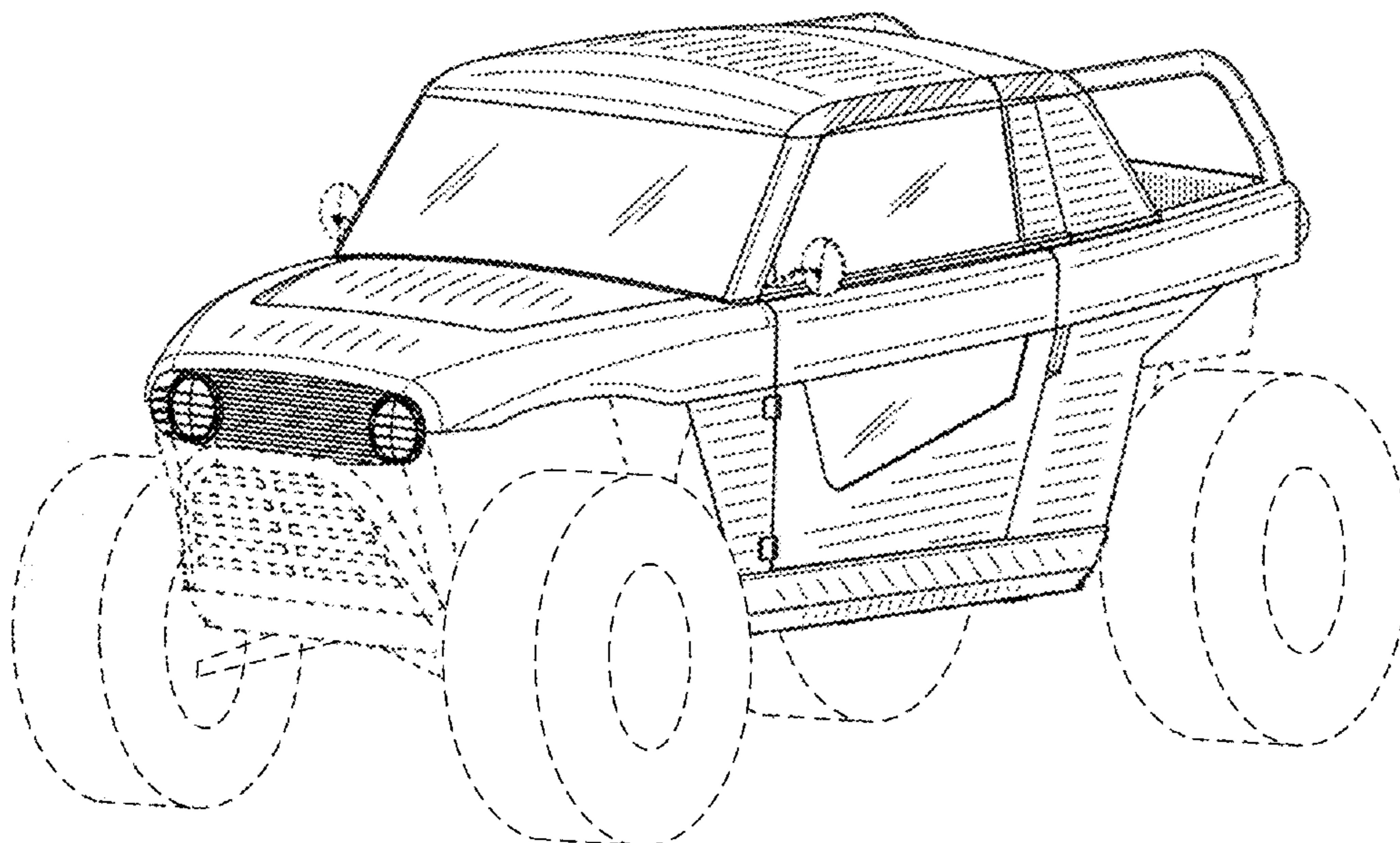
(57) **CLAIM**

The ornamental design for a utility terrain vehicle, as shown and described.

**DESCRIPTION**

FIG. 1 is a top, front, and left side perspective view of a utility terrain vehicle embodying our new design; FIG. 2 is a front elevation view thereof; FIG. 3 is a rear elevation view thereof; FIG. 4 is a top plan view thereof; FIG. 5 is a right side elevation view thereof; and, FIG. 6 is a left side elevation view thereof. The broken lines in the drawings illustrate portions of the utility terrain vehicle that form no part of the claimed design.

**1 Claim, 6 Drawing Sheets**





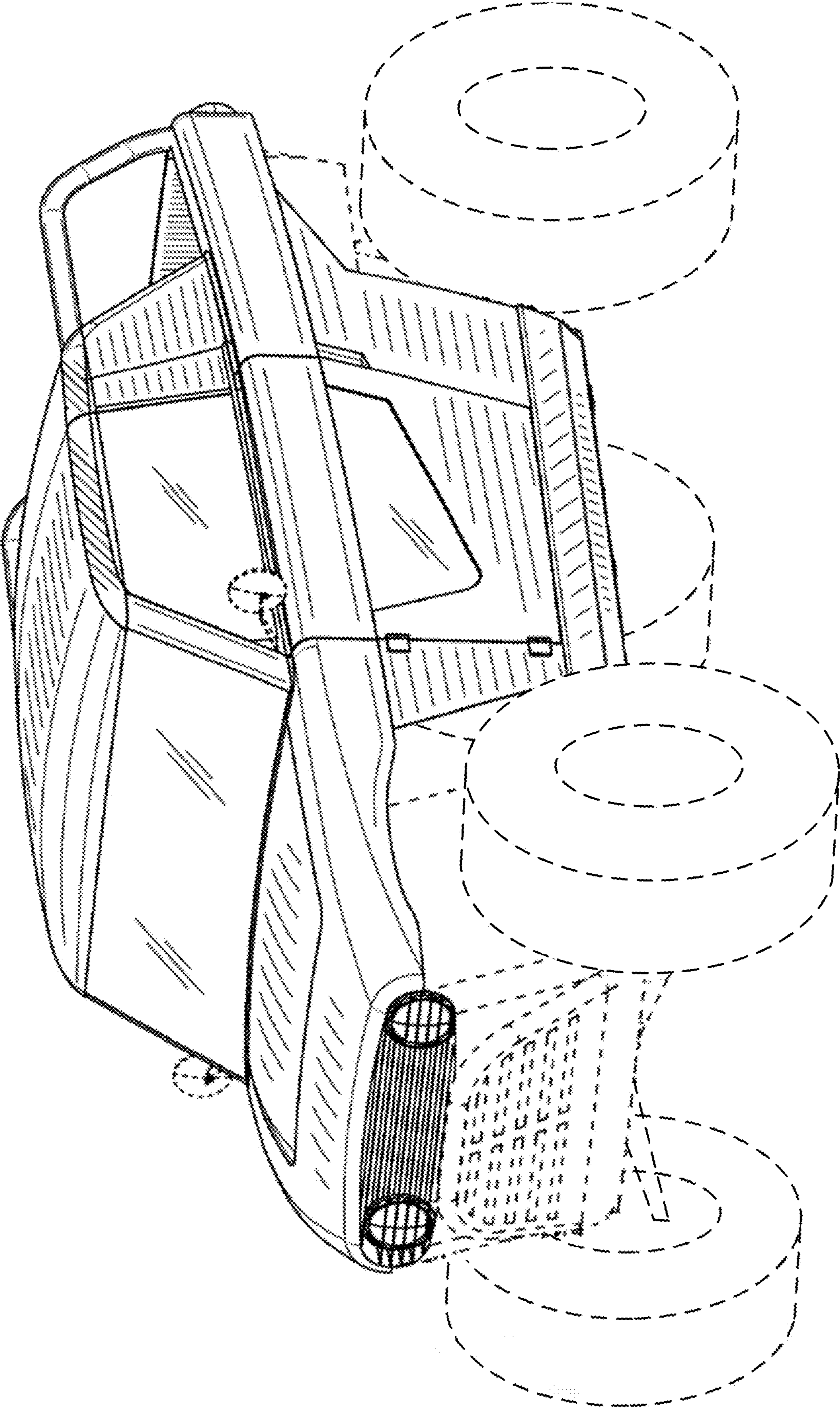


FIG. 1

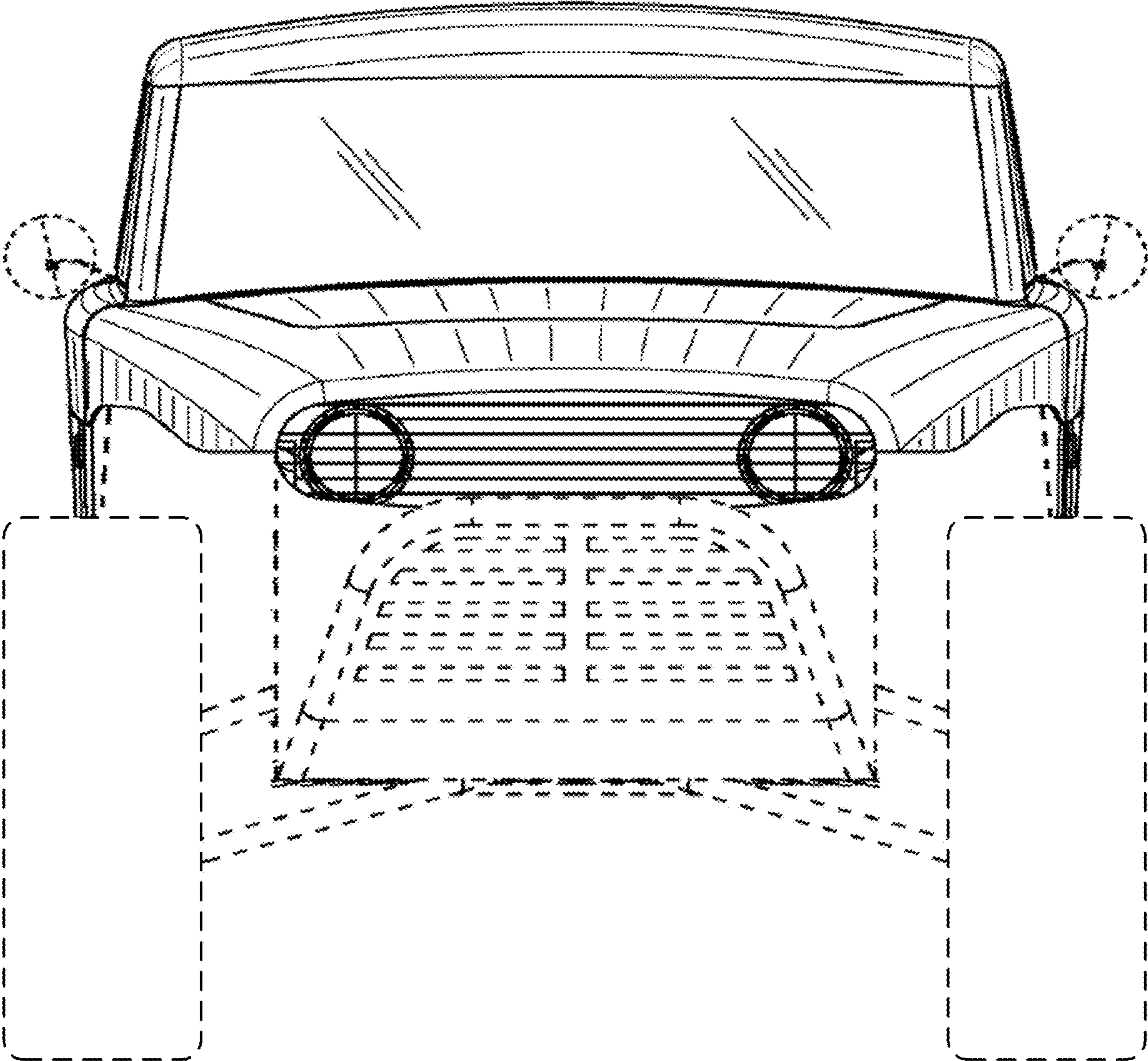


FIG. 2



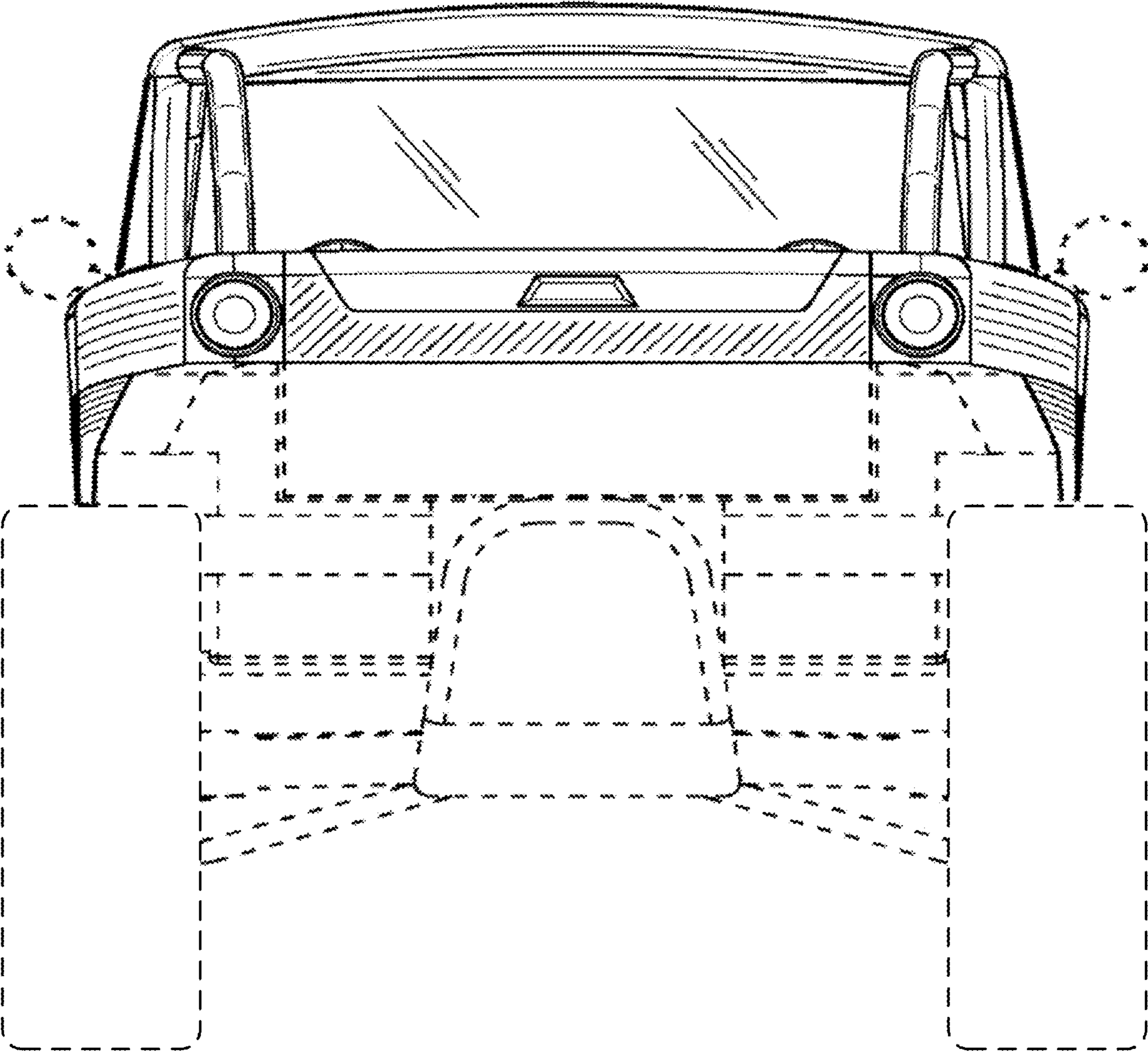


FIG. 3

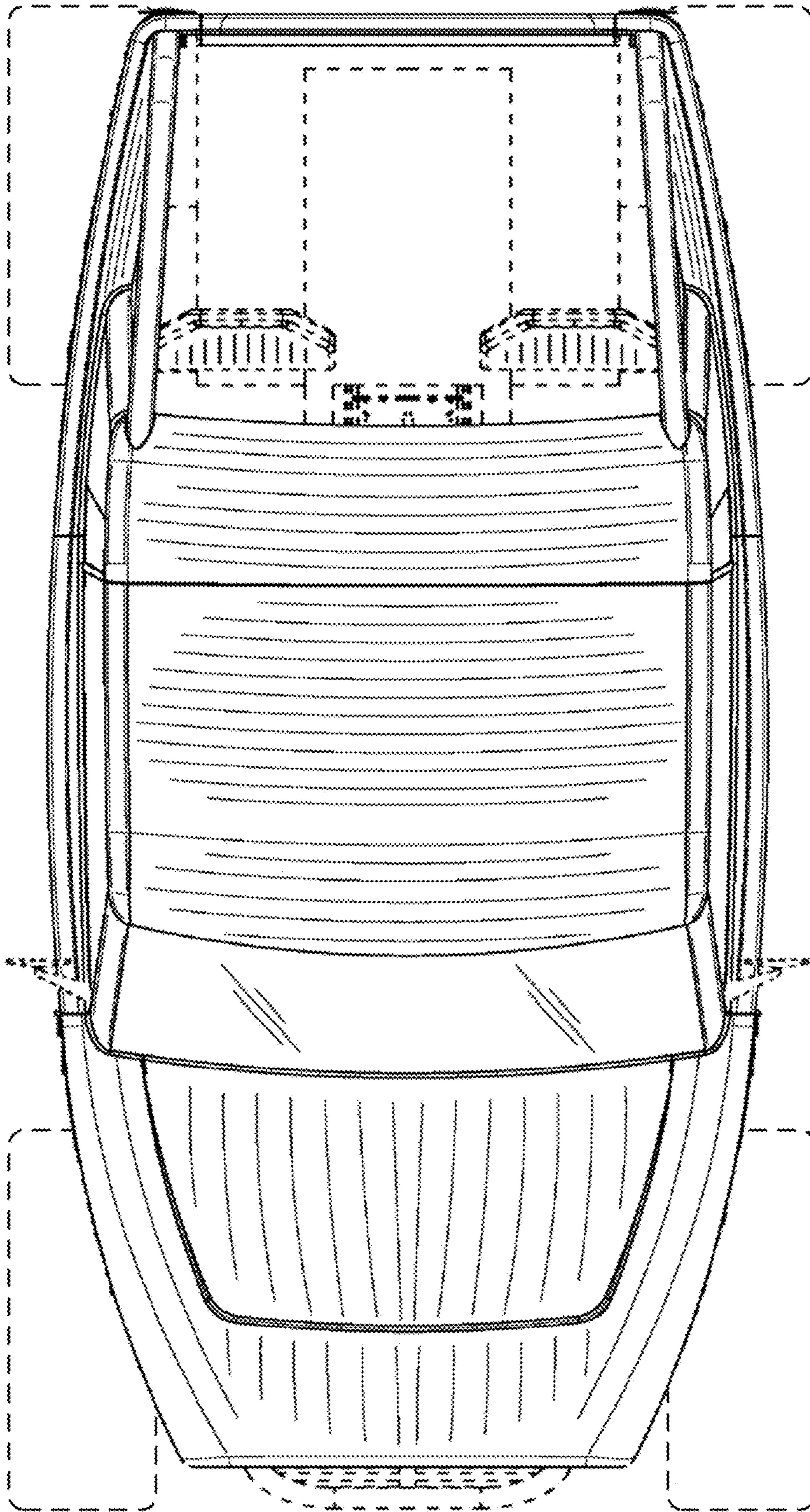


FIG. 4



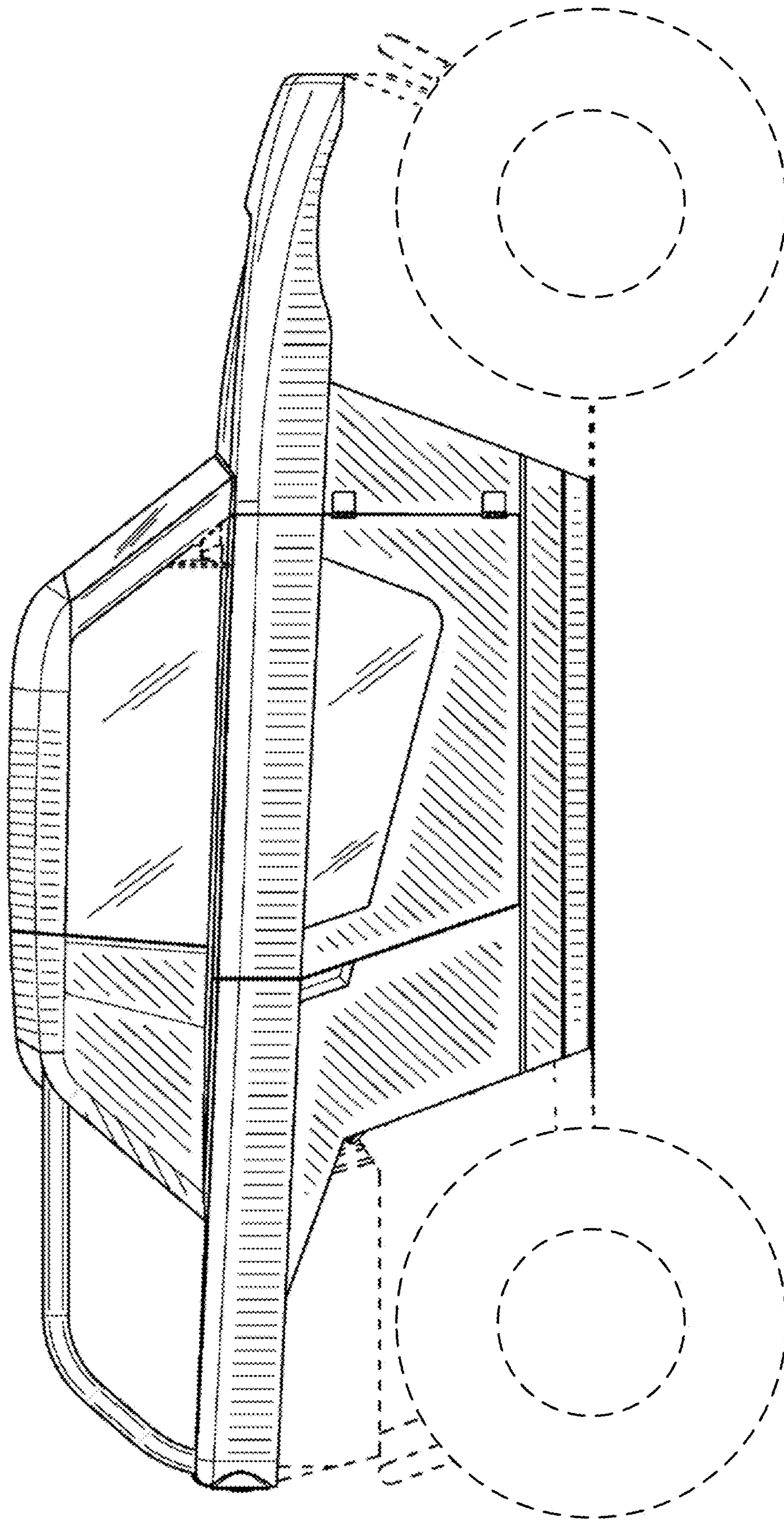


FIG. 5

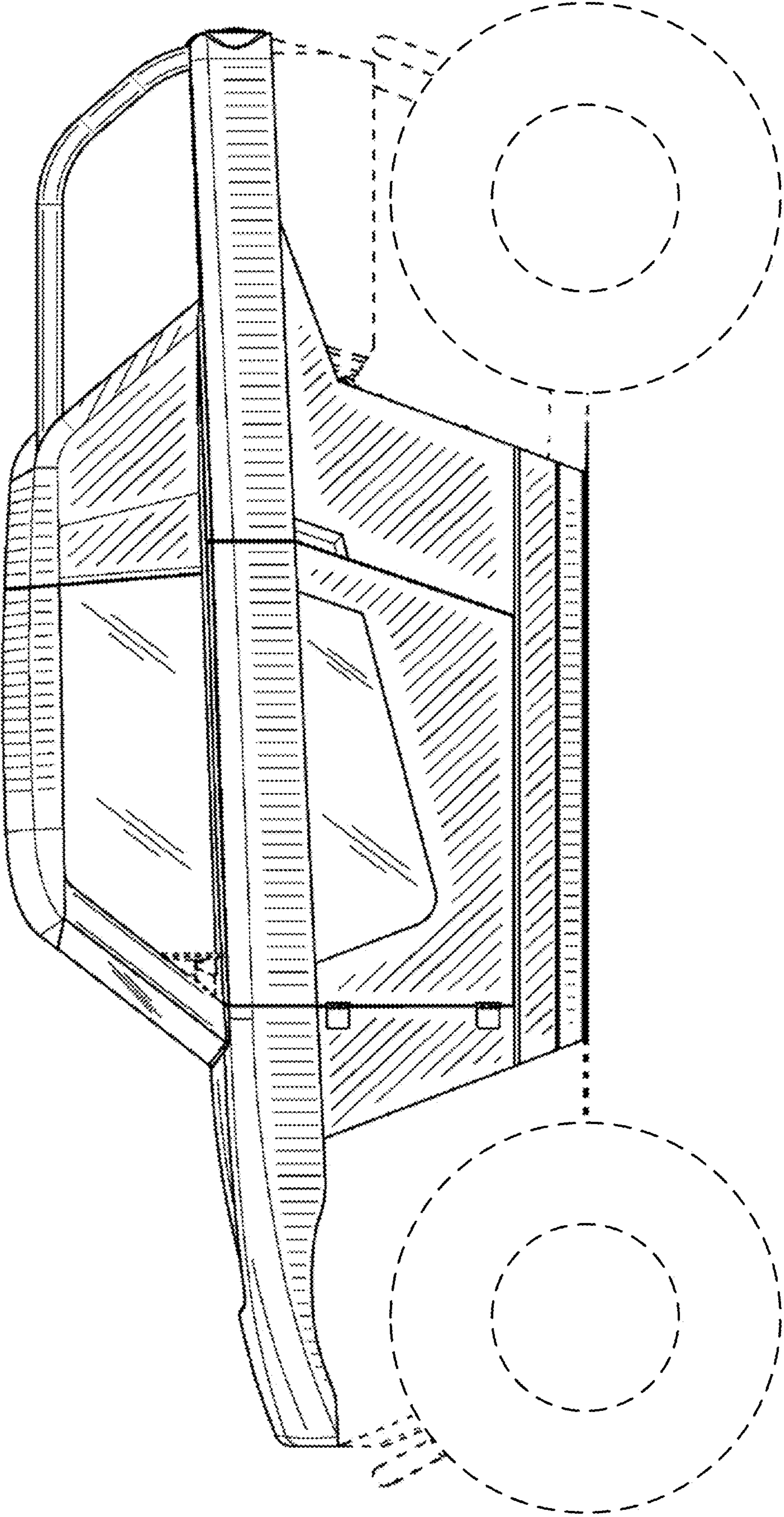


FIG. 6