



US00D938306S

(12) **United States Design Patent** (10) **Patent No.:** **US D938,306 S**  
**Palovaara et al.** (45) **Date of Patent:** **\*\* Dec. 14, 2021**

(54) **ROAD VEHICLE TRAILER**  
(71) Applicant: **Volvo Truck Corporation**, Gothenburg (SE)  
(72) Inventors: **Patrik Palovaara**, Jonsered (SE); **Ismail Ovacik**, Gothenburg (SE)  
(73) Assignee: **VOLVO TRUCK CORPORATION**, Gothenburg (SE)  
(\*\*) Term: **15 Years**  
(21) Appl. No.: **29/734,357**  
(22) Filed: **May 12, 2020**  
(30) **Foreign Application Priority Data**

D566,624 S \* 4/2008 Dempsey ..... D12/105  
D762,145 S \* 7/2016 Van Bosstraeten ..... D12/102  
D908,533 S \* 1/2021 Ovacik ..... D12/86  
D908,534 S \* 1/2021 Ovacik ..... D12/86  
D915,946 S \* 4/2021 Amade ..... D12/102  
D926,086 S \* 7/2021 Palovaara ..... D12/102

**OTHER PUBLICATIONS**

Figures from co-pending U.S. Appl. No. 29/681,613, filed Feb. 27, 2019, 6 pages.

Figures from co-pending U.S. Appl. No. 29/681,616, filed Feb. 27, 2019, 6 pages.

\* cited by examiner

*Primary Examiner* — Mark A Goodwin

(74) *Attorney, Agent, or Firm* — Tucker Ellis LLP

Nov. 12, 2019 (EM) ..... 007223193-0001  
(51) **LOC (13) Cl.** ..... **12-08**  
(52) **U.S. Cl.**  
USPC ..... **D12/86**  
(58) **Field of Classification Search**  
USPC .... D12/1, 14, 82, 86, 93–100, 101–106, 19,  
D12/129, 111–112; D21/533, 552–560  
CPC ..... B62D 33/06; B62D 33/0617; B62D  
33/0621; B62D 33/0625; B62D 39/00;  
B62D 49/005; B62D 49/007  
See application file for complete search history.

(57) **CLAIM**

The ornamental design for a road vehicle trailer, as shown and described.

**DESCRIPTION**

FIG. 1 is a perspective view of a road vehicle trailer, showing our new design;  
FIG. 2 is a front view thereof;  
FIG. 3 is a rear view thereof;  
FIG. 4 is a left side view thereof;  
FIG. 5 is a right side view thereof; and,  
FIG. 6 is a top view thereof.

**1 Claim, 4 Drawing Sheets**

(56) **References Cited**  
U.S. PATENT DOCUMENTS  
6,293,220 B1 \* 9/2001 Halsall ..... B60P 3/105  
114/353  
D464,916 S \* 10/2002 Golenz ..... D12/102

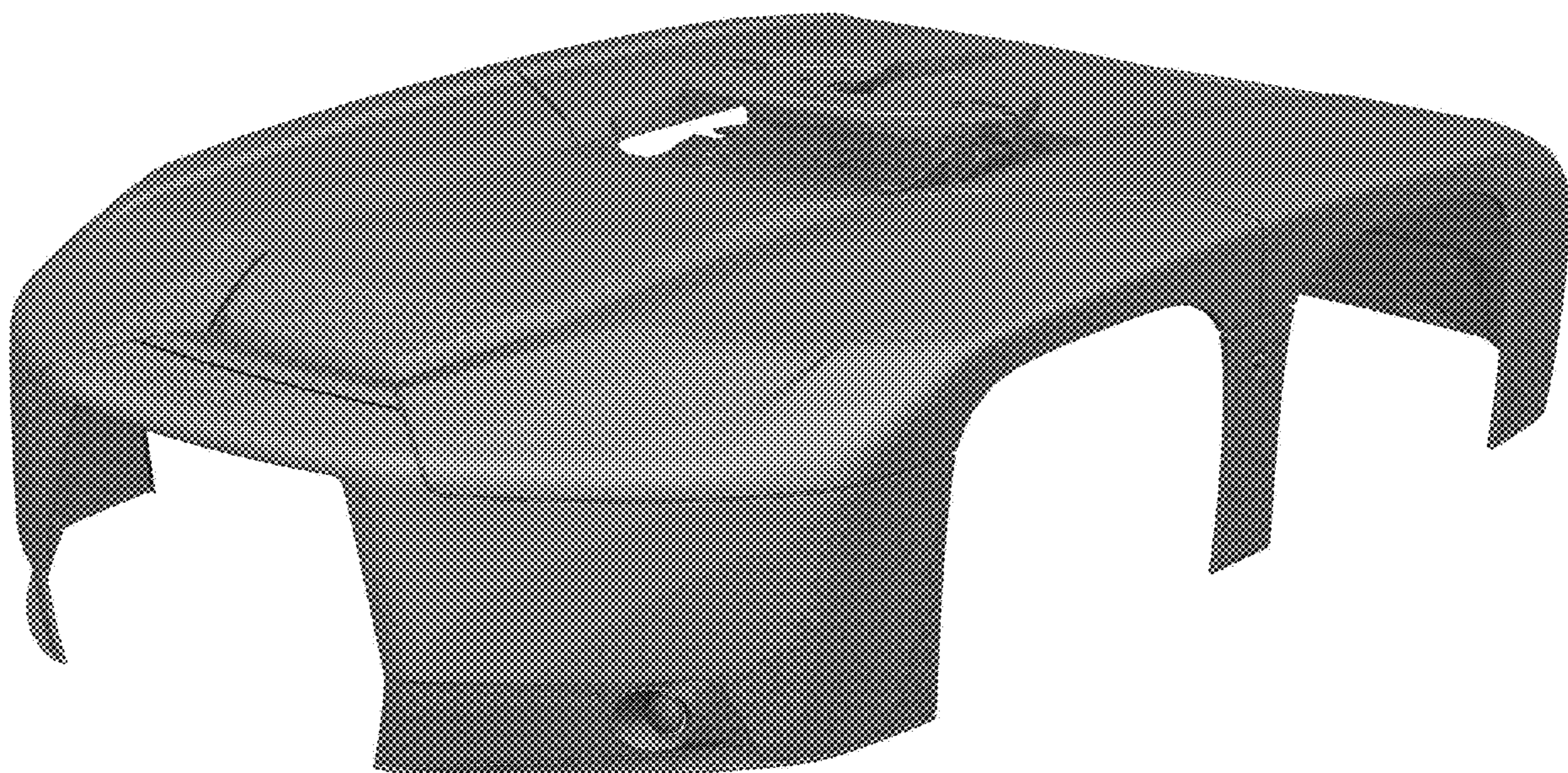




FIG. 1

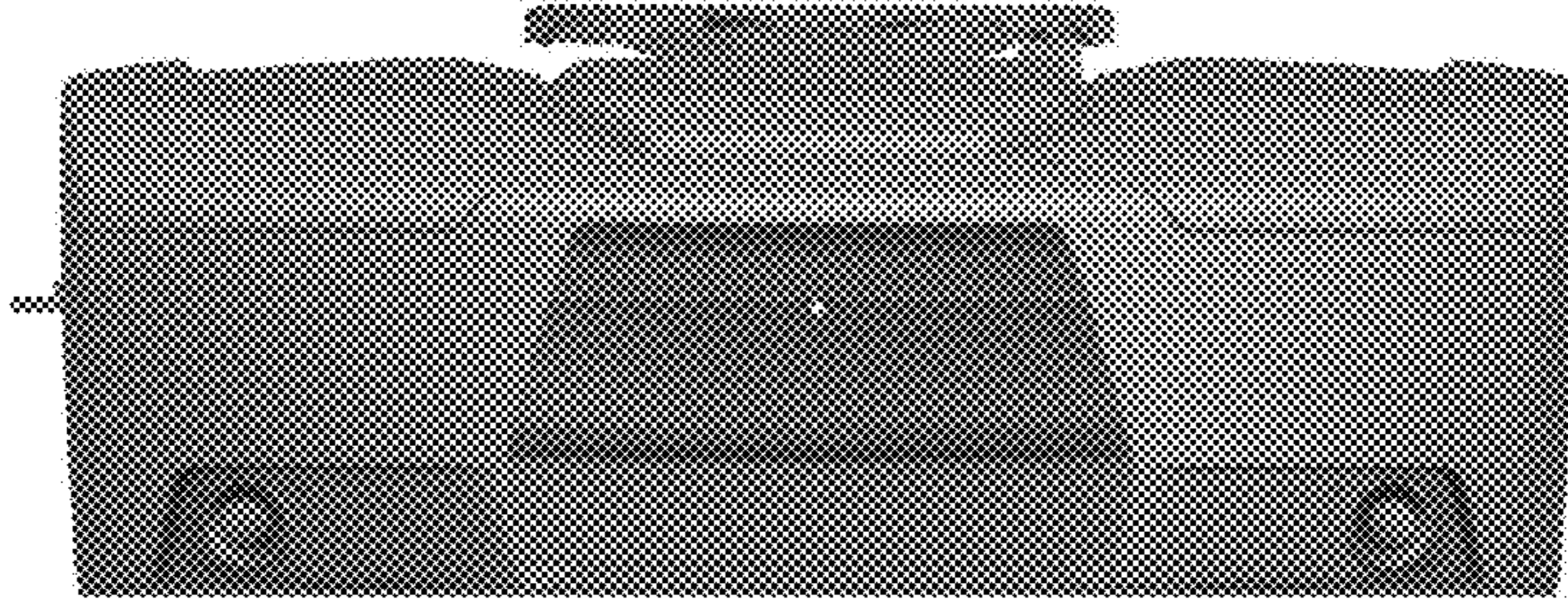


FIG. 2

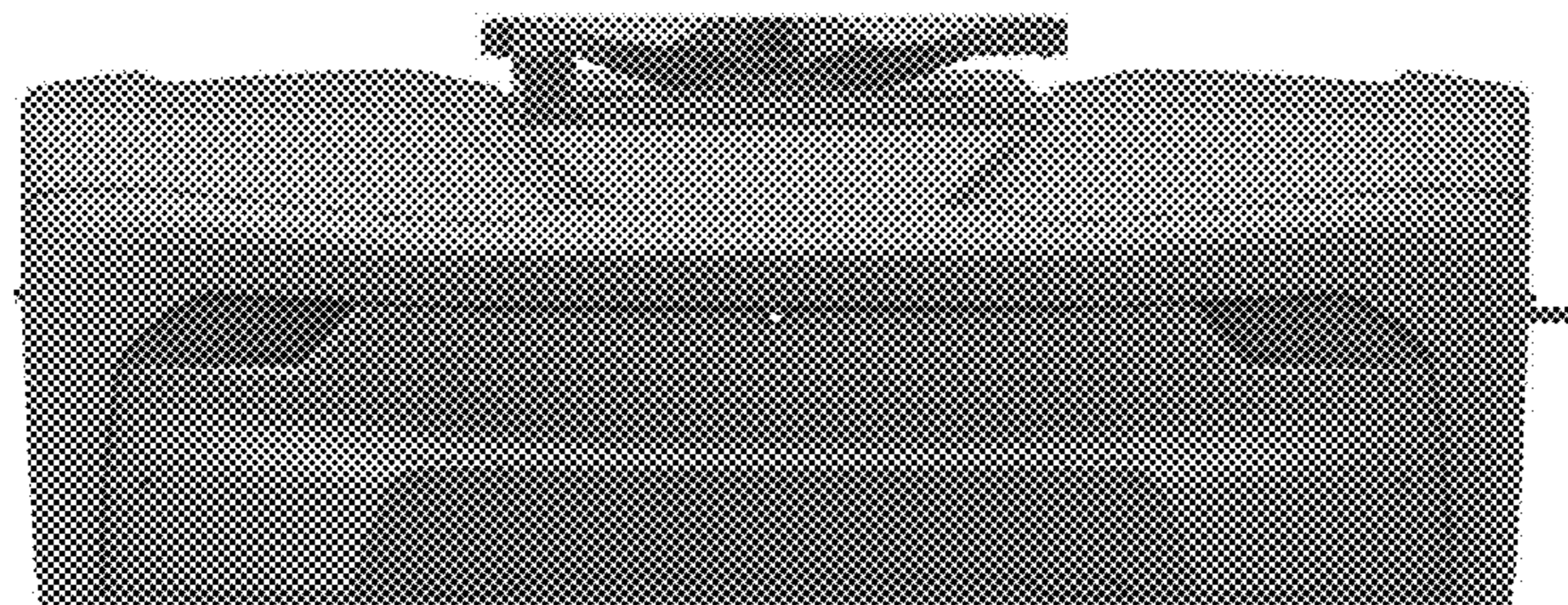


FIG. 3

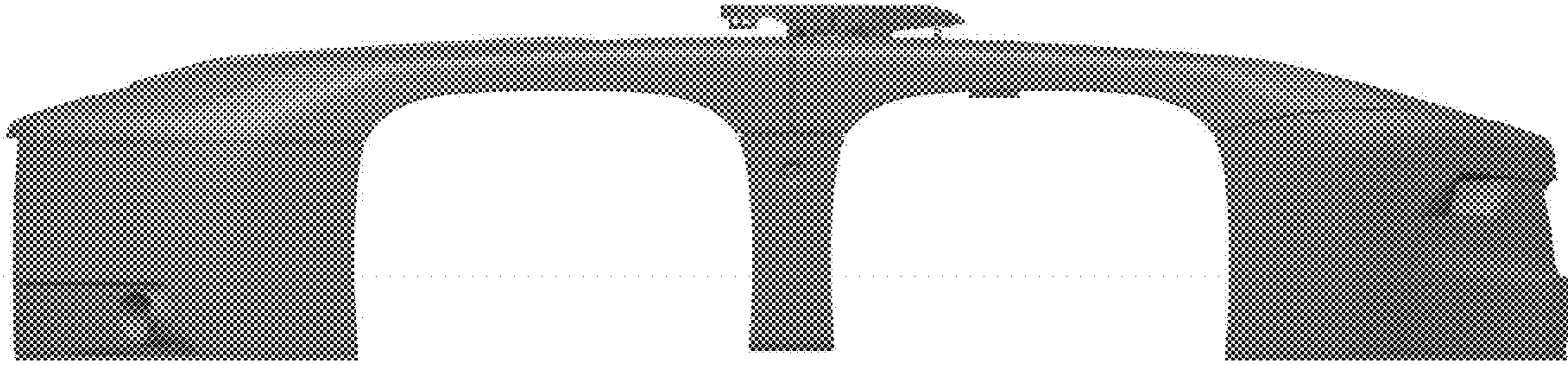


FIG. 4

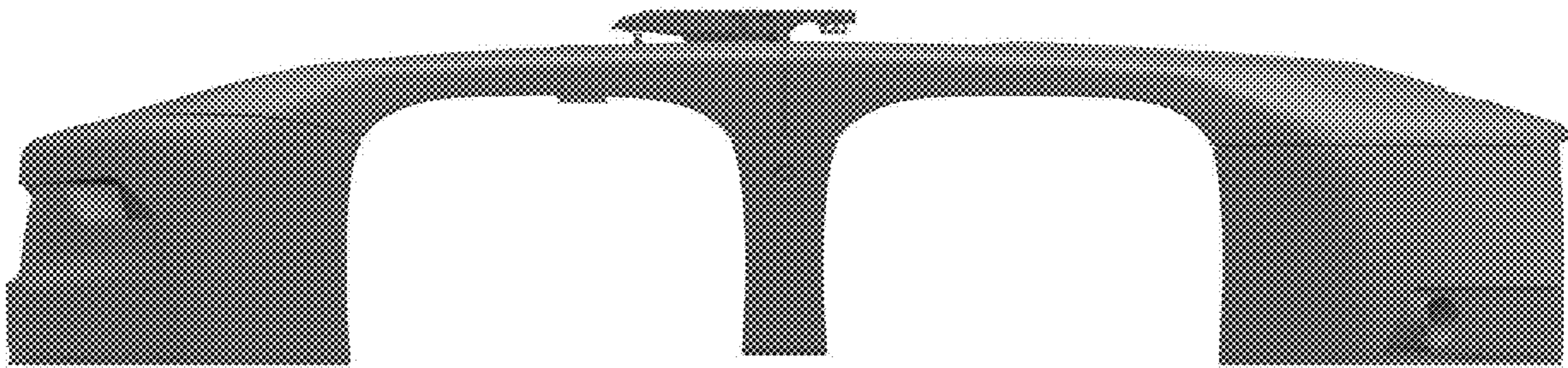


FIG. 5

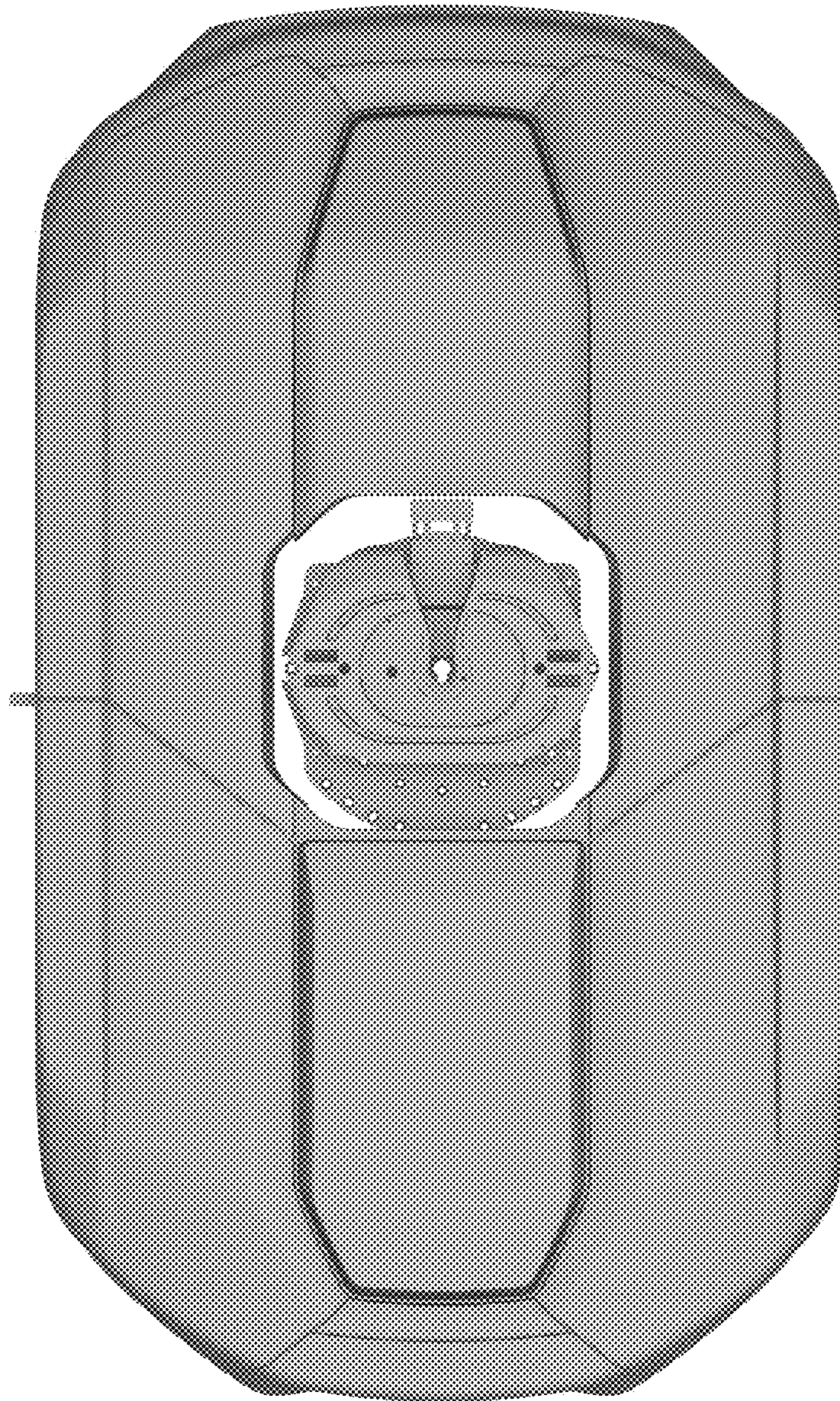


FIG. 6