



US00D938305S

(12) **United States Design Patent** (10) **Patent No.:** **US D938,305 S**
Conny (45) **Date of Patent:** **** Dec. 14, 2021**

(54) **DUMP BODY WITH ACCESS DOOR**

FOREIGN PATENT DOCUMENTS

(71) Applicant: **Mac Trailer Manufacturing, Inc.**, Alliance, OH (US)

CA 2922023 A1 * 8/2017 B60P 1/04

(72) Inventor: **Michael A. Conny**, Beloit, OH (US)

OTHER PUBLICATIONS

(73) Assignee: **MAC TRAILER MANUFACTURING, INC.**, Alliance, OH (US)

Heritage Dump Body, Published date unavailable [online], [retrieved on Mar. 29, 2021]. Retrieved from the Internet: <https://www.heritagetruck.com/products/aluminum-dump-truck-bodies/> (Year: 2021).*

(**) Term: **15 Years**

Primary Examiner — Cary M Robinson

(21) Appl. No.: **29/645,119**

Assistant Examiner — Adam C Mager

(22) Filed: **Apr. 24, 2018**

(74) *Attorney, Agent, or Firm* — Sand, Sebolt & Wernow Co., LPA

(51) **LOC (13) Cl.** **12-08**

(52) **U.S. Cl.**
USPC **D12/15**

(58) **Field of Classification Search**
USPC ... D12/1, 14, 15, 90, 91, 92, 93, 97, 98, 99, D12/100, 101, 190, 195, 196; D21/431, D21/537, 554, 561; D15/10, 11, 13, 19, D15/21, 28, 33
CPC B60J 5/00; B60J 5/02; B60J 5/04; B60J 5/0491; B60J 5/0497; B60J 5/10; B60P 1/04; B60P 1/16; B60P 1/28; B60P 1/283; B60P 1/286; B62D 33/00; B62D 33/02; B62D 25/02; B62D 25/04
See application file for complete search history.

(57) **CLAIM**

The ornamental design for a dump body with access door, as shown and described.

DESCRIPTION

FIG. 1 is a right side elevation view of a dump body with access door in accordance with my design;
FIG. 2 is an enlarged right side elevation view of the region shown in FIG. 1;
FIG. 3 is a left side elevation view of the dump body with access door;
FIG. 4 is a top plan view thereof;
FIG. 5 is a front cross section view of the dump body with access door, taken along line 5-5 of FIG. 1;
FIG. 6 is a cross section view of a front wall of the dump body with access door taken along line 6-6 of FIG. 5; and,
FIG. 7 is a top rear left partial perspective view of the dump body with access door, showing the access door in a partially opened position.
The broken lines illustrate portions of the environmental structure which form no part of the claimed design.
The dot-dot-dash lines illustrate regions of the enlarged and section views and form no part of the claim.

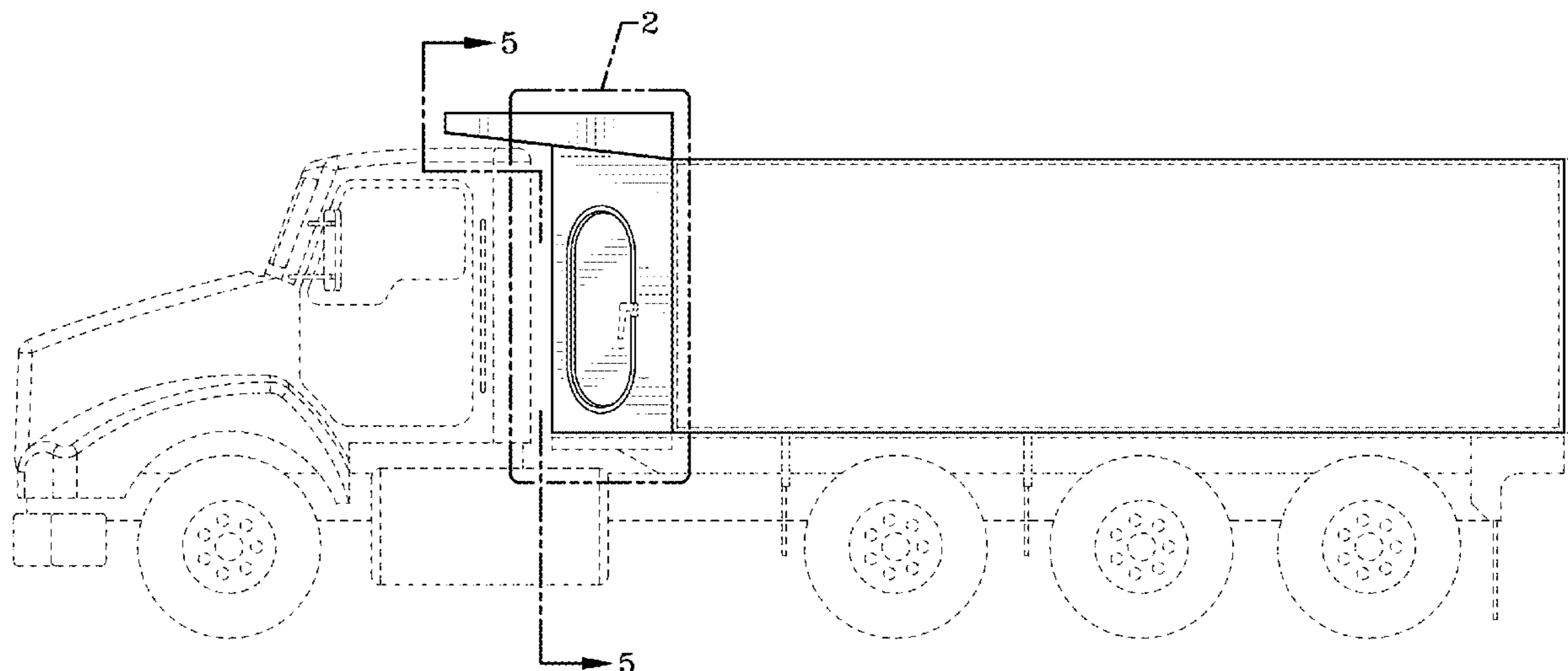
(56) **References Cited**

U.S. PATENT DOCUMENTS

2,034,306 A * 3/1936 Lowdermilk B60P 1/14
298/19 B
2,691,244 A * 10/1954 Steinke A63H 17/06
446/428
2,832,483 A 4/1958 Jones
D189,025 S * 10/1960 Acker D12/15
2,995,399 A 8/1961 Riseborough
3,100,918 A 8/1963 Coverley
3,163,463 A * 12/1964 Femrite B62D 33/023
296/183.1

1 Claim, 6 Drawing Sheets

(Continued)



(56)

References Cited

U.S. PATENT DOCUMENTS

3,472,548	A *	10/1969	Comisac	B60H 1/00014 296/183.2
3,571,977	A *	3/1971	Abeel	E05B 51/023 49/379
3,747,275	A	7/1973	May et al.	
4,273,381	A *	6/1981	Bibeau	B62D 33/02 296/183.2
4,699,428	A *	10/1987	Vick	B60P 1/26 296/183.2
5,078,567	A	1/1992	Lombardo	
5,662,374	A *	9/1997	Wheeler	B60P 1/286 296/183.2
5,681,095	A *	10/1997	Martin	B60P 1/286 220/691
D450,627	S *	11/2001	Musso, Jr.	D12/15
9,102,466	B2	8/2015	Neufeldt	
D902,082	S *	11/2020	Sweeney	D12/101
D930,502	S *	9/2021	Conny	D12/15
11,135,959	B2 *	10/2021	Sweeney	B60P 1/283
2017/0246974	A1 *	8/2017	Lemaire	B60P 1/26
2019/0149814	A1	5/2019	Friend et al.	
2019/0217764	A1 *	7/2019	Conny	B60P 1/16
2019/0389272	A1 *	12/2019	Kesani	B60P 1/28
2020/0391643	A1 *	12/2020	Sweeney	B60P 1/16

* cited by examiner

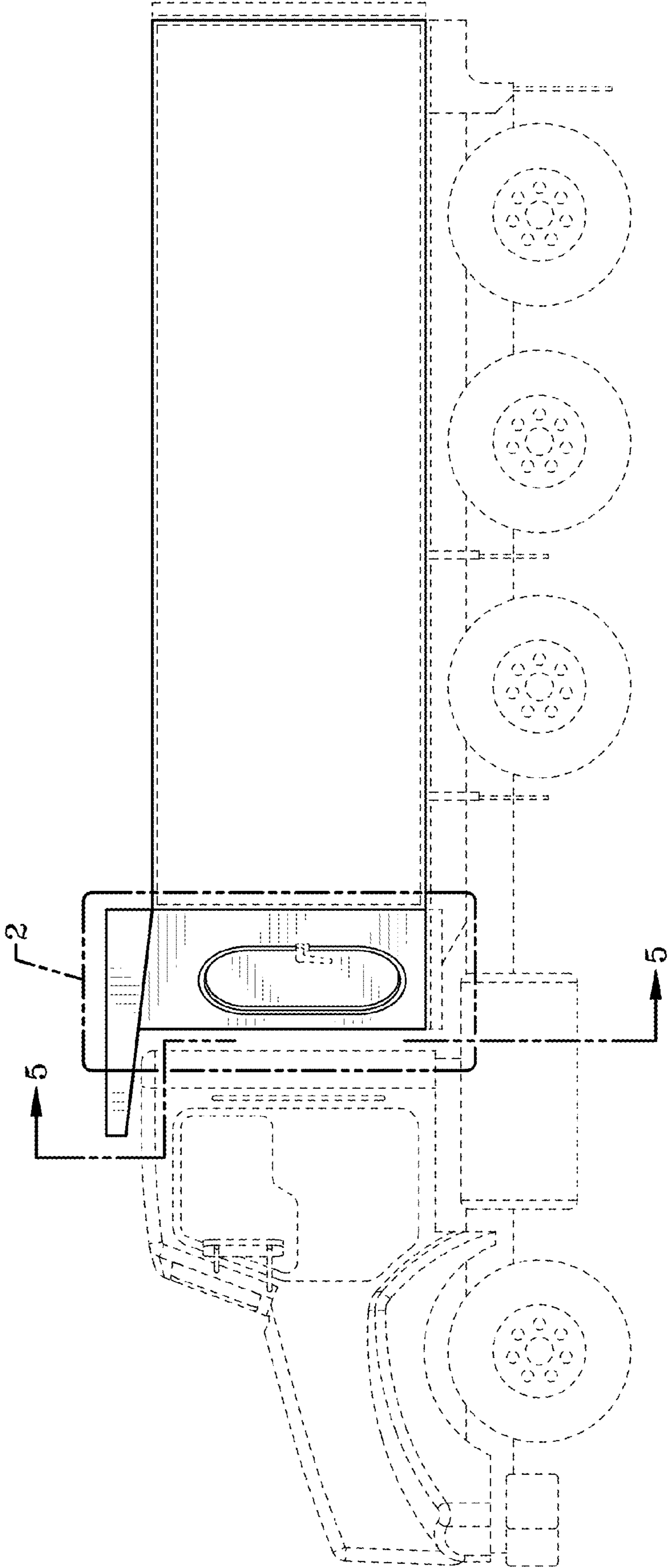
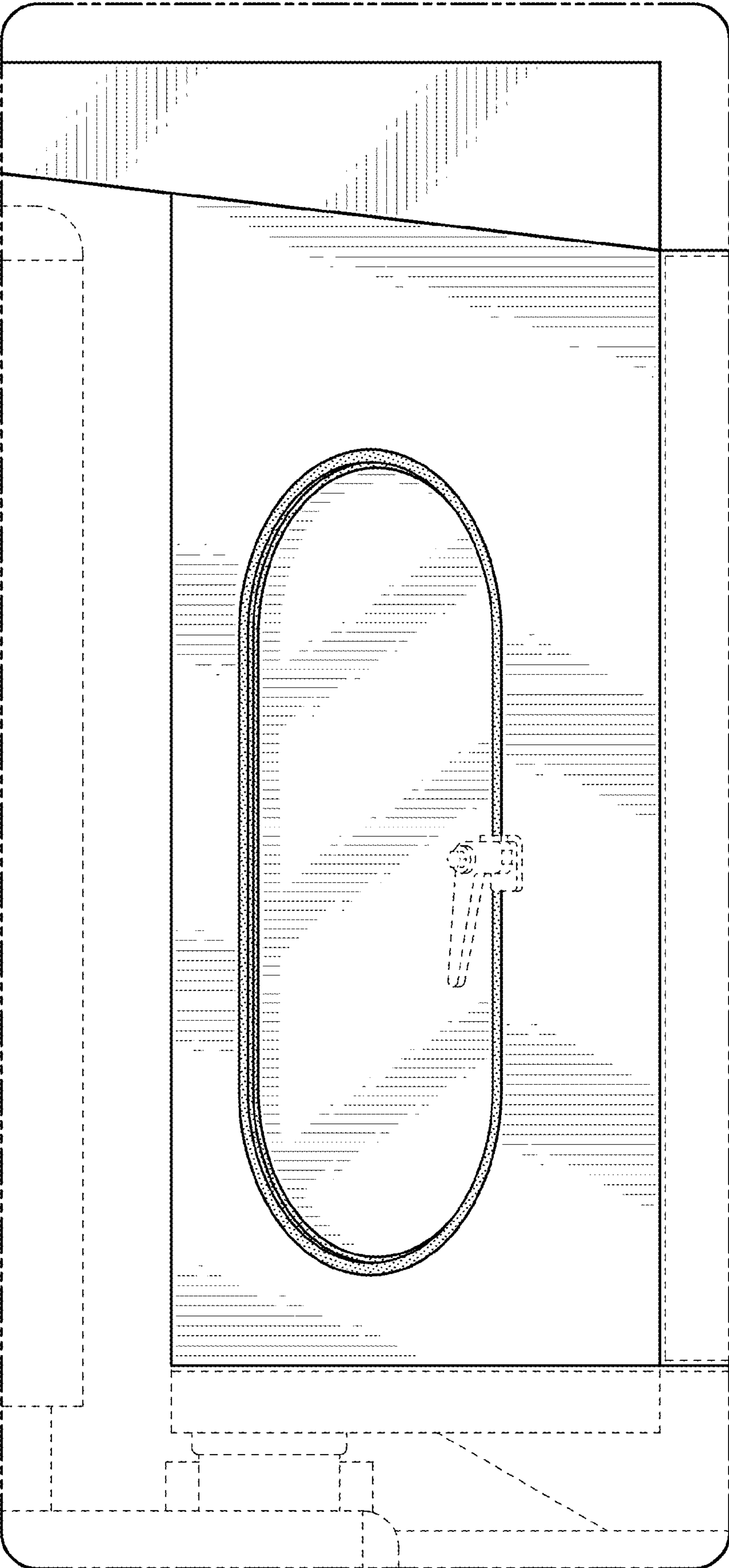


FIG. 1

FIG. 2



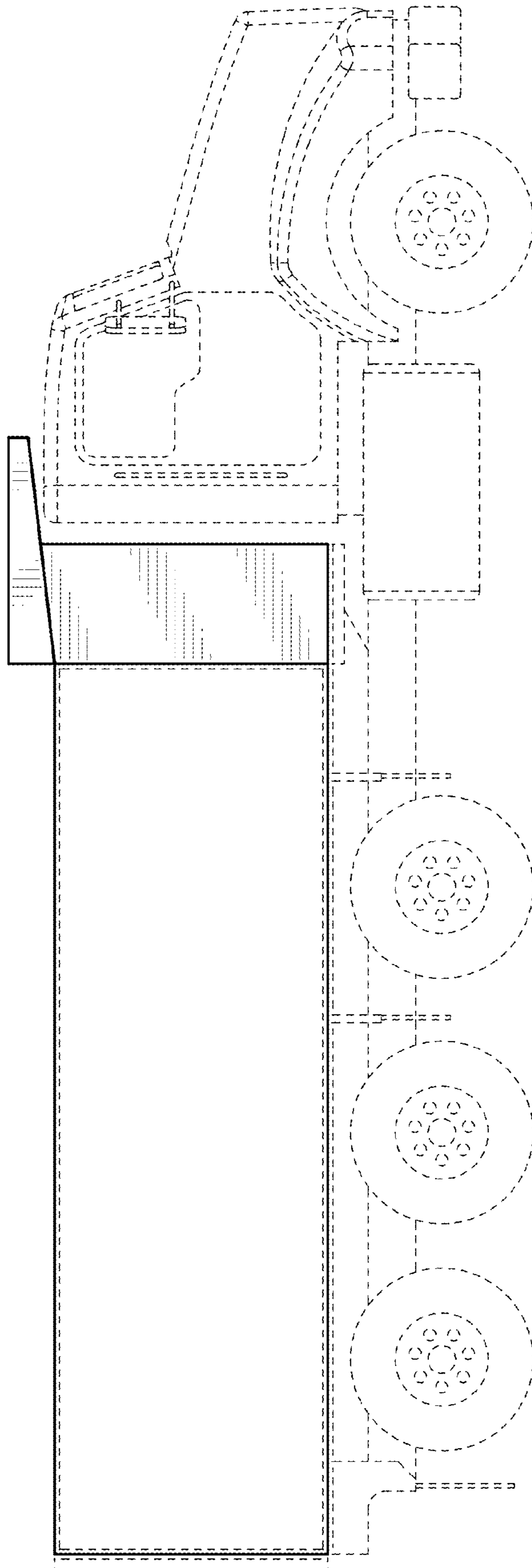
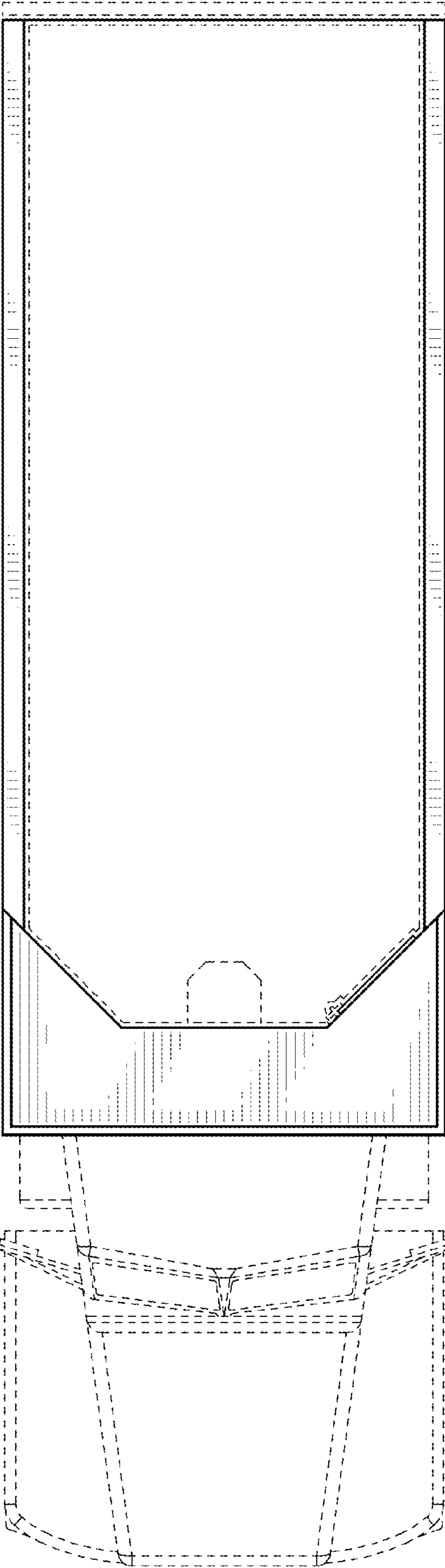


FIG. 3

FIG. 4



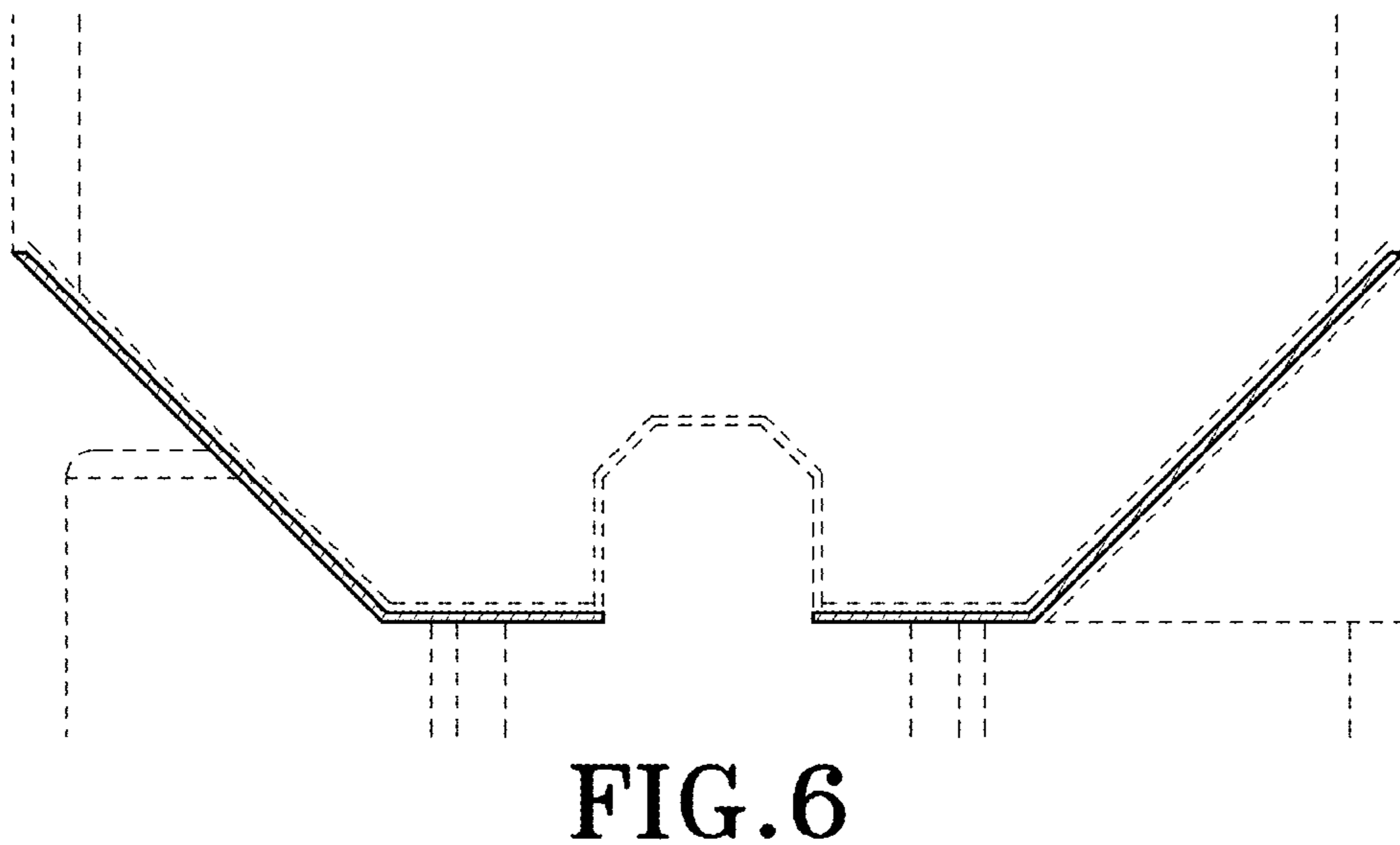
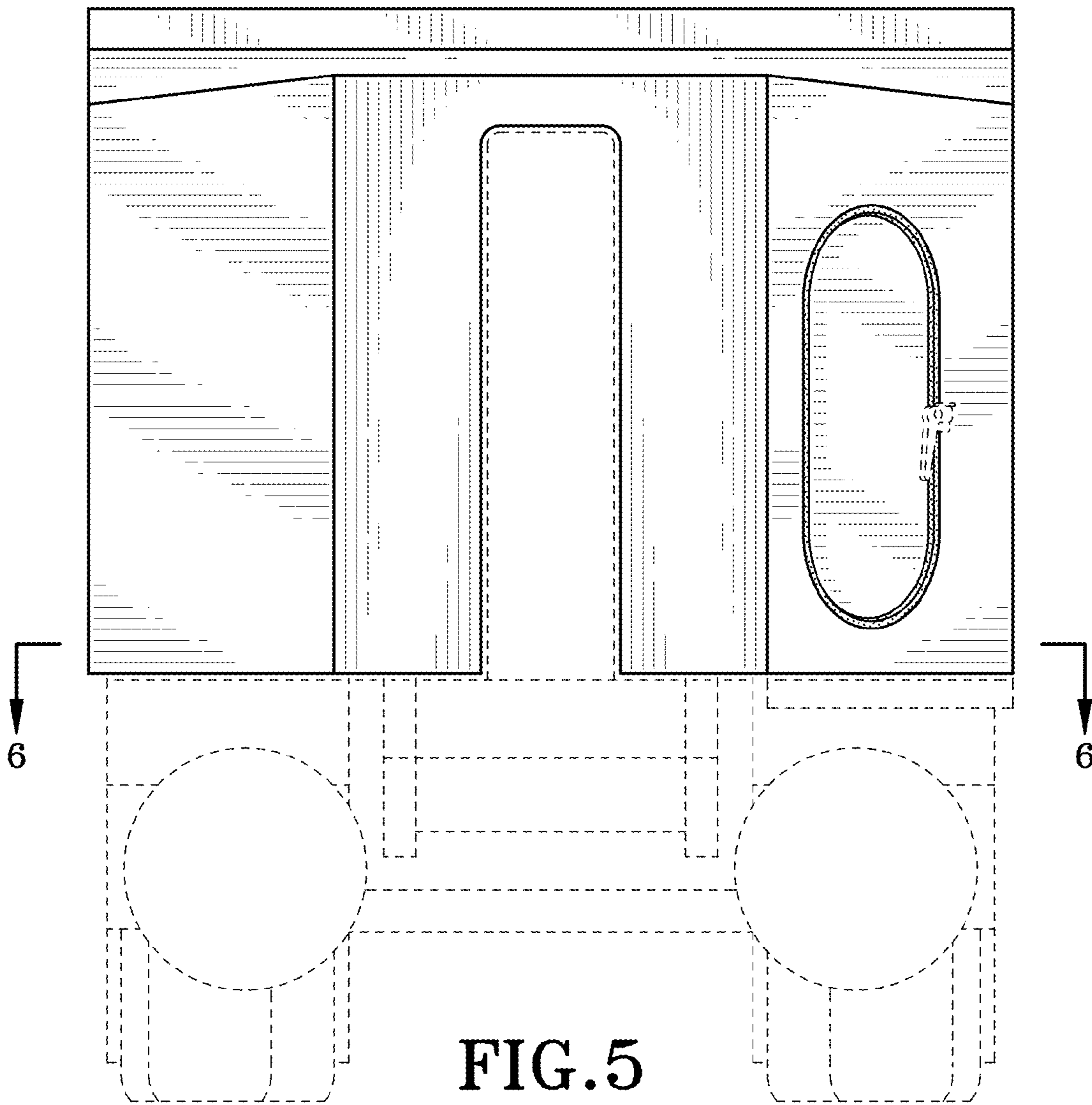


FIG. 7

