



US00D938302S

(12) **United States Design Patent** (10) **Patent No.:** **US D938,302 S**
Keeble et al. (45) **Date of Patent:** **** Dec. 14, 2021**

(54) **PLANTER** 8,312,674 B2 * 11/2012 Adams A01G 9/02
47/79
(71) Applicant: **THE HC COMPANIES, INC.,** D710,245 S * 8/2014 Mast D11/155
Twinsburg, OH (US) D711,210 S * 8/2014 Gentry D8/349
9,003,700 B2 * 4/2015 Kumar A01G 9/02
47/39
(72) Inventors: **Drew Keeble**, Twinsburg, OH (US); D819,490 S * 6/2018 Ryan D11/153
Mark Wilkinson, Twinsburg, OH (US) D820,149 S * 6/2018 Tao D11/152
D821,258 S * 6/2018 Tao D11/152
(73) Assignee: **THE HC COMPANIES, INC.,** D823,158 S * 7/2018 Ryan D11/155
Twinsburg, OH (US) D840,264 S * 2/2019 Ryan D11/155
10,292,344 B2 * 5/2019 Flores Garcia A01G 9/028
D864,020 S * 10/2019 Batito D11/149
(**) Term: **15 Years** (Continued)

(21) Appl. No.: **29/724,405**

FOREIGN PATENT DOCUMENTS

(22) Filed: **Feb. 20, 2020**
(51) **LOC (13) Cl.** **11-02**
(52) **U.S. Cl.**
USPC **D11/155**
(58) **Field of Classification Search**
USPC D11/143–156, 164; D6/403–405,
D6/556–558
CPC . A01G 9/02; A01G 9/021; A01G 9/04; A01G
27/003; A01G 31/02; A01G 31/06
See application file for complete search history.

CN 102986471 A 3/2013
DE 2920155 A1 11/1980
(Continued)

Primary Examiner — Elizabeth A. Albert
(74) *Attorney, Agent, or Firm* — Tucker Ellis LLP

(57) **CLAIM**

The ornamental design for a planter, as shown and described.

(56) **References Cited**

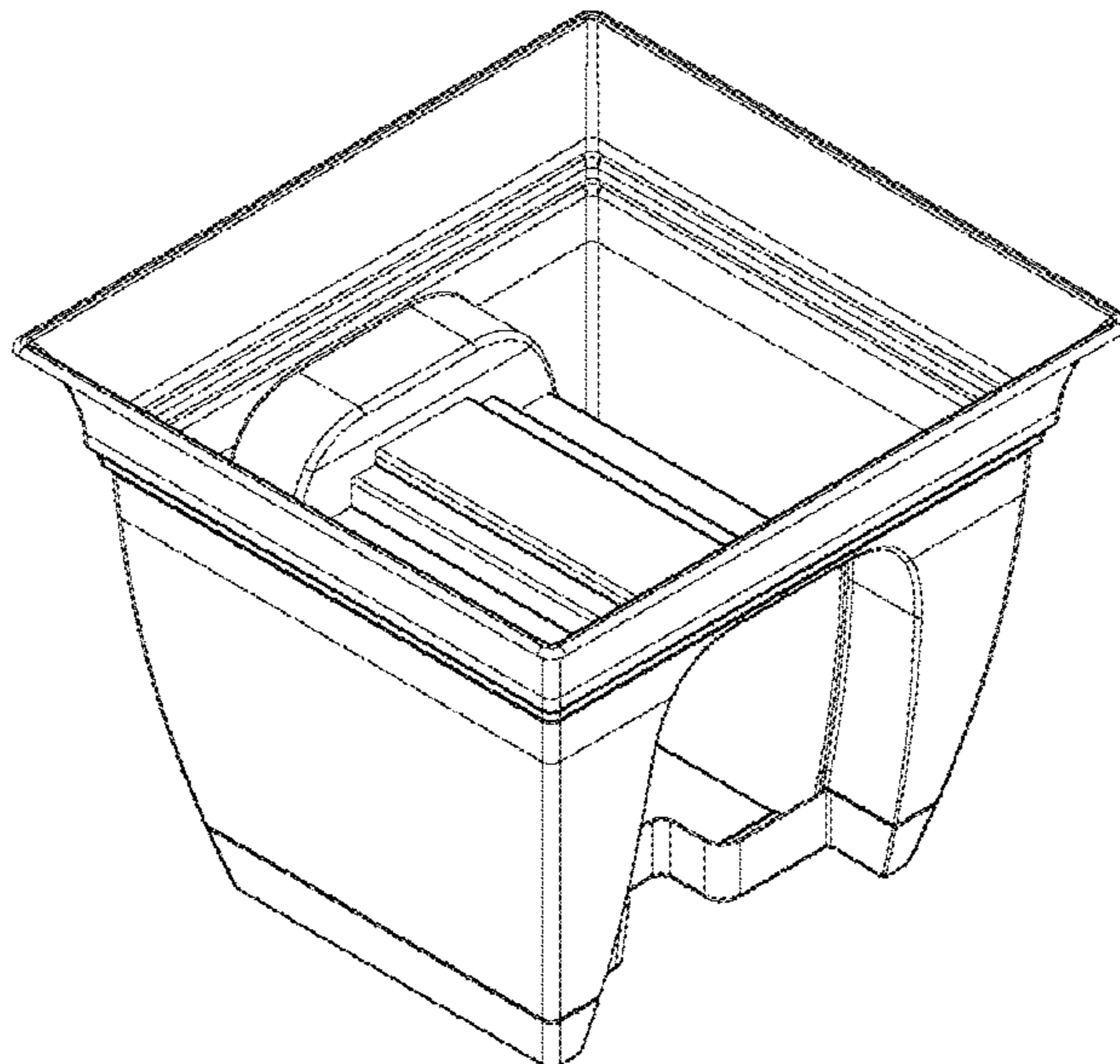
DESCRIPTION

U.S. PATENT DOCUMENTS

1,690,910 A 11/1928 Shapiro
3,993,192 A 11/1976 Bunn
4,559,738 A 12/1985 Helfman
D296,088 S * 6/1988 Pouliot D11/143
D296,089 S * 6/1988 Pouliot D11/143
5,240,214 A 8/1993 Birnbaum
D340,204 S * 10/1993 Grosfillex D11/155
D367,243 S * 2/1996 McAllister D11/152
D385,213 S * 10/1997 McAllister D11/156
D394,827 S * 6/1998 Ruthenberg D11/155
D532,715 S * 11/2006 Schmidt D11/155
D571,688 S * 6/2008 White D11/155
D578,929 S * 10/2008 White D11/155
D578,930 S * 10/2008 White D11/155

FIG. 1 is a front-top-left side perspective view of a planter showing our new design;
FIG. 2 is a front view of the planter, a rear view being a mirror image of the front view;
FIG. 3 is a left side view of the planter, a right side view being a mirror image of the left side view;
FIG. 4 is a top view thereof;
FIG. 5 is a bottom view thereof;
FIG. 6 is a front-left side-bottom perspective view thereof;
and,
FIG. 7 is a rear-right side-top perspective view thereof.

1 Claim, 7 Drawing Sheets



(56)

References Cited

U.S. PATENT DOCUMENTS

D911,215 S * 2/2021 Wang D11/155
2015/0000189 A1 1/2015 Greis-Avnon
2021/0251154 A1* 8/2021 Keeble A01G 9/28

FOREIGN PATENT DOCUMENTS

EM 001653478-0001 S 2/2010
EM 001653478-0002 S 2/2010
EP 1198984 A2 2/2002
GB 200523462 A 7/2007

* cited by examiner

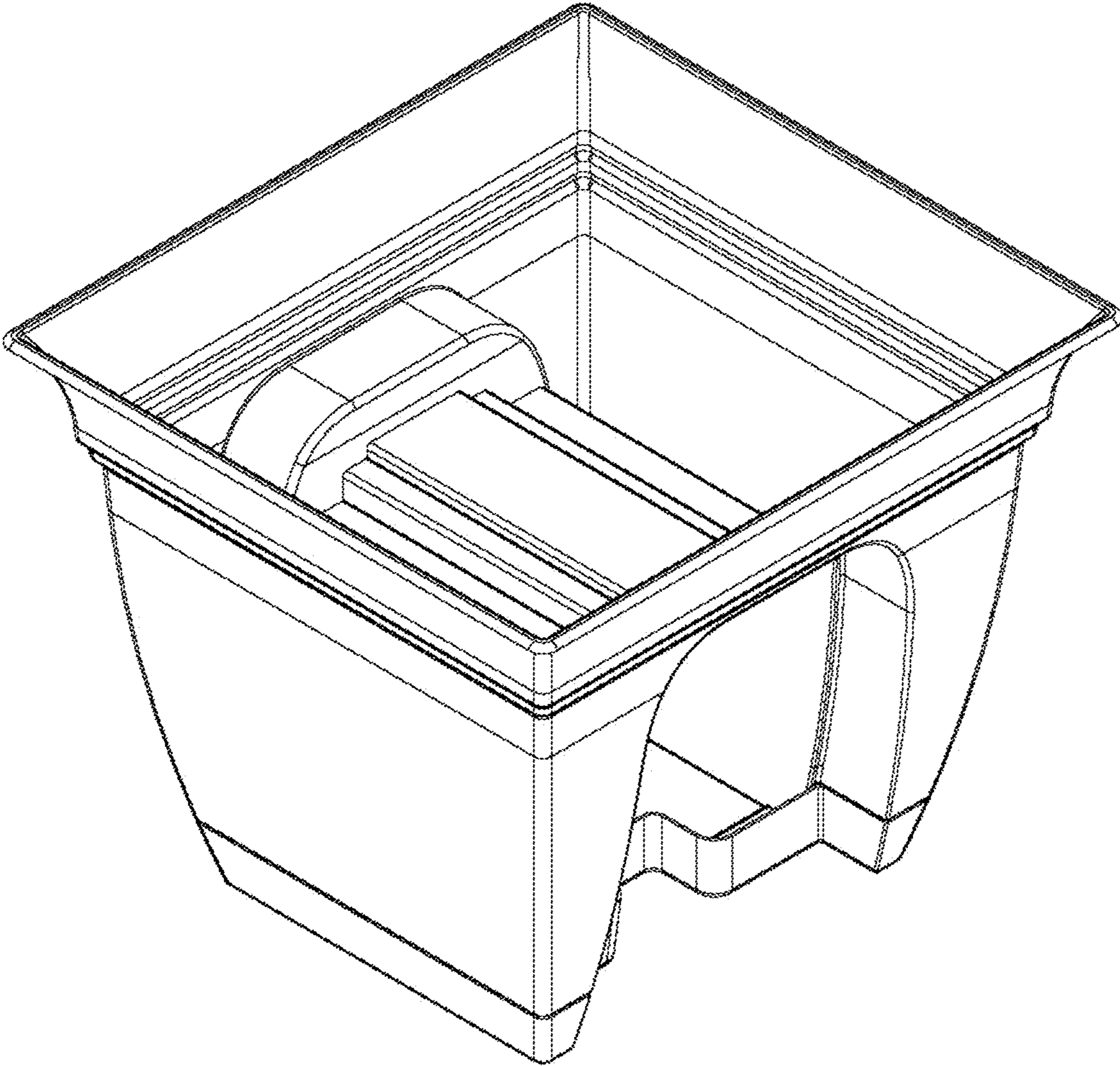


FIG. 1

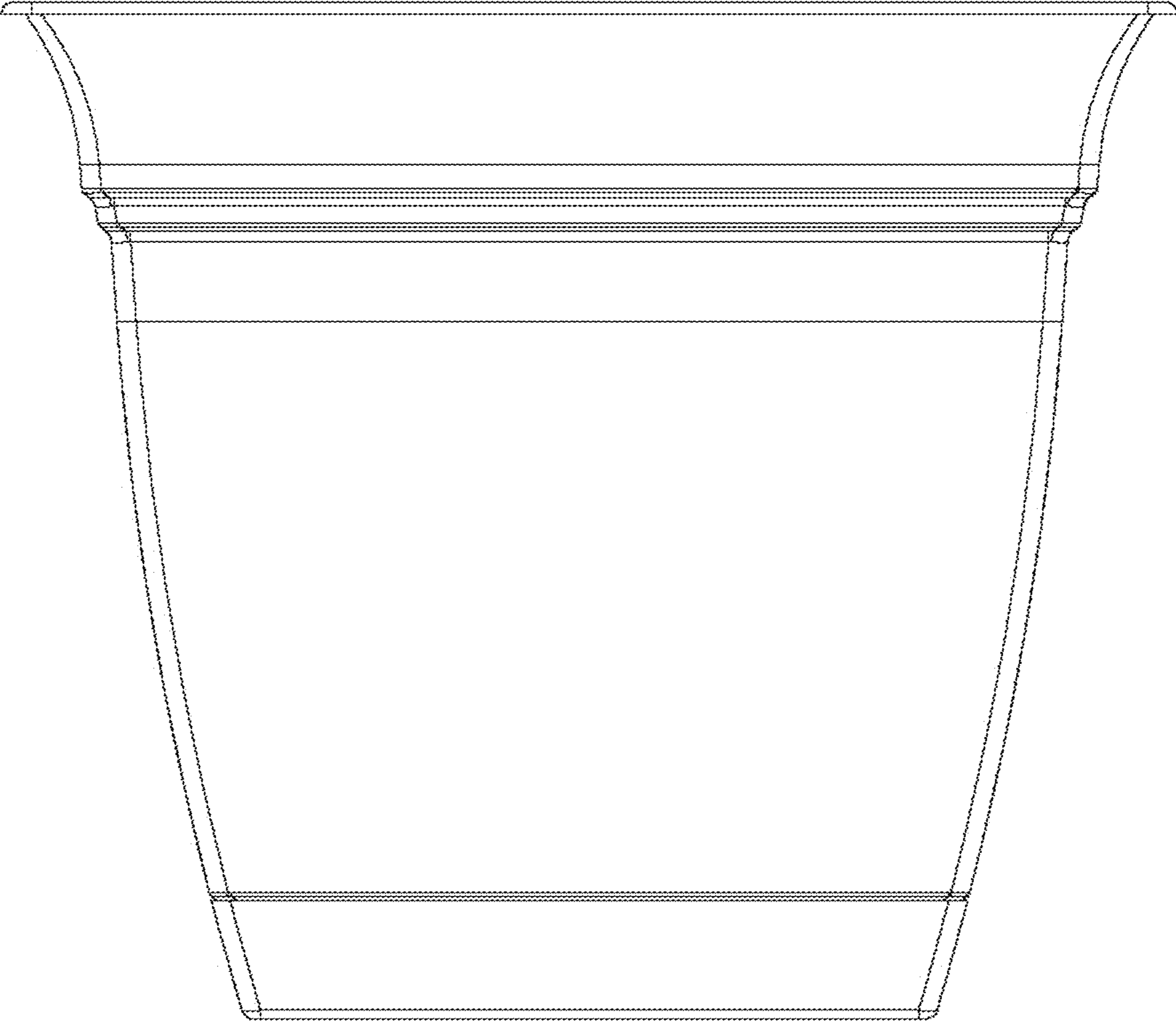


FIG. 2

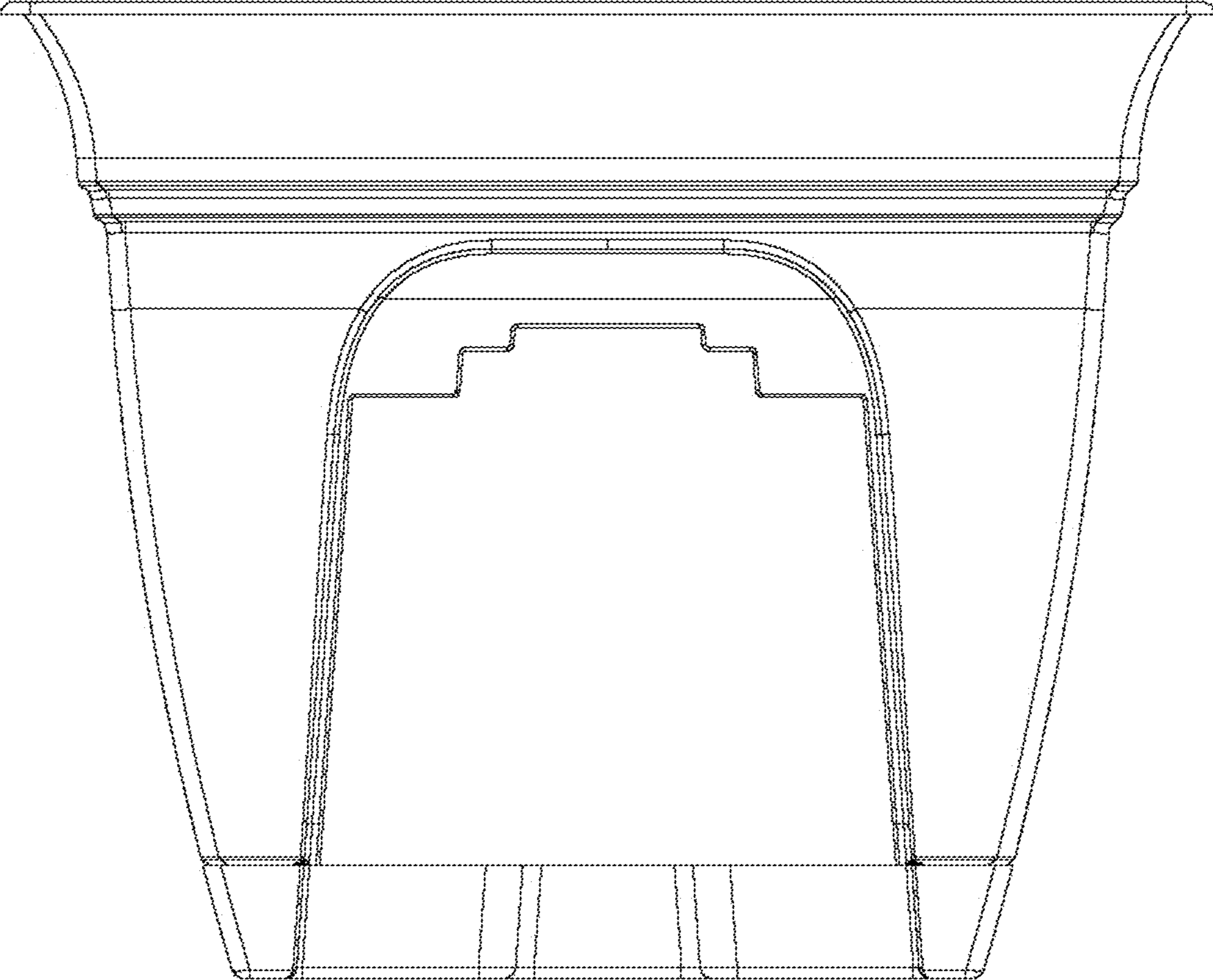


FIG. 3

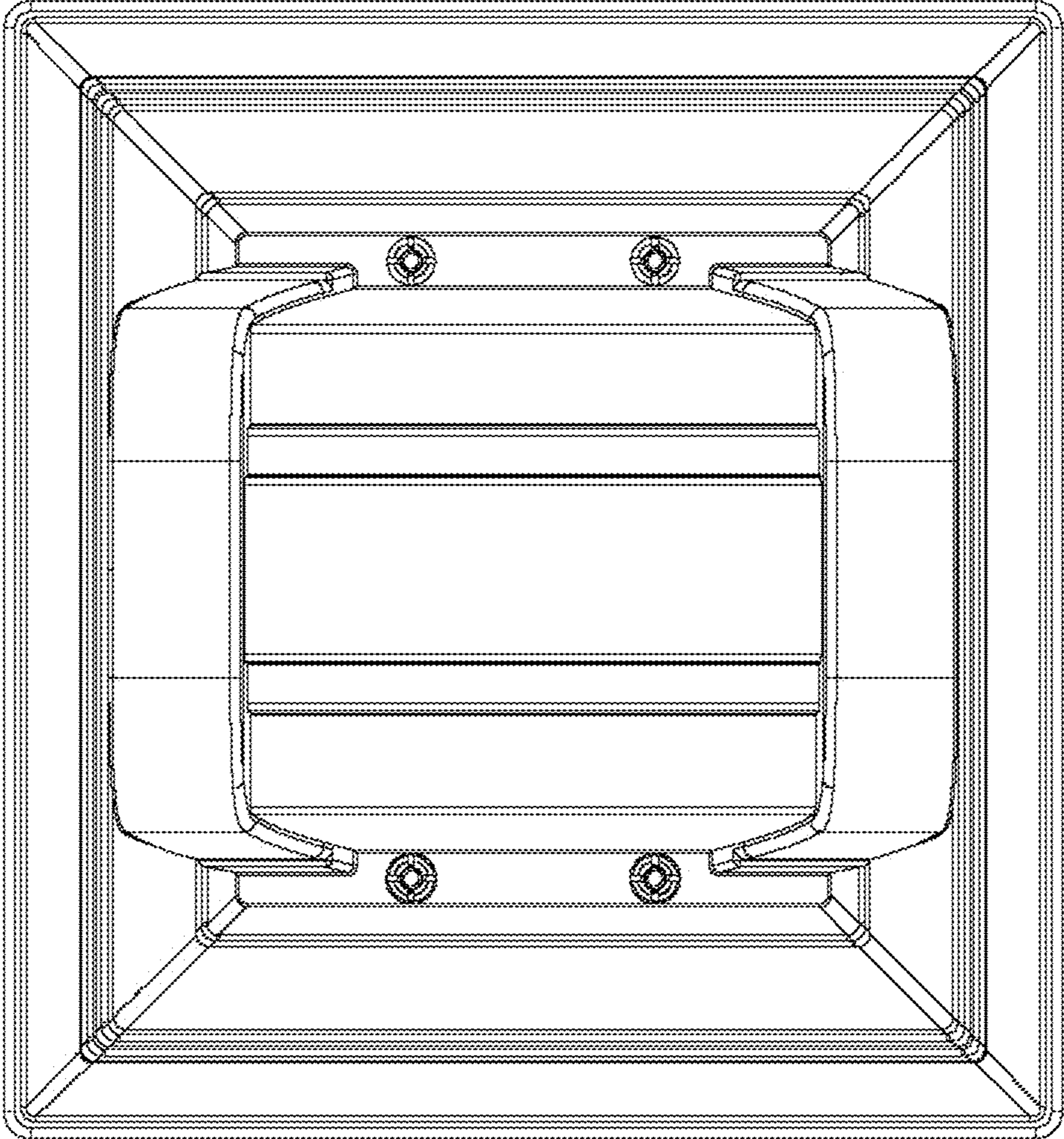


FIG. 4

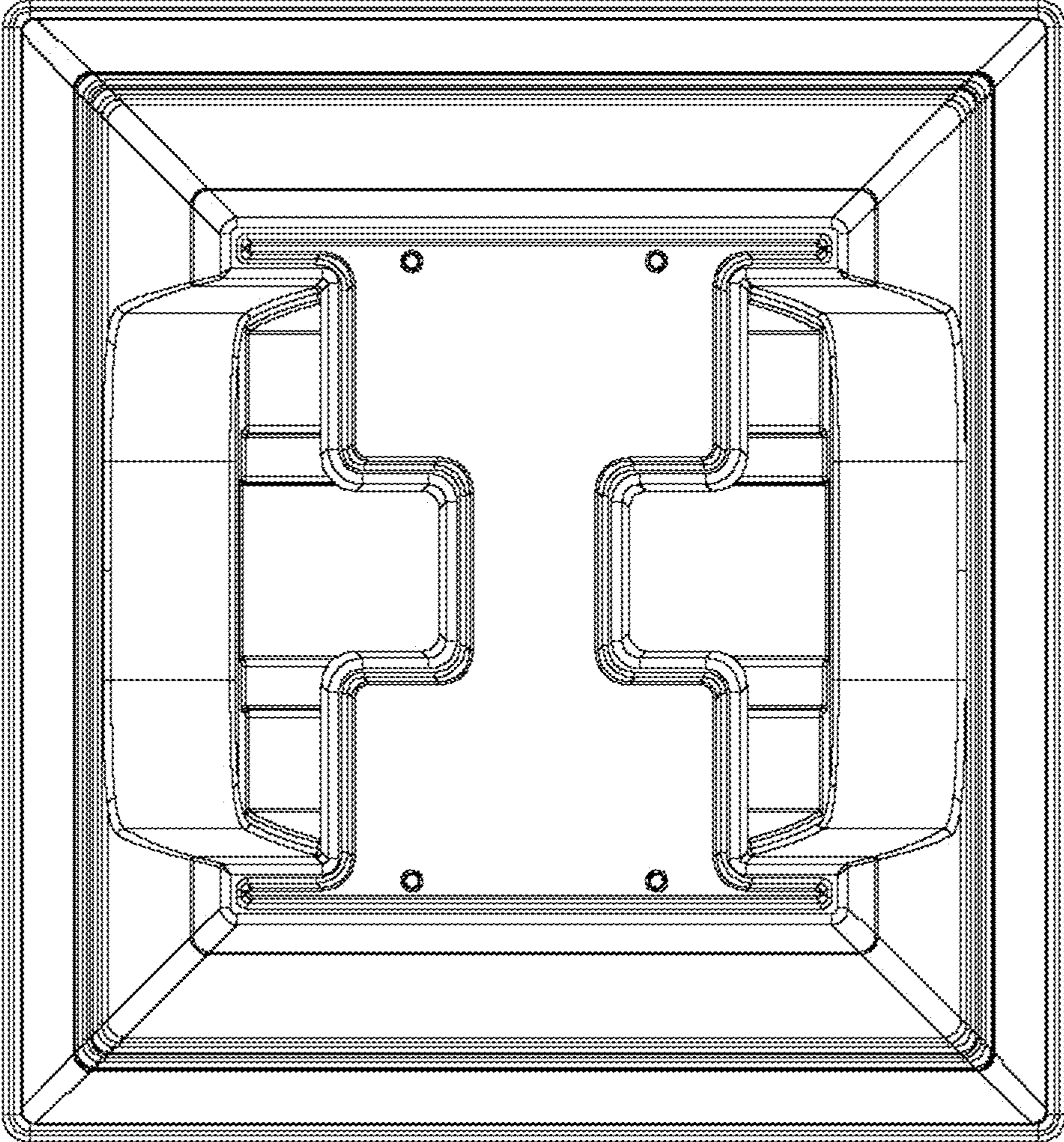


FIG. 5

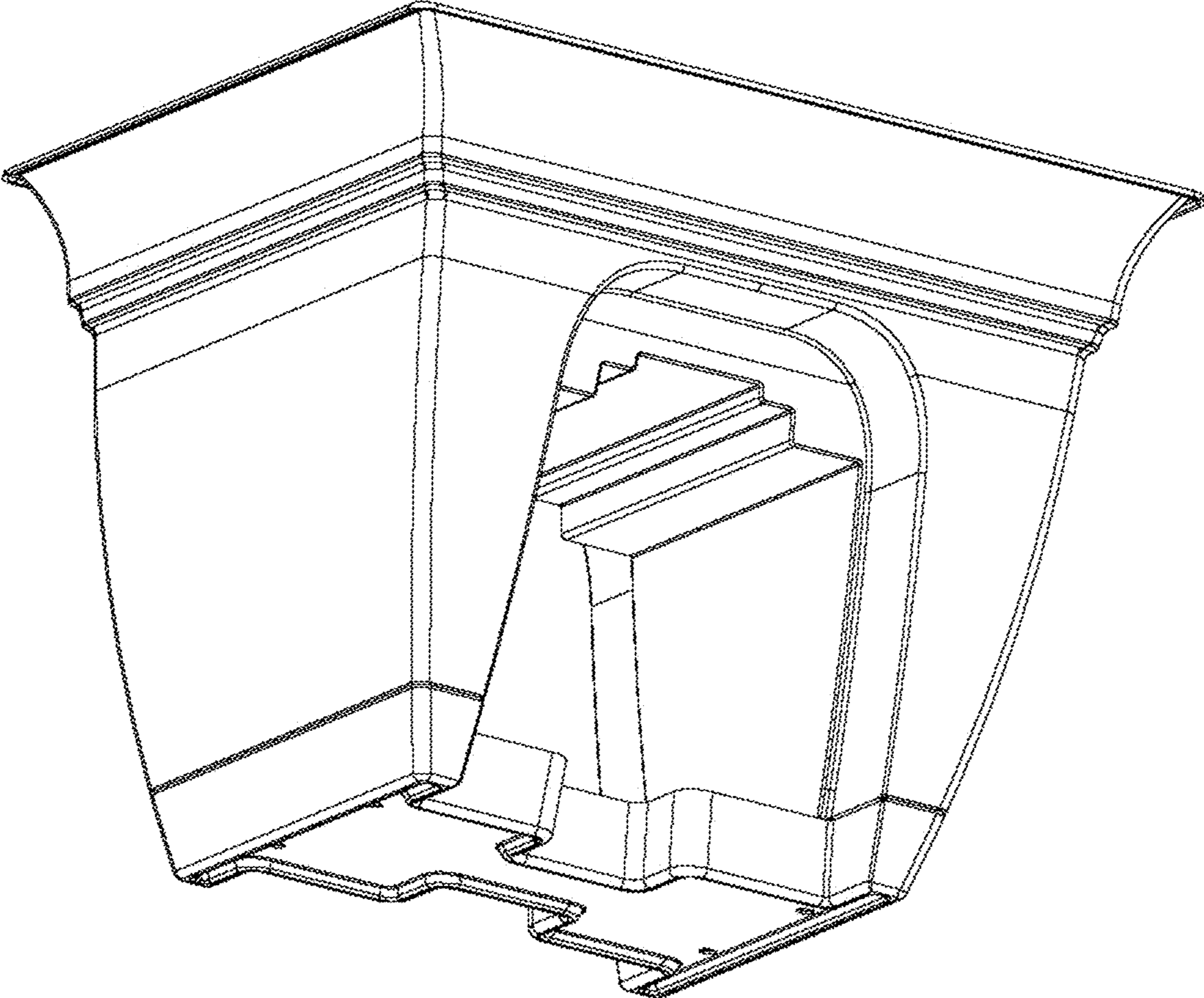


FIG. 6

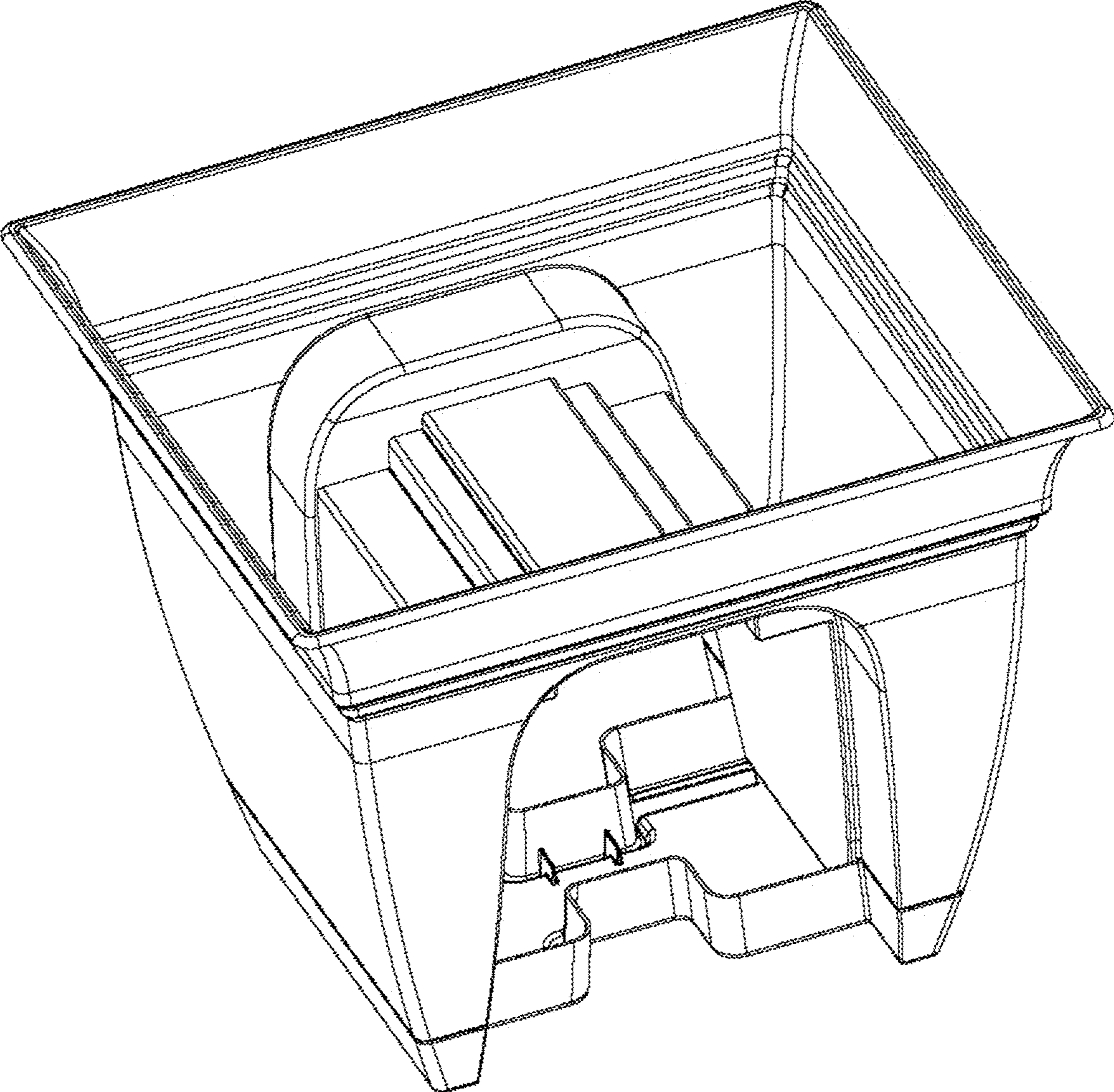


FIG. 7