



US00D938297S

(12) **United States Design Patent**
Abdourahim

(10) **Patent No.:** **US D938,297 S**
(45) **Date of Patent:** **** Dec. 14, 2021**

(54) **PAIR OF EARRINGS**

- (71) Applicant: **Harry Winston SA**, Plan-les-Ouates (CH)
- (72) Inventor: **Delphine Abdourahim**, New York, NY (US)
- (73) Assignee: **Harry Winston SA**, Plan-les-Ouates (CH)
- (**) Term: **15 Years**
- (21) Appl. No.: **29/730,886**
- (22) Filed: **Apr. 9, 2020**
- (30) **Foreign Application Priority Data**

Oct. 14, 2019 (WO) WIPO83433

(51) **LOC (13) Cl.** **11-01**

(52) **U.S. Cl.**
USPC **D11/42**

(58) **Field of Classification Search**

USPC D11/1-3, 6-10, 15-17, 26-30, 34, 35, D11/40-45, 48, 56, 61, 74-76, 79, 81, 83, D11/87-92, 116, 117

CPC A44C 7/00-009; A44C 17/001-003; A44C 17/0208; A44C 17/0216; A44C 17/0225; A44C 17/0233; A44C 17/0241; A44C 17/025; A44C 17/0258; A44C 17/0266; A44C 17/0275; A44C 17/0283; A44C 17/0291; A44C 1/00; A44C 25/00; A44C 25/001; A44C 15/00; A44C 15/001; A44C 15/0025; A44C 15/0035; A44C 9/00; A44C 9/02; A44C 9/003; A44C 9/0007; A44C 9/0015; A44C 9/0023; A44C 9/0038; A44C 9/0046; A44C 9/0053; A44C 9/0061; A44C 9/0069; A44C 9/0076; A44C 9/0084; A44C 9/0092

See application file for complete search history.

(56) **References Cited**

U.S. PATENT DOCUMENTS

- D154,592 S * 7/1949 Duvalet D11/43
- D158,862 S * 6/1950 Katz D11/43
- D161,465 S * 1/1951 Katz D11/43
- D164,719 S * 10/1951 Philippe D11/43

(Continued)

FOREIGN PATENT DOCUMENTS

- JP D1656248 * 3/2020
- JP D1656250 * 3/2020
- WO D204991-002 * 5/2020

OTHER PUBLICATIONS

A Magnificent Pair of Emerald and Diamond Pendant Earclips, available May 28, 2018, online, site visited Sep. 8, 2021. Available from internet, URL: <https://www.phillips.com/detail/harry-winston/HK060118/638> (Year: 2018).*

(Continued)

Primary Examiner — W. A. Teddy Falloway

Assistant Examiner — Sarah J Ault

(74) *Attorney, Agent, or Firm* — Blank Rome LLP

(57) **CLAIM**

The ornamental design for a pair of earrings, as shown and described.

DESCRIPTION

- FIG. 1 is a front view of a pair of earrings of the present design;
- FIG. 2 is a rear view thereof;
- FIG. 3 is a right side view thereof;
- FIG. 4 is a left side view thereof;
- FIG. 5 is a top view thereof;
- FIG. 6 is a bottom view thereof;
- FIG. 7 is a front left perspective view thereof; and,
- FIG. 8 is a rear left perspective view thereof.

1 Claim, 8 Drawing Sheets



(56)

References Cited

U.S. PATENT DOCUMENTS

D164,997	S	*	10/1951	Katz	D11/79
D165,157	S	*	11/1951	Katz	D11/79
D175,622	S	*	9/1955	Katz	D11/79
D177,851	S	*	5/1956	Katz	D11/75
D386,440	S	*	11/1997	Napper	D11/40
D751,451	S	*	3/2016	Kwon	D11/42
D753,012	S	*	4/2016	Yatsugi-Kang	D11/40
D758,911	S	*	6/2016	Kwon	D11/43
D780,038	S	*	2/2017	Riviere	D11/43
D783,442	S	*	4/2017	Yatsugi-Kang	D11/40
D784,846	S	*	4/2017	Abdourahim	D11/43
D785,491	S	*	5/2017	Yatsugi-Kang	D11/43
D789,826	S	*	6/2017	Riviere	D11/43
D820,145	S	*	6/2018	Galli	D11/40
D889,309	S	*	7/2020	Tashjian	D11/40

OTHER PUBLICATIONS

Harry Winston Platinum and Diamond Pendant Earrings, available 2000, online, site visited Sep. 8, 2021. Available from internet, URL: https://www.1stdibs.com/jewelry/earrings/drop-earrings/harry-winston-platinum-diamond-pendant-earrings/id-j_9001982/?epik= (Year: 2000).*

Harry Winston Diamond Platinum Cluster Earrings, available 1980, online, site visited Sep. 8, 2021. Available from internet, URL: https://www.1stdibs.com/jewelry/earrings/more-earrings/harry-winston-diamond-platinum-cluster-earrings/id-j_553762/ (Year: 2000).*

* cited by examiner



FIG. 1

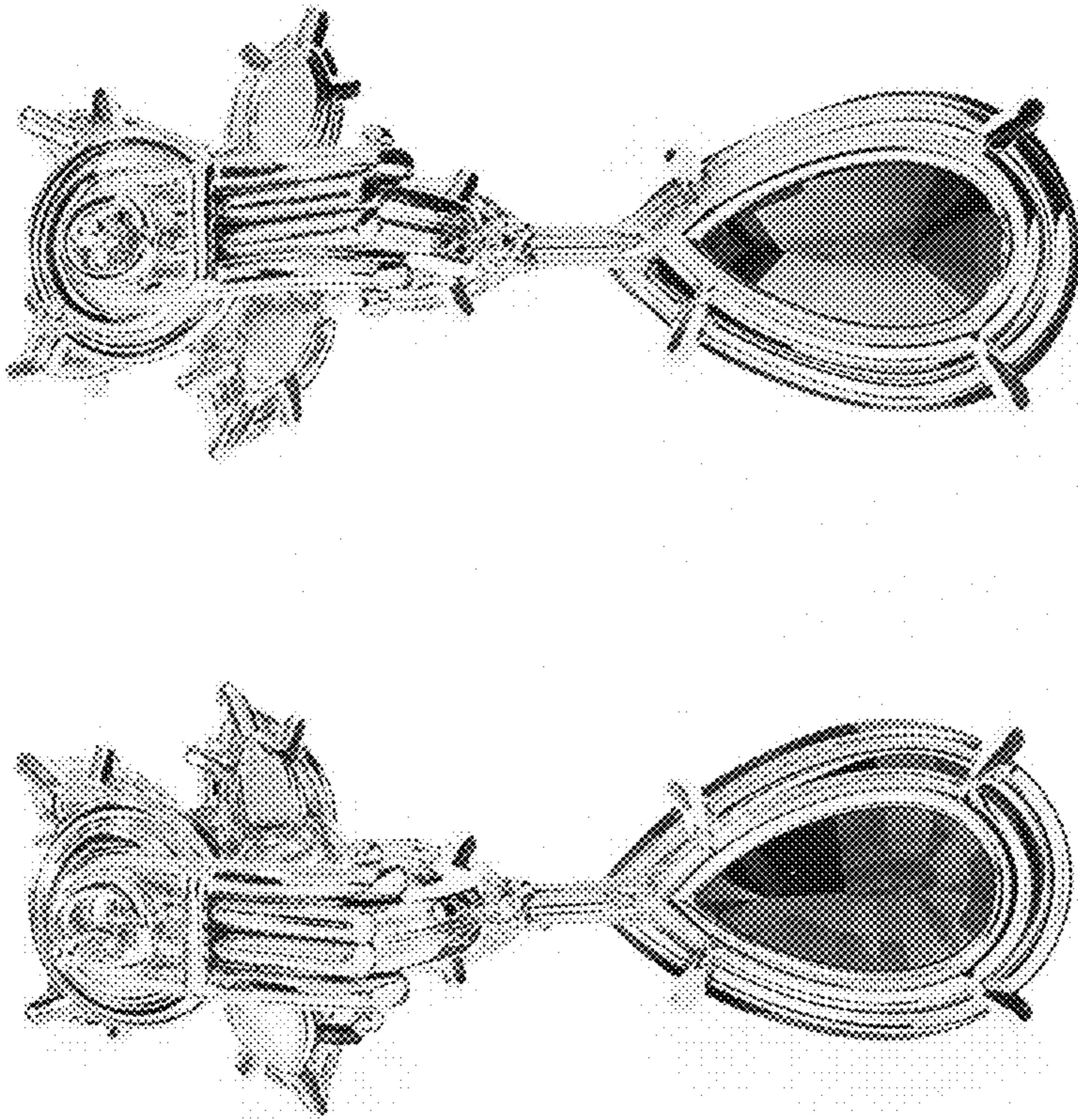


FIG. 2



FIG. 3



FIG. 4

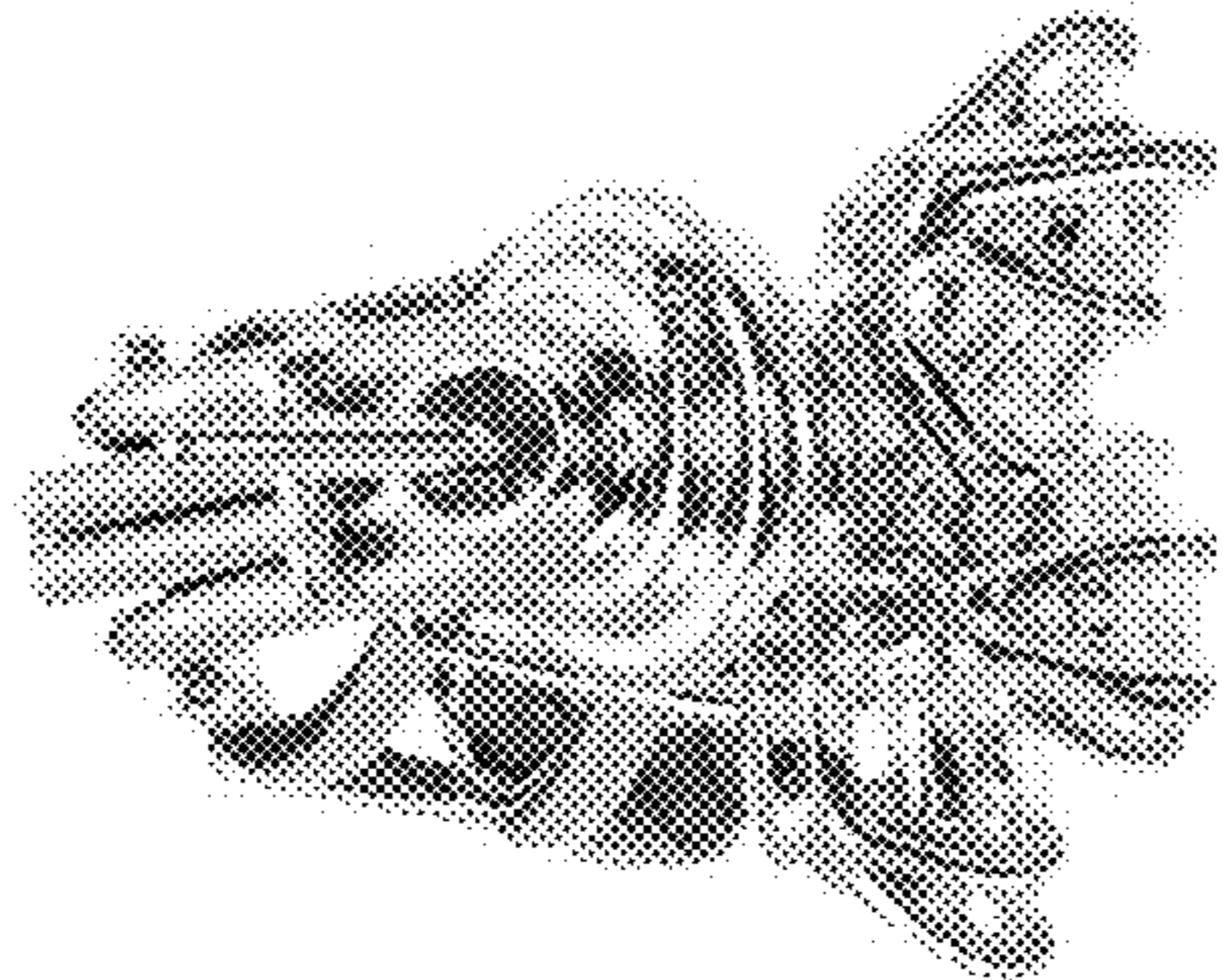
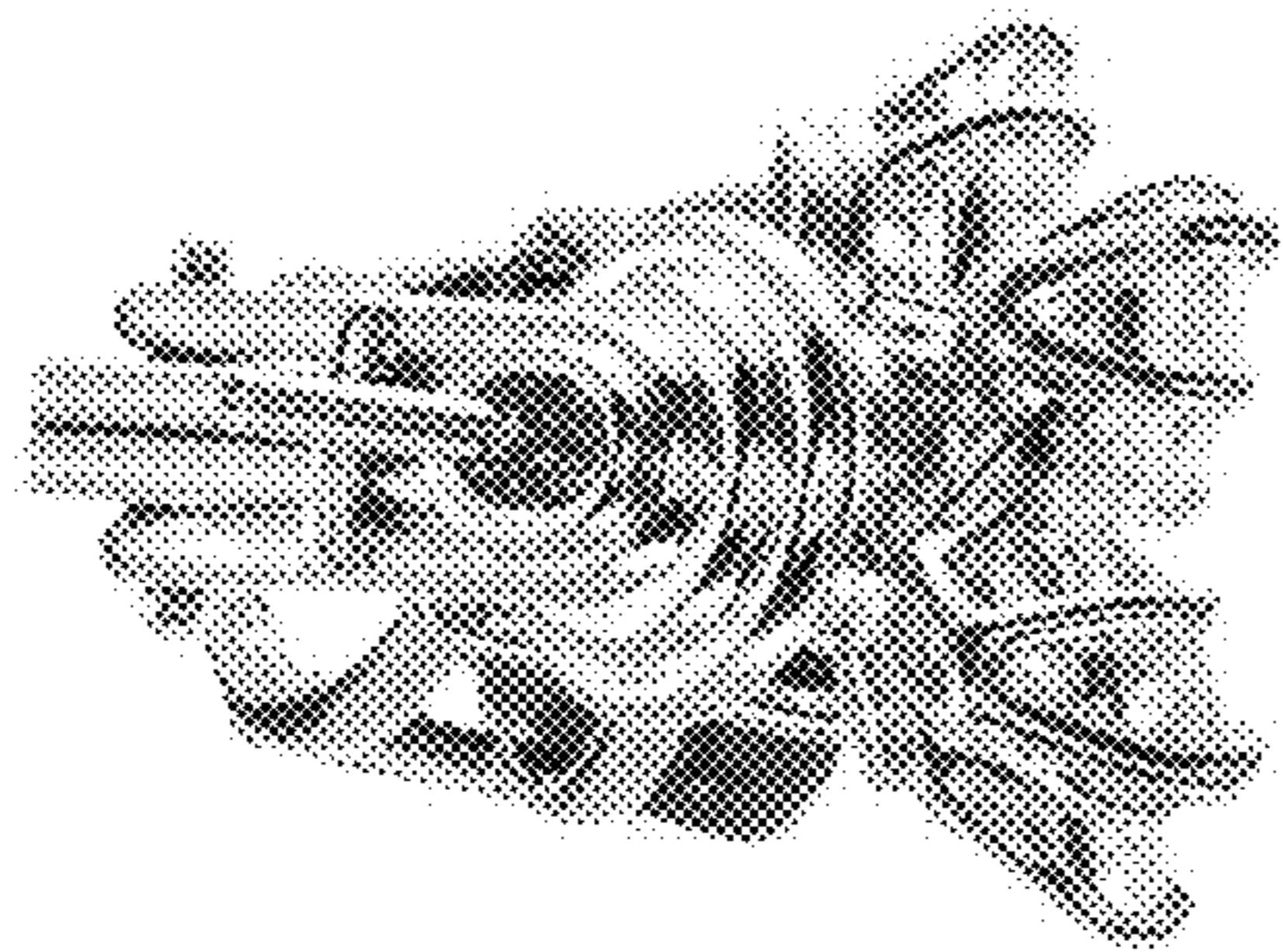


FIG. 5

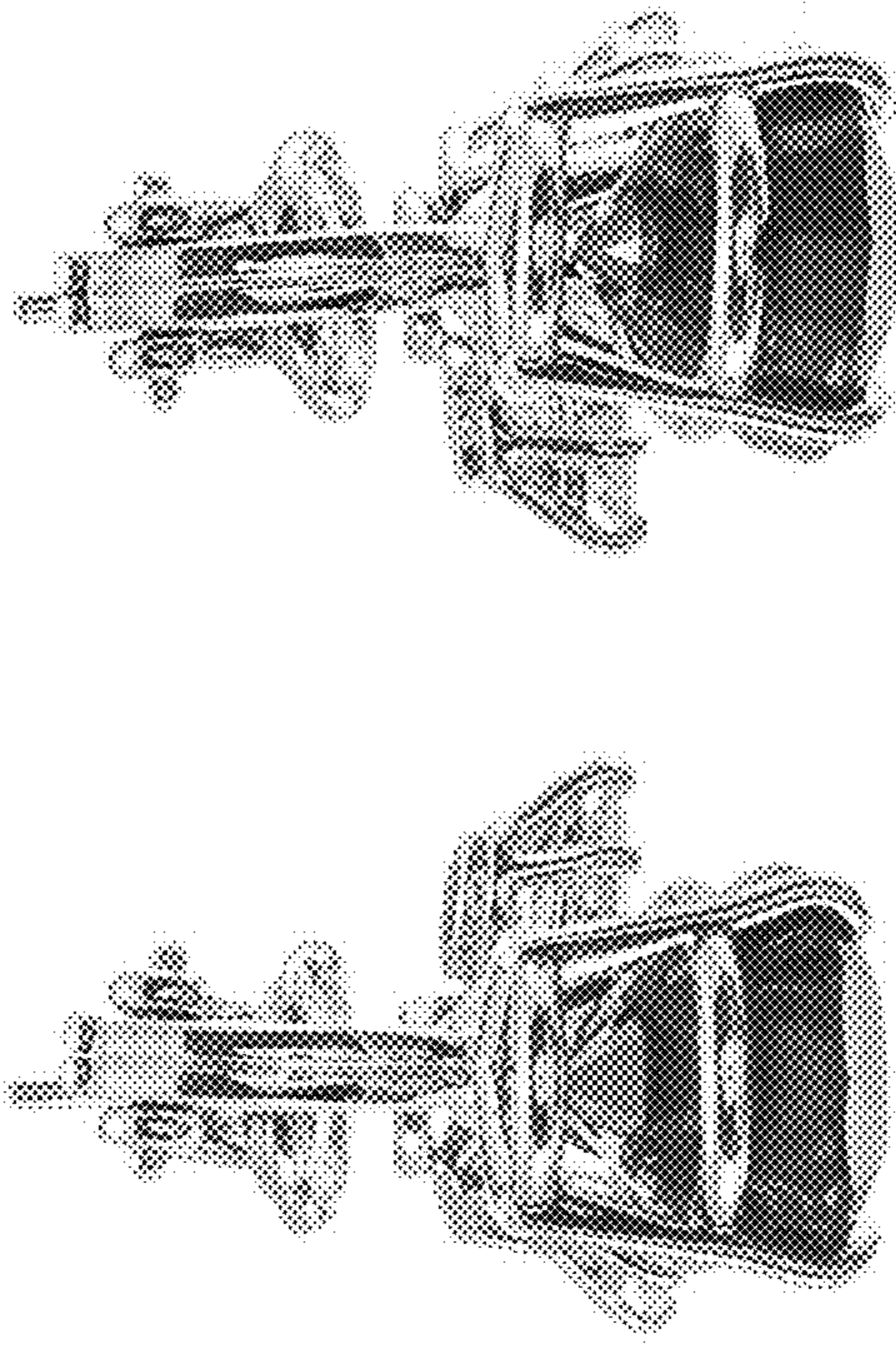


FIG. 6



FIG. 7

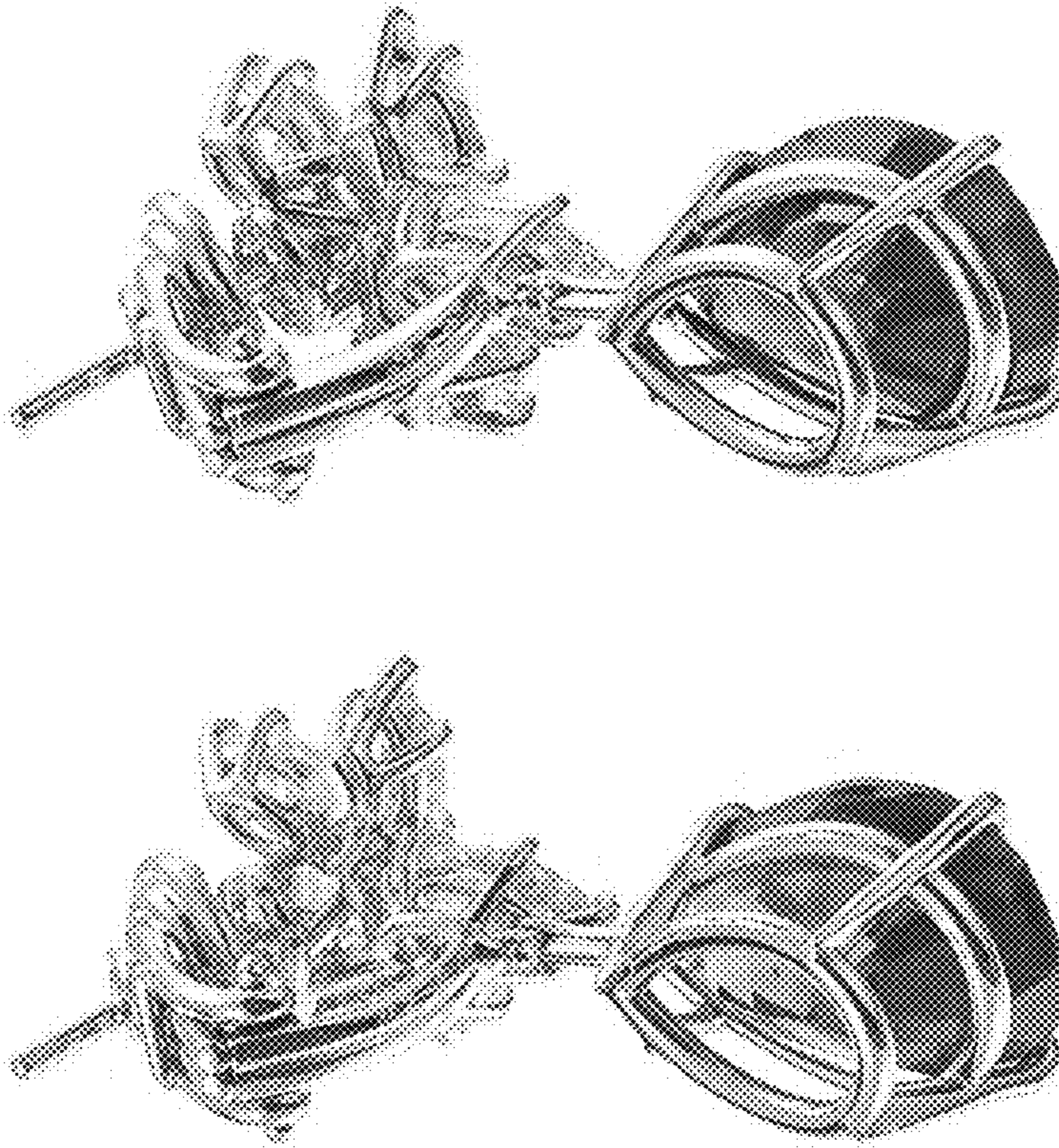


FIG. 8