



US00D938291S

(12) **United States Design Patent** (10) **Patent No.:** **US D938,291 S**
Corrigan (45) **Date of Patent:** **** Dec. 14, 2021**

- (54) **THREE-PHASE POWER TESTER**
- (71) Applicant: **Fluke Corporation**, Everett, WA (US)
- (72) Inventor: **Christopher D. Corrigan**, Blacksburg, VA (US)
- (73) Assignee: **Fluke Corporation**, Everett, WA (US)
- (**) Term: **15 Years**
- (21) Appl. No.: **29/706,488**
- (22) Filed: **Sep. 20, 2019**

Related U.S. Application Data

- (62) Division of application No. 29/637,767, filed on Feb. 21, 2018, now Pat. No. Des. 864,771.
- (51) **LOC (13) Cl.** **10-04**
- (52) **U.S. Cl.**
USPC **D10/75**
- (58) **Field of Classification Search**
USPC D10/75, 78
CPC G01R 22/00; G01R 22/06; G01R 22/061; G01R 22/08; G01R 22/10; G01R 22/065; G01R 21/00; G01R 21/06; G01R 21/133; G01R 21/1331; G01R 21/1333; G01R 21/1335; G01R 21/1336; G01R 21/1338; G01R 21/065; G06F 17/40; G06F 19/00; G16F 1/30; G01D 4/006; G01D 11/245; G06Q 50/06; F25D 29/00; F25D 21/08; F25B 2600/23; H02J 3/04; H02J 13/0086; H02J 13/0062; H02J 2003/146; Y02B 70/3225; Y02B 70/3216

See application file for complete search history.

(56) **References Cited**

U.S. PATENT DOCUMENTS

- D397,046 S * 8/1998 Oshizawa D10/65
- D507,979 S * 8/2005 Robinson D10/65
- D726,047 S * 4/2015 Laurino H04W 88/005 D10/78

OTHER PUBLICATIONS

Fluke, Technical Data, "Fluke 1732 and 1734 Three-Phase Electrical Energy Loggers", © 2017 Fluke Corporation, 10 pgs.
 Fluke, Technical Data, "1742, 1746 and 1748 Three-Phase Power Quality Loggers", © 2017 Fluke Corporation, 12 pgs.

* cited by examiner

Primary Examiner — Antoine Duval Davis

(74) *Attorney, Agent, or Firm* — Seed Intellectual Property Law Group LLP

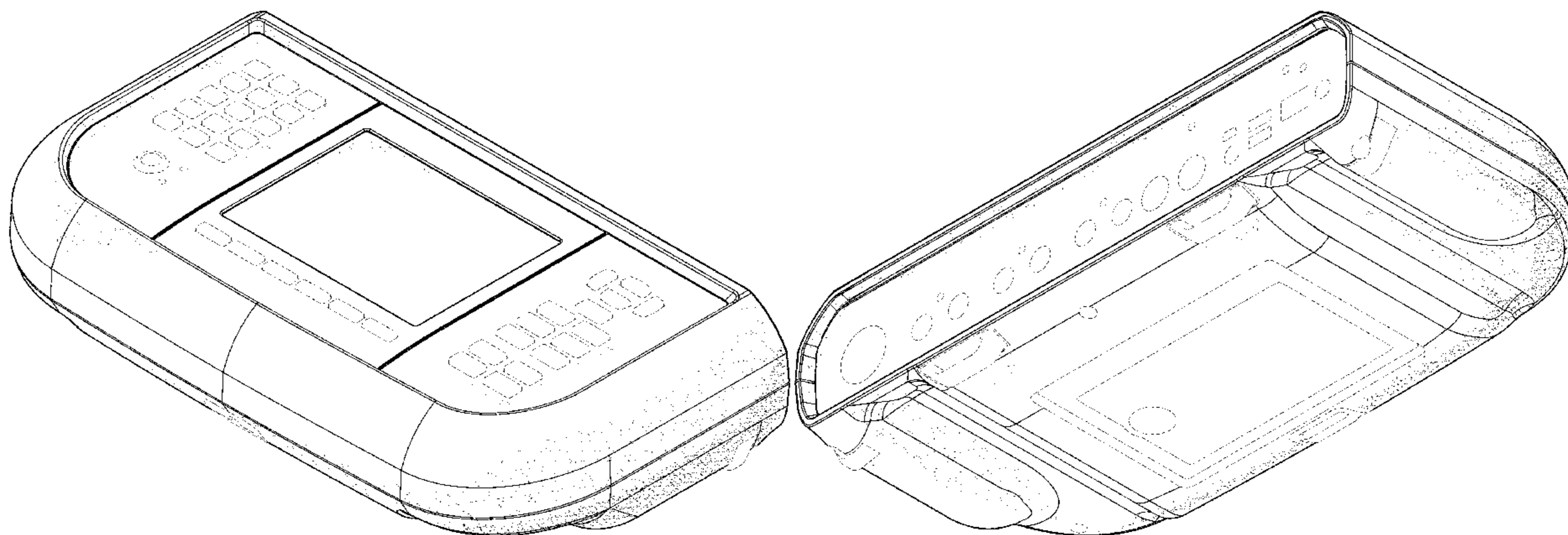
(57) **CLAIM**

The ornamental design for a three-phase power tester, as shown and described.

DESCRIPTION

FIG. 1 is a top, front right perspective view of a three-phase power tester showing my new design.
 FIG. 2 is a bottom, rear left perspective view thereof.
 FIG. 3 is a top plan view thereof.
 FIG. 4 is a front elevation view thereof.
 FIG. 5 is a right side elevation view thereof.
 FIG. 6 is a left side elevation view thereof.
 FIG. 7 is a rear elevation view thereof; and,
 FIG. 8 is a bottom plan view thereof.
 The broken line showing of structural features is included for the purpose of illustrating non-claimed portions and forms no part of the claimed design.

1 Claim, 7 Drawing Sheets



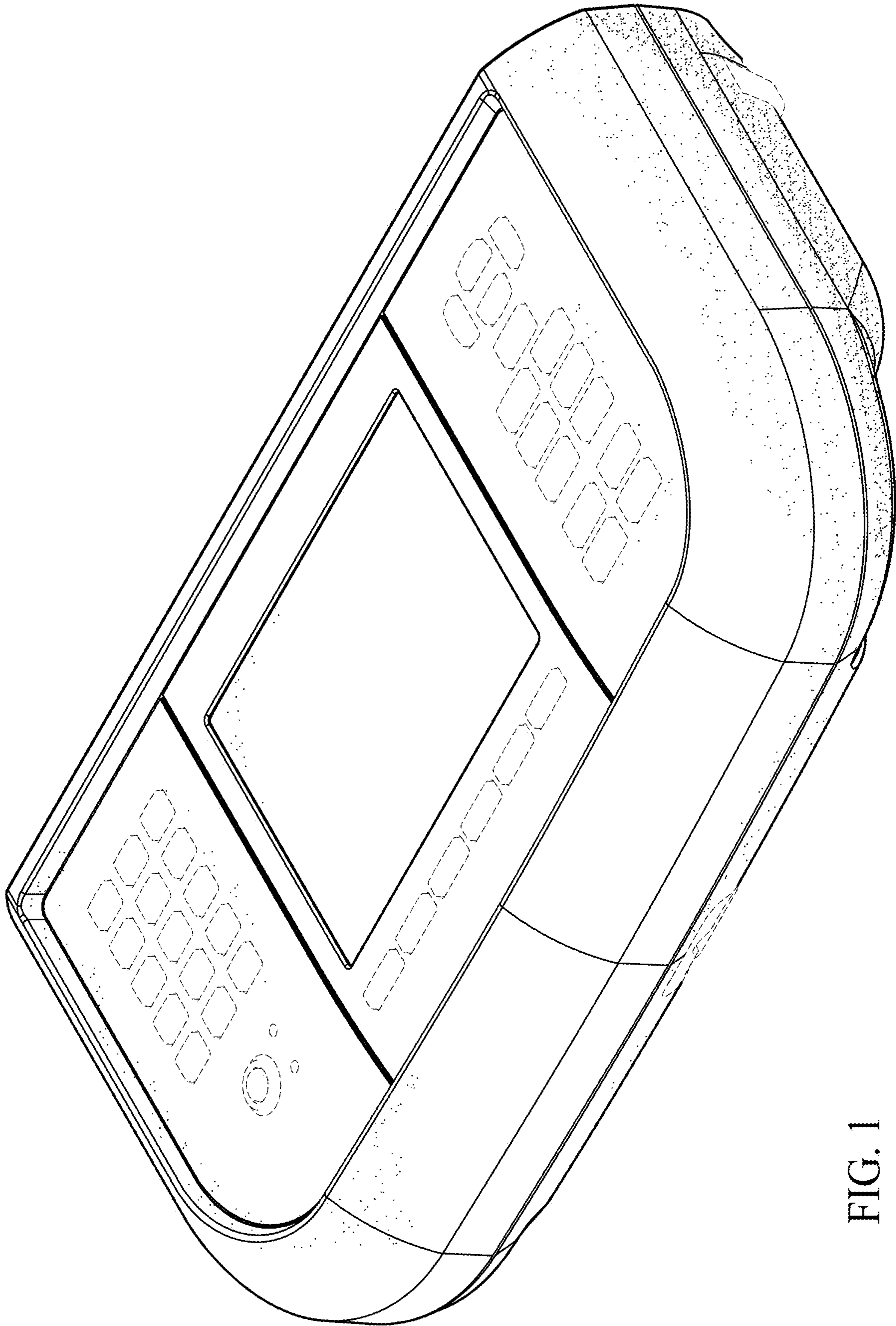


FIG. 1

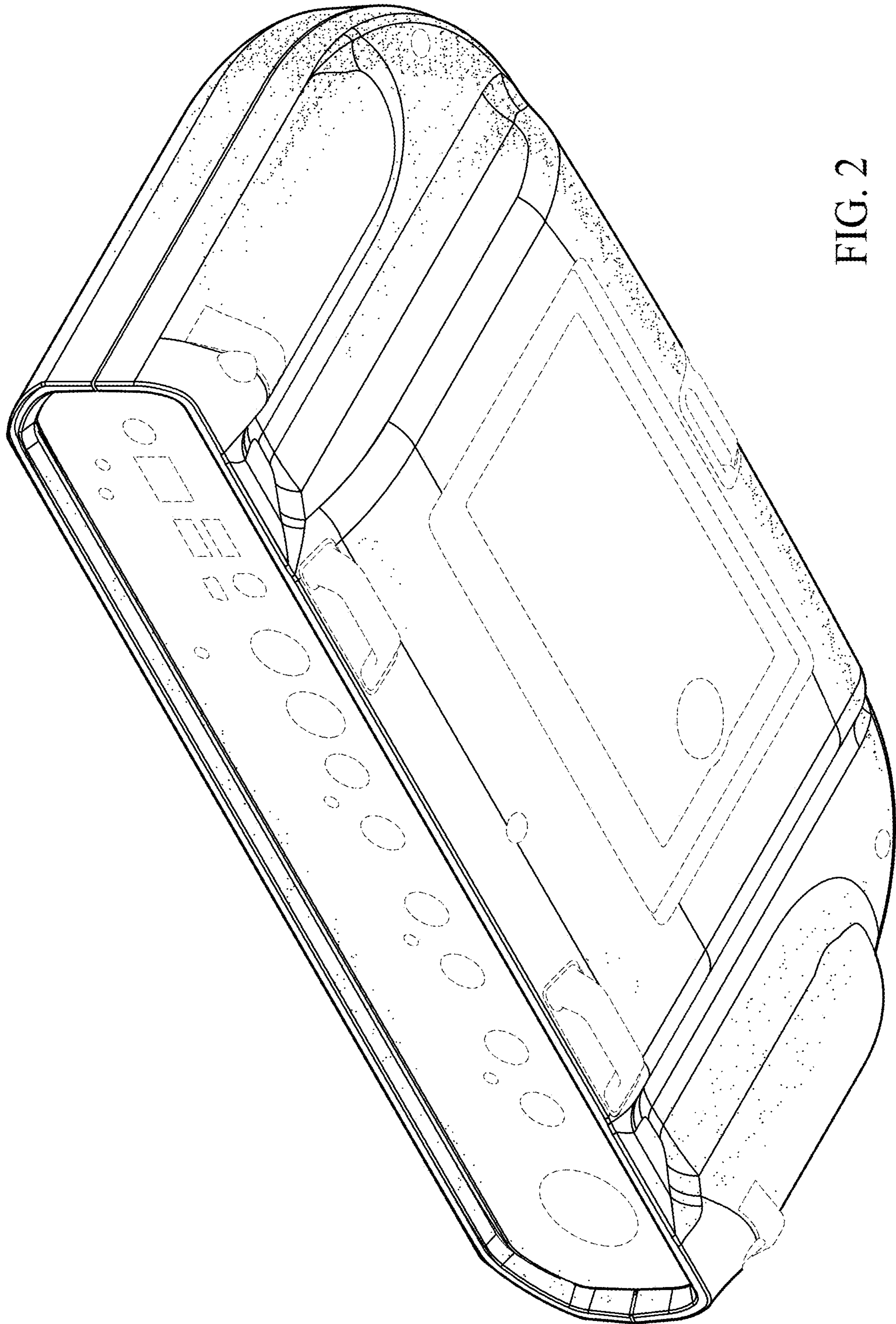


FIG. 2

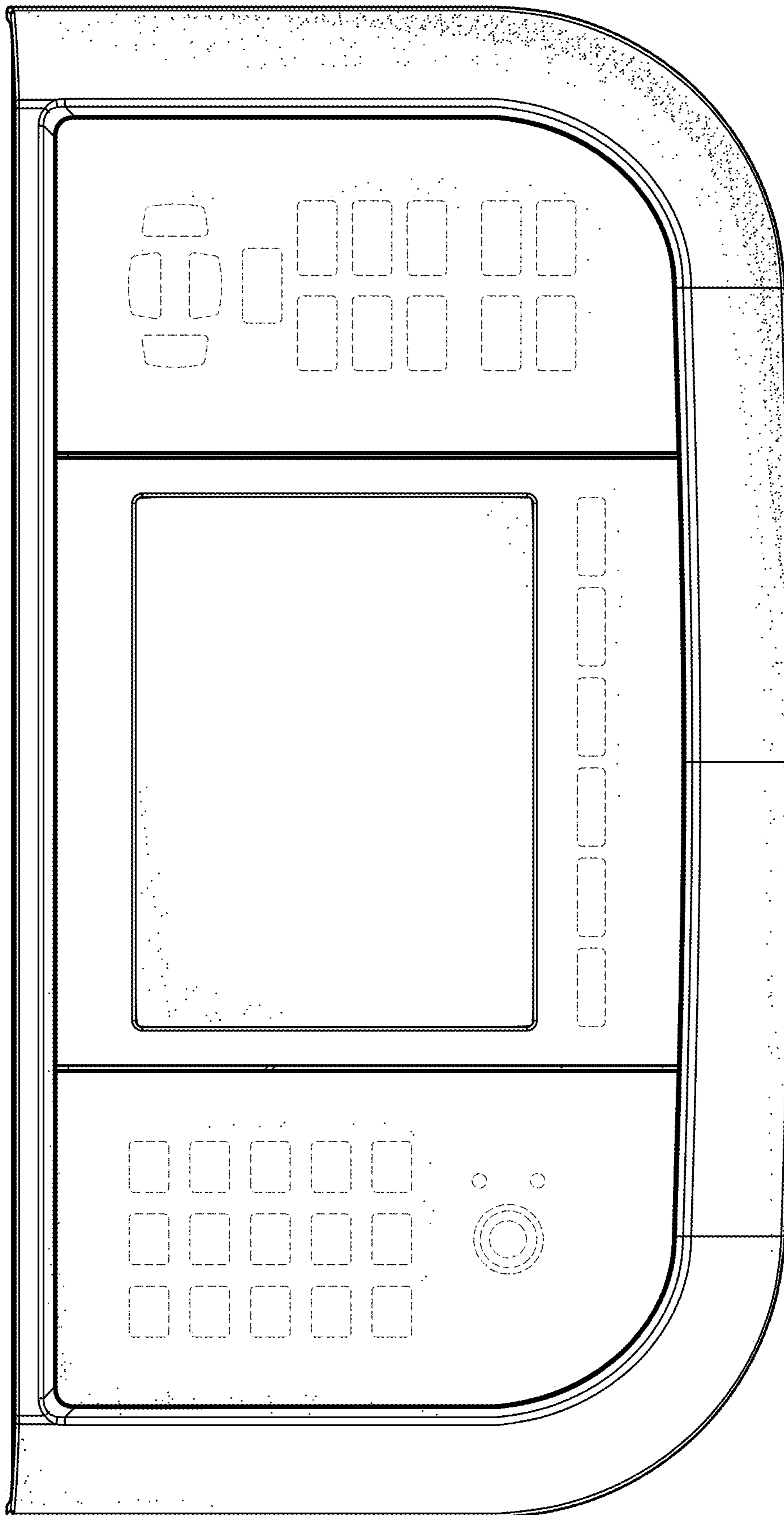


FIG. 3

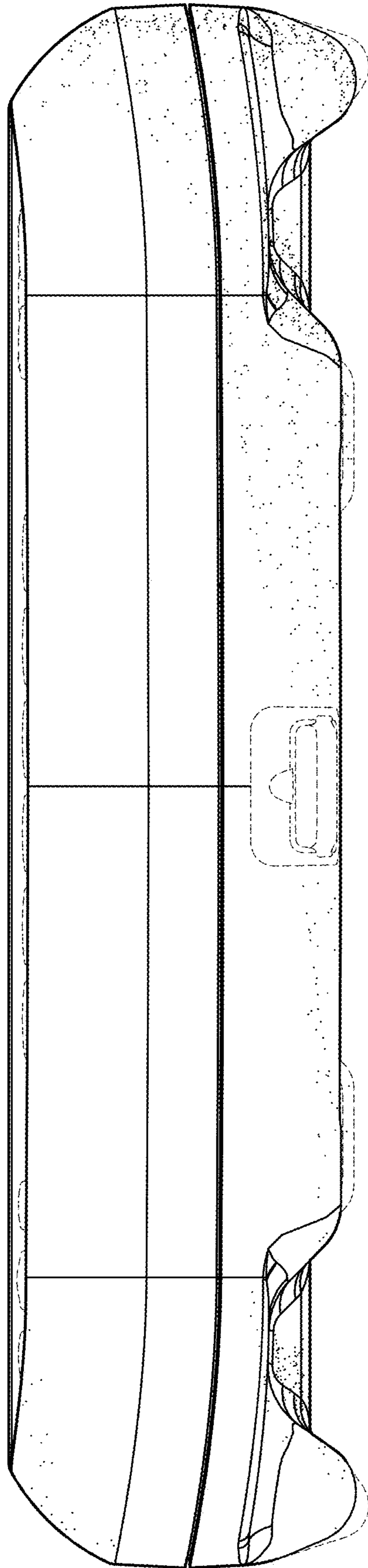


FIG. 4

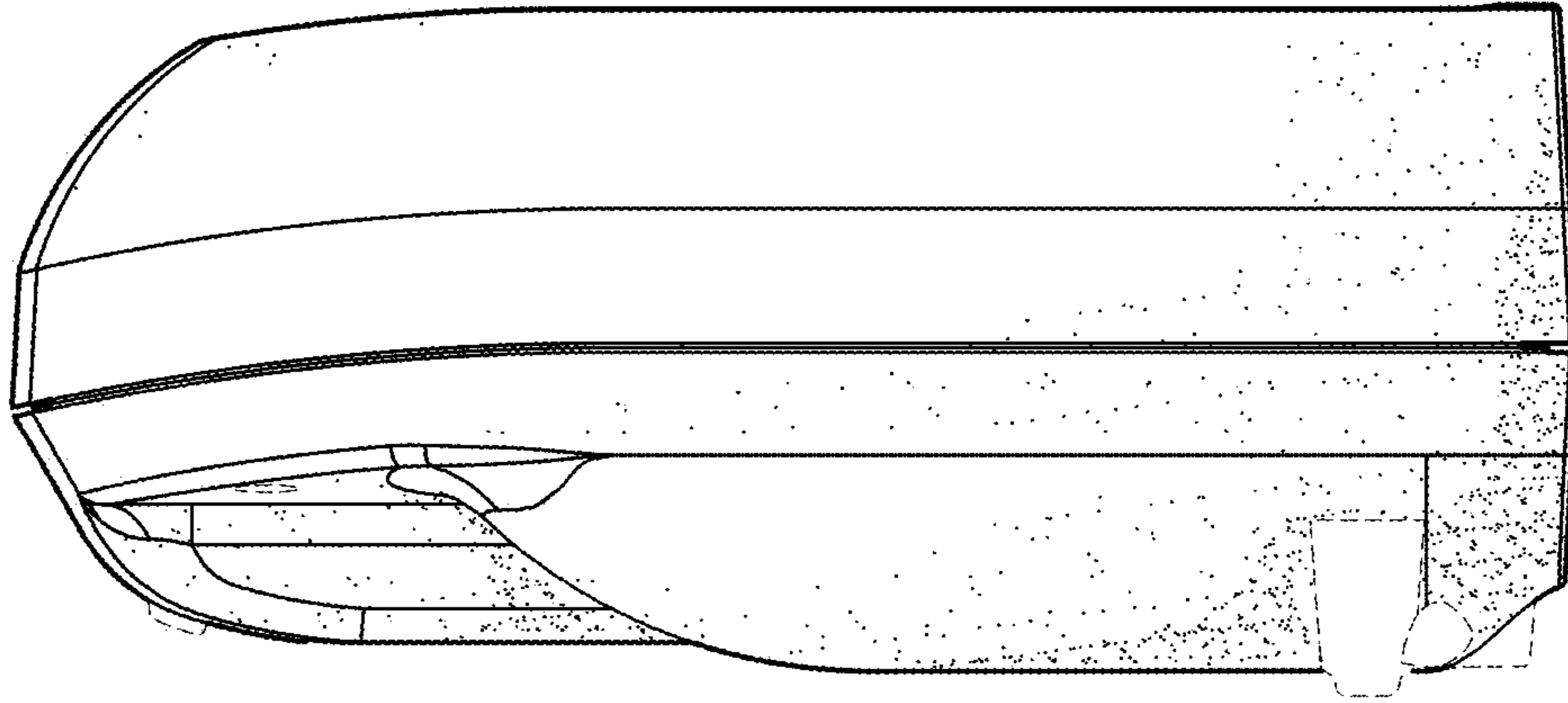


FIG. 5

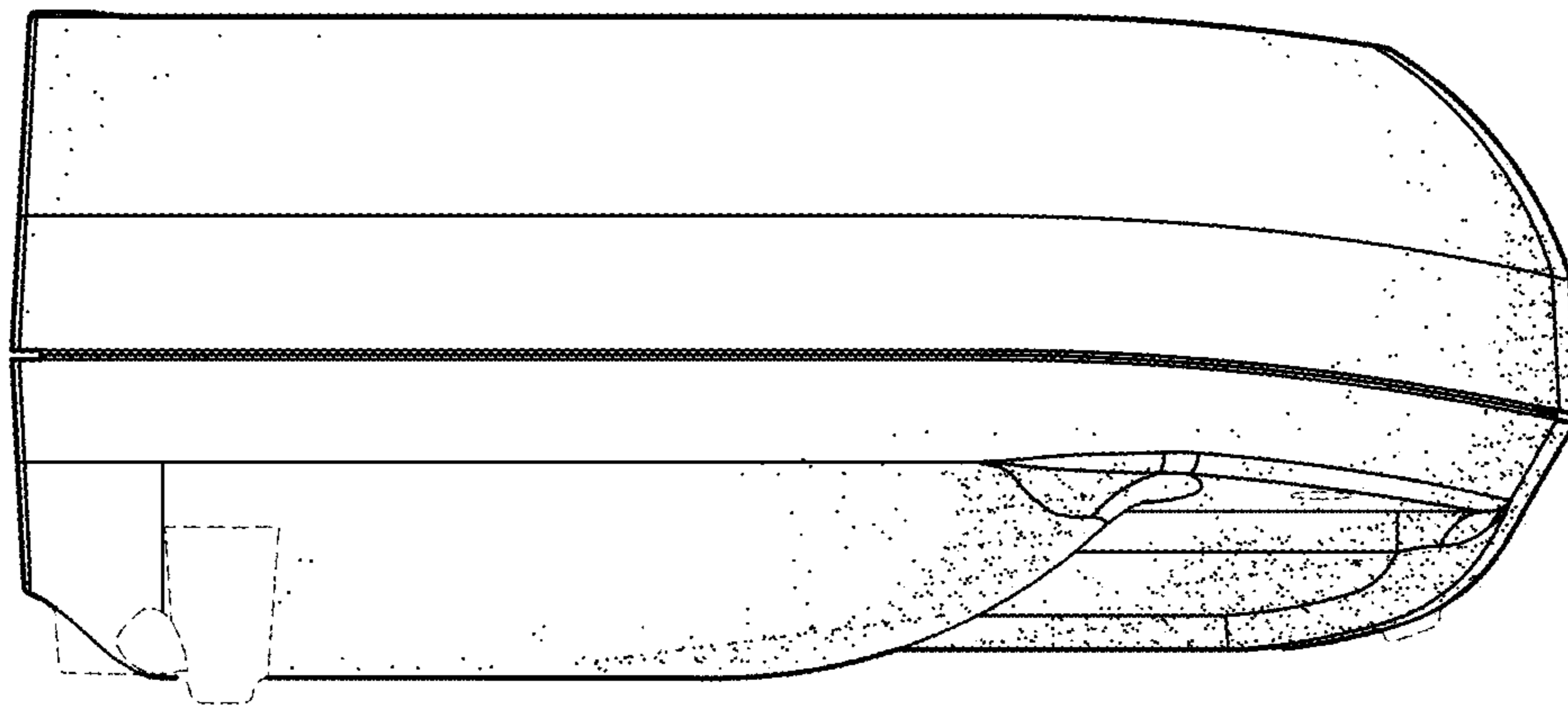


FIG. 6

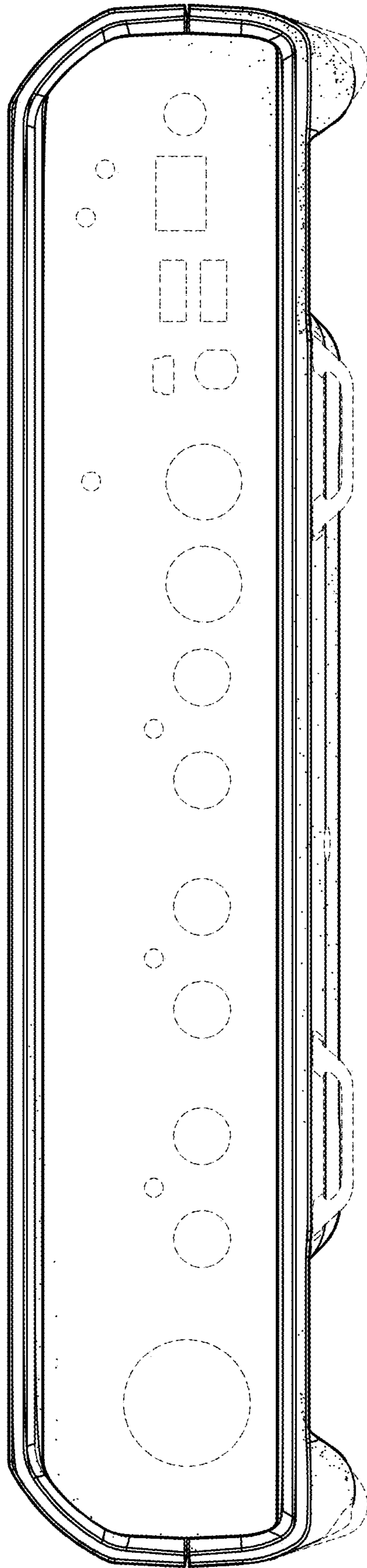


FIG. 7

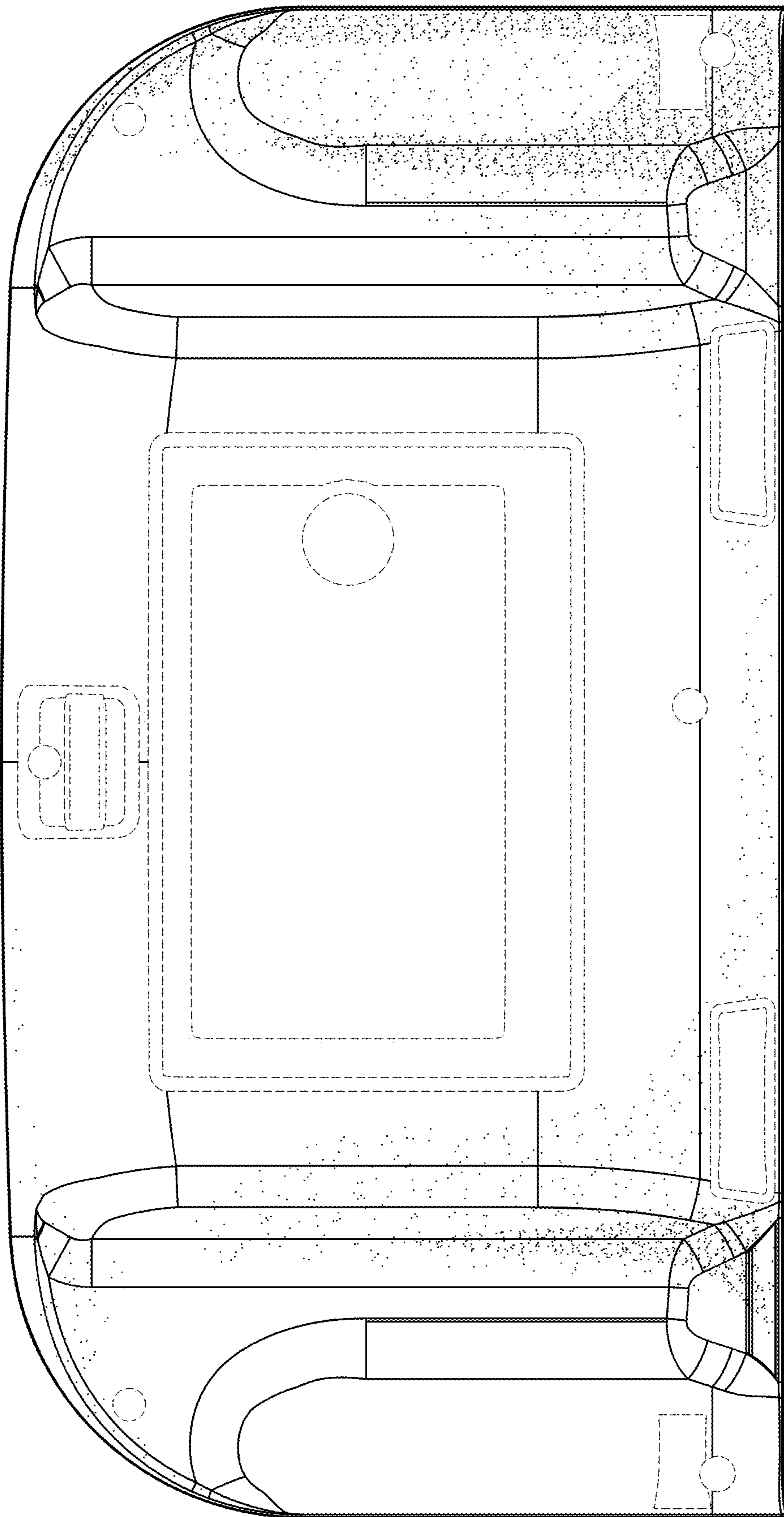


FIG. 8