



US00D938289S

(12) **United States Design Patent** (10) **Patent No.:** **US D938,289 S**
Exantus (45) **Date of Patent:** **** Dec. 14, 2021**

(54) **CHILD MONITORING DEVICE**
(71) Applicant: **Jimcy Exantus**, Naples, FL (US)
(72) Inventor: **Jimcy Exantus**, Naples, FL (US)
(**) Term: **15 Years**
(21) Appl. No.: **29/706,311**
(22) Filed: **Sep. 19, 2019**
(51) **LOC (13) Cl.** **10-04**
(52) **U.S. Cl.**
USPC **D10/70; D10/38**
(58) **Field of Classification Search**
USPC D10/30-39, 70, 78, 97, 98; D14/138 R,
D14/203.5, 203.6, 203.7, 341, 344;
D24/167, 186
See application file for complete search history.

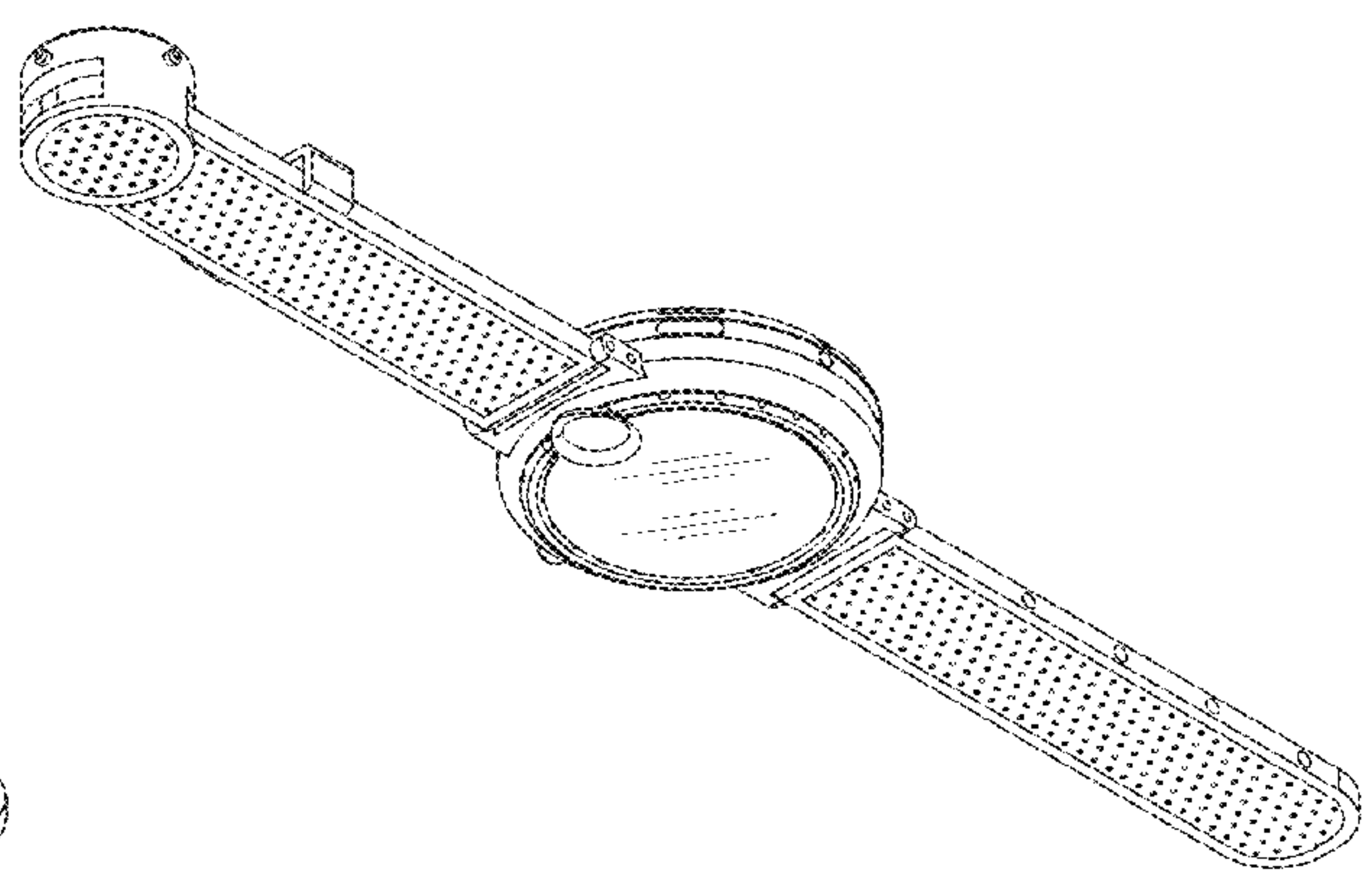
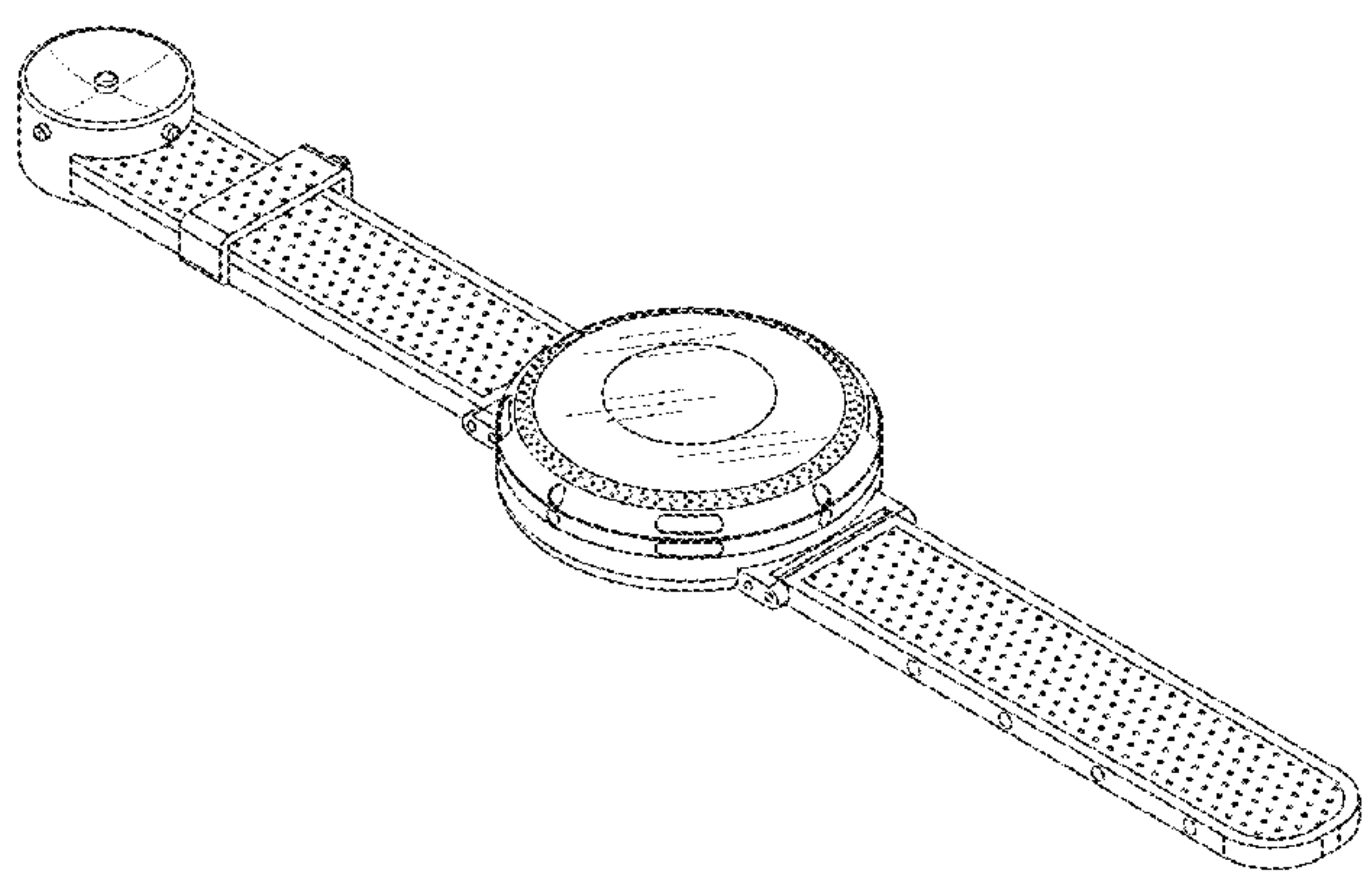
(56) **References Cited**
U.S. PATENT DOCUMENTS
7,711,961 B2 * 5/2010 Fujinuma G06F 21/32
713/186
D768,623 S * 10/2016 Zou D14/344
D821,231 S * 6/2018 Pan D10/70
D840,254 S * 2/2019 Nguyen G06F 21/32
D10/70
D844,458 S * 4/2019 Lillquist D10/30
D865,543 S * 11/2019 Lumme D10/70
D875,555 S * 2/2020 Komulainen D10/32

D881,875 S * 4/2020 Ke D14/344
D893,322 S * 8/2020 Xiao D10/70
2021/0000364 A1 * 1/2021 Lee G04G 17/04
2021/0030359 A1 * 2/2021 Jeong A61B 5/02416
2021/0208624 A1 * 7/2021 Kim G06F 1/163
* cited by examiner
Primary Examiner — Antoine Duval Davis
(74) *Attorney, Agent, or Firm* — John Rizvi; John Rizvi,
P.A.—The Patent Professor®

(57) **CLAIM**
I claim the ornamental design for a child monitoring device,
as shown and described.

DESCRIPTION
FIG. 1 is a top front isometric view of a child monitoring device showing my new design;
FIG. 2 is a bottom front isometric view of a child monitoring device showing my new design;
FIG. 3 is a top plan view thereof;
FIG. 4 is a bottom plan view thereof;
FIG. 5 is a front elevation view thereof;
FIG. 6 is a rear elevation view thereof;
FIG. 7 is an enlarged, left side elevation view thereof; and,
FIG. 8 is an enlarged, right side elevation view thereof.

1 Claim, 5 Drawing Sheets



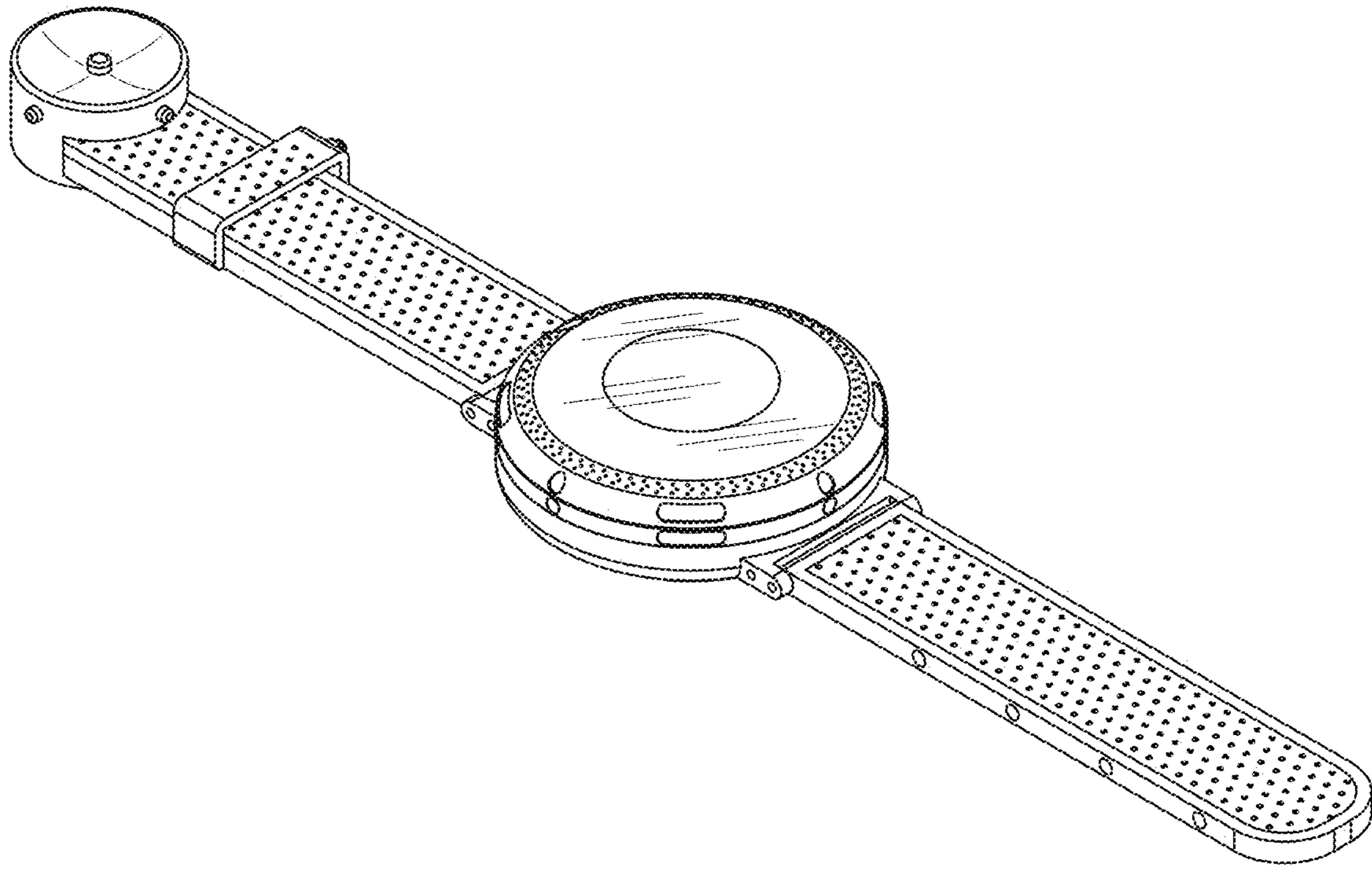


FIG. 1

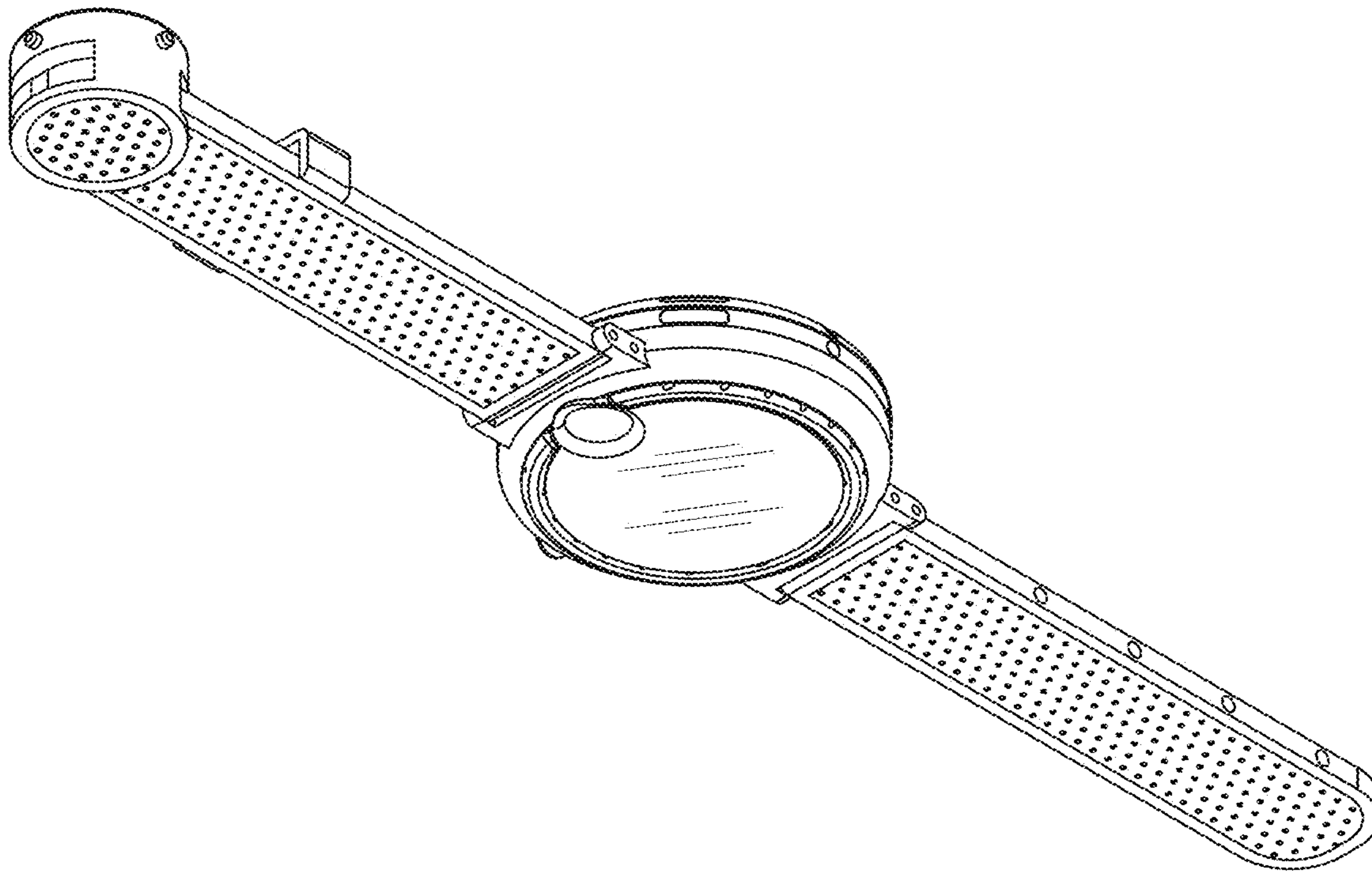


FIG. 2

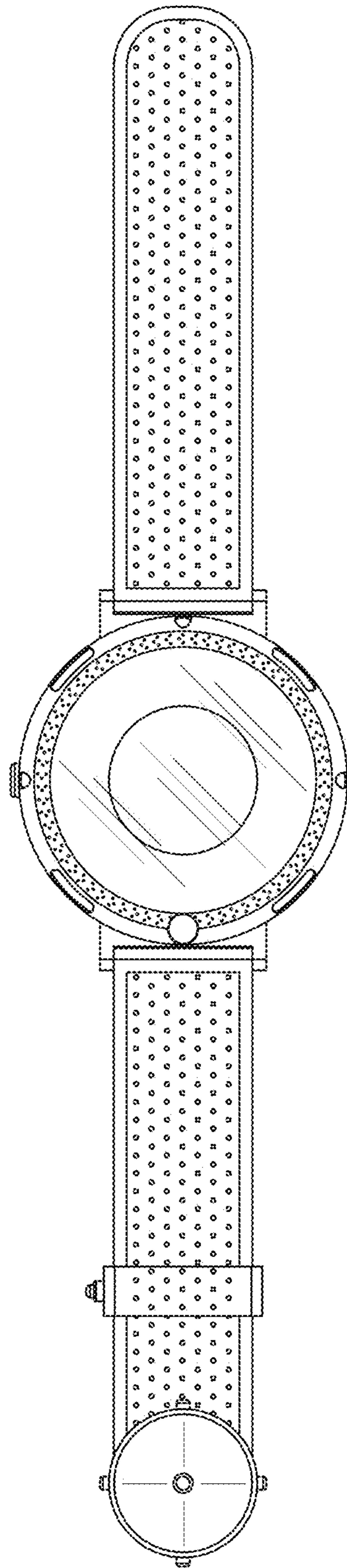


FIG. 3

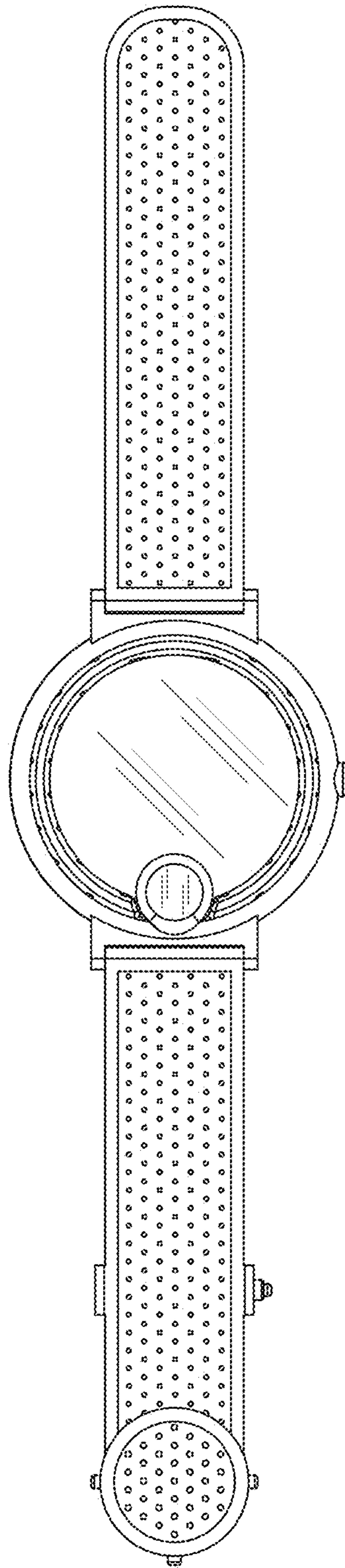


FIG. 4

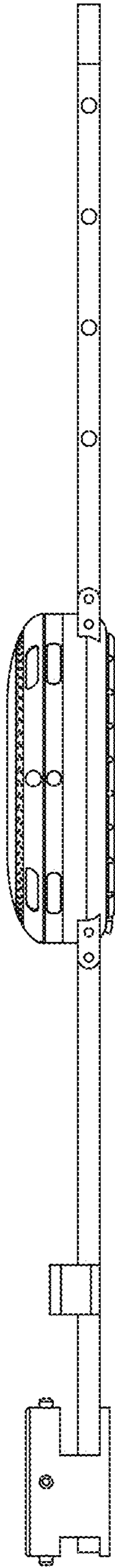


FIG. 5

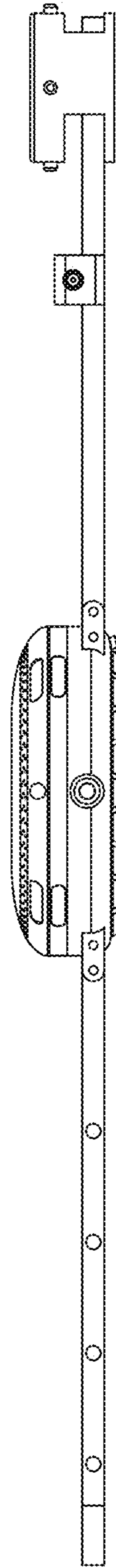


FIG. 6

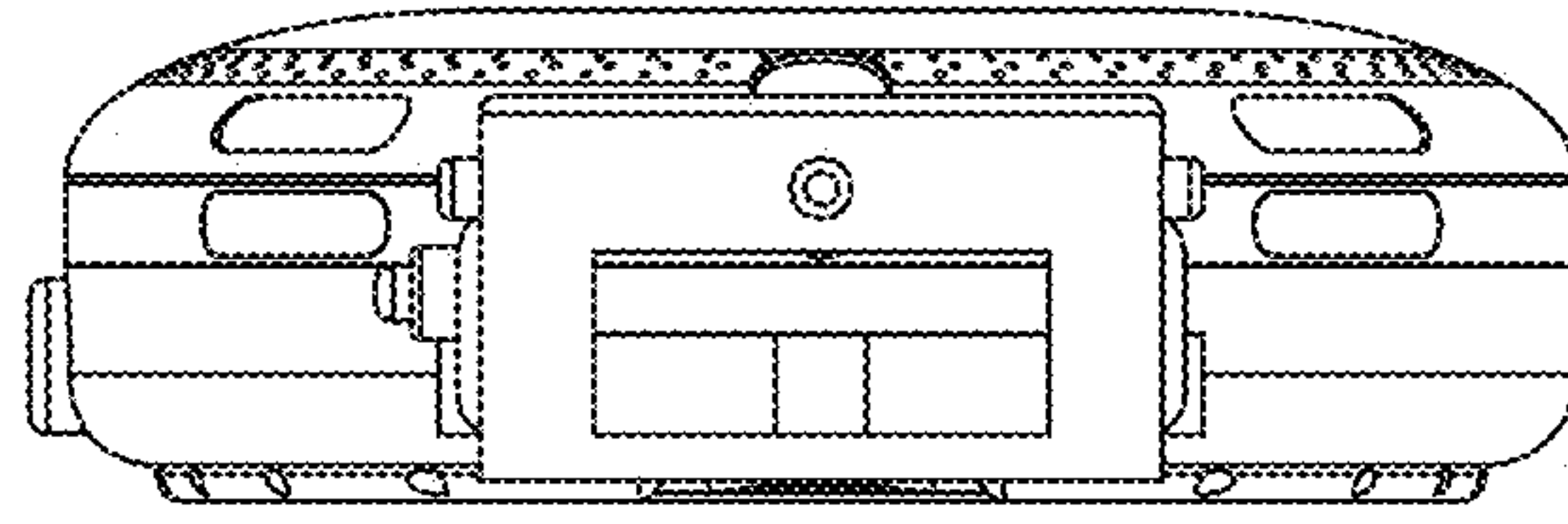


FIG. 7

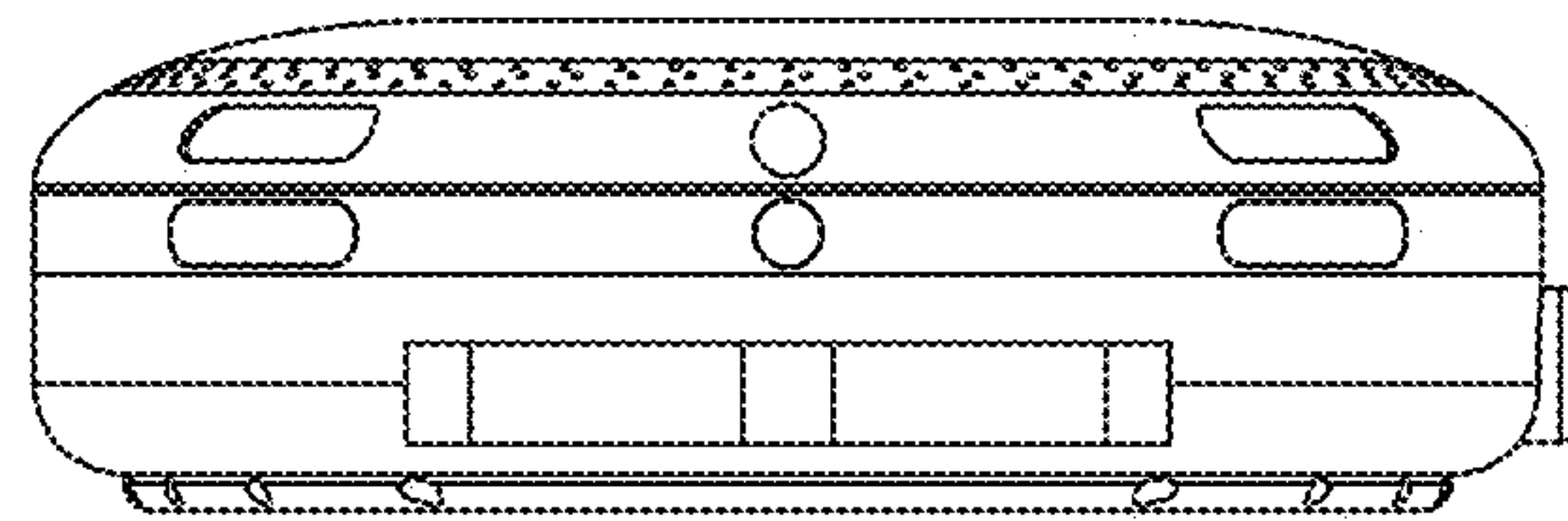


FIG. 8