



US00D938288S

(12) **United States Design Patent**
Chen

(10) **Patent No.:** **US D938,288 S**

(45) **Date of Patent:** **** Dec. 14, 2021**

(54) **TOOL**

(71) Applicant: **Zircon Corporation**, Campbell, CA
(US)

(72) Inventor: **Chien-Hsu Chen**, San Jose, CA (US)

(73) Assignee: **Zircon Corporation**, Campbell, CA
(US)

(**) Term: **15 Years**

(21) Appl. No.: **29/702,747**

(22) Filed: **Aug. 21, 2019**

(51) **LOC (13) Cl.** **10-04**

(52) **U.S. Cl.**
USPC **D10/65**

(58) **Field of Classification Search**
USPC D10/46, 49, 52, 56, 57, 96, 97, 104.1,
D10/116.1
CPC G08B 21/20; B01D 5/006; B01D 35/30;
C02F 1/002; C02F 1/003; G01N 17/00;
G01N 19/10; G01N 27/00; G01N 27/048
See application file for complete search history.

(56) **References Cited**

U.S. PATENT DOCUMENTS

D292,778 S	*	11/1987	Cilvio	D10/56
D483,281 S	*	12/2003	Cobigo	D10/104.1
D557,624 S	*	12/2007	Coster	D10/70
D560,810 S	*	1/2008	Hennessy	D24/214
D619,023 S	*	7/2010	Brooking	D10/56
D622,685 S	*	8/2010	Garra	D14/137
D736,706 S	*	8/2015	Huang	D13/108
D789,363 S	*	6/2017	Jentz	D14/388
D795,109 S	*	8/2017	Olodort	D10/104.1
D800,720 S	*	10/2017	Kim	D14/344
D802,462 S	*	11/2017	Morneau	D10/101
D811,254 S	*	2/2018	Lee	D10/101
D819,592 S	*	6/2018	Folkmann	D14/149
D831,510 S	*	10/2018	Yi	D10/56

D836,472 S	*	12/2018	Zhiyuan	D10/70
D842,136 S	*	3/2019	Jang	D10/57
D861,508 S	*	10/2019	Ejiri	D10/57
D876,247 S	*	2/2020	Hernandez	D10/52
D879,640 S	*	3/2020	Jacob	D10/118.2
D883,817 S	*	5/2020	Gong	D10/56
D896,106 S	*	9/2020	Gong	D10/56

(Continued)

FOREIGN PATENT DOCUMENTS

CN	304472014	*	1/2018
JP	D1612400	*	9/2018
KR	300984622.0000	*	12/2018

OTHER PUBLICATIONS

Find Water Leaks Leak Alert™ electronic water detector Zircon
<https://www.zircon.com/categories/water-detectors/> Aug. 12, 2020
(Year: 2020).*

(Continued)

Primary Examiner — Leanne Was-Englehart
(74) *Attorney, Agent, or Firm* — Silicon Valley Patent
Group LLP; Thomas C. Chan

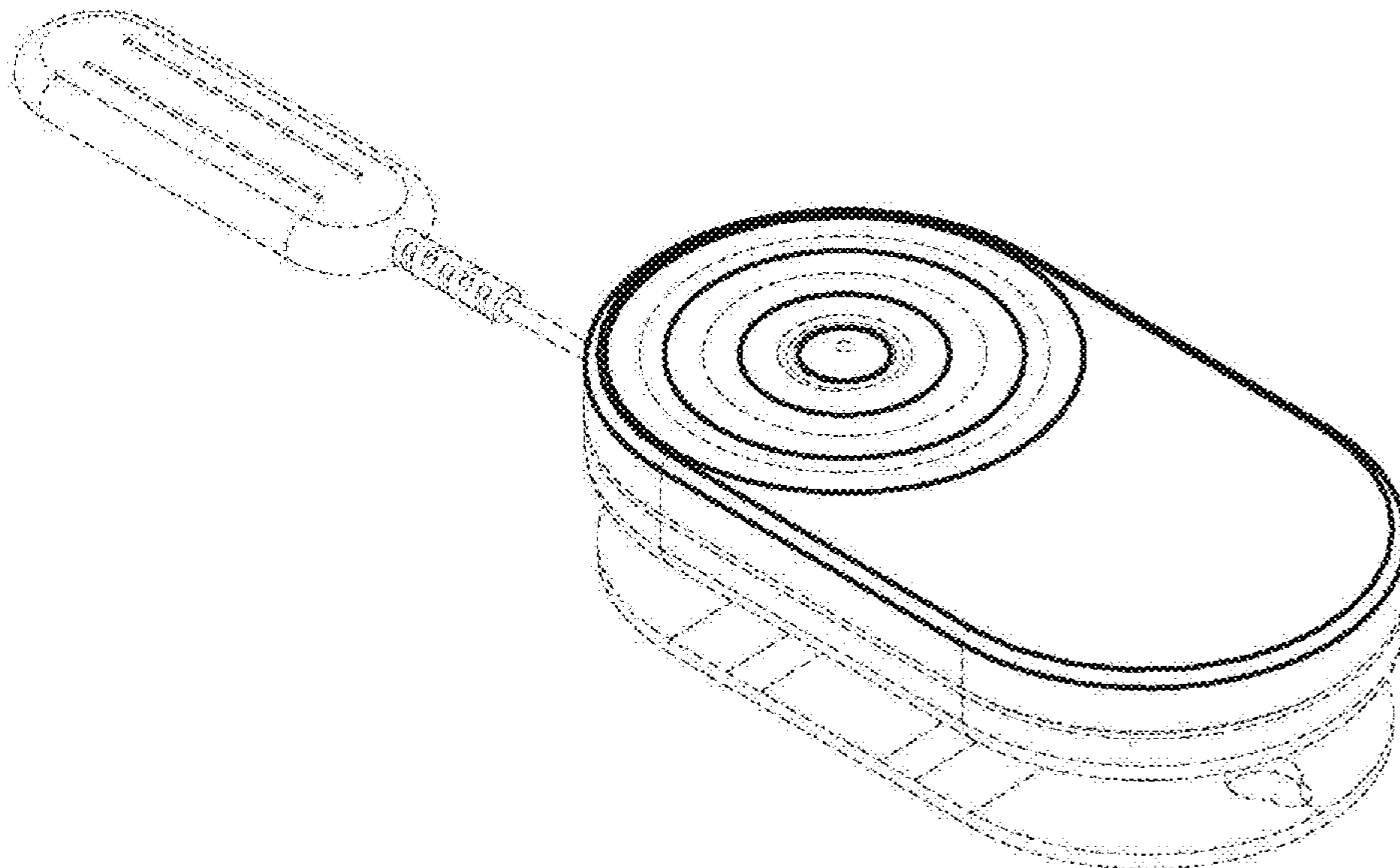
(57) **CLAIM**

The ornamental design for a tool, as described and shown.

DESCRIPTION

FIG. 1 is a perspective view of a tool according to the present invention;
FIG. 2 is a top plan view thereof;
FIG. 3 is a bottom plan view thereof;
FIG. 4 is a front elevational view thereof;
FIG. 5 is a rear elevational view thereof;
FIG. 6 is a left side plan view thereof; and,
FIG. 7 is a right side plan view thereof.
The broken lines shown in FIGS. 1-7 are environmental only and form no part of the claimed design.

1 Claim, 5 Drawing Sheets



(56)

References Cited

U.S. PATENT DOCUMENTS

D898,598 S * 10/2020 Roth D10/101
D907,001 S * 1/2021 Kim D14/171
2018/0067093 A1* 3/2018 Chen G01N 33/0036

OTHER PUBLICATIONS

IHome iSB02 Wi-Fi Dual Leak Sensor review This leak detector suffers from a flood of problems TechHive <https://www.techhive.com/article/3323001/ihome-isb02-wi-fi-dual-leak-sensor-review.html> Posted Nov. 27, 2018 (Year: 2018).*

Leak Alert™ X Software Revisions Zircon Corporation <https://www.zircon.com/2020/08/11/leak-alert-x-software-revisions/> Aug. 2020 (Year: 2020).*

Zircon Leak Alert × Smart Electronic Water Detector with 9.8' Cable Amazon <https://www.amazon.com/Zircon-Leak-Alert-Electronic-Detector/dp/B08163KDZ6> Available Nov. 7, 2019 (Year: 2019).*

* cited by examiner

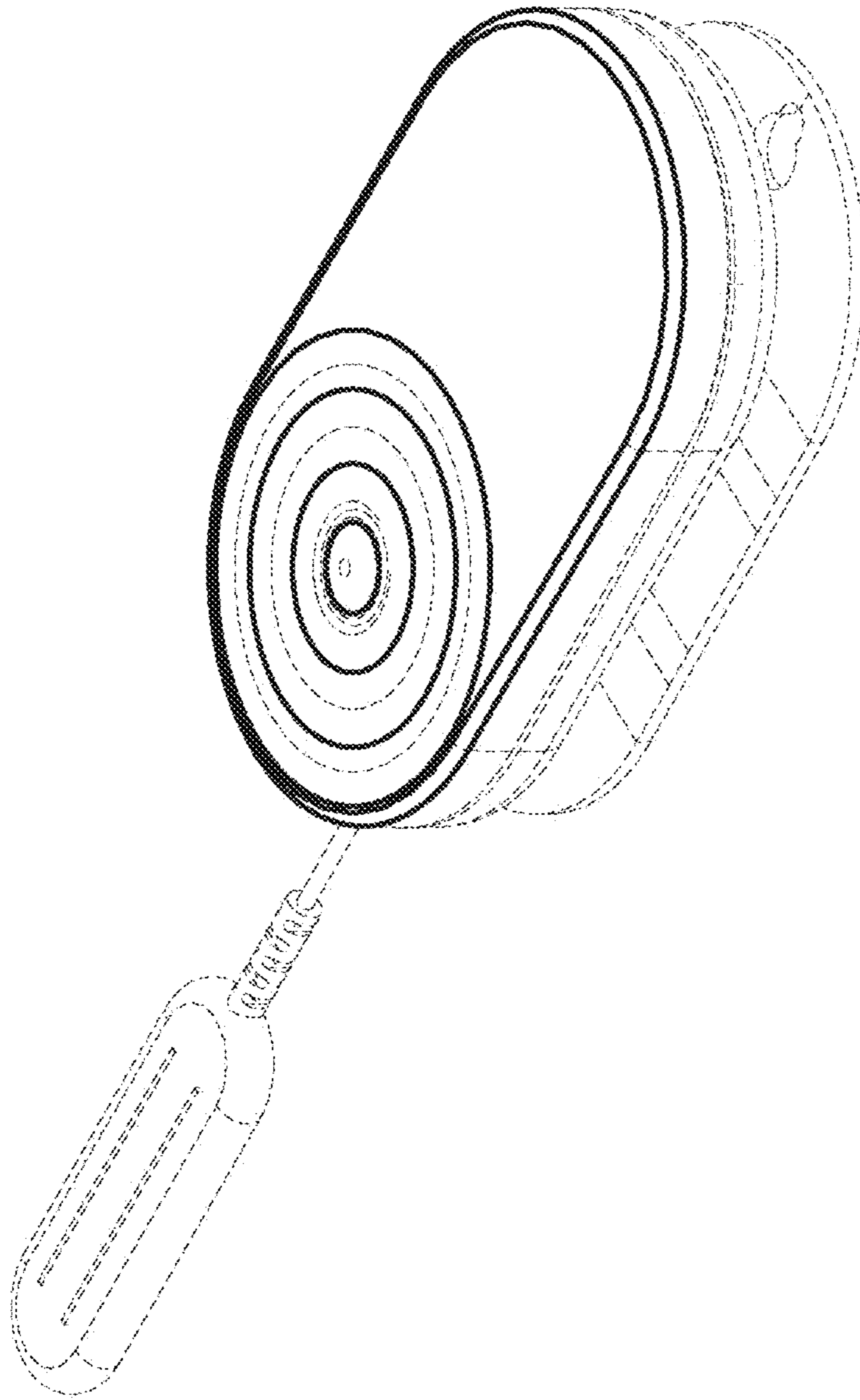


FIG. 1

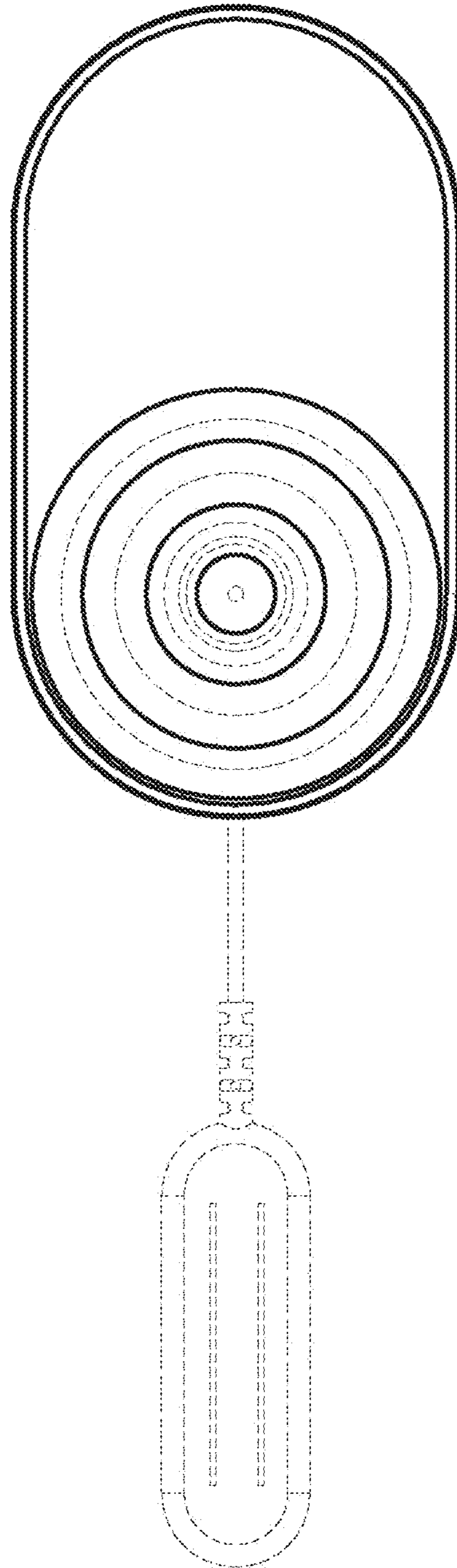


FIG. 2

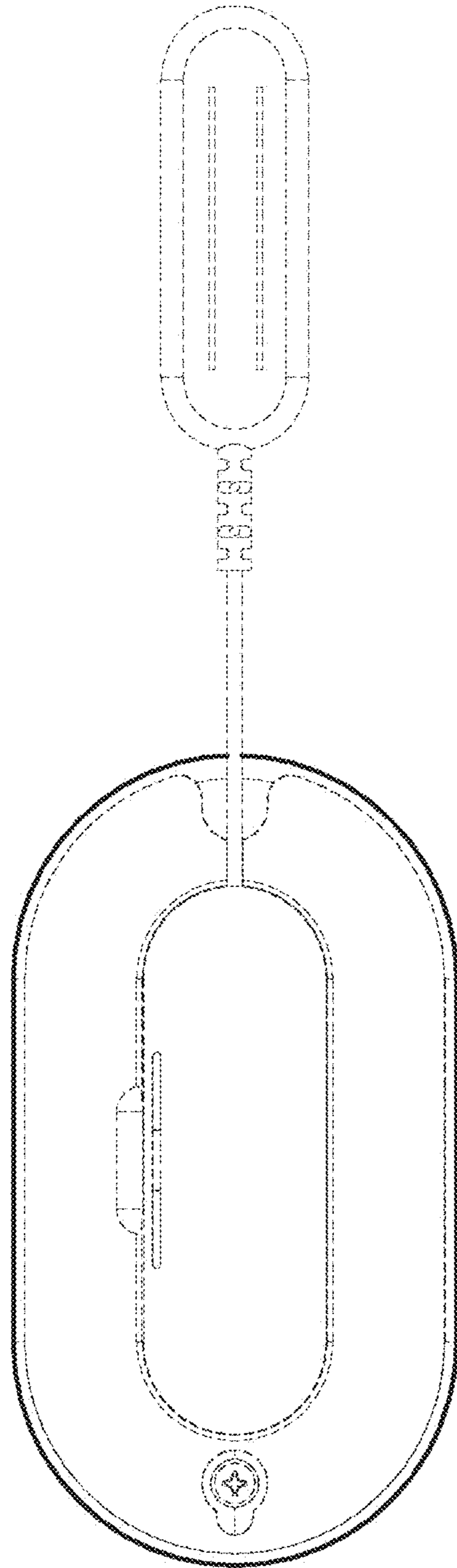


FIG. 3

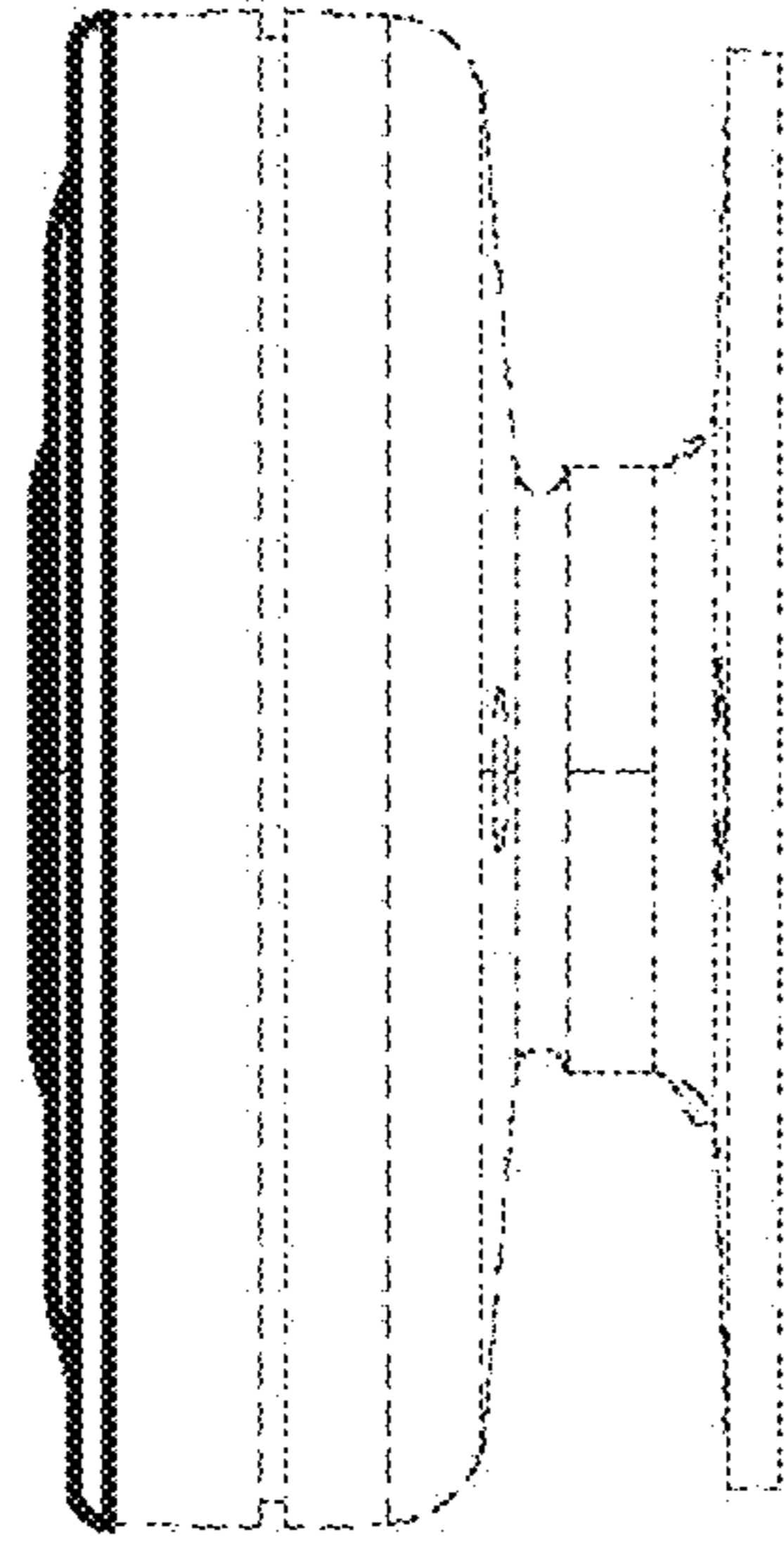


FIG. 4

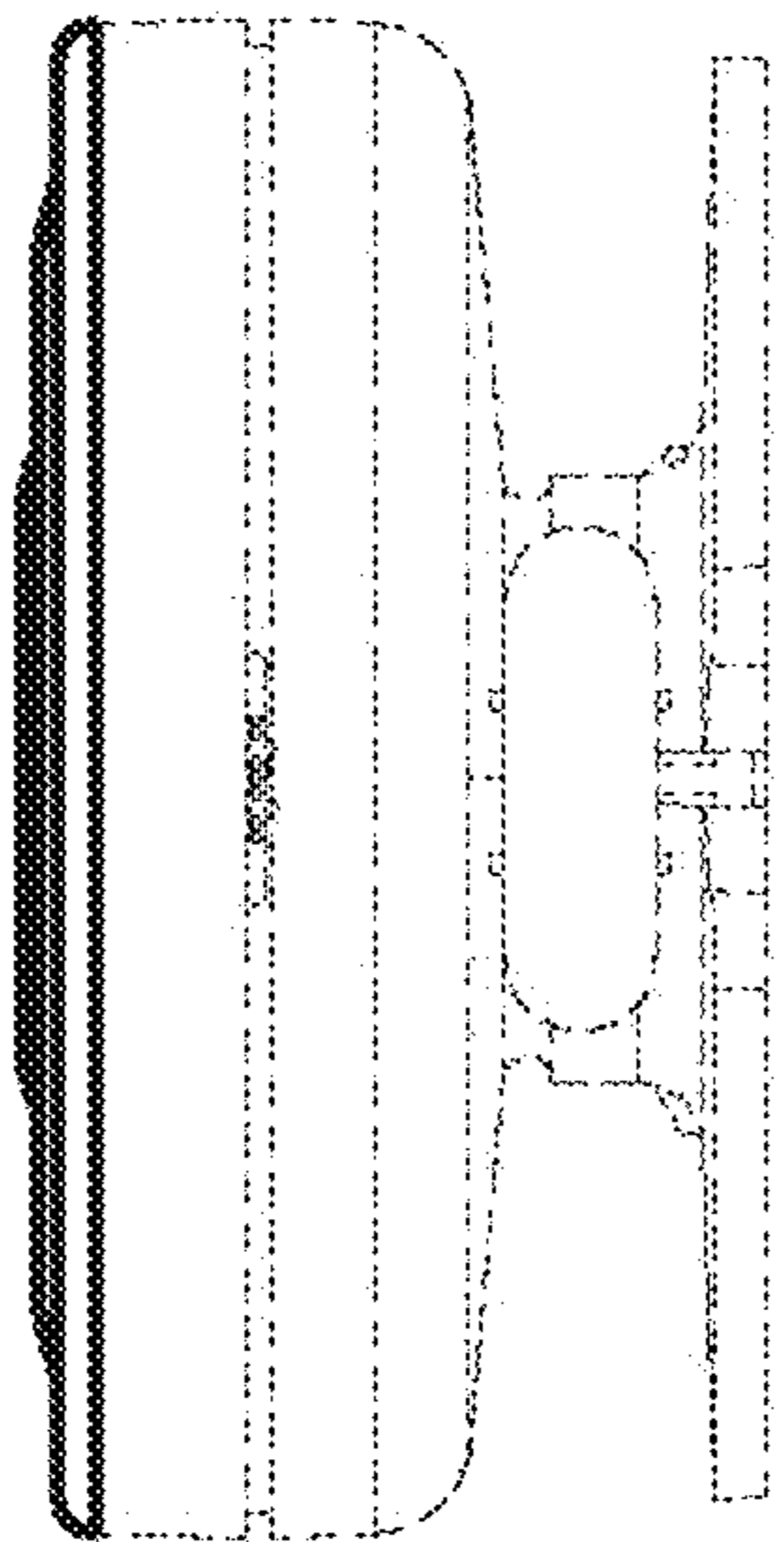


FIG. 5

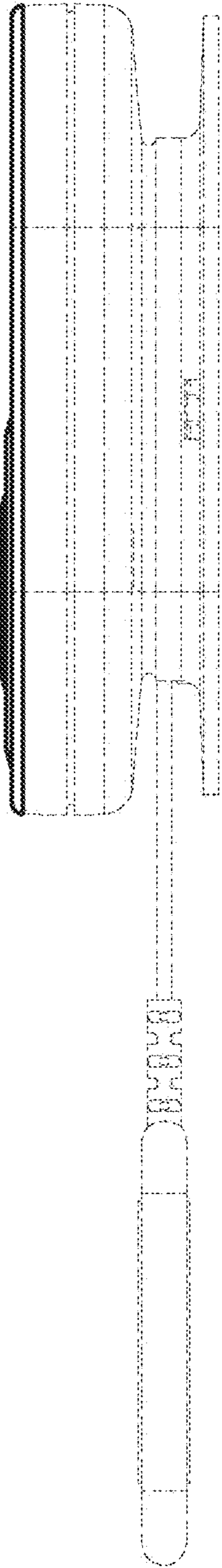


FIG. 6

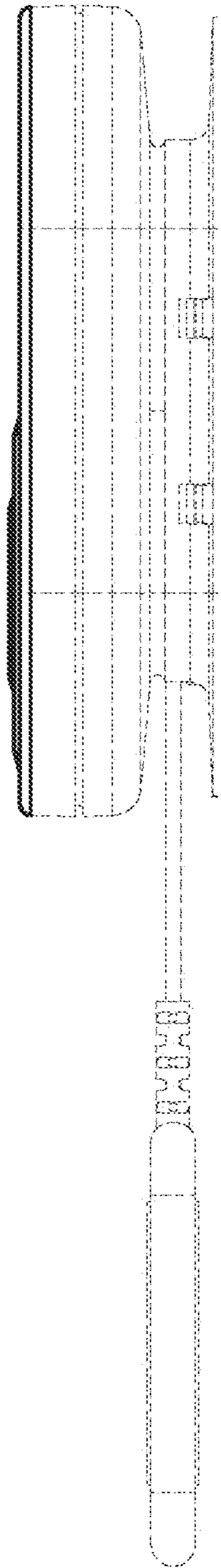


FIG. 7