



US00D938287S

(12) **United States Design Patent**  
**Wagner**

(10) **Patent No.:** **US D938,287 S**

(45) **Date of Patent:** **\*\* Dec. 14, 2021**

(54) **WRIST WATCH**

(71) Applicant: **Nordgreen ApS**, Copenhagen S (DK)

(72) Inventor: **Jakob Wagner**, Gentofte (DK)

(\*\*) Term: **15 Years**

(21) Appl. No.: **35/510,599**

(22) Filed: **Oct. 6, 2020**

(80) **Hague Agreement Data**

Int. Filing Date: **Oct. 6, 2020**

Int. Reg. No.: **DM/210756**

Int. Reg. Date: **Oct. 6, 2020**

Int. Reg. Pub. Date: **Oct. 23, 2020**

(51) **LOC (13) Cl.** ..... **10-02**

(52) **U.S. Cl.**  
USPC ..... **D10/39**

(58) **Field of Classification Search**  
USPC ..... D10/32, 39  
See application file for complete search history.

(56) **References Cited**

**U.S. PATENT DOCUMENTS**

- D309,865 S \* 8/1990 Woomer ..... D10/122
- D319,027 S \* 8/1991 Burgener ..... D10/39
- D332,055 S \* 12/1992 Gander ..... D10/39
- D353,544 S \* 12/1994 Reich ..... D10/32

- D448,311 S \* 9/2001 Sciacca ..... D10/39
- D504,624 S \* 5/2005 Bodino ..... D10/39
- D756,239 S \* 5/2016 Delhotal ..... D10/30
- D786,705 S \* 5/2017 Babcock ..... D10/38
- D803,072 S \* 11/2017 Fujimoto ..... D10/39
- D834,431 S \* 11/2018 Galli ..... D10/39
- D869,962 S \* 12/2019 Gurtner ..... D10/39
- D903,512 S \* 12/2020 Conrad ..... D10/39
- D915,910 S \* 4/2021 Rowe ..... D10/39

\* cited by examiner

*Primary Examiner* — George D. Kirschbaum

(57) **CLAIM**

The ornamental design for a wrist watch, as shown and described.

**DESCRIPTION**

The patent or application file contains at least one drawing executed in color. Copies of this patent or patent application publication with color drawing(s) will be provided by the Office upon request and payment of the necessary fee.

- 1. Wrist watch
- 1.1 : Front
- 1.2 : Bottom
- 1.3 : Left
- 1.4 : Top
- 1.5 : Perspective
- 1.6 : Back
- 1.7 : Right

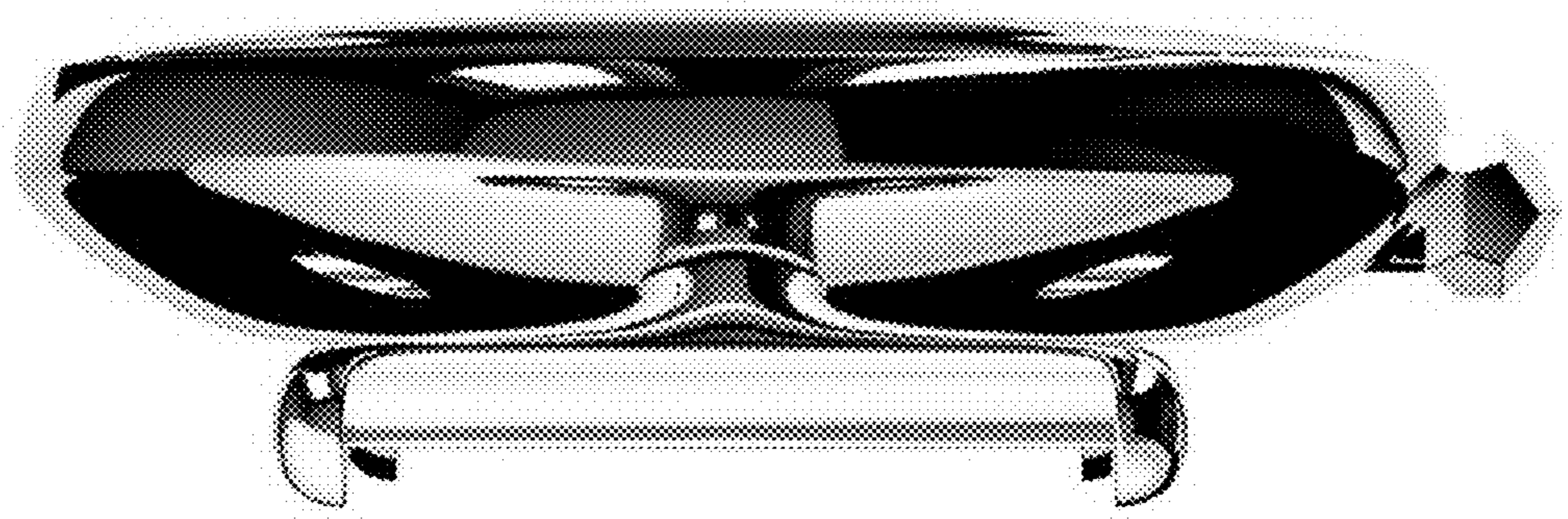
**1 Claim, 7 Drawing Sheets**  
**(7 of 7 Drawing Sheet(s) Filed in Color)**



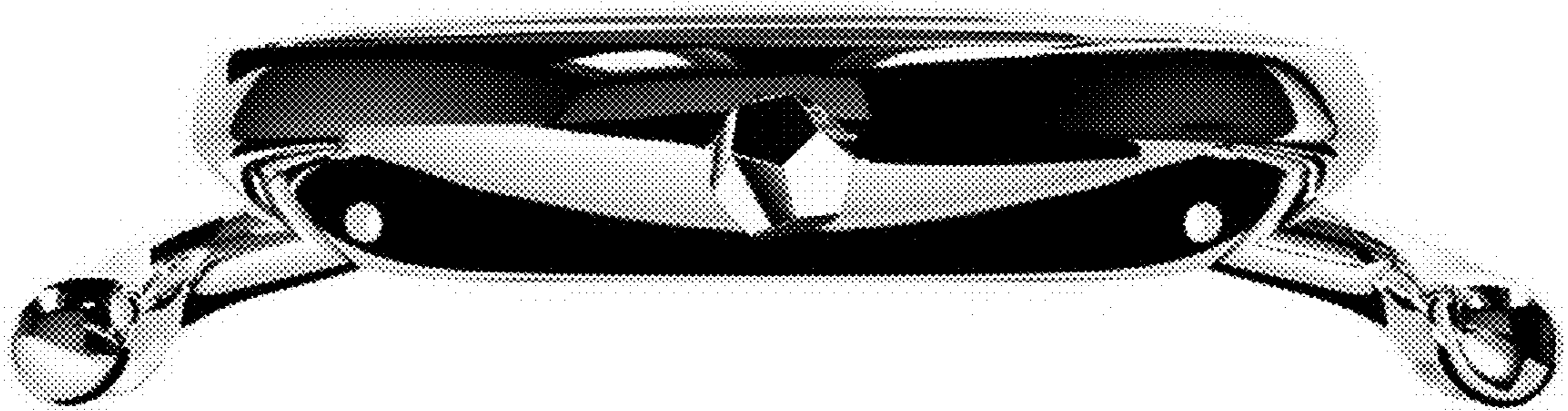
1.1



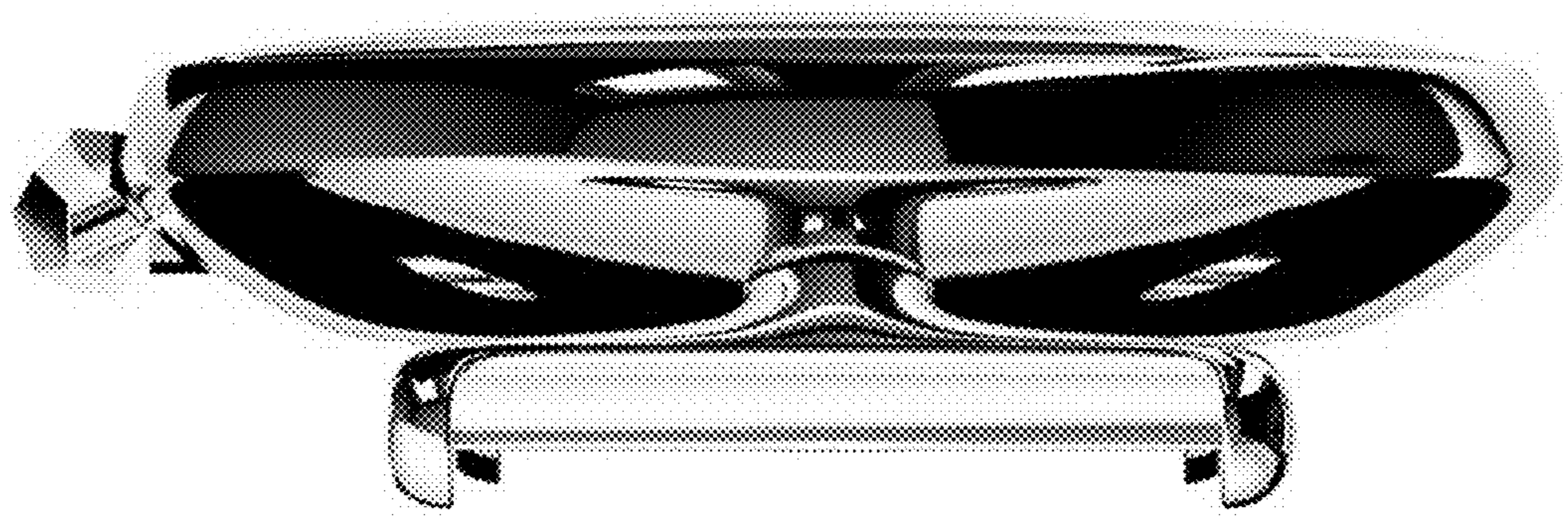
1.2



1.3



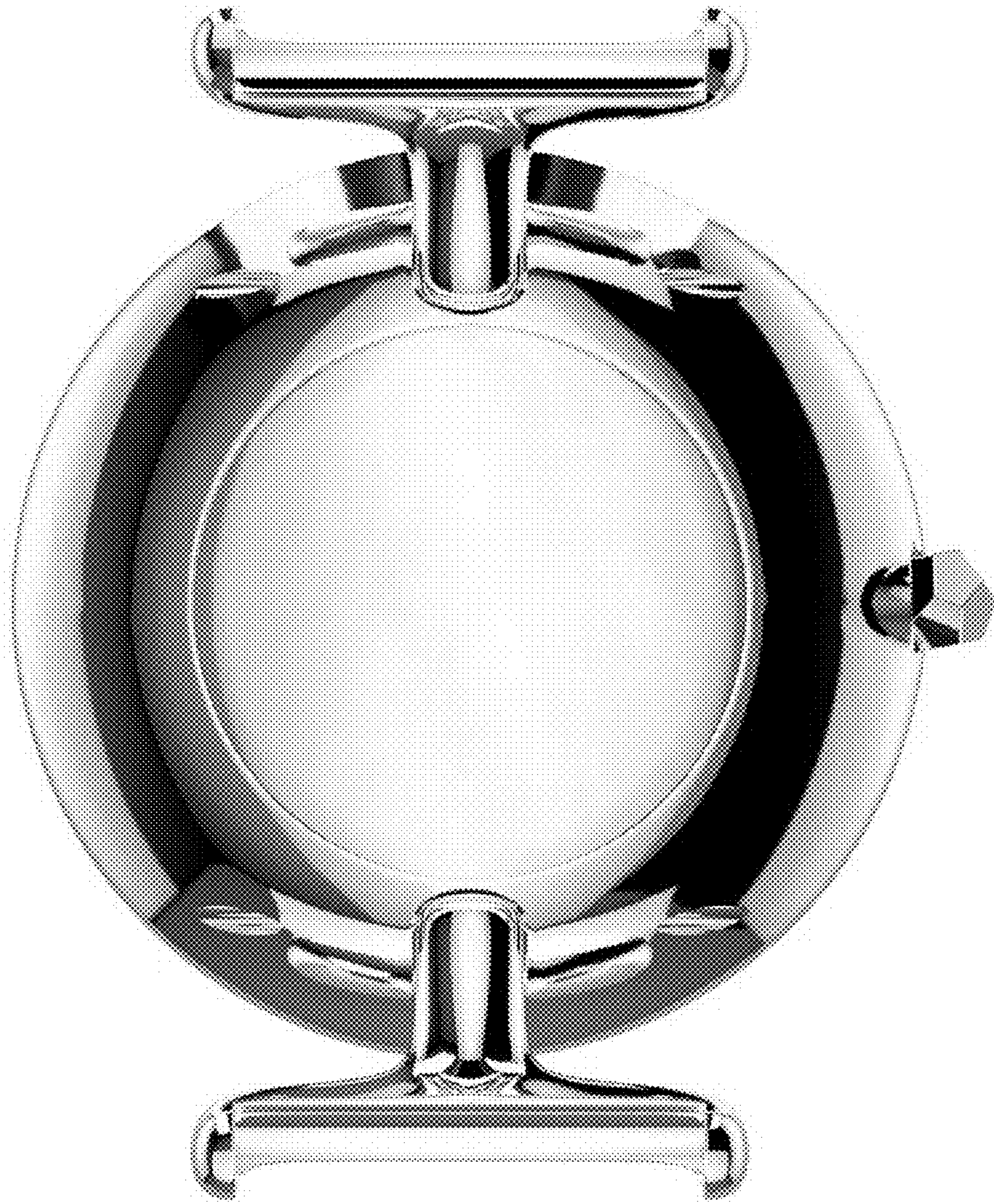
1.4



1.5



1.6



1.7

