



US00D938286S

(12) **United States Design Patent** (10) **Patent No.:** **US D938,286 S**
Bai (45) **Date of Patent:** **** Dec. 14, 2021**

(54) **ALARM CLOCK**
(71) Applicant: **SHENZHEN QIANHAI NOKLEAD TECHNOLOGY CO., LTD**, Shenzhen (CN)
(72) Inventor: **Huijian Bai**, Shenzhen (CN)
(73) Assignee: **SHENZHEN QIANHAI NOKLEAD TECHNOLOGY CO., LTD**, Shenzhen (CN)

D385,498 S * 10/1997 Mak D10/3
D386,092 S * 11/1997 Steinhagen D10/24
D467,508 S * 12/2002 Kwok D10/15
D472,480 S * 4/2003 Chung D10/57
D476,239 S * 6/2003 Hsu D10/15
D503,285 S * 3/2005 Chen D10/2
D535,306 S * 1/2007 Tokioka D14/157
D543,868 S * 6/2007 Bhavnani D10/15
D545,692 S * 7/2007 Bhavnani D10/15
D546,202 S * 7/2007 Chang D10/15
D561,611 S * 2/2008 Chu D10/15
D612,268 S 3/2010 Sadler et al.

(Continued)

(**) Term: **15 Years**

FOREIGN PATENT DOCUMENTS

(21) Appl. No.: **29/752,134**

CN 305979758 * 8/2020

(22) Filed: **Sep. 25, 2020**

OTHER PUBLICATIONS

(51) **LOC (13) Cl.** **10-01**

(52) **U.S. Cl.**
USPC **D10/15; D10/2**

(58) **Field of Classification Search**
USPC D10/1-5, 14-15, 20-21, 24-25, 27, D10/40-41, 52-53, 57; D14/170-172, D14/188, 203.7

CPC G04B 21/00; G04G 9/00; G04G 13/00; G04G 13/02; G04G 13/028; G04G 17/00; G04G 17/005; G04G 17/08; G04G 21/00; G04G 21/08

See application file for complete search history.

LIORQUE Digital Mini Travel Alarm Clock | amazon.com; date first available Jul. 23, 2020 [online], © 1996-2021, Amazon.com, Inc [retrieved May 28, 2021] from Internet: <https://www.amazon.co.uk/LIORQUE-Digital-Temperature-Backlight-Function/dp/B08D395LFN> (Year: 2020).*

Primary Examiner — Katherine Glennon

(57) **CLAIM**

The ornamental design for an alarm clock, as shown and described.

DESCRIPTION

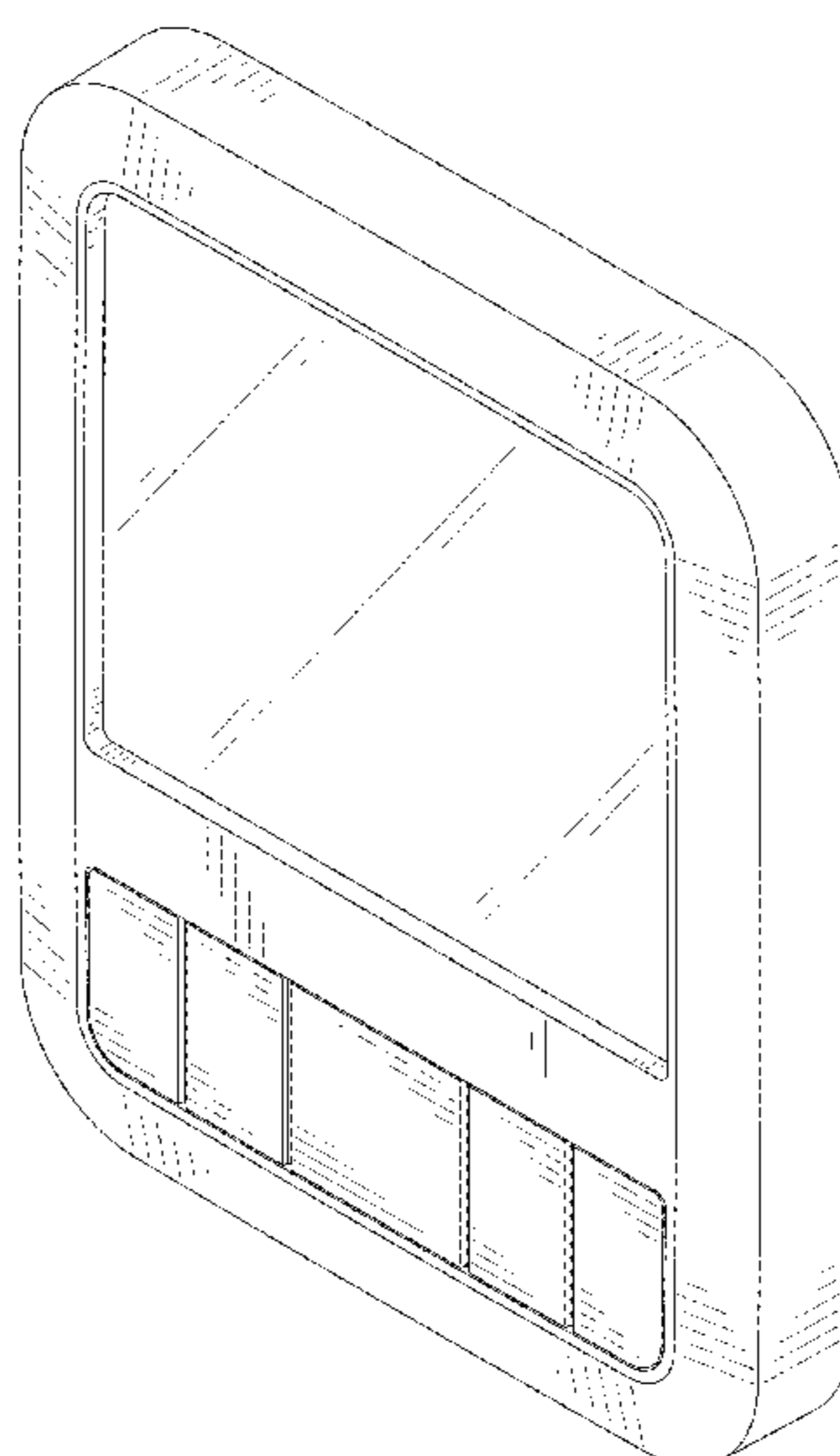
FIG. 1 is a perspective view of an alarm clock showing my new design;
FIG. 2 is another perspective view thereof;
FIG. 3 is a front elevational view thereof;
FIG. 4 is a rear elevational view thereof;
FIG. 5 is a left side elevational view thereof;
FIG. 6 is a right side elevational view thereof;
FIG. 7 is a top plan view thereof; and,
FIG. 8 is a bottom plan view thereof.

1 Claim, 8 Drawing Sheets

(56) **References Cited**

U.S. PATENT DOCUMENTS

4,424,967 A * 1/1984 Yokoi A63F 9/24 463/29
D275,082 S * 8/1984 Goodin D10/15
4,504,062 A * 3/1985 Smith, III H04N 3/127 348/E3.015
D283,403 S * 4/1986 Chan D10/15
D298,416 S * 11/1988 Rakocy D10/40
D312,971 S * 12/1990 Takashima D10/10
D323,621 S * 2/1992 Wada D10/15
D364,850 S * 12/1995 Estrada D10/65



(56)

References Cited

U.S. PATENT DOCUMENTS

| | | | |
|-------------------|---------|----------------------|---------------------------|
| D627,332 S * | 11/2010 | Zha | D14/203.7 |
| D632,981 S * | 2/2011 | Shih | D10/40 |
| D691,055 S * | 10/2013 | Dalton | D10/40 |
| D750,621 S * | 3/2016 | Loor Canizares | D14/341 |
| D780,603 S * | 3/2017 | Chism | D10/40 |
| D782,977 S * | 4/2017 | Zhang | D13/108 |
| D842,129 S | 3/2019 | Yang | |
| D845,149 S | 4/2019 | Yu | |
| D863,990 S * | 10/2019 | Hu | D10/52 |
| 2008/0062631 A1 * | 3/2008 | Bhavnani | G04G 17/086 361/679.22 |

* cited by examiner

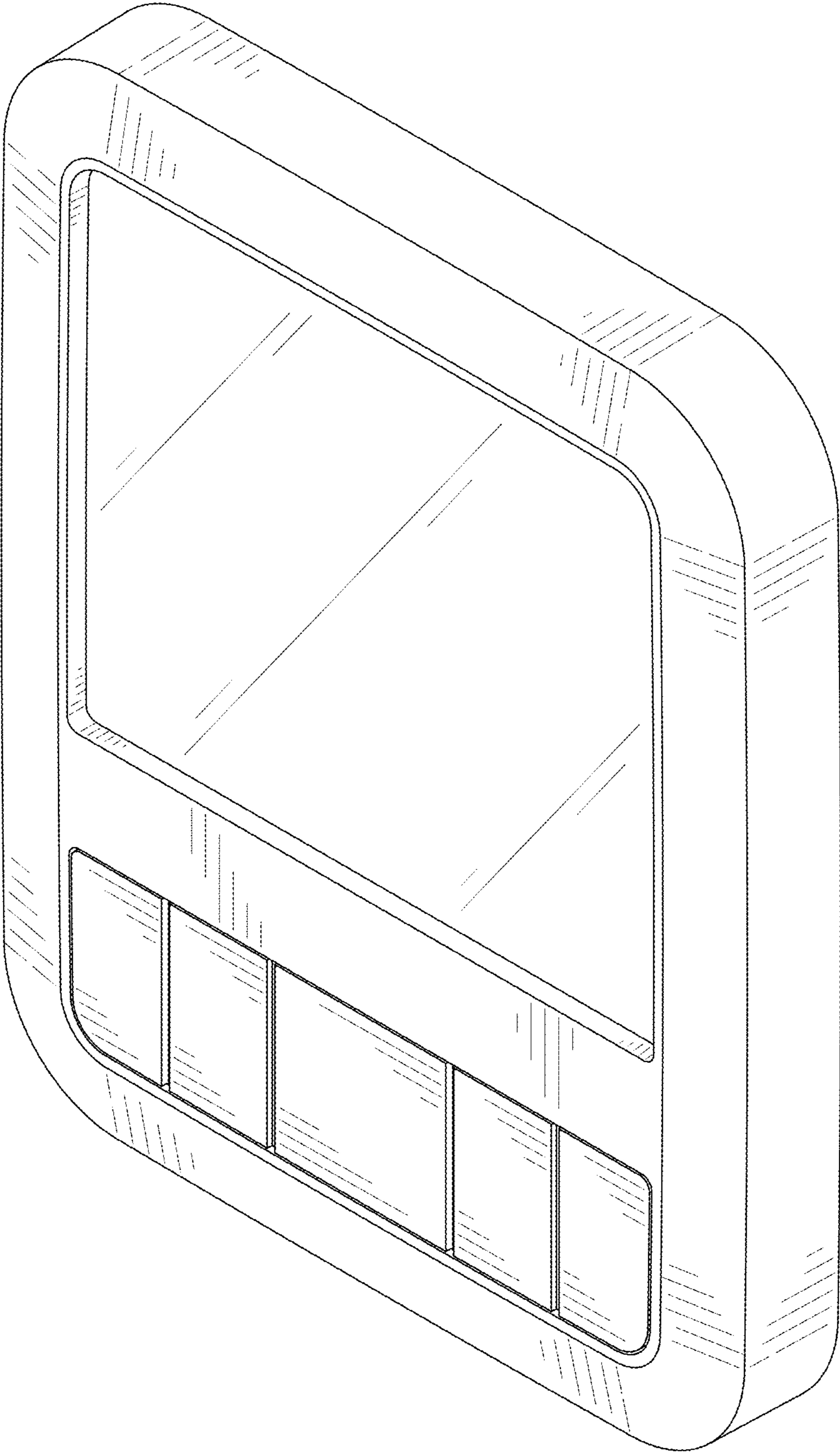


FIG. 1

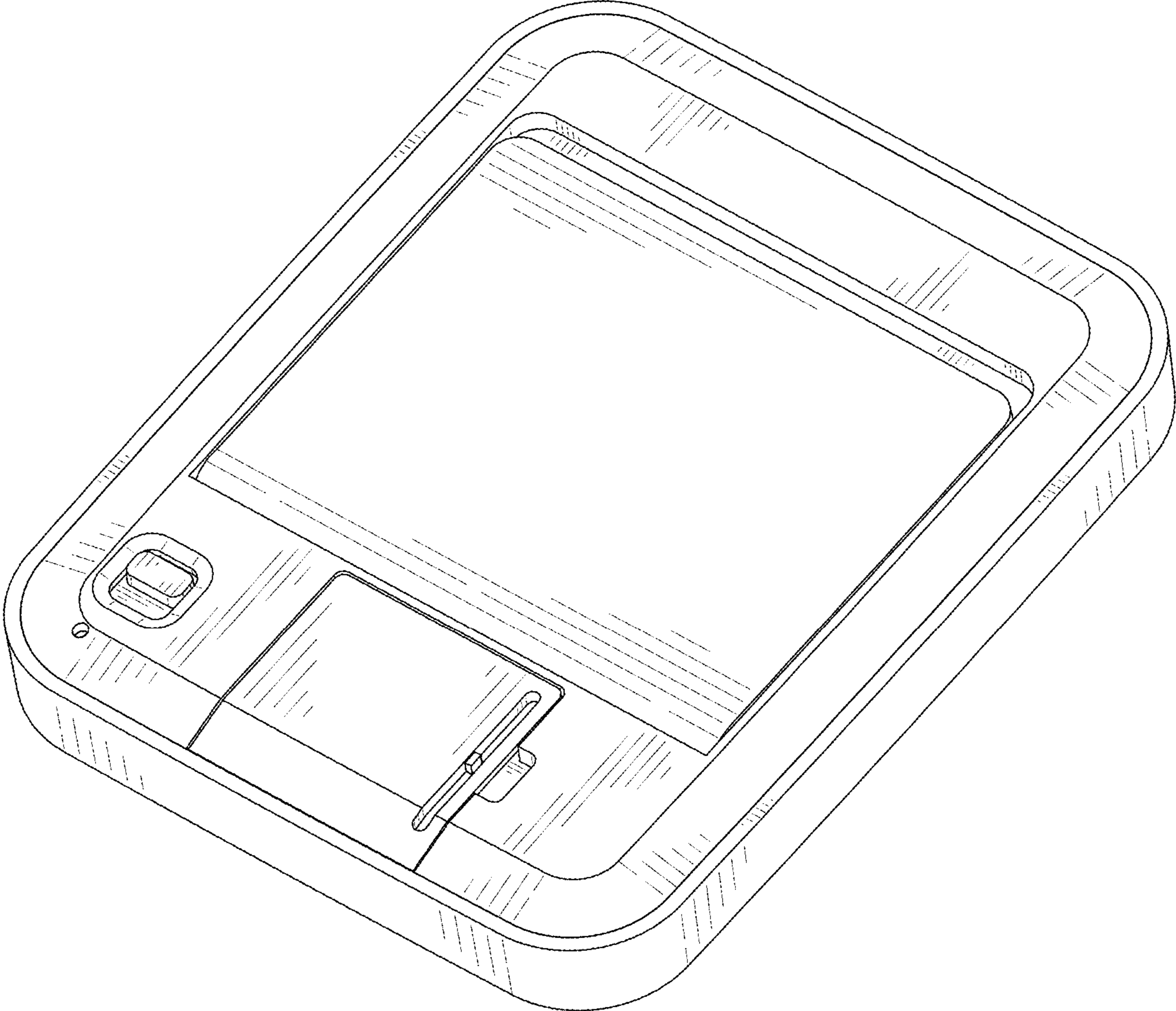


FIG. 2

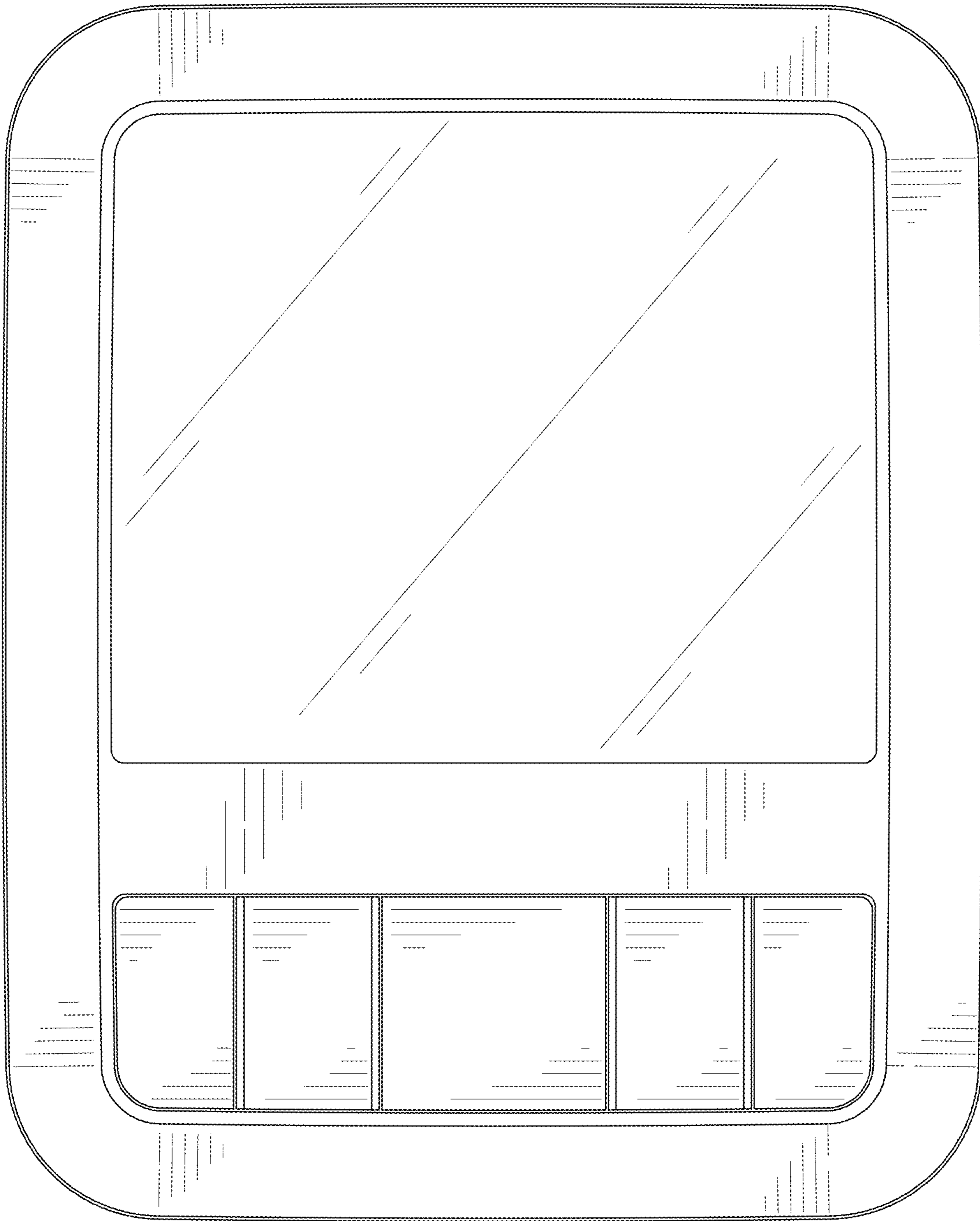


FIG. 3

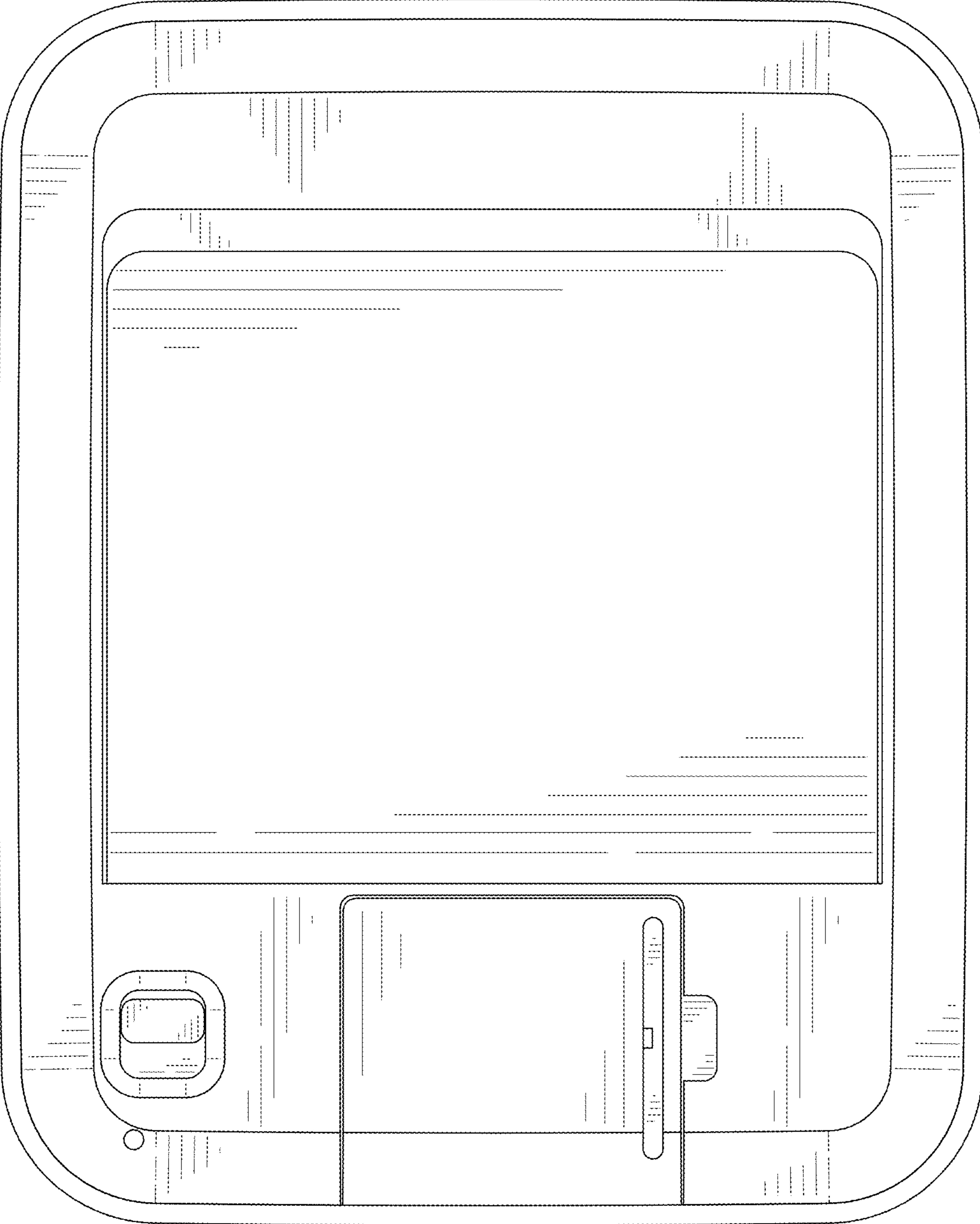


FIG. 4

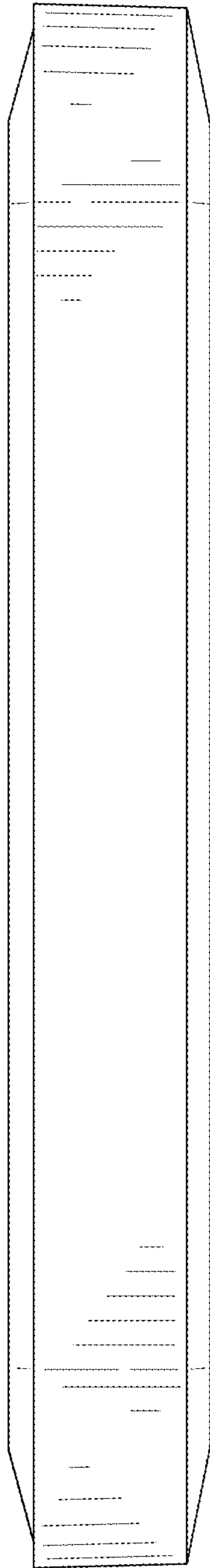


FIG. 5

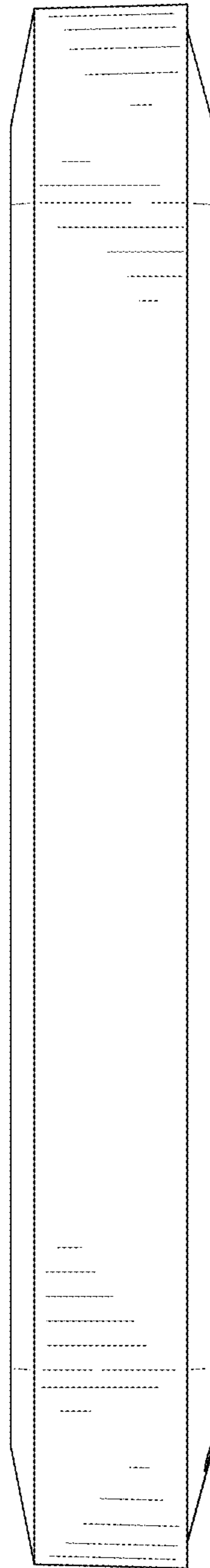


FIG. 6

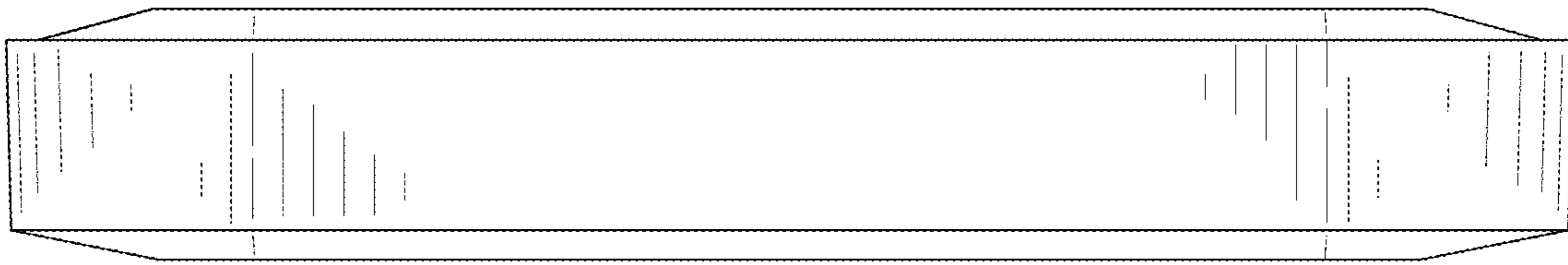


FIG. 7

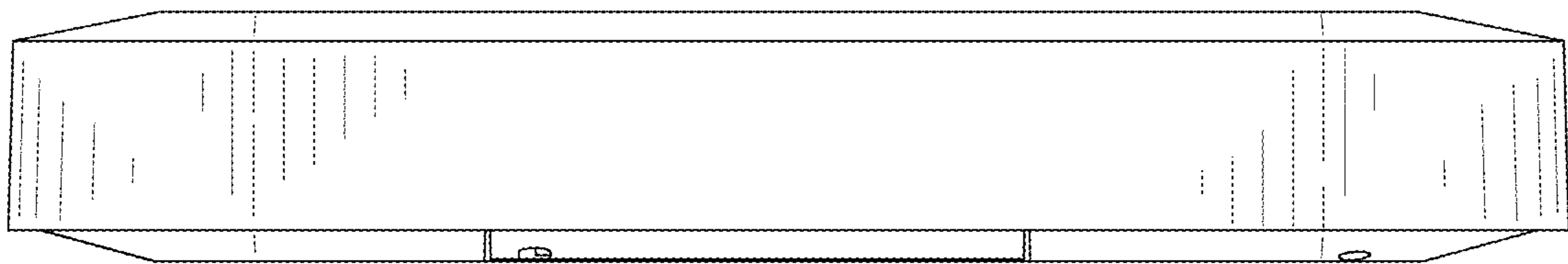


FIG. 8