



US00D938284S

(12) **United States Design Patent** (10) **Patent No.:** **US D938,284 S**
Kurker (45) **Date of Patent:** **** Dec. 14, 2021**

- (54) **TISSUE BOX WITH PERFORATED REMOVEABLE PORTION**
- (71) Applicant: **George Khoury Kurker**, Falmouth, MA (US)
- (72) Inventor: **George Khoury Kurker**, Falmouth, MA (US)
- (**) Term: **15 Years**
- (21) Appl. No.: **29/788,402**
- (22) Filed: **May 17, 2021**

Related U.S. Application Data

- (62) Division of application No. 29/711,476, filed on Oct. 31, 2019, now Pat. No. Des. 922,211.
- (51) **LOC (13) Cl.** **09-01**
- (52) **U.S. Cl.**
USPC **D9/734**
- (58) **Field of Classification Search**
USPC D9/414, 416, 432, 433, 730, 734;
D6/515, 518, 519, 521, 522, 523;
D7/601, 602, 631
CPC B65D 85/00; B65D 81/00; B65D 81/22;
B65D 83/0805; A47K 2010/3266; A47K
10/42; A47K 10/426; G07F 11/00
See application file for complete search history.

References Cited

U.S. PATENT DOCUMENTS

- 2,915,218 A * 12/1959 Rosenman B65D 5/5011
221/102
- 6,349,849 B1 * 2/2002 Pehr A47K 10/421
221/33
- D514,437 S * 2/2006 Kim D9/416
- D514,928 S * 2/2006 Keberlein 206/233

- 7,040,502 B2 * 5/2006 Phelps A47K 10/421
221/34
- D847,660 S * 5/2019 Schumaker D9/734
- D922,211 S * 6/2021 Kurker D9/734
- 2004/0245266 A1 * 12/2004 Mitchell B65D 75/566
221/33
- 2008/0223867 A1 * 9/2008 Carr A47K 10/421
221/34
- 2010/0029456 A1 * 2/2010 Cheich B31D 5/0043
493/464
- 2013/0228589 A1 * 9/2013 Nickerson A47K 10/46
221/102
- 2015/0191296 A1 * 7/2015 Umentum B65D 83/0805
221/1
- 2016/0152403 A1 * 6/2016 Ray B65D 83/0894
221/1
- 2016/0244241 A1 * 8/2016 Hirata A47K 10/32
- 2016/0262582 A1 * 9/2016 Henige B65D 83/0888
- 2017/0158414 A1 * 6/2017 Takahashi B31B 50/81
- 2018/0037397 A1 * 2/2018 Saito B65D 83/0888

* cited by examiner

Primary Examiner — Lauren R Calve

(74) *Attorney, Agent, or Firm* — Dunlap Bennett & Ludwig, PLLC; Brendan E. Squire

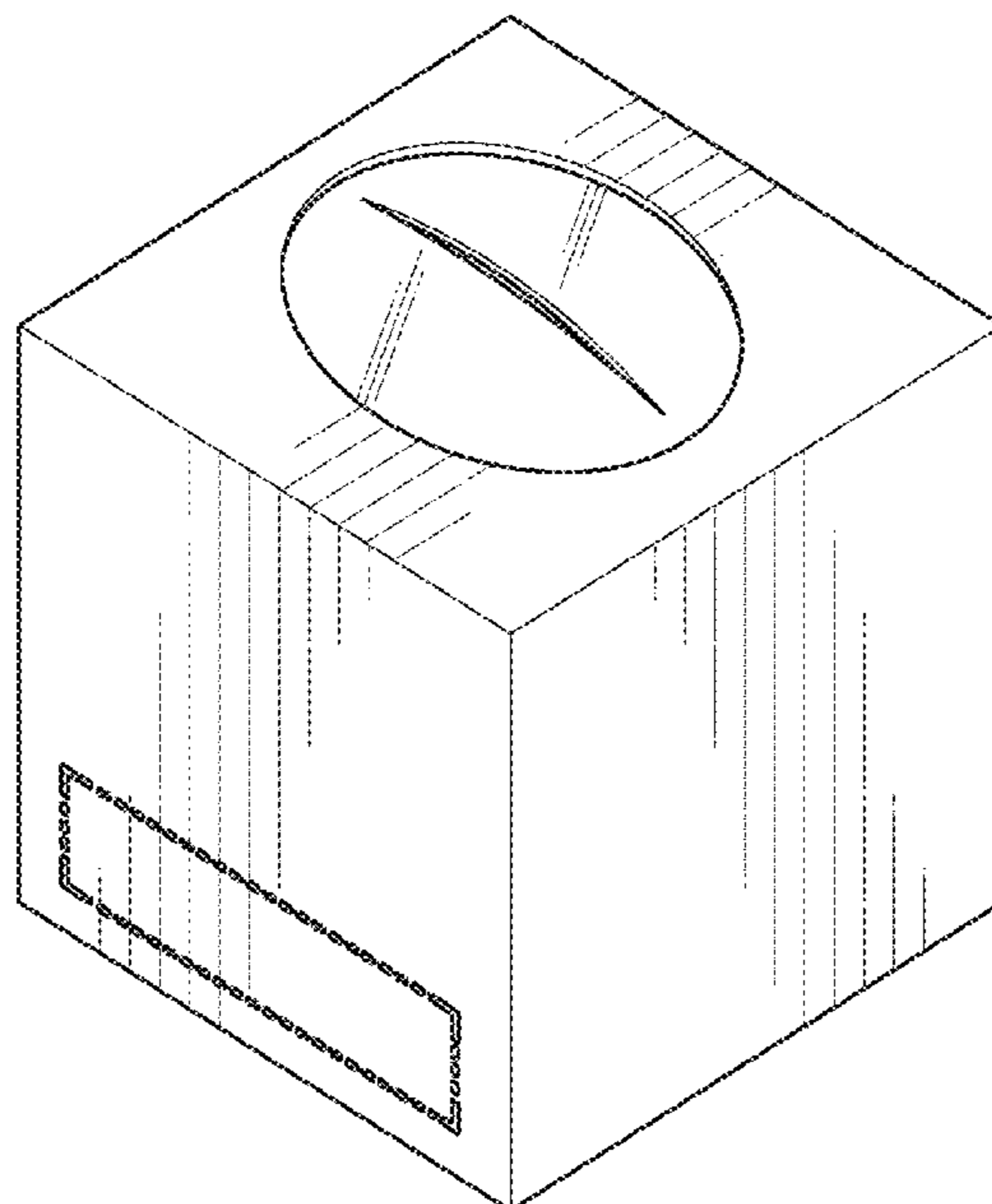
(57) **CLAIM**

The ornamental design for a tissue box with perforated removeable portion, as shown and described.

DESCRIPTION

FIG. 1 is a perspective view of a tissue box with perforated removeable portion;
FIG. 2 is a front elevation view thereof;
FIG. 3 is a rear elevation view thereof;
FIG. 4 is a right side elevation view thereof;
FIG. 5 is a left side elevation view thereof;
FIG. 6 is a top plan view thereof; and,
FIG. 7 is a bottom plan view thereof.

1 Claim, 4 Drawing Sheets



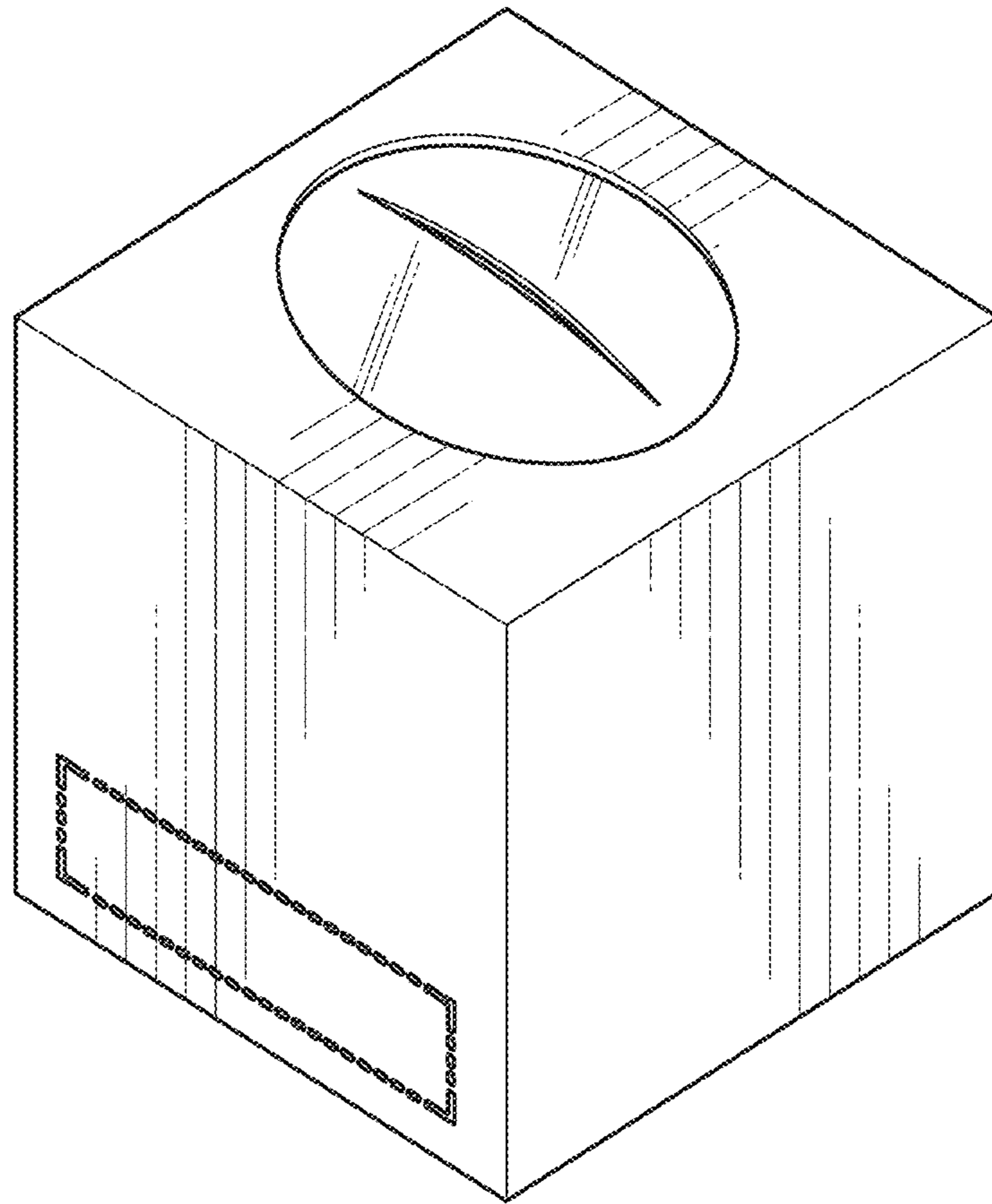


FIG. 1

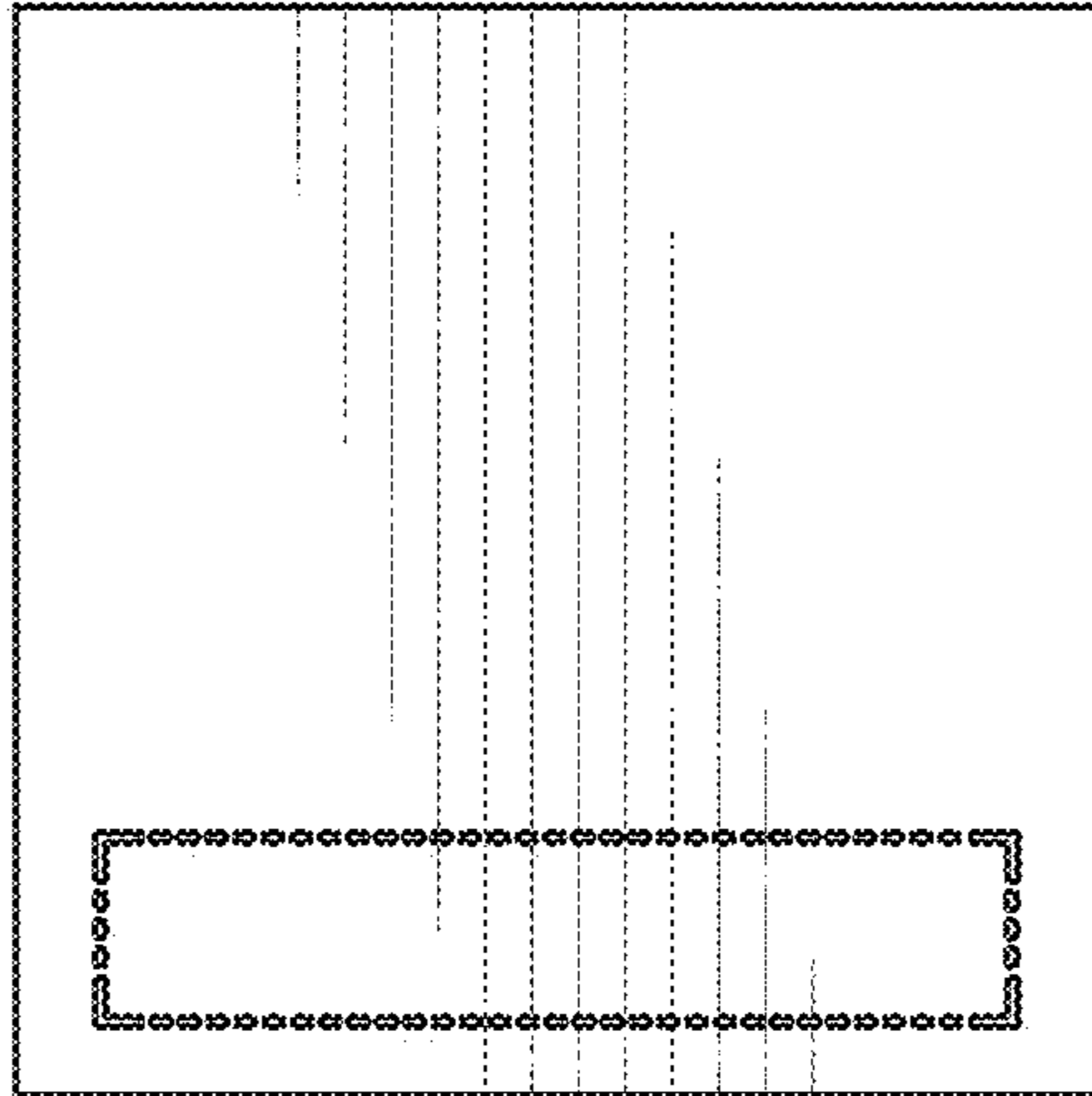


FIG. 2

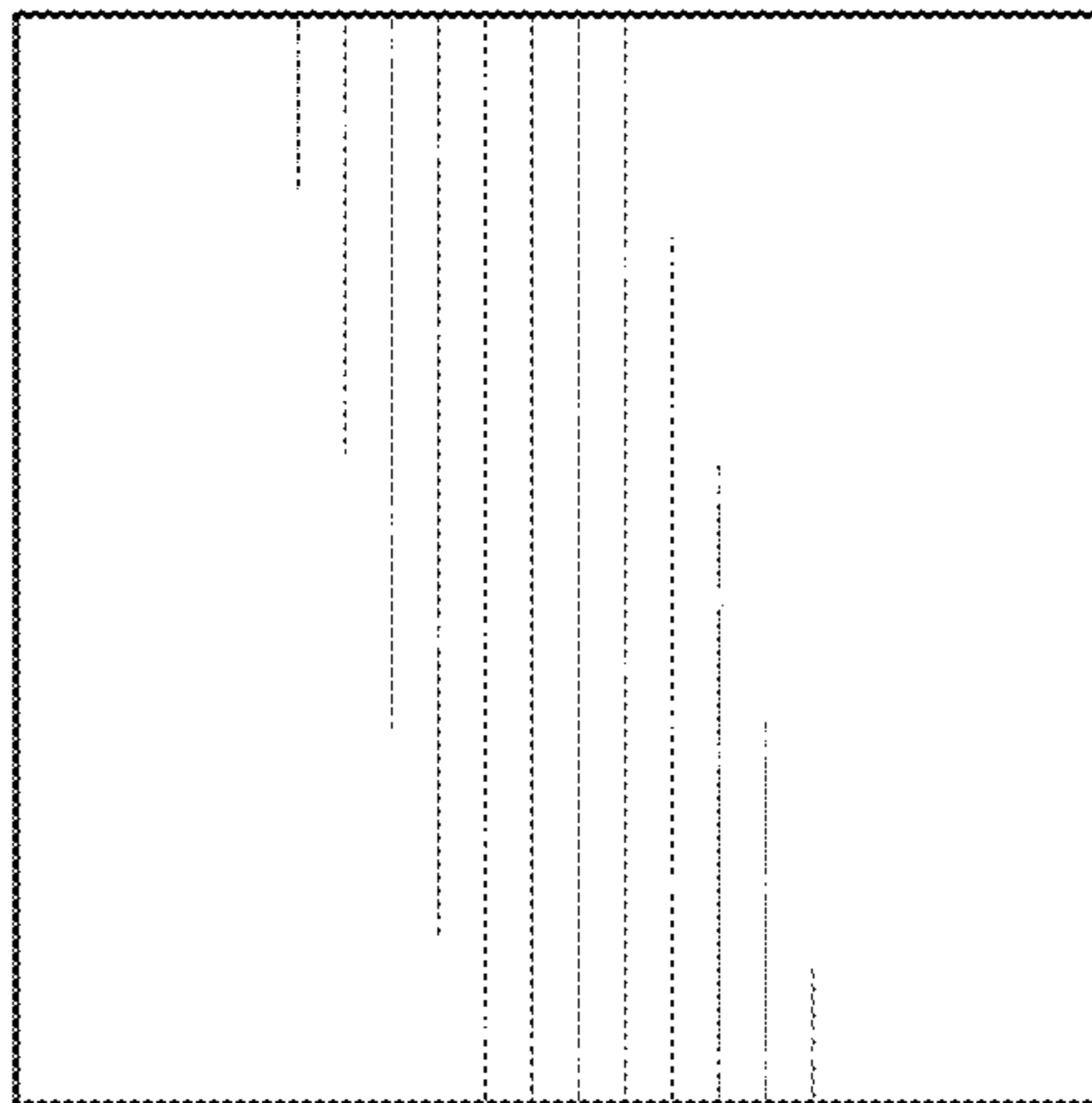


FIG. 3

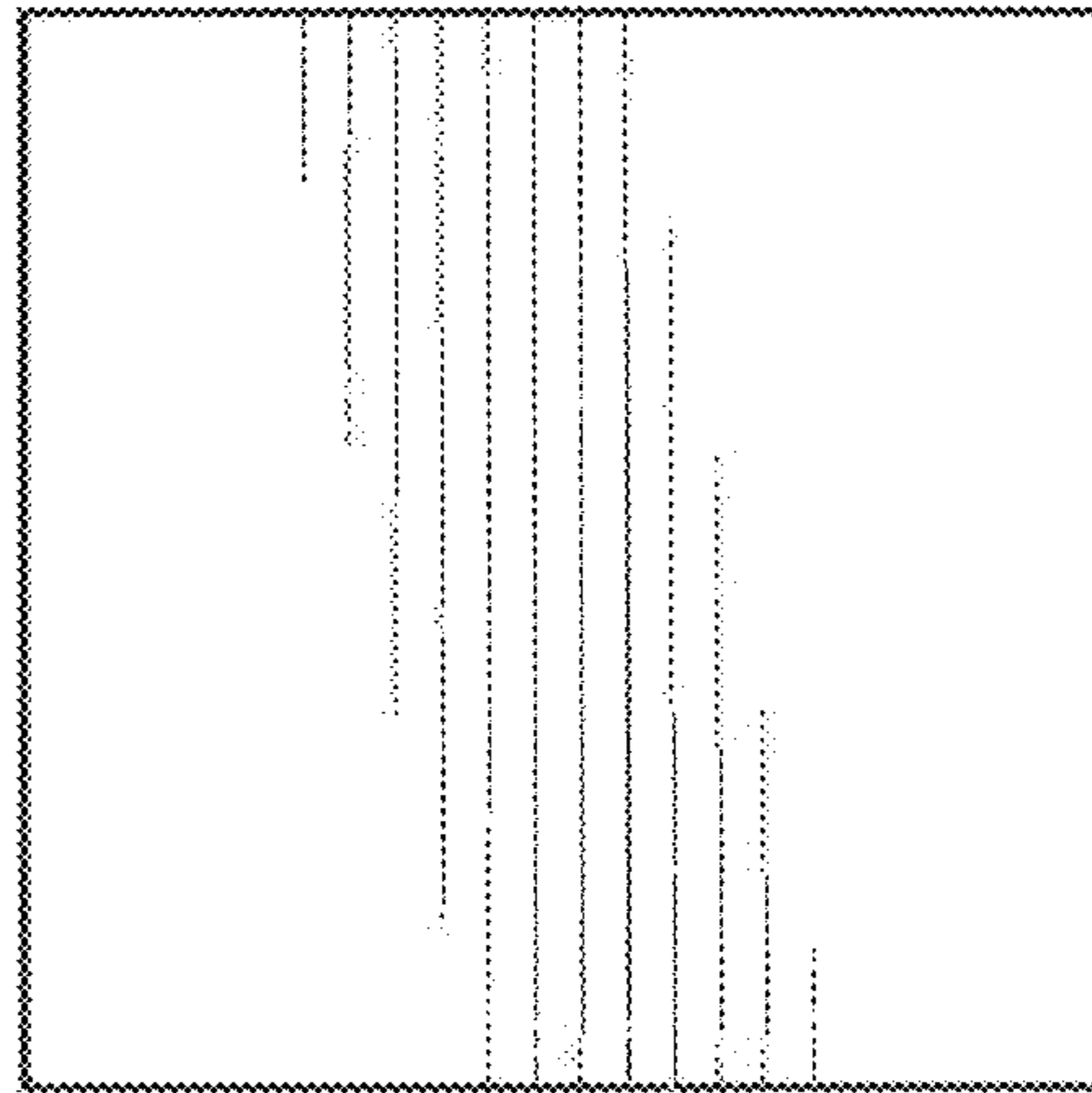


FIG. 4

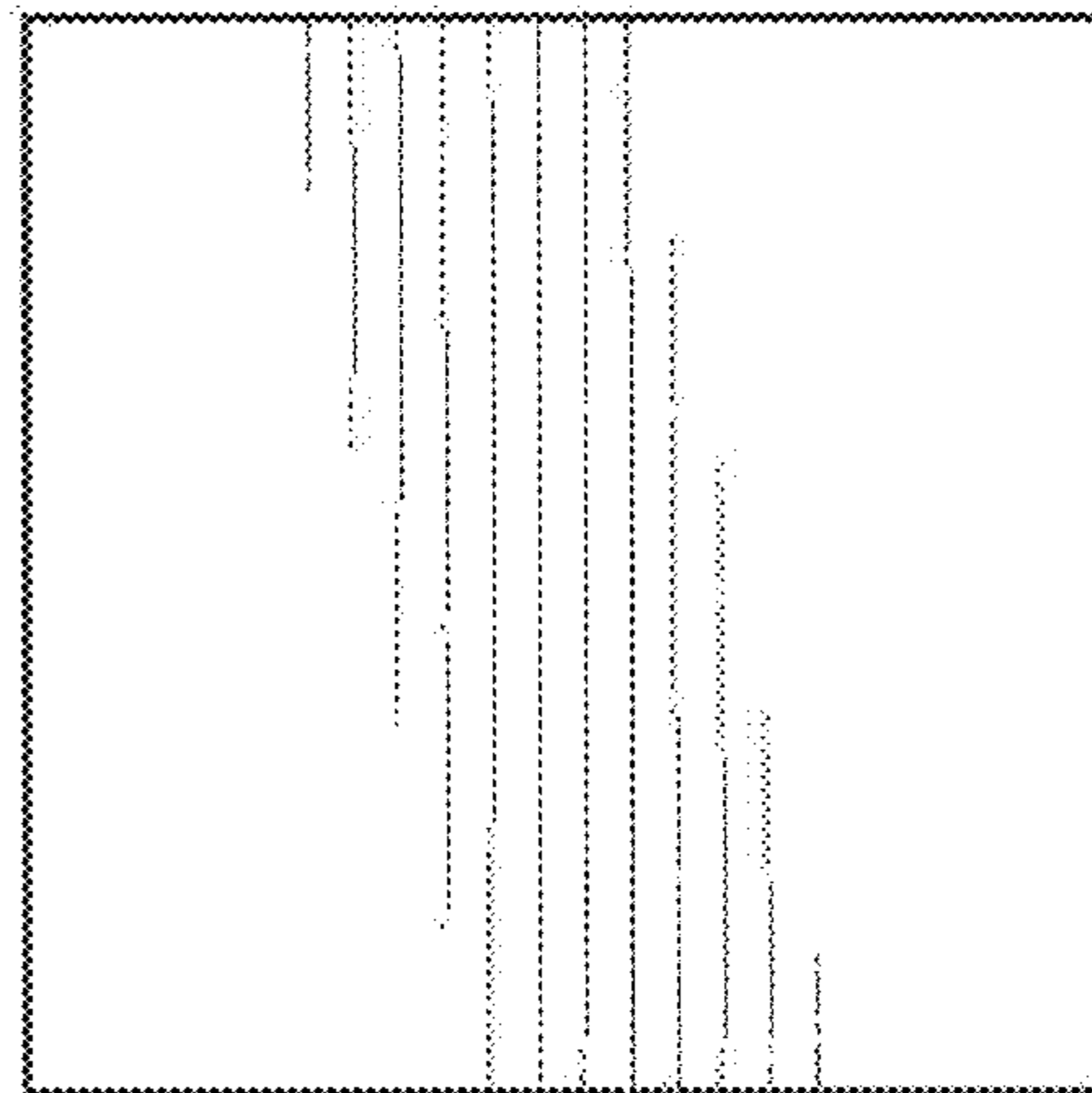


FIG. 5

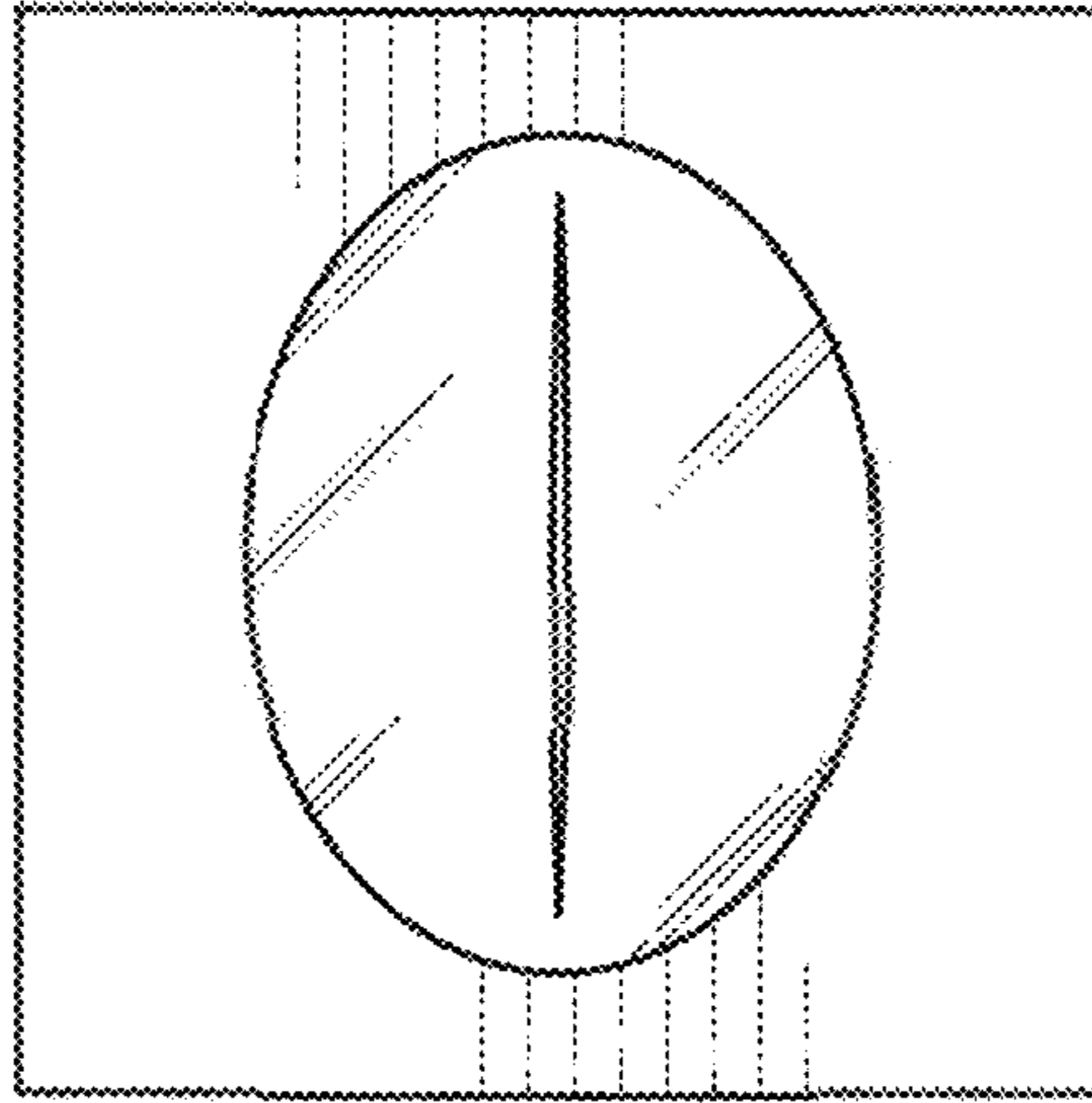


FIG. 6

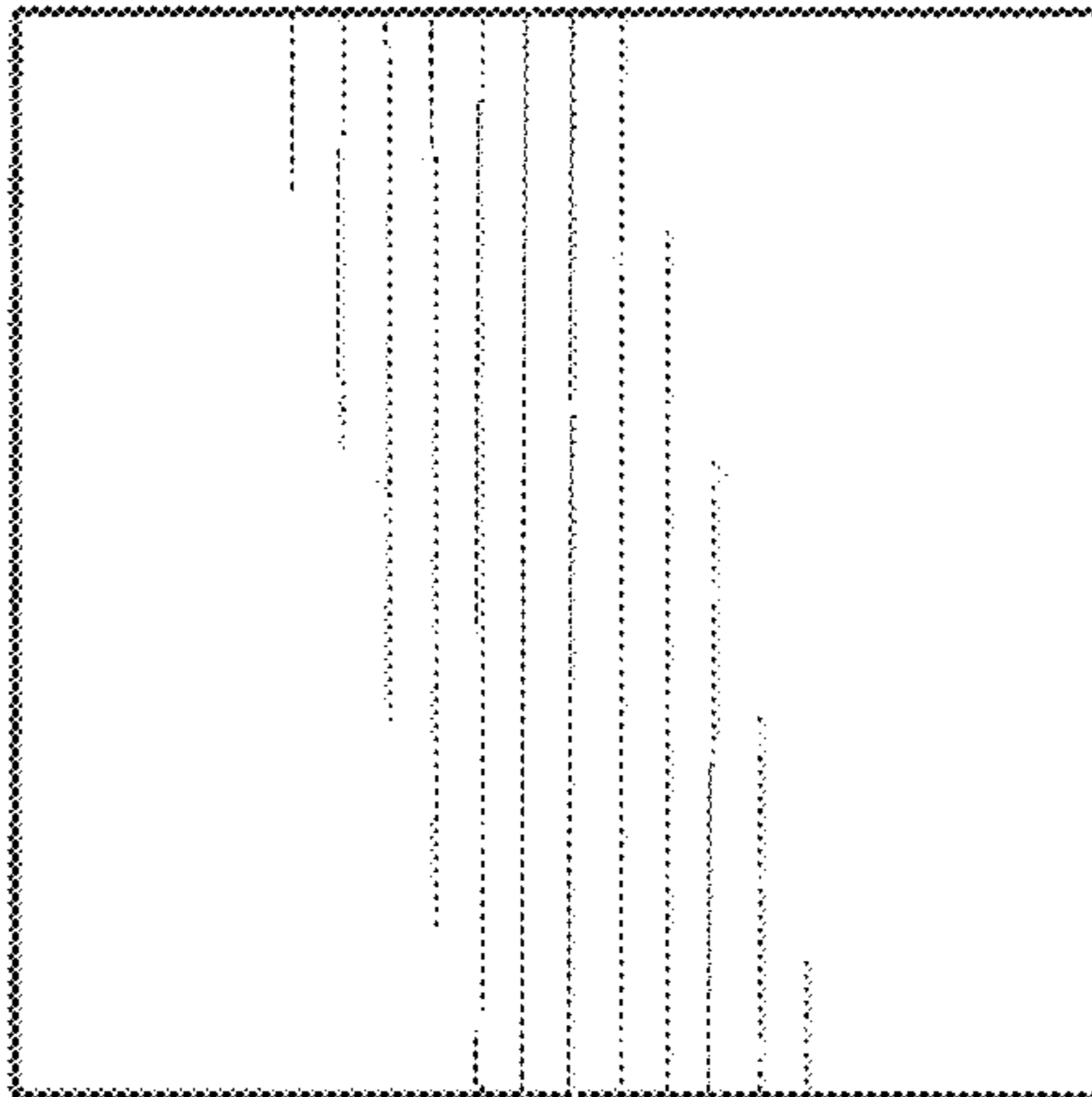


FIG. 7