



US00D938282S

(12) **United States Design Patent** (10) **Patent No.:** **US D938,282 S**
Scott (45) **Date of Patent:** **** Dec. 14, 2021**

(54) **DISPENSING BOTTLE WITH RETRACTABLE HEAD**
(71) Applicant: **ST&T International, Inc.**, Zephyr Cove, NV (US)
(72) Inventor: **Michael Scott**, Zephyr Cove, NV (US)
(73) Assignee: **ST&T International, Inc.**, Zephyr Cove, NV (US)
(**) Term: **15 Years**
(21) Appl. No.: **29/691,838**
(22) Filed: **May 20, 2019**
(51) **LOC (13) Cl.** **09-01**
(52) **U.S. Cl.**
USPC **D9/689**
(58) **Field of Classification Search**
USPC D9/501, 503, 504, 505, 682, 684, 686, D9/688-692, 537-540, 545, 719, D9/738-741, 745-747, 723-729; D28/76, 77, 86, 88, 89, 91.1
CPC .. B05B 11/00-3098; B65D 83/14-759; A45D 34/00; A45D 34/02; A45D 34/04; A45D 34/06; A45D 2034/002; A45D 2034/005; A45D 2034/007; A45D 2200/054-058; A45D 40/00; A45D 40/26
See application file for complete search history.

(56) **References Cited**
U.S. PATENT DOCUMENTS
D114,442 S * 4/1939 Dexter D28/88
D139,381 S * 11/1944 Harris D9/504
D189,374 S * 11/1960 Harris D9/504
D208,735 S * 9/1967 Rahn et al. D9/689
D215,698 S * 10/1969 Jordan et al. D9/688
3,494,510 A * 2/1970 Rahn B65D 83/205
222/153.07
D334,711 S * 4/1993 Ekuan D9/435

D419,719 S * 1/2000 Garcia D28/7
D484,371 S * 12/2003 Tang D7/679
D491,691 S * 6/2004 Braaten D28/76
D521,386 S * 5/2006 Priestman D28/76
D539,480 S * 3/2007 Kostow D28/76
(Continued)

FOREIGN PATENT DOCUMENTS

CN 3264977 * 11/2002
CN 301011013 * 9/2009
(Continued)

Primary Examiner — Catherine A Tuttle
(74) *Attorney, Agent, or Firm* — Polsinelli PC

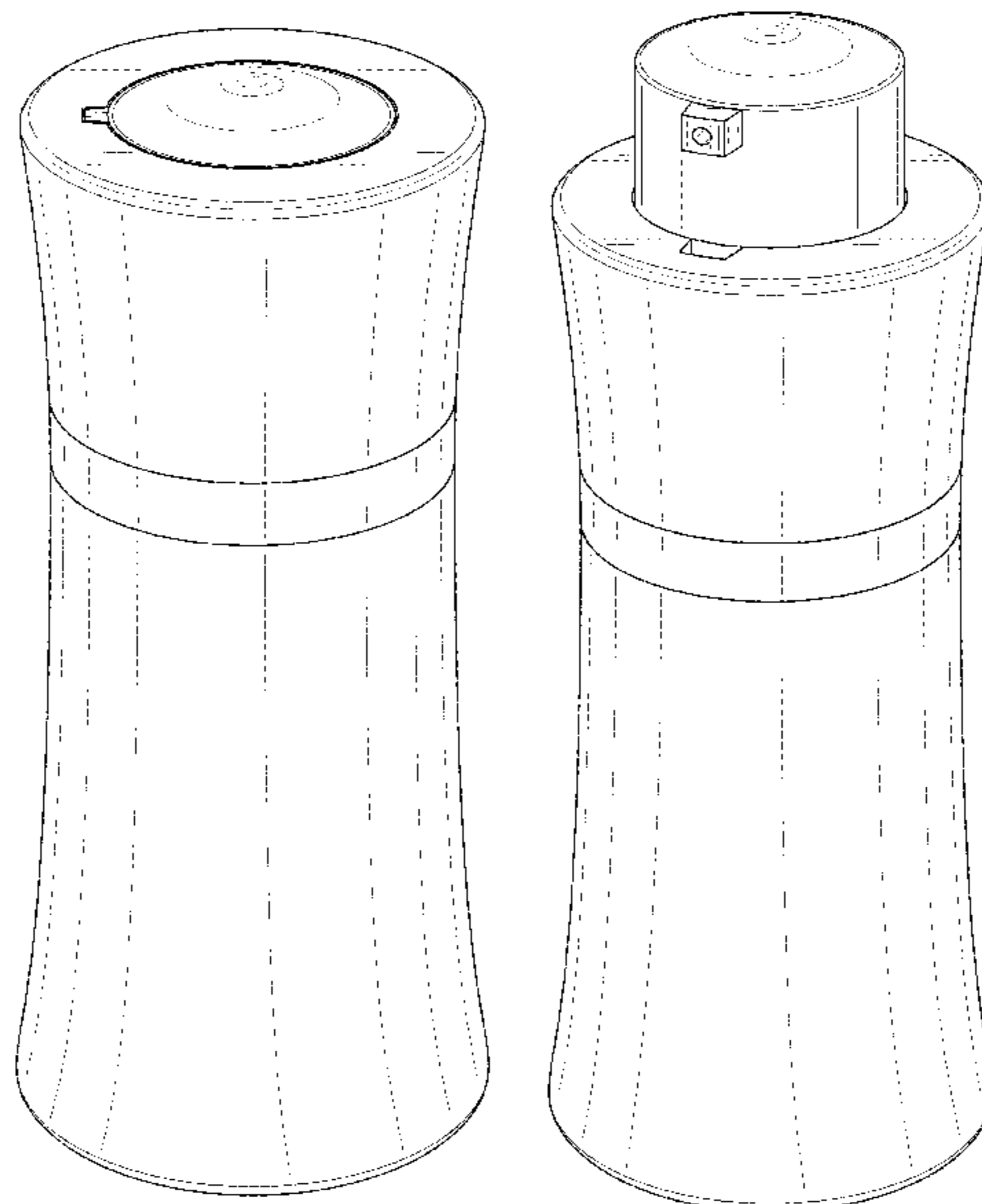
(57) **CLAIM**

The ornamental design for a dispensing bottle with retractable head, as shown and described.

DESCRIPTION

FIG. 1 is a top perspective view showing my new design for a dispensing bottle with the cap element in a retracted state; FIG. 2 is a front view thereof; FIG. 3 is a back view thereof; FIG. 4 is a left side view thereof; FIG. 5 is a right side view thereof; FIG. 6 is a top plan view thereof; FIG. 7 is a bottom plan view thereof; FIG. 8 is a top perspective view showing the cap element in a deployed state; FIG. 9 is a front view thereof; FIG. 10 is a back view thereof; FIG. 11 is a left side view thereof; FIG. 12 is a right side view thereof; FIG. 13 is a top plan view thereof; and, FIG. 14 is a bottom plan view thereof. The broken lines of FIGS. 7 and 14 depict the portion of the bottom surface that forms no part of the claimed design.

1 Claim, 14 Drawing Sheets



(56)

References Cited

U.S. PATENT DOCUMENTS

D616,261 S * 5/2010 Lundstrom D7/679
D639,166 S * 6/2011 Carreno D9/504
D655,200 S * 3/2012 Gross B65D 83/56
D9/687
D703,054 S * 4/2014 DeMarco D9/504
D714,162 S * 9/2014 Kang D9/716
D787,948 S * 5/2017 Scott D9/689
D806,557 S * 1/2018 Albano D9/689
10,524,555 B1 * 1/2020 Hwang A45D 40/16
2013/0200107 A1 * 8/2013 Presche B05B 11/3074
222/153.13
2017/0348714 A1 * 12/2017 Lee B65D 81/32
2018/0257826 A1 * 9/2018 Jung B05B 11/306

FOREIGN PATENT DOCUMENTS

JP D1304032 * 6/2007
KR 300436208.0000 * 1/2007
KR 300485768.0000 * 4/2008
KR 300505631.0000 * 9/2008
KR 300675425.0000 * 1/2013
KR 300796781.0000 * 5/2015

* cited by examiner

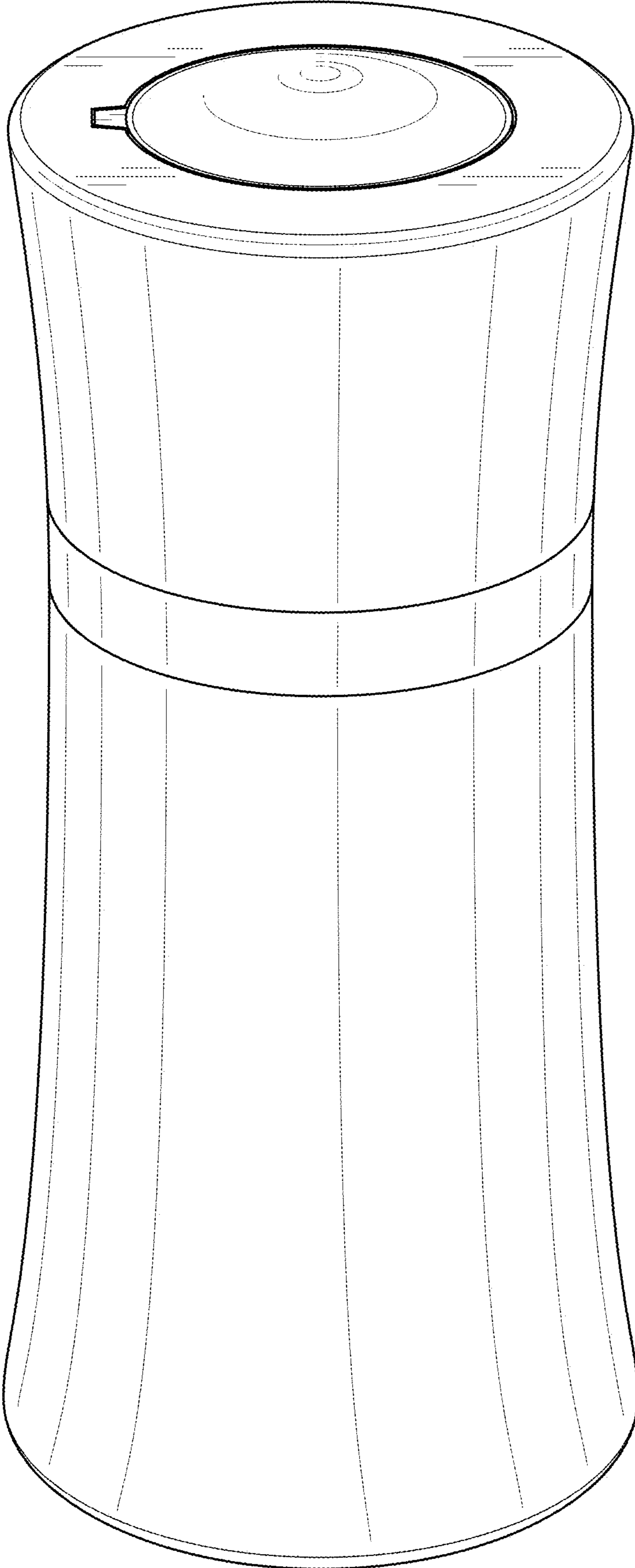


FIG. 1

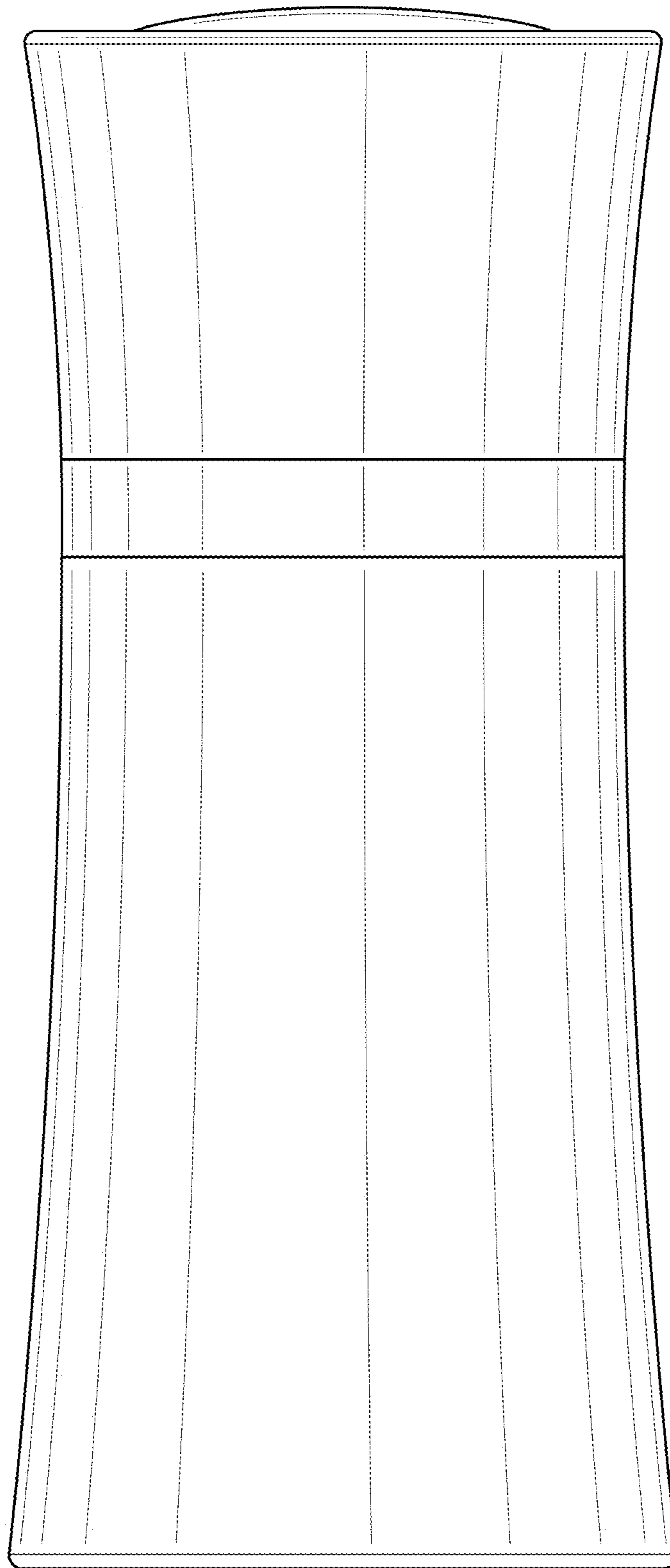


FIG. 2

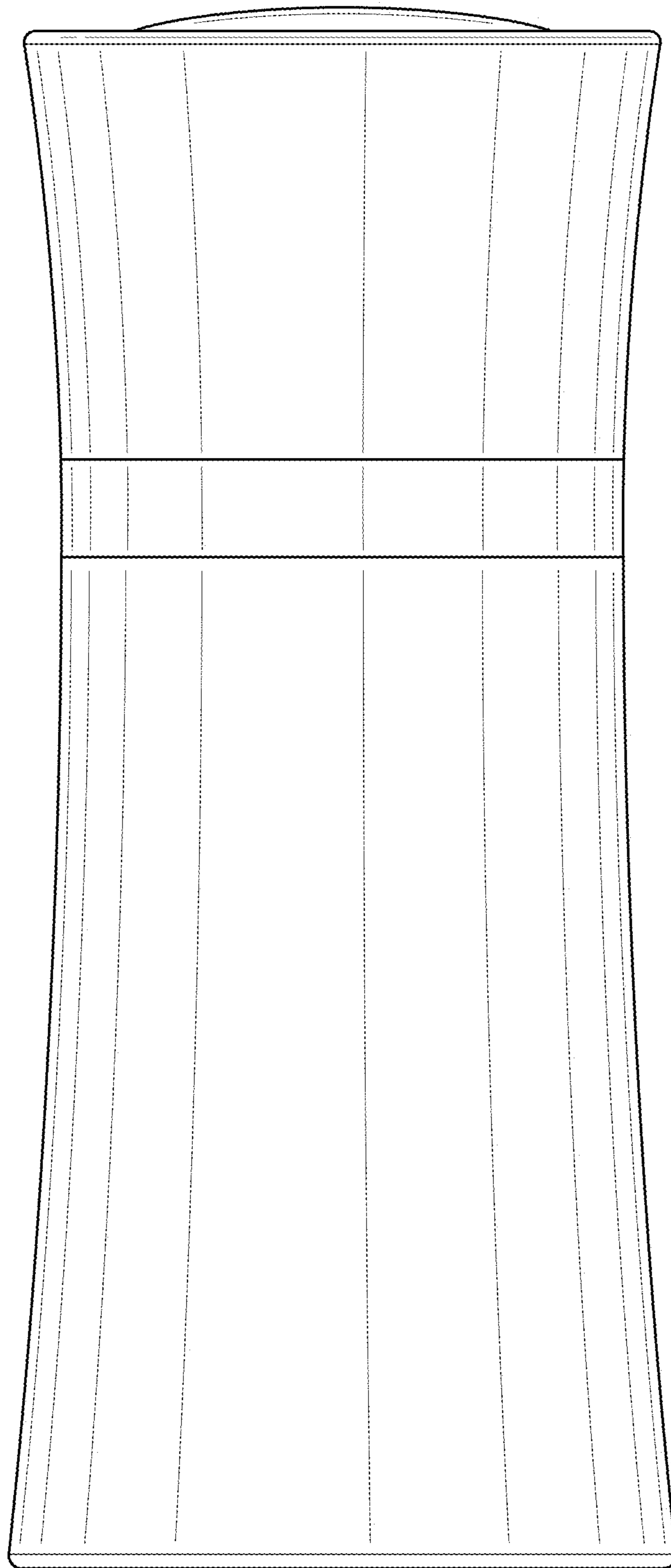


FIG. 3

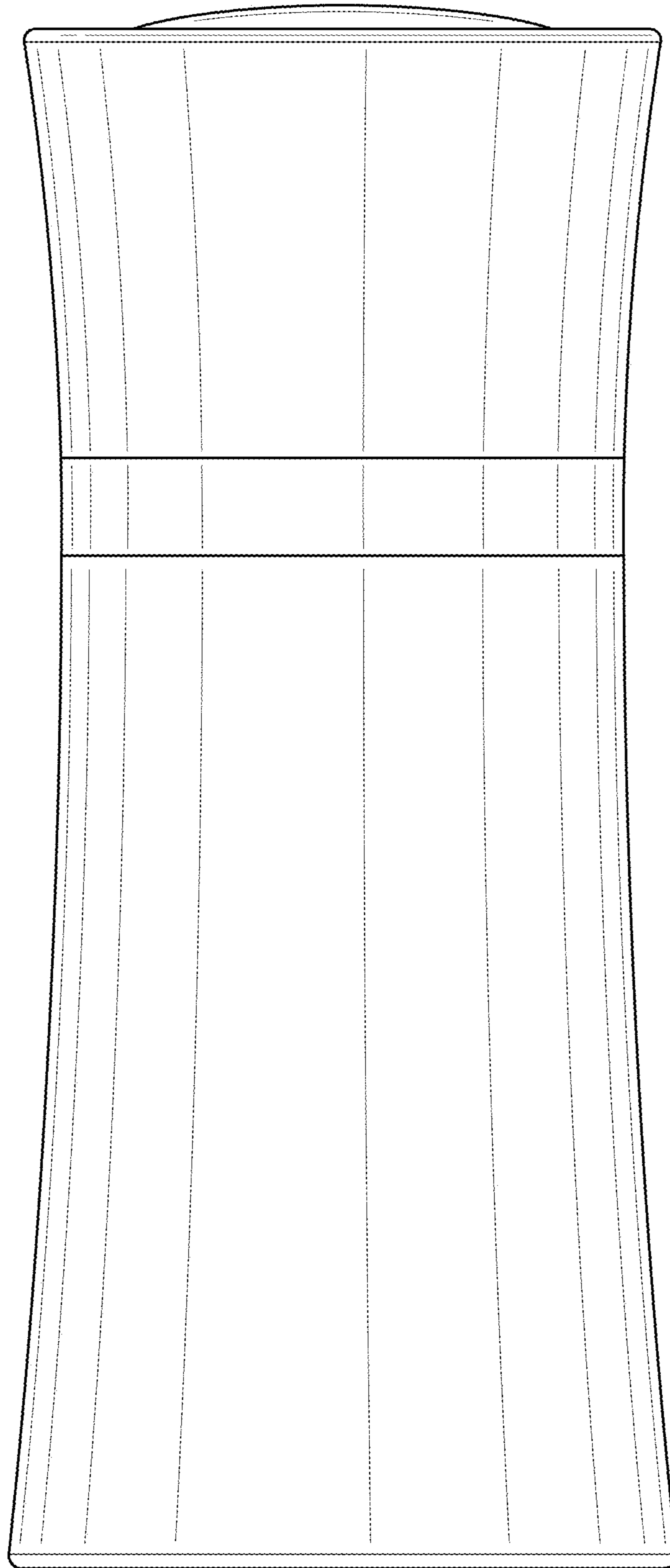


FIG. 4

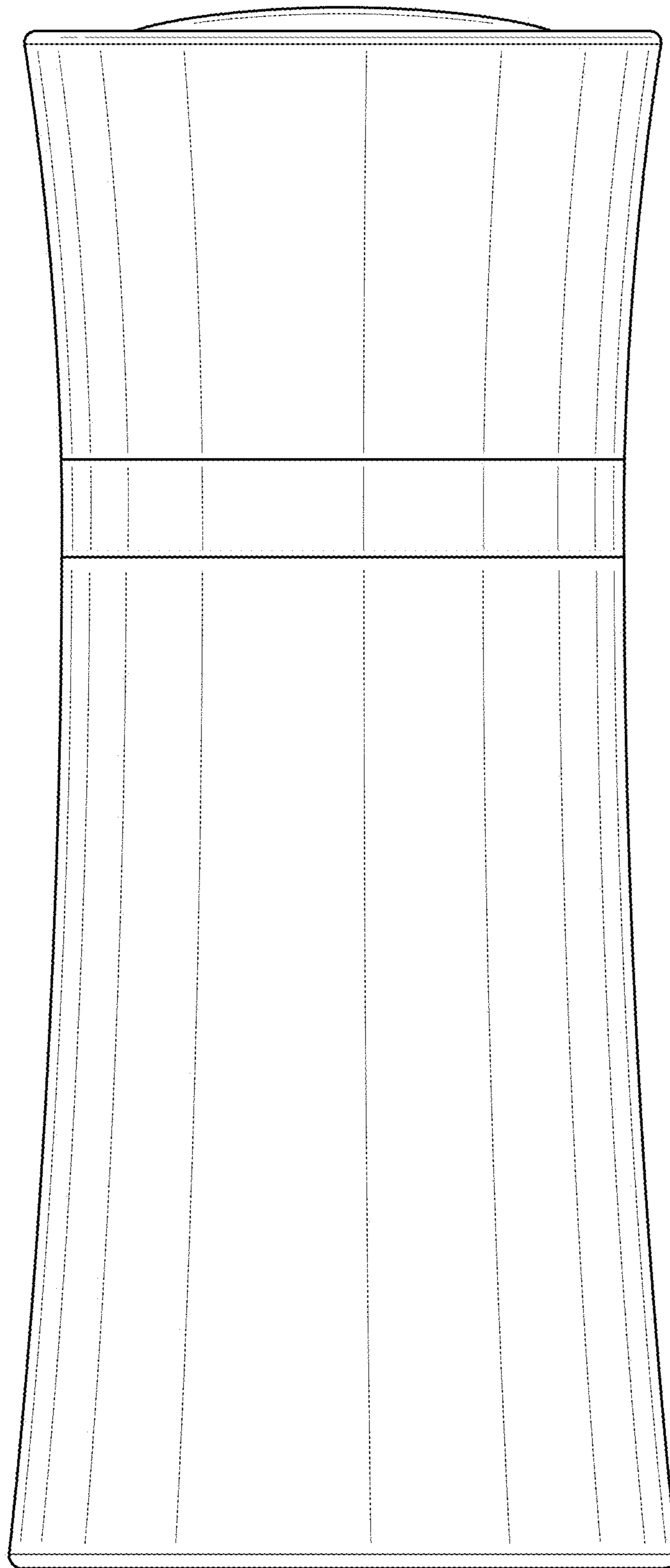


FIG. 5

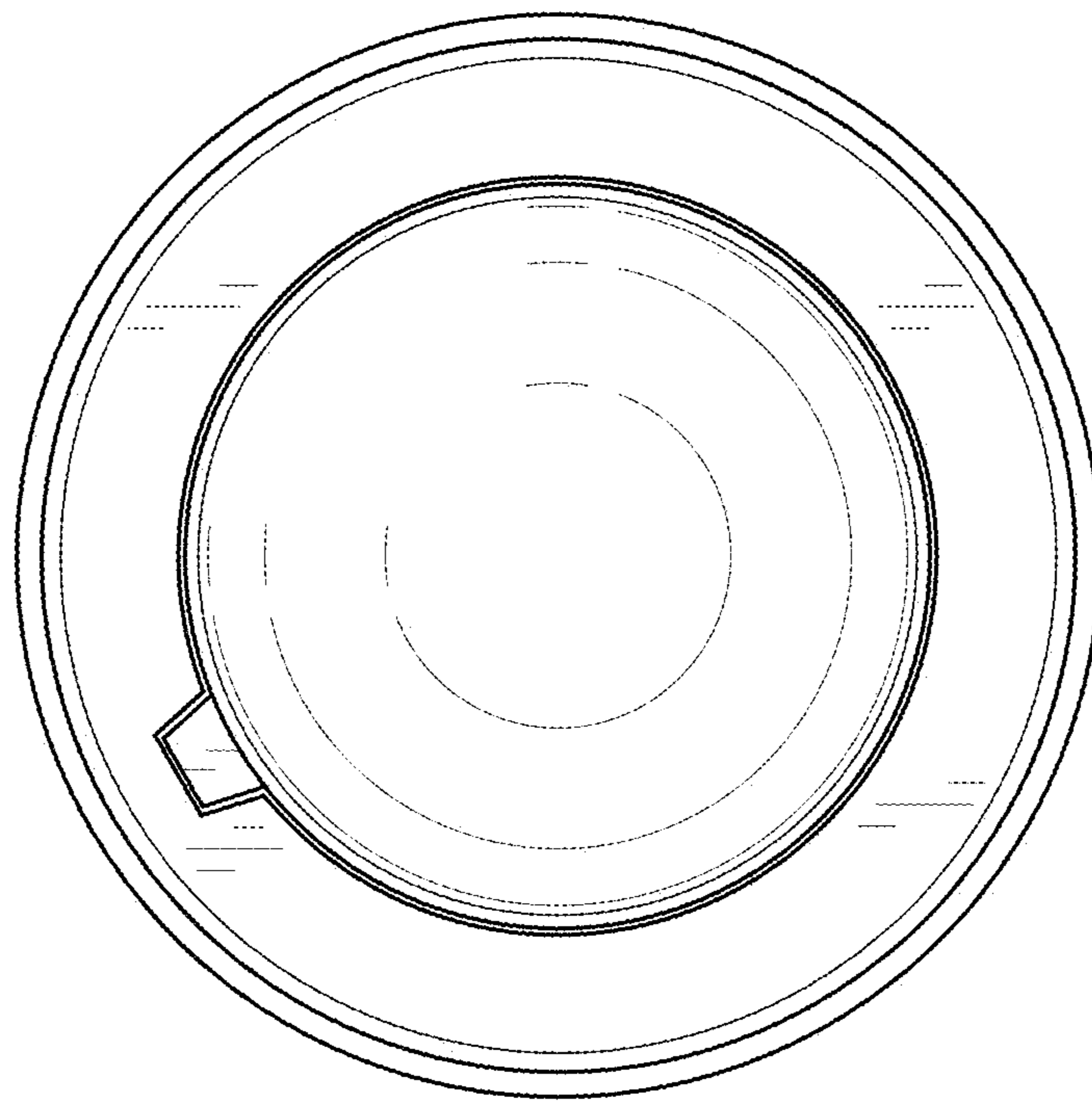


FIG. 6

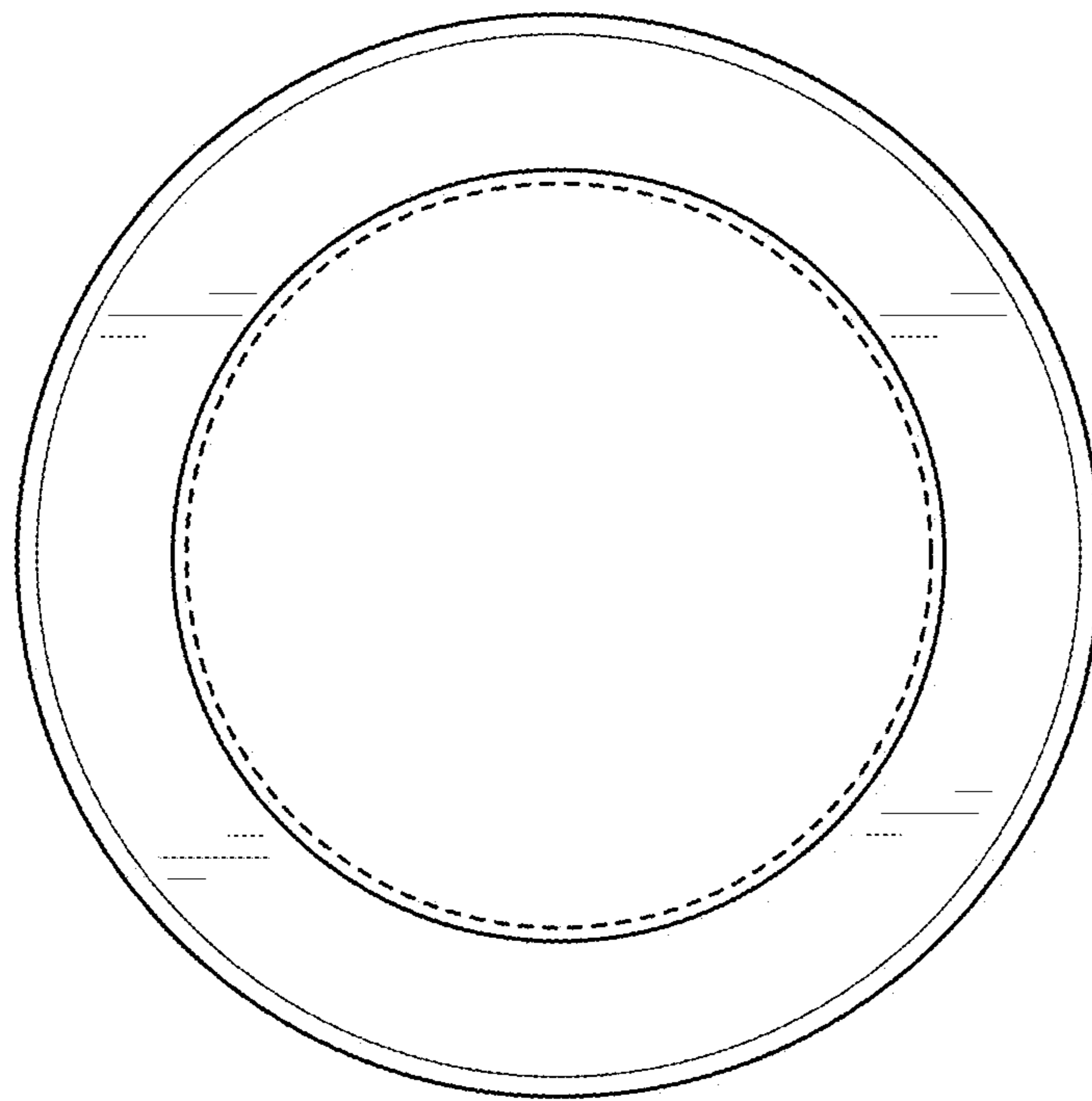


FIG. 7

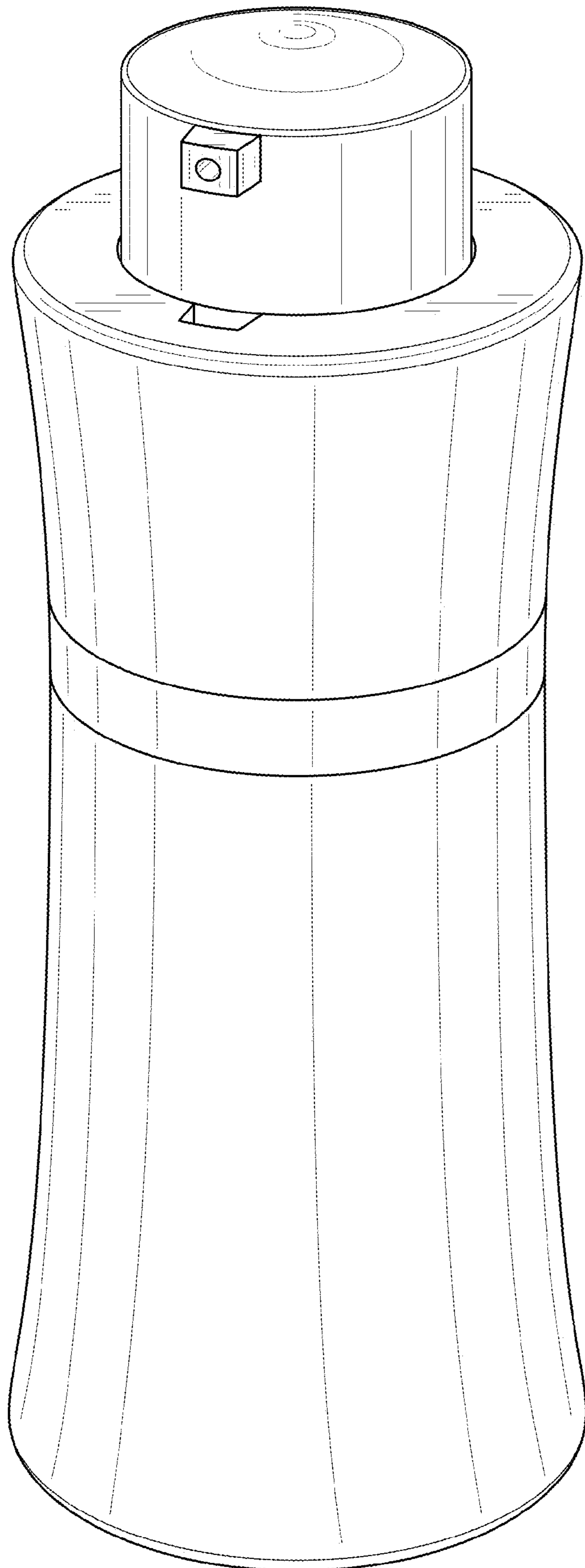


FIG. 8

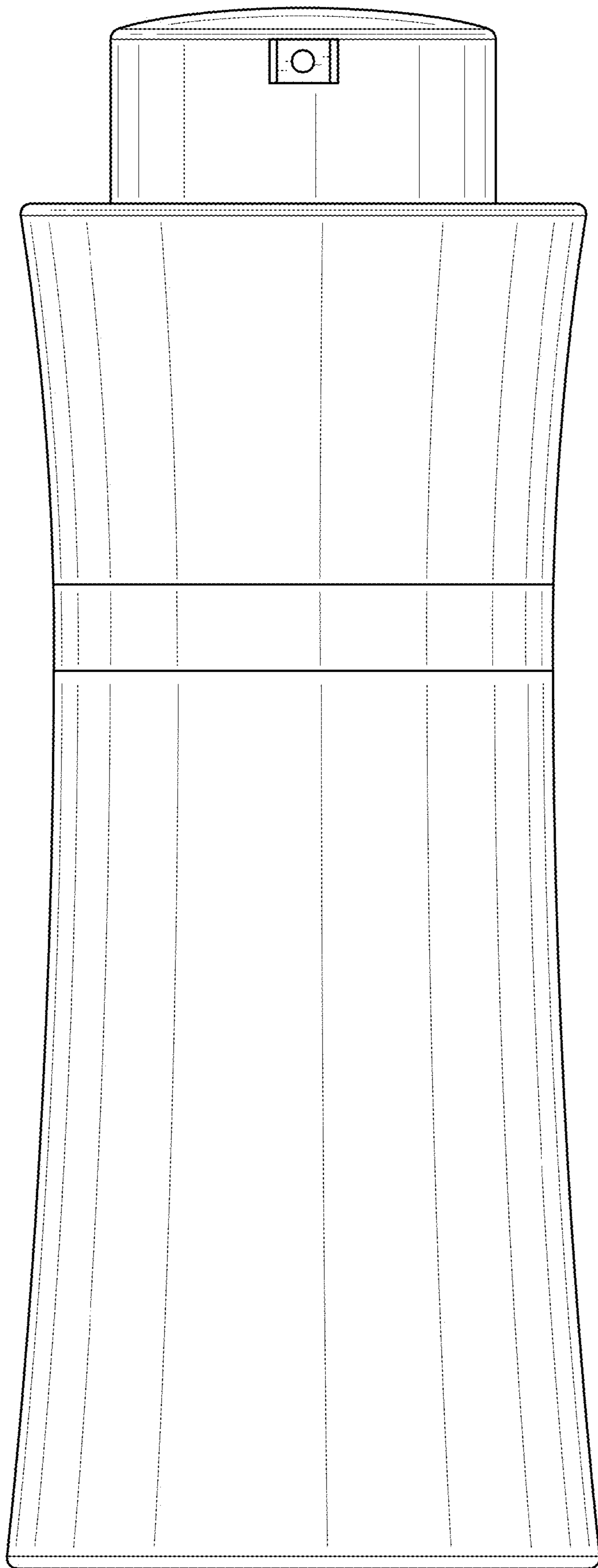


FIG. 9

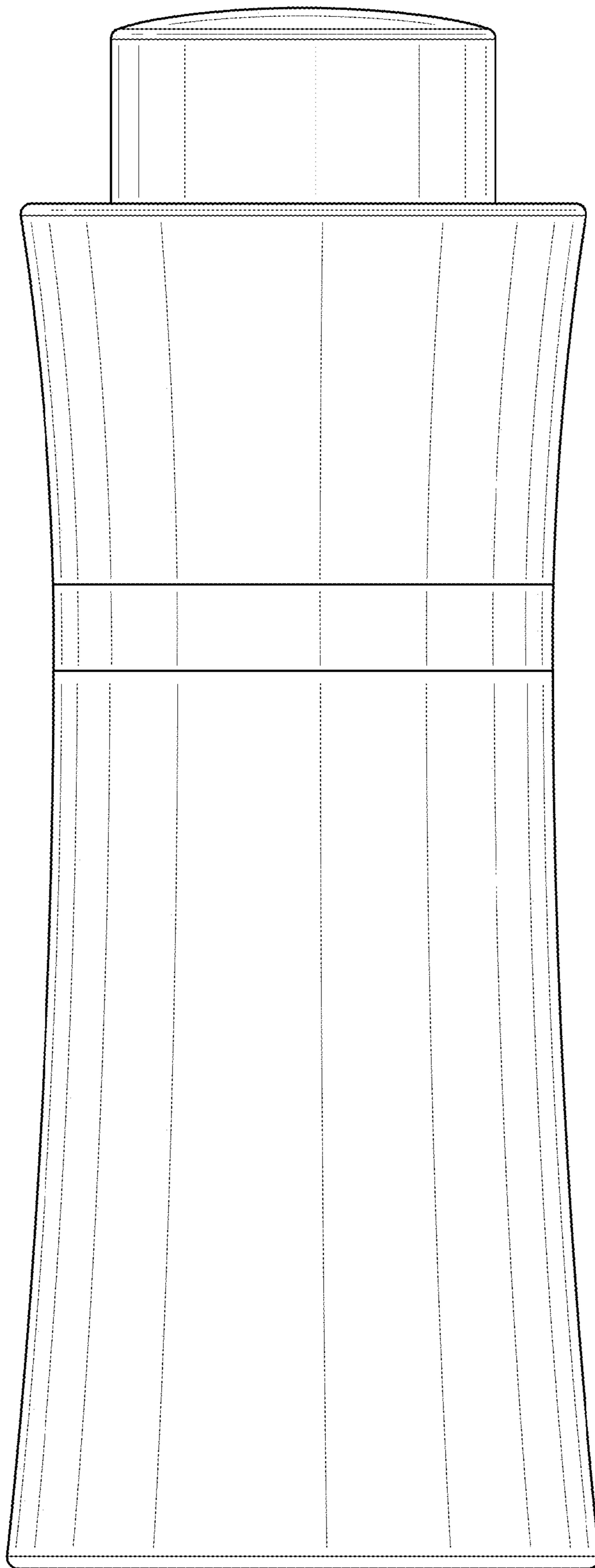


FIG. 10

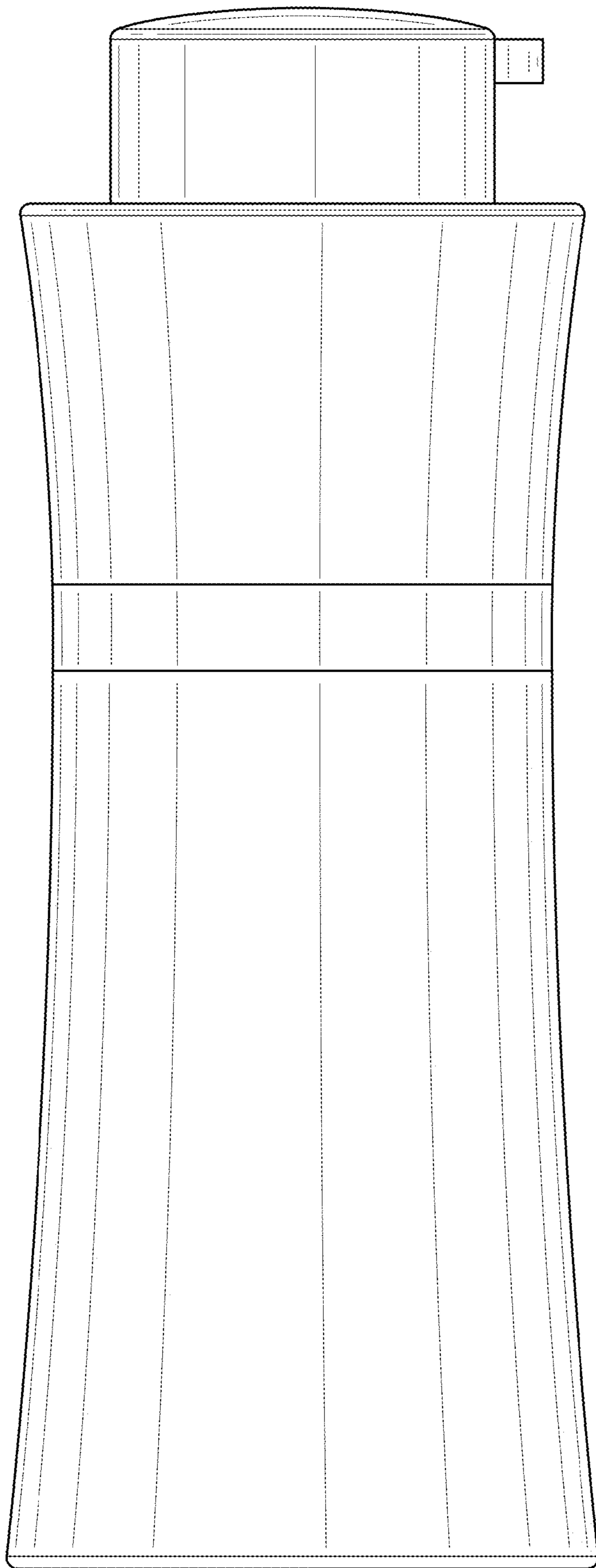


FIG. 11

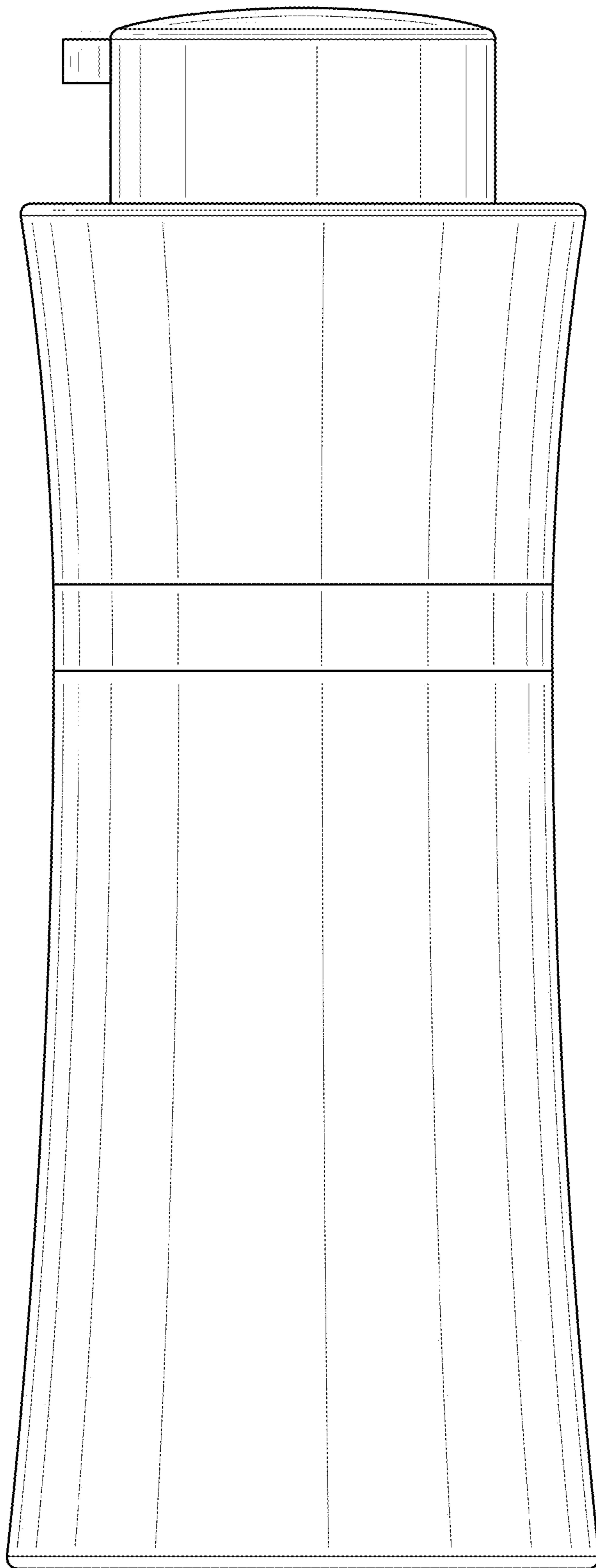


FIG. 12

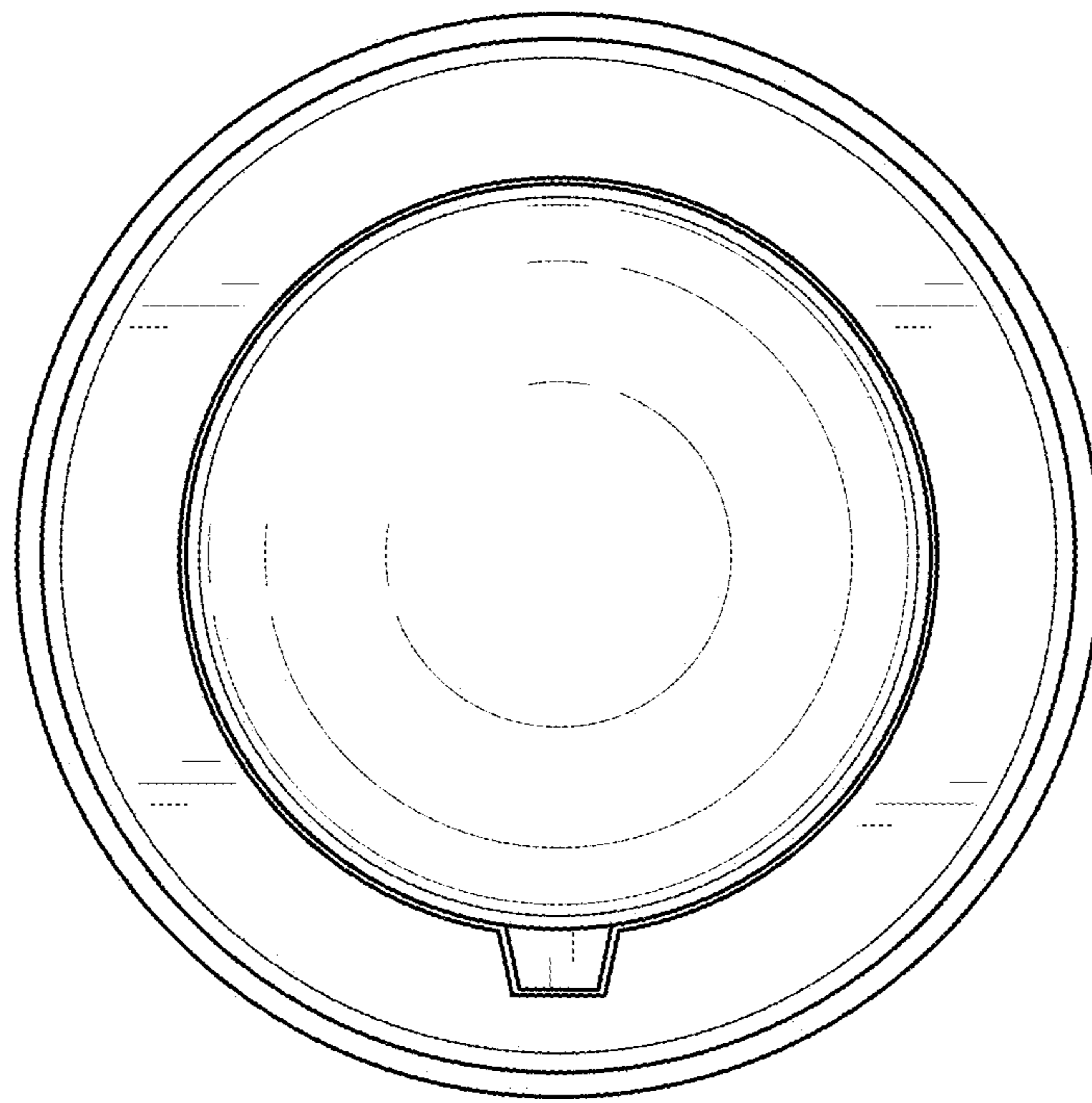


FIG. 13

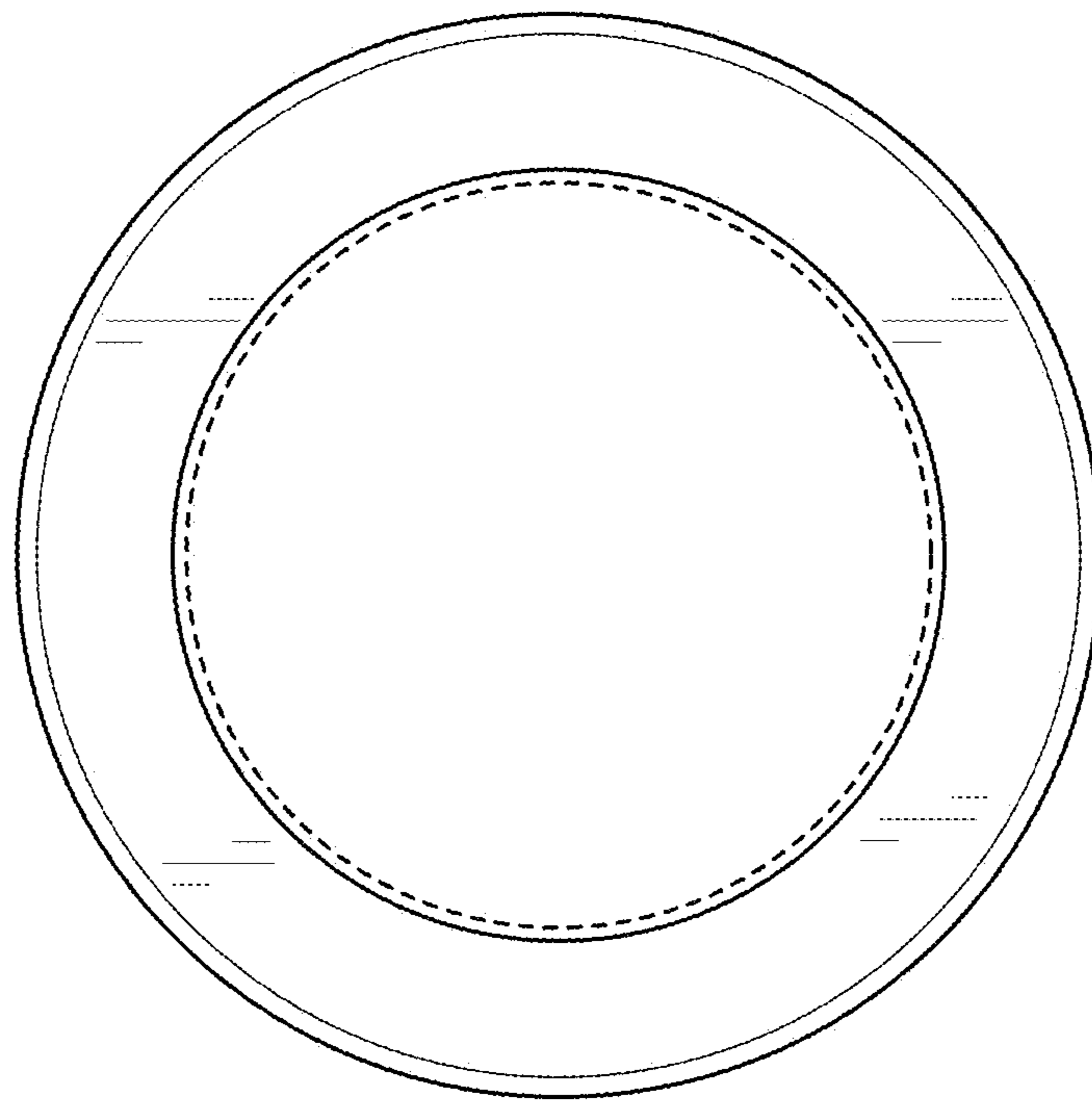


FIG. 14