



US00D938281S

(12) **United States Design Patent**
Pham

(10) **Patent No.:** **US D938,281 S**

(45) **Date of Patent:** **** Dec. 14, 2021**

- (54) **BOTTLE**
- (71) Applicant: **Thu Pham**, Westminster, CA (US)
- (72) Inventor: **Thu Pham**, Westminster, CA (US)
- (**) Term: **15 Years**
- (21) Appl. No.: **29/740,979**
- (22) Filed: **Jul. 8, 2020**
- (51) **LOC (13) Cl.** **09-01**
- (52) **U.S. Cl.**
USPC **D9/563; D9/520; D9/574**
- (58) **Field of Classification Search**
USPC D9/516, 530, 542-543, 559-560, 563,
D9/571-574
CPC B65D 1/00; B65D 1/02; B65D 1/0223;
B65D 2501/00; B65D 2501/0009; B65D
2501/0081
See application file for complete search history.

- D352,462 S * 11/1994 Rupert D9/520
- D394,211 S * 5/1998 Kuzma D9/542
- D426,469 S * 6/2000 Mankowski D9/541
- D534,804 S * 1/2007 Muehlhausen D9/534
- D760,088 S * 6/2016 Kaye D9/560
- D829,558 S * 10/2018 Rothfos D9/563

* cited by examiner

Primary Examiner — Dana Meyrow

(57) **CLAIM**

The ornamental design for a bottle, as shown and described.

DESCRIPTION

FIG. 1 is a front-top perspective view of a bottle showing my new design;
 FIG. 2 is a front-bottom perspective view thereof;
 FIG. 3 is a rear-top perspective view thereof;
 FIG. 4 is a rear-bottom perspective view thereof;
 FIG. 5 is a front elevational view thereof;
 FIG. 6 is a rear elevational view thereof;
 FIG. 7 is a left elevational view thereof;
 FIG. 8 is a right elevational view thereof;
 FIG. 9 is a top plan view thereof; and,
 FIG. 10 is a bottom plan view thereof.
 The broken lines in the drawings showing illustrate the portions of the bottle that form no part of the claim.

(56) **References Cited**
 U.S. PATENT DOCUMENTS

- D290,342 S * 6/1987 Lyons D9/571
- D309,713 S * 8/1990 Suetta D9/574
- 5,092,474 A * 3/1992 Leigner B65D 79/005
215/381
- D325,167 S * 4/1992 Humfress D9/453
- D339,291 S * 9/1993 Leigner D9/520

1 Claim, 10 Drawing Sheets

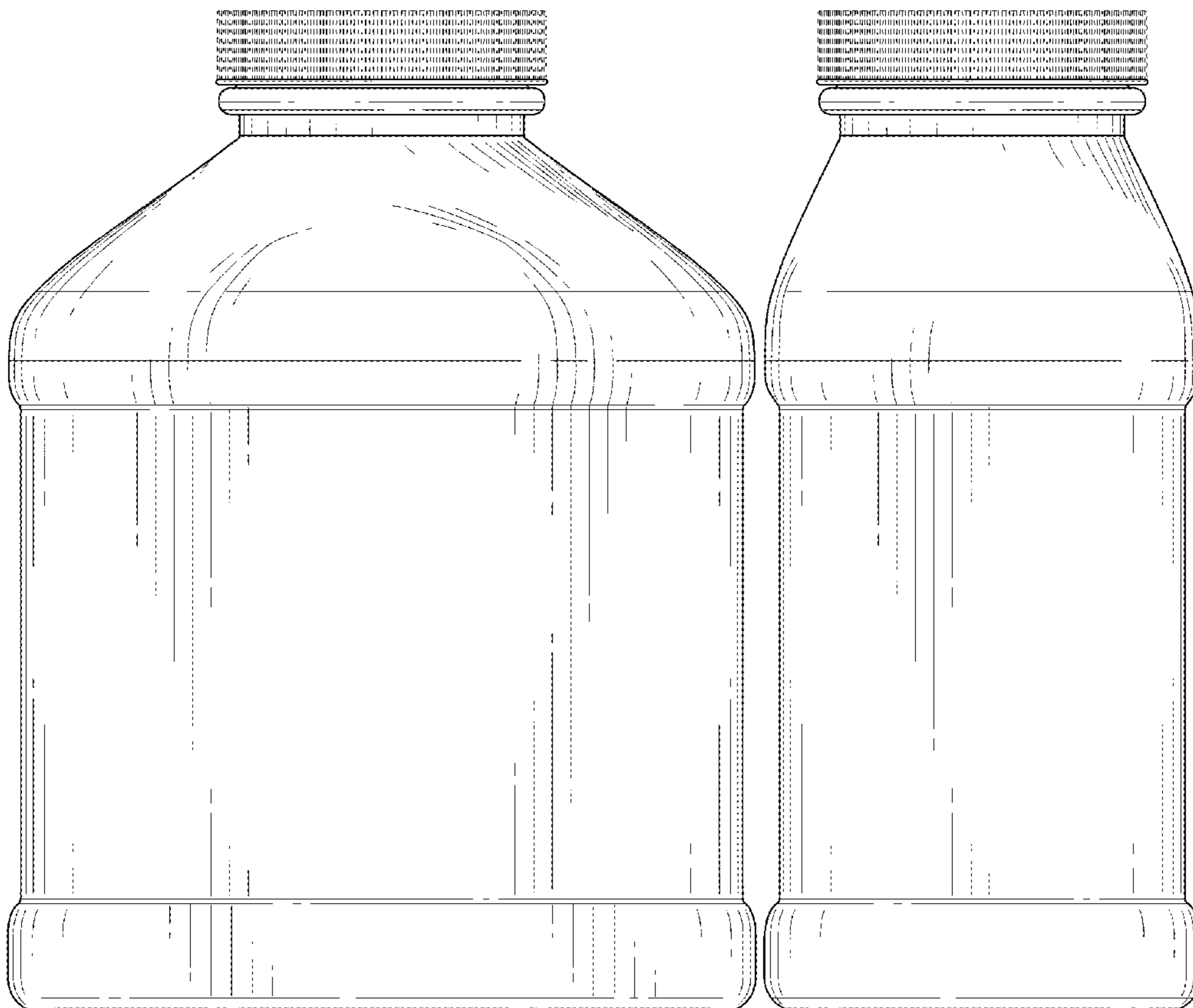




FIG. 1

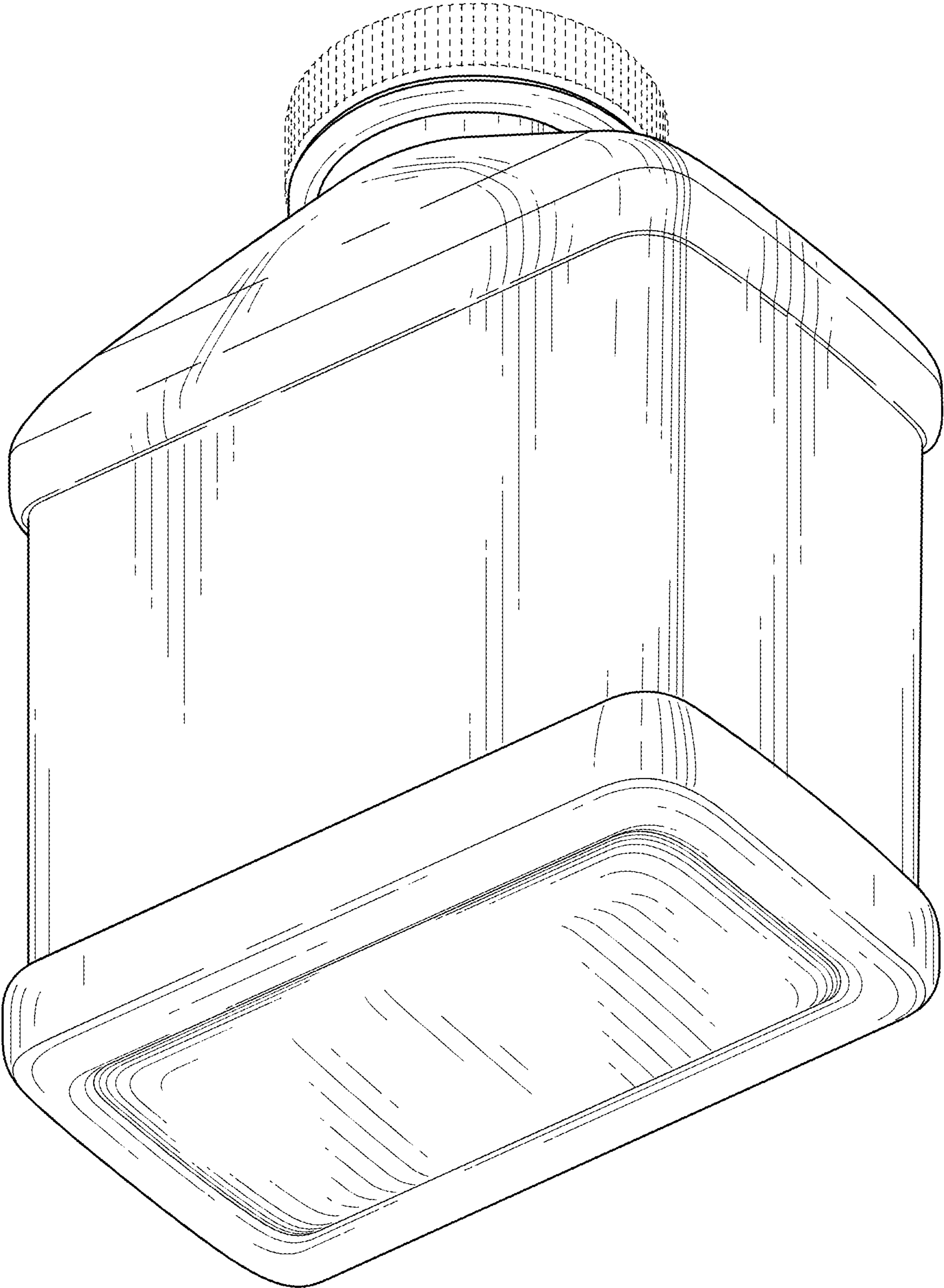


FIG. 2



FIG. 3

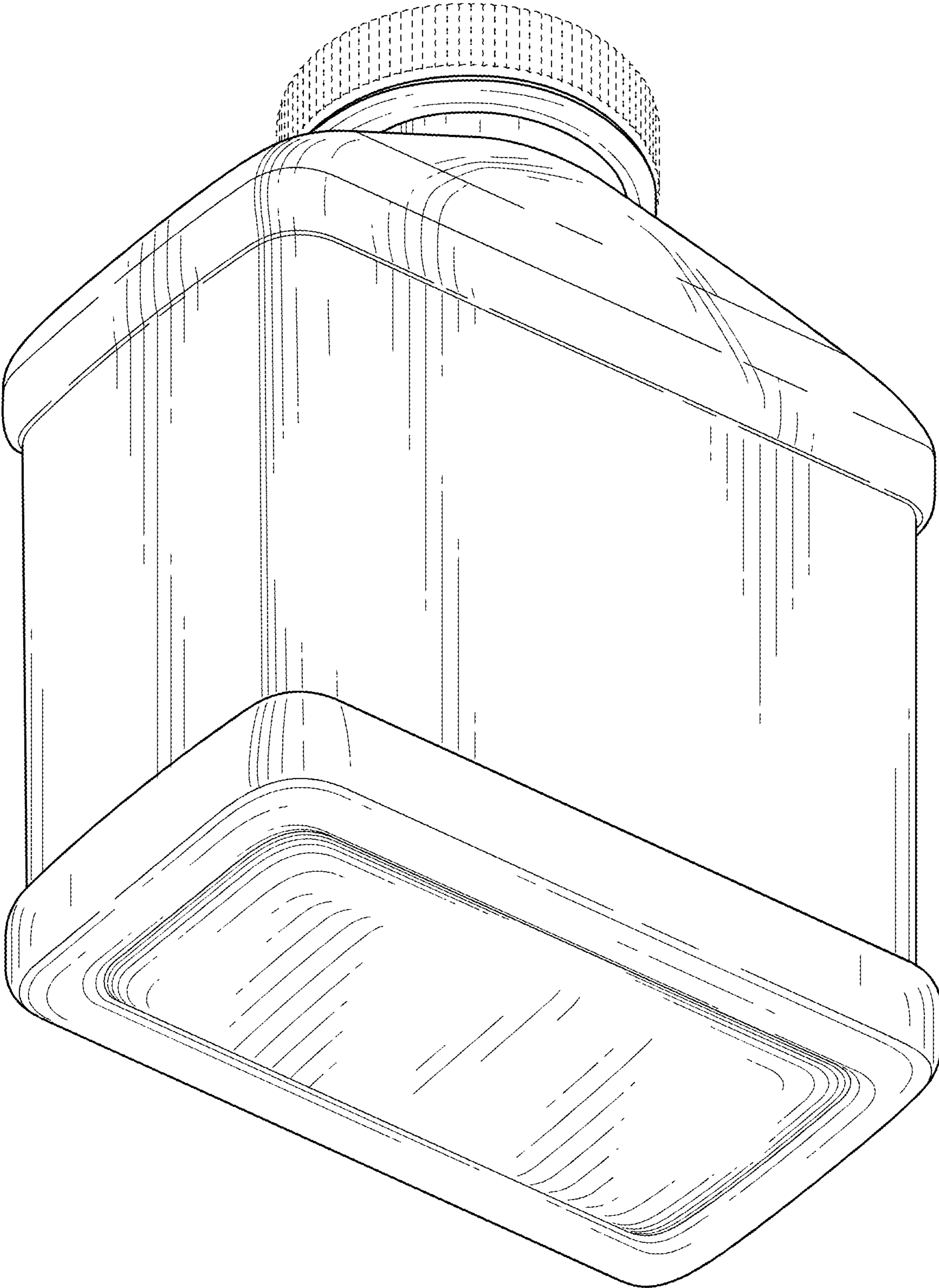


FIG. 4

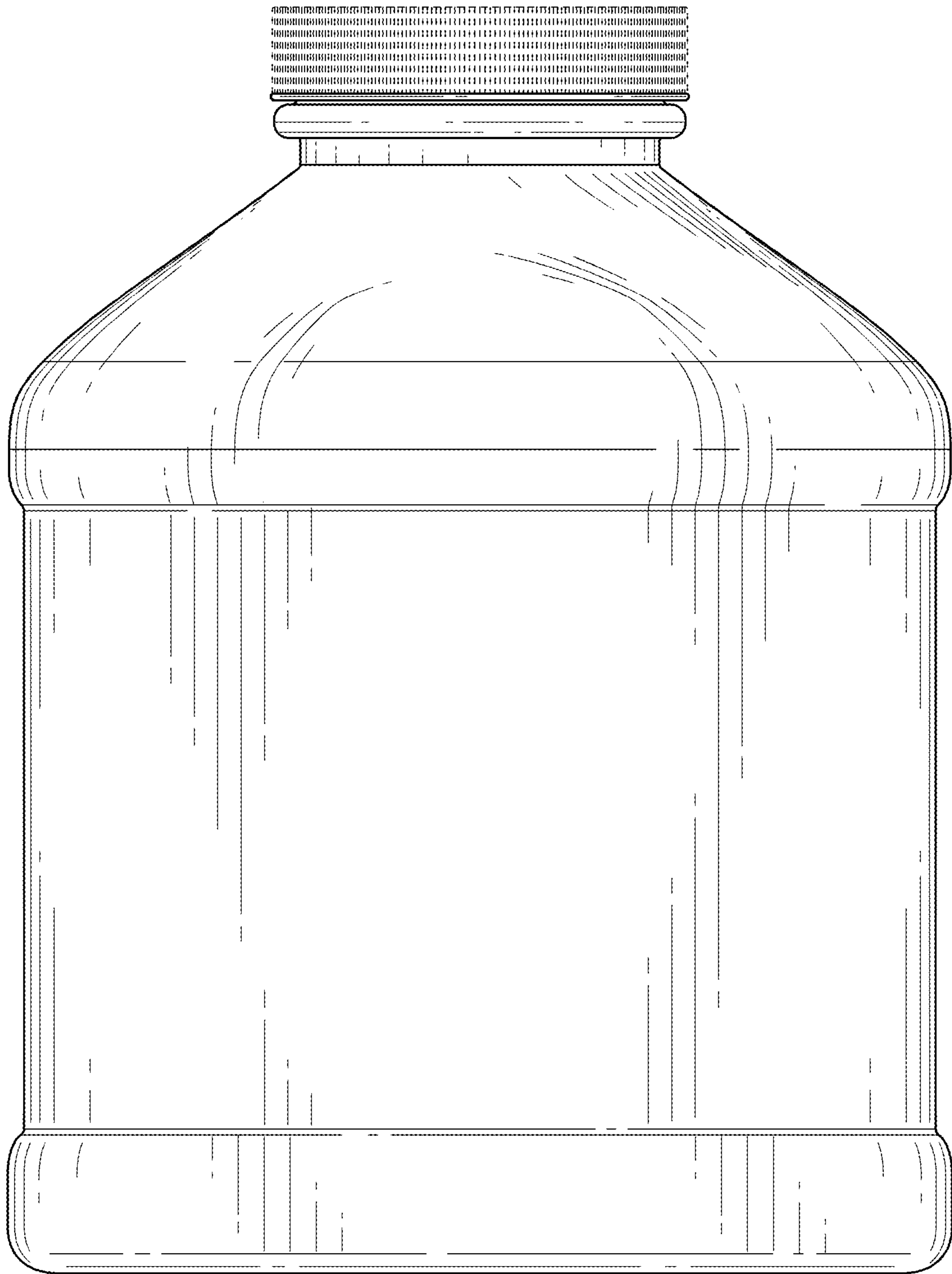


FIG. 5

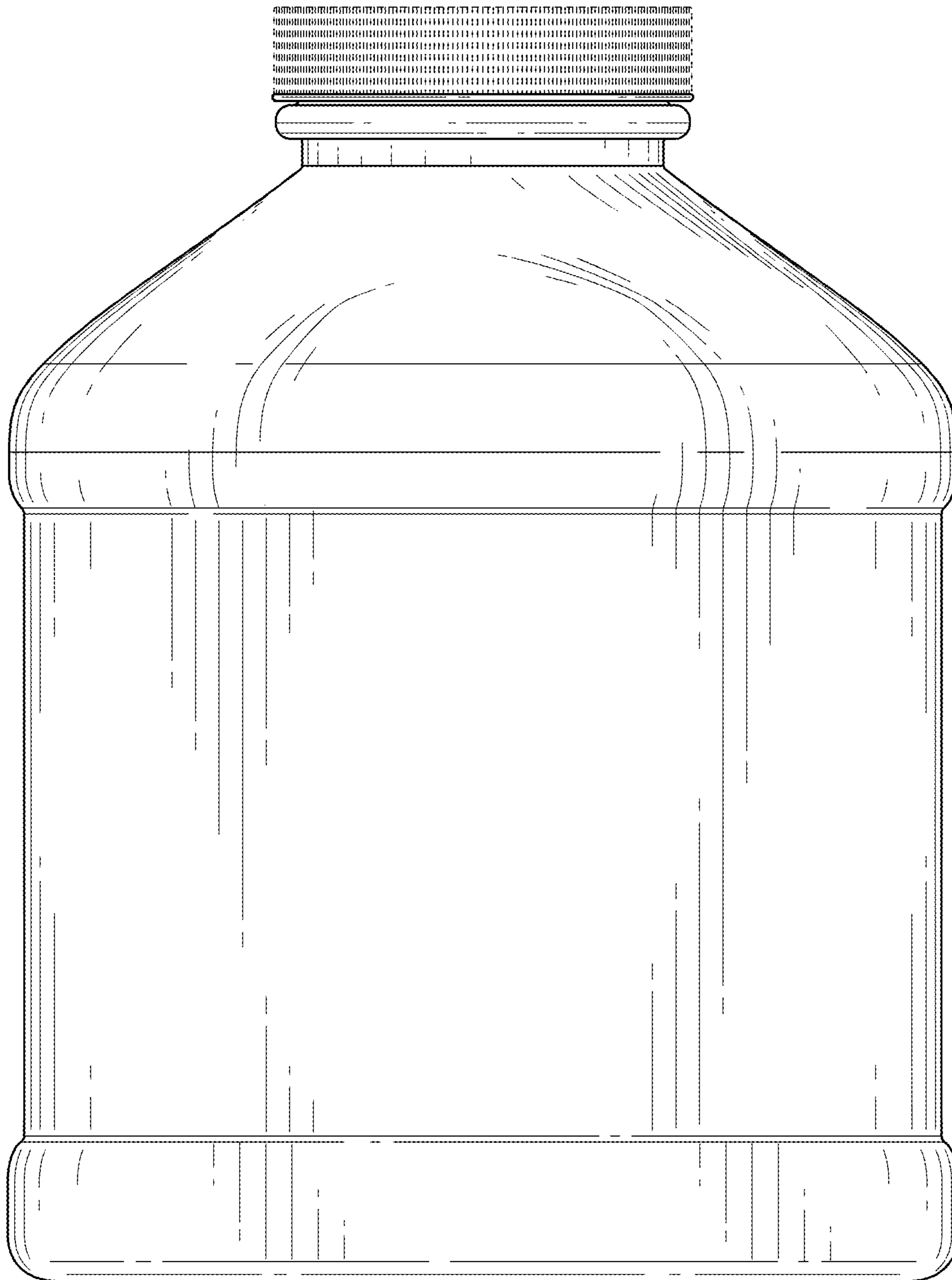


FIG. 6

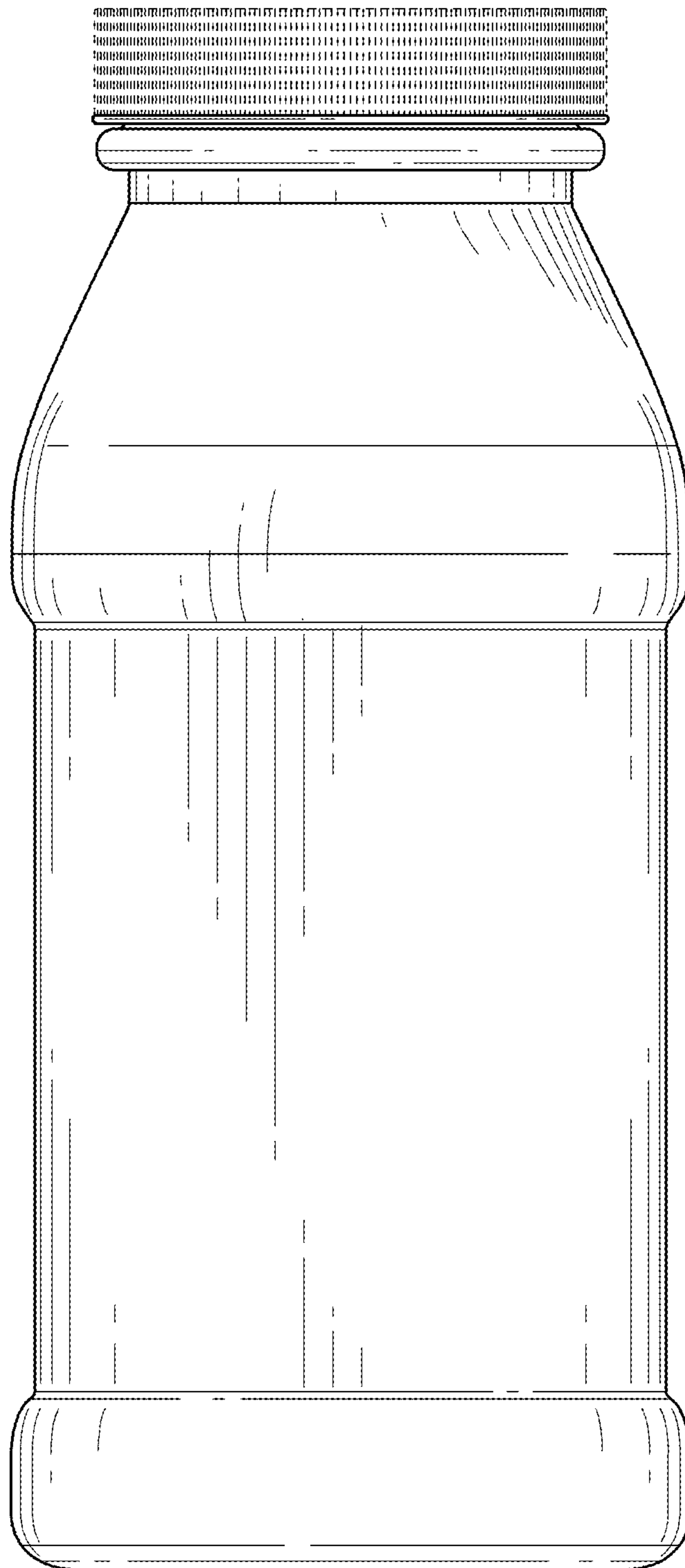


FIG. 7

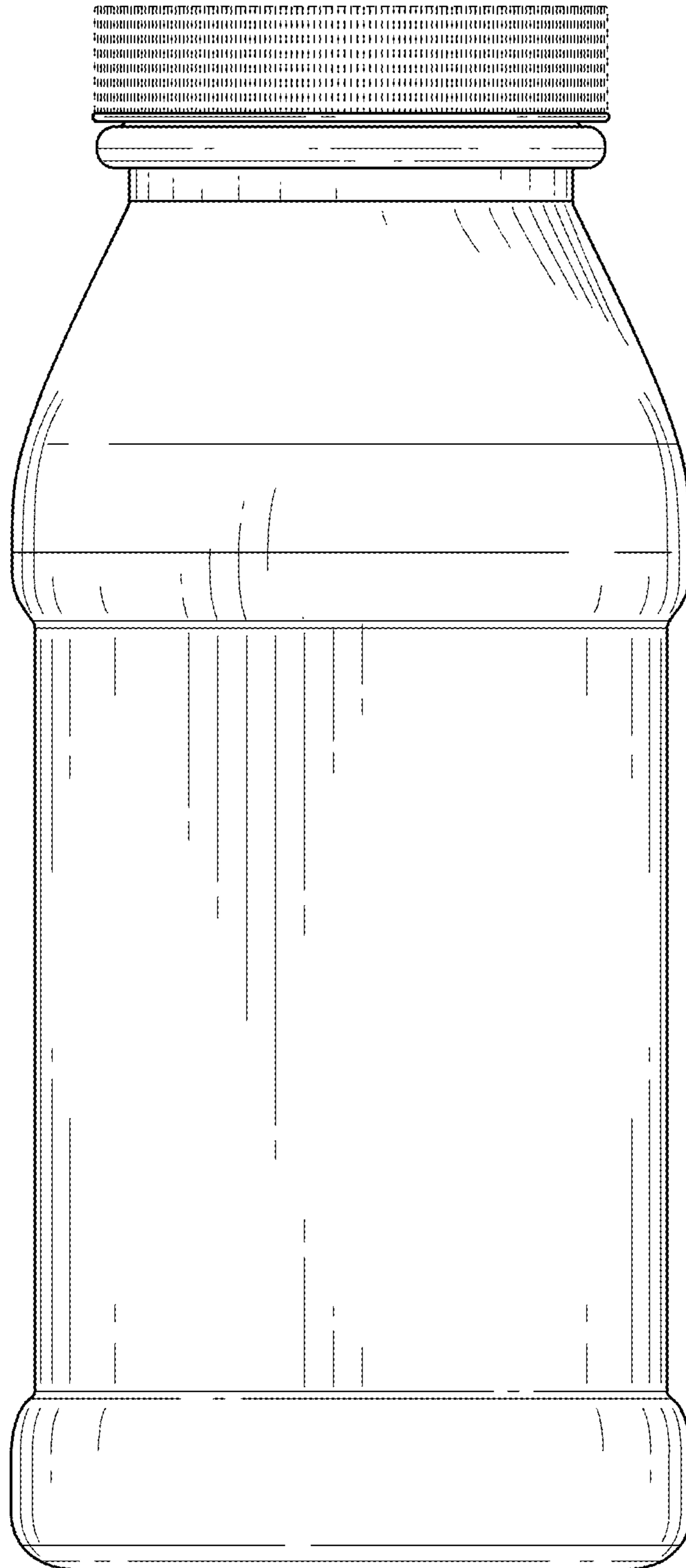


FIG. 8

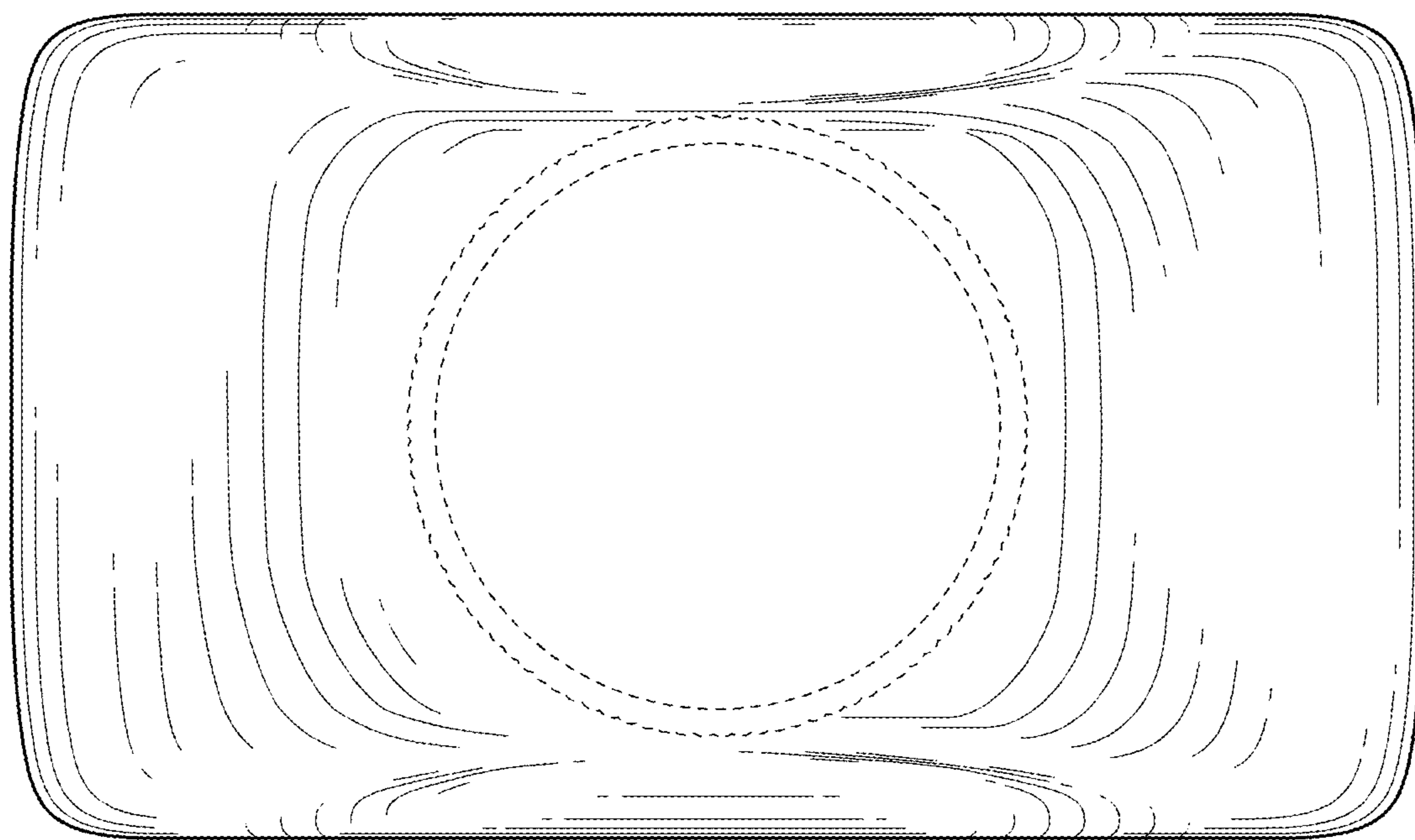


FIG. 9

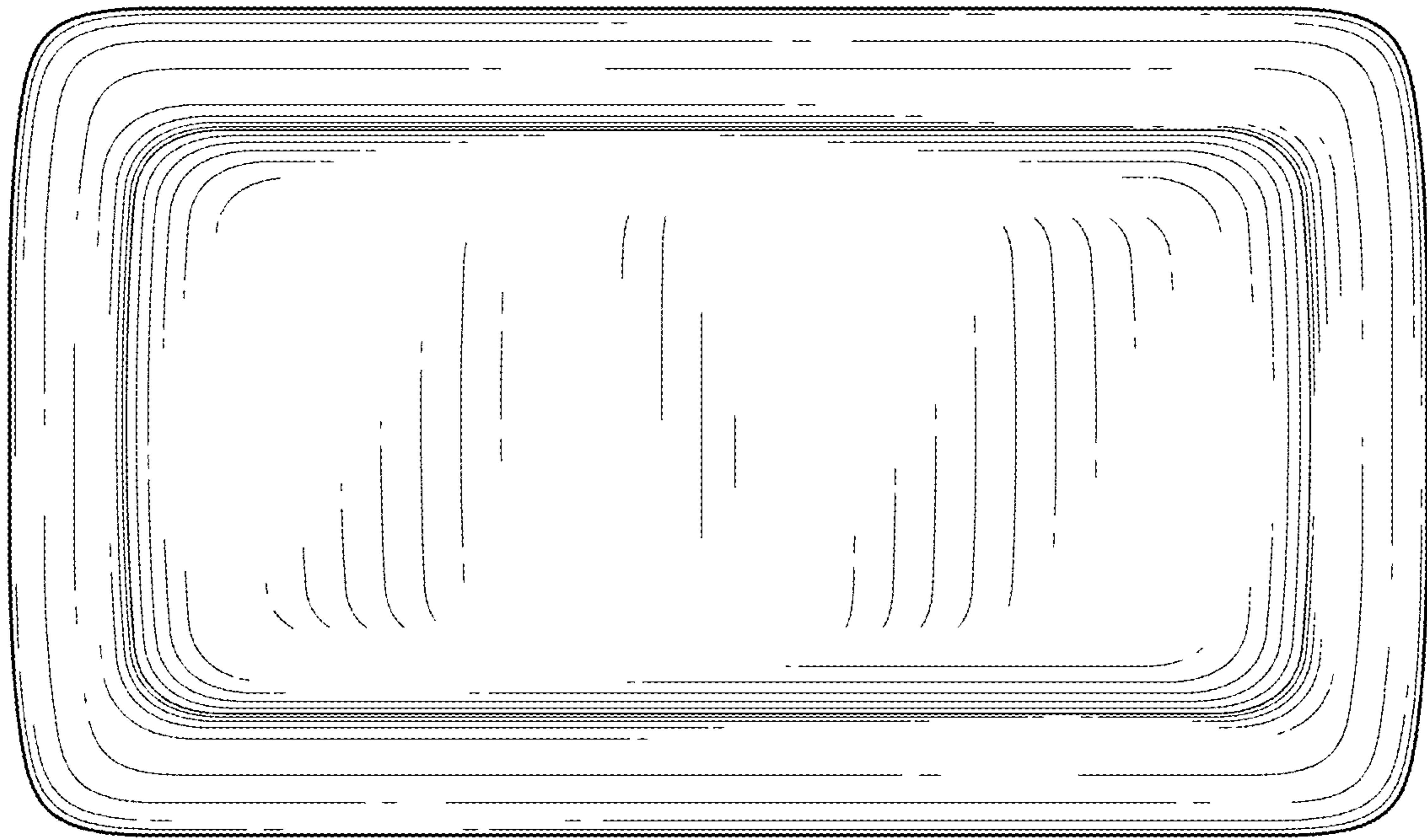


FIG. 10