



US00D938280S

(12) **United States Design Patent** (10) **Patent No.:** **US D938,280 S**
Van Skaik et al. (45) **Date of Patent:** **** Dec. 14, 2021**

(54) **BOTTLE**

FOREIGN PATENT DOCUMENTS

(71) Applicant: **The Procter & Gamble Company**,
Cincinnati, OH (US)

CN 103932889 A 7/2014
JP 6569778 B2 9/2018

(Continued)

(72) Inventors: **Elliott Michael Van Skaik**, Liberty
Township, OH (US); **Luis Peraza**, New
Albany, OH (US)

OTHER PUBLICATIONS

(73) Assignee: **The Procter & Gamble Company**,
Cincinnati, OH (US)

U.S. Appl. No. 29/741,047, filed Jul. 9, 2020, Van Skaik et al.
(Continued)

(**) Term: **15 Years**

Primary Examiner — Dana Meyrow

(21) Appl. No.: **29/753,651**

(74) *Attorney, Agent, or Firm* — Jason Jeffrey Camp;
Amanda Herman Berghaue

(22) Filed: **Oct. 1, 2020**

Related U.S. Application Data

(60) Continuation of application No. 29/741,045, filed on
Jul. 9, 2020, now Pat. No. Des. 901,300, which is a
continuation of application No. 29/733,878, filed on
May 7, 2020, now Pat. No. Des. 893,301, which is a
division of application No. 29/720,389, filed on Jan.
13, 2020, now Pat. No. Des. 886,615.

(57) **CLAIM**

The ornamental design for a bottle, as shown and described.

(51) **LOC (13) Cl.** **09-01**

(52) **U.S. Cl.**
USPC **D9/516**; D9/566

(58) **Field of Classification Search**
USPC D9/434, 516, 530, 542, 549, 558,
D9/562–563, 566, 571, 574, 715, 719,
D9/553, 559

CPC B65D 1/00; B65D 1/02; B65D 1/0223;
B65D 23/00; B65D 51/32; B65D
2501/00; B65D 2501/0009; B65D
2501/0081

See application file for complete search history.

DESCRIPTION

FIG. 1 is a perspective view of an embodiment of a bottle;
FIG. 2 is a front view thereof;
FIG. 3 is a right side view thereof;
FIG. 4 is a rear view thereof;
FIG. 5 is a left side view thereof;
FIG. 6 is a top view thereof;
FIG. 7 is a bottom view thereof;
FIG. 8 is a perspective view of a second embodiment of a
translucent or transparent bottle;
FIG. 9 is a front view thereof;
FIG. 10 is a left side view thereof;
FIG. 11 is a back view thereof;
FIG. 12 is a right side view thereof;
FIG. 13 is a top view thereof; and,
FIG. 14 is a bottom view thereof.

The broken lines in the drawings illustrate the portions of the
bottle that form no part of the claimed design.

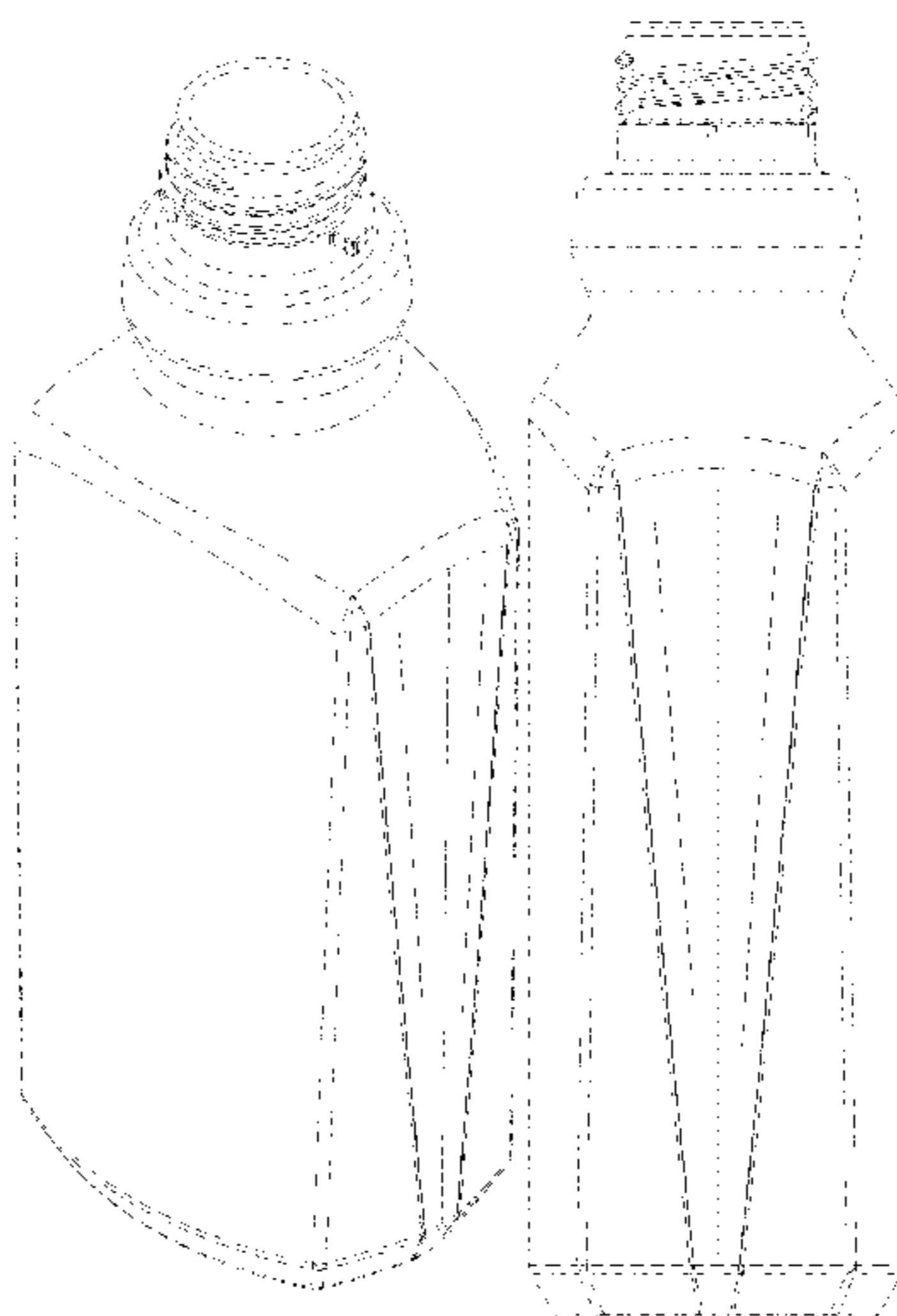
(56) **References Cited**

U.S. PATENT DOCUMENTS

D135,293 S * 3/1943 McIntosh D9/566
D175,447 S * 8/1955 Tucker D7/300

(Continued)

1 Claim, 6 Drawing Sheets



(56)

References Cited

U.S. PATENT DOCUMENTS

D222,433 S 10/1971 Donoghue
 D249,866 S 10/1978 Felix
 4,273,247 A 6/1981 Earls
 D263,025 S 2/1982 Schoeneck
 D278,118 S 3/1985 Hoyt
 D282,443 S 2/1986 Beaver
 D308,483 S 6/1990 Weckman
 D325,699 S 4/1992 Segati et al.
 D330,677 S 11/1992 Goldberg
 D338,159 S 8/1993 Lier
 D411,460 S * 6/1999 Nobuto D9/560
 D472,472 S 4/2003 Meeker
 D530,620 S 10/2006 Owens
 D531,044 S 10/2006 Owens
 D531,045 S 10/2006 Owens
 D531,515 S 11/2006 Owens
 D533,072 S 12/2006 Kelly
 D539,654 S 4/2007 Owens
 D545,212 S 6/2007 Kelly
 D553,001 S * 10/2007 Granitz D9/574
 D577,593 S 9/2008 Hestehave
 D578,007 S 10/2008 Hestehave
 D578,399 S 10/2008 Hestehave
 D579,338 S 10/2008 Hestehave
 D584,634 S 1/2009 Perez
 D591,159 S 4/2009 Pagliaro
 D591,606 S 5/2009 Pace
 D600,565 S 9/2009 Kuzma
 D674,284 S 1/2013 Harris
 D676,329 S 2/2013 Yourist
 D694,640 S * 12/2013 Infahsaeng D9/559
 D694,641 S * 12/2013 Infahsaeng D9/559
 D694,642 S * 12/2013 Infahsaeng D9/559
 8,899,437 B2 12/2014 Vogel
 D747,972 S * 1/2016 Allan D9/682
 D759,492 S 6/2016 Dominick

D770,902 S 11/2016 Vaughn-batiz
 9,541,440 B2 1/2017 Larson
 D782,911 S 4/2017 Dominick et al.
 D790,975 S * 7/2017 Allan D9/544
 D831,494 S 10/2018 Smith
 D833,889 S * 11/2018 Hurst D9/766
 D856,810 S * 8/2019 James D9/566
 D856,812 S * 8/2019 James D9/566
 D863,968 S * 10/2019 Miloserdova D9/546
 D883,796 S 5/2020 Kuzma et al.
 D883,799 S 5/2020 Takahashi
 D886,615 S * 6/2020 Van Skaik D9/516
 D886,616 S * 6/2020 Van Skaik D9/516
 D886,625 S 6/2020 Van Skaik
 D887,849 S * 6/2020 Van Skaik D9/542
 D893,301 S 8/2020 Van Skaik
 D893,302 S 8/2020 Van Skaik
 D893,309 S 8/2020 Van Skaik
 2015/0094650 A1 4/2015 Young

FOREIGN PATENT DOCUMENTS

KR 20090118716 A 11/2009
 WO DM/099364 10/2017

OTHER PUBLICATIONS

U.S. Appl. No. 62/960,170, filed Jan. 13, 2020, Van Skaik et al.
 U.S. Appl. No. 29/741,045, filed Jul. 9, 2020, Van Skaik et al.
 All Office Actions, U.S. Appl. No. 29/720,389.
 All Office Actions, U.S. Appl. No. 29/720,396.
 All Office Actions, U.S. Appl. No. 29/733,878.
 All Office Actions, U.S. Appl. No. 29/733,880.
 All Office Actions, U.S. Appl. No. 29/741,045.
 All Office Actions, U.S. Appl. No. 29/741,047.
 Unpublished U.S. Appl. No. 17/147,544, filed Jan. 13, 2020, to first inventor et. al.

* cited by examiner

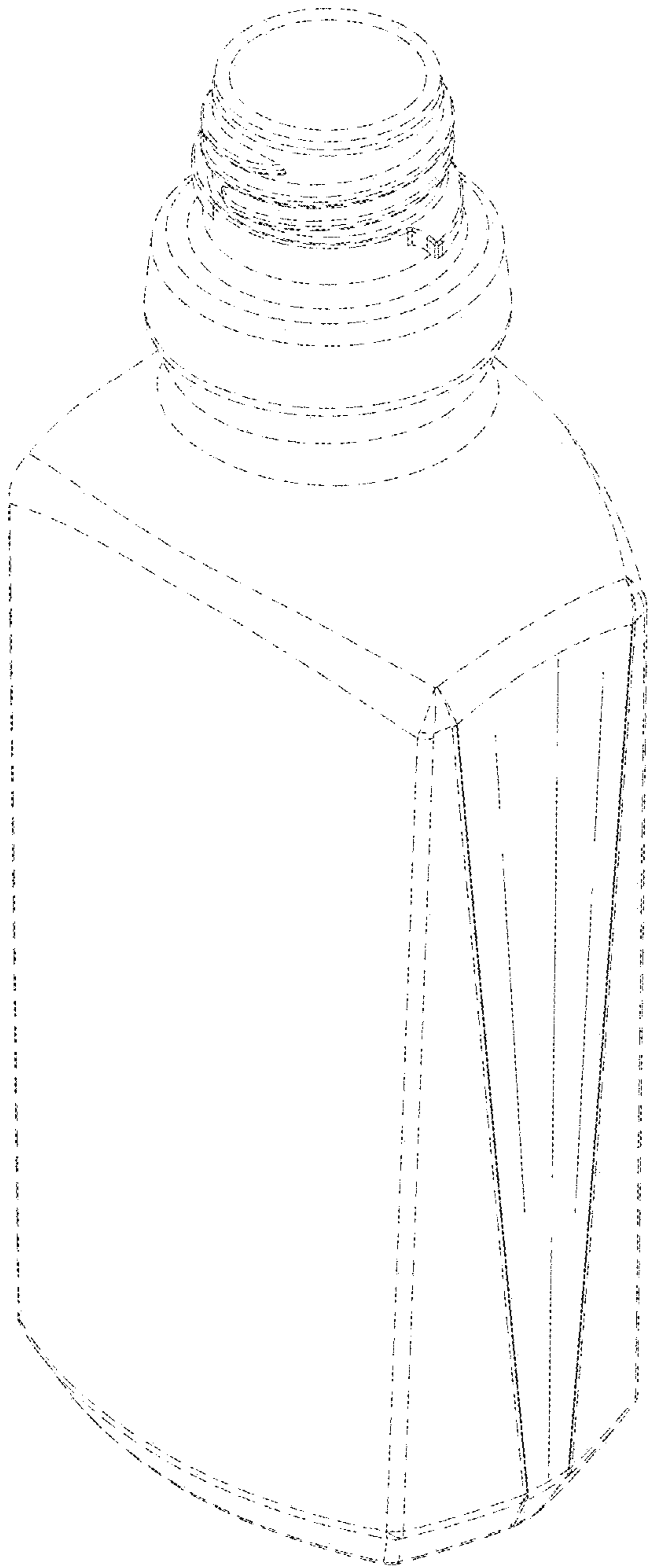


FIG. 1

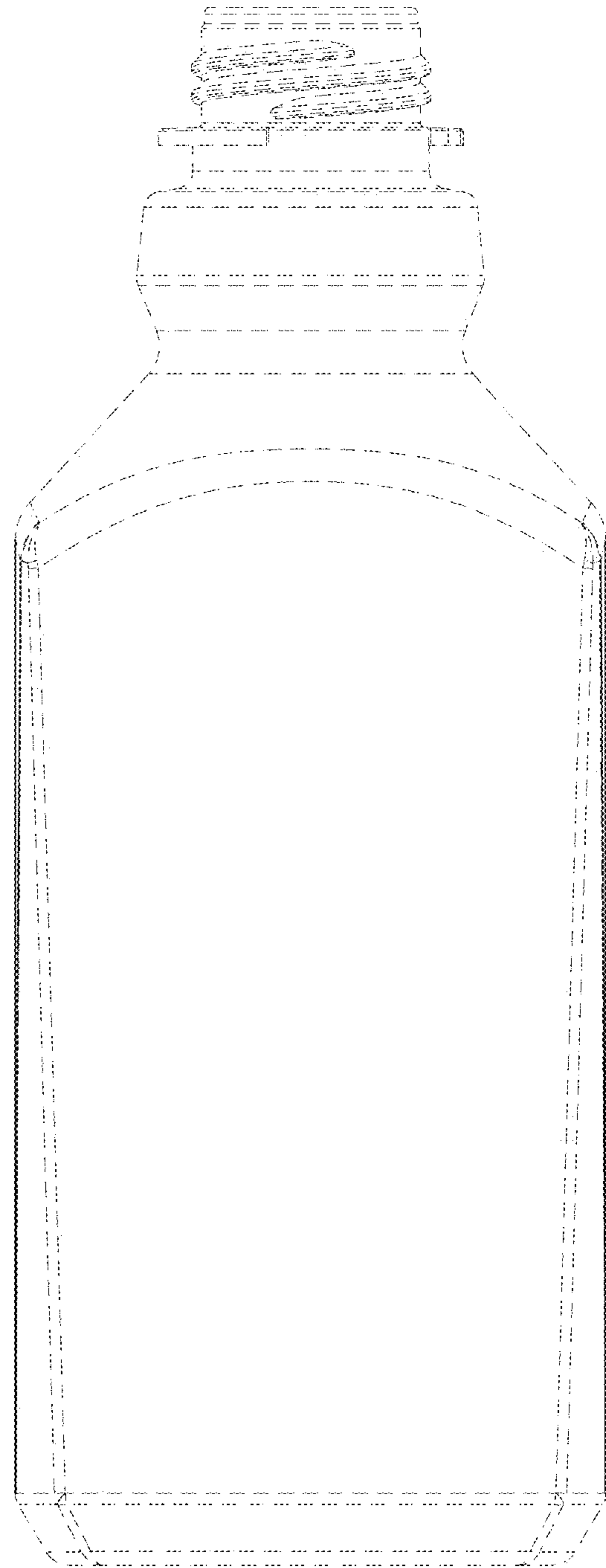


FIG. 2

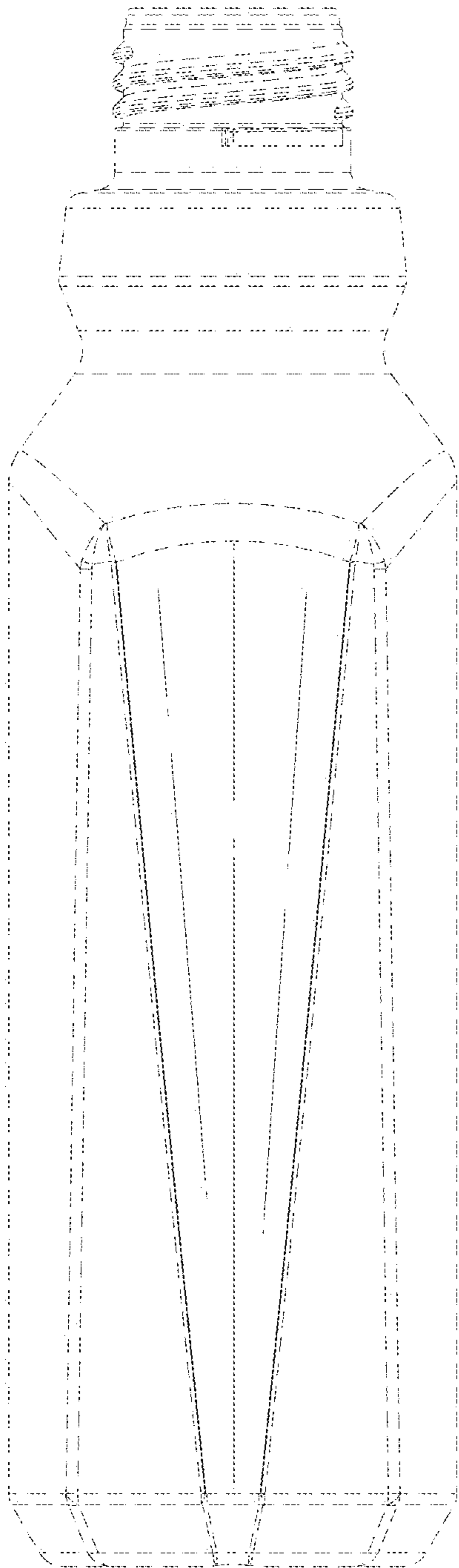


FIG. 3

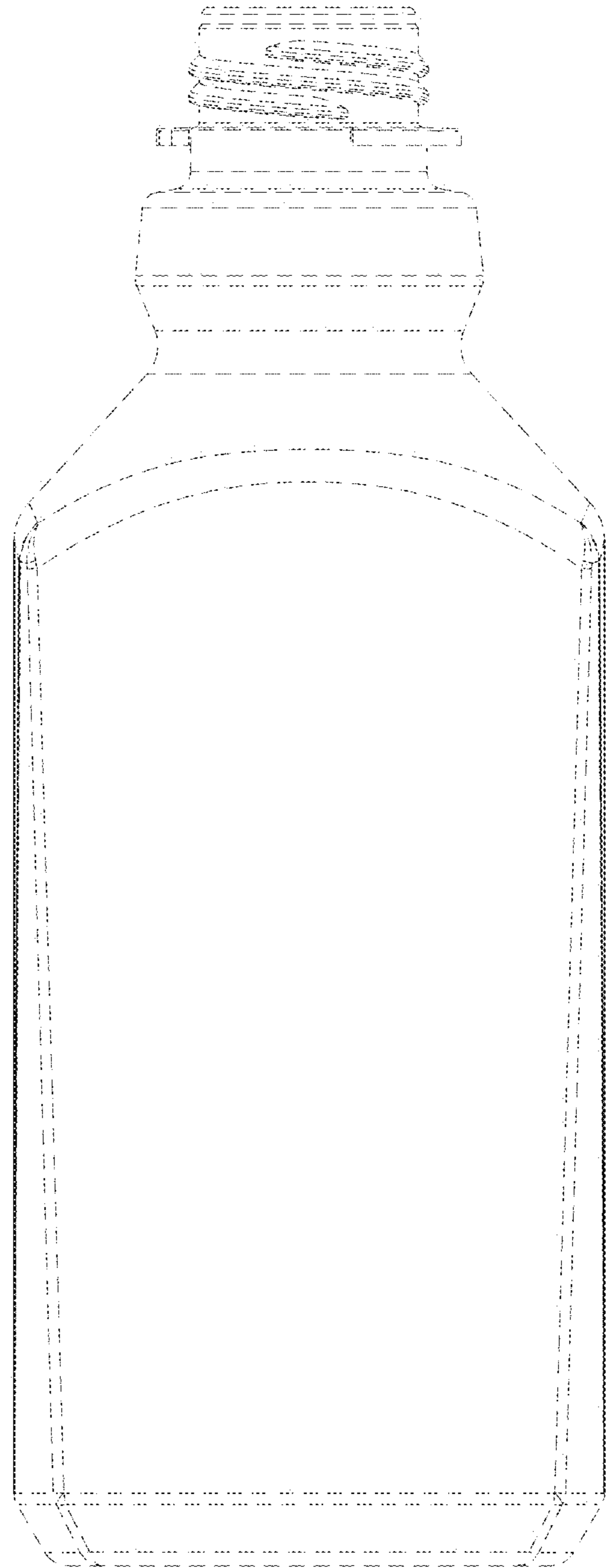


FIG. 4

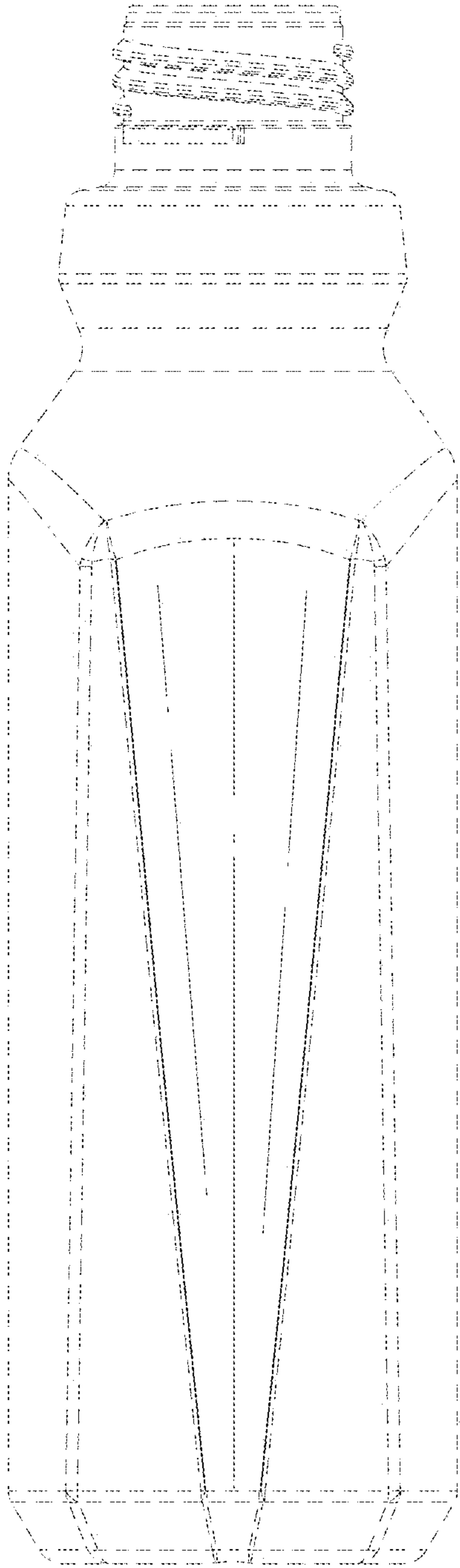


FIG. 5

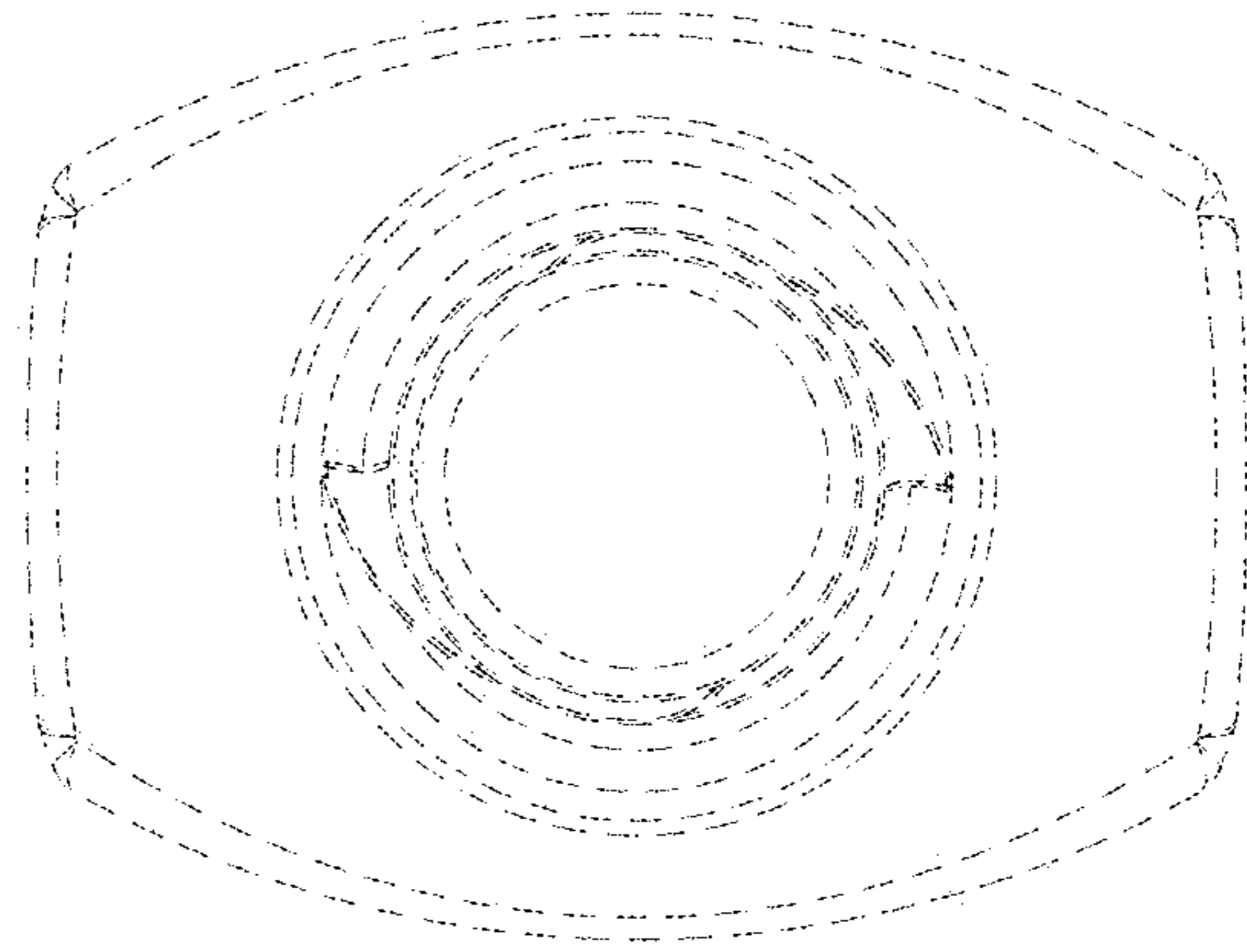


FIG. 6

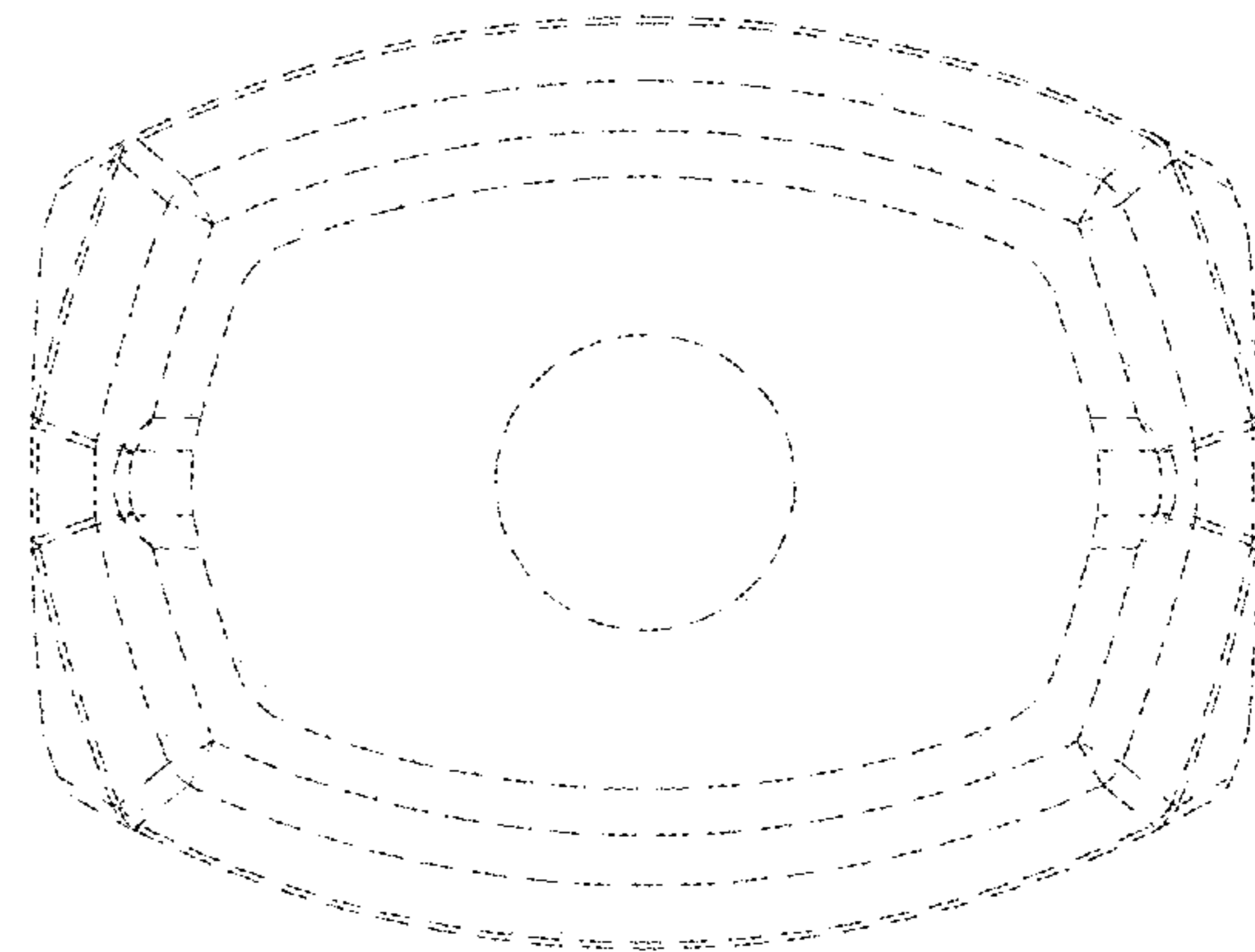


FIG. 7

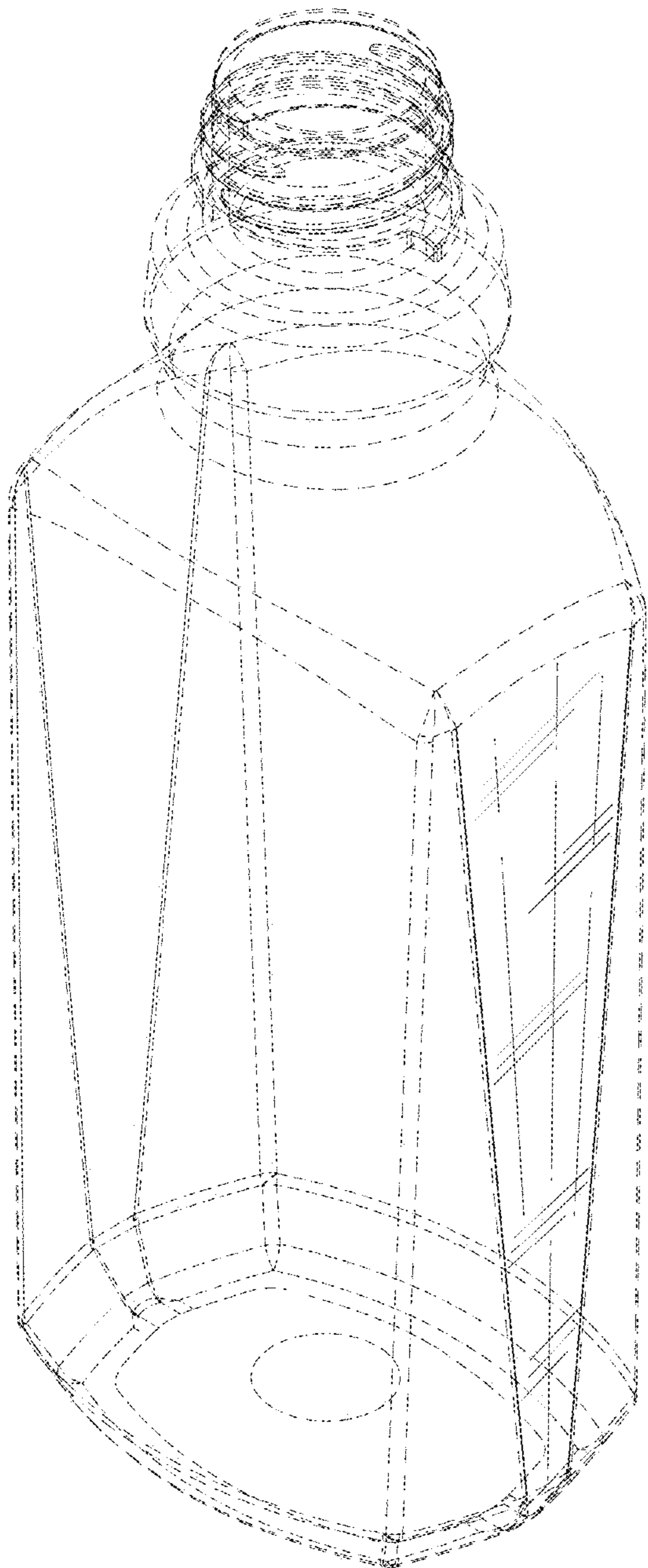


FIG. 8

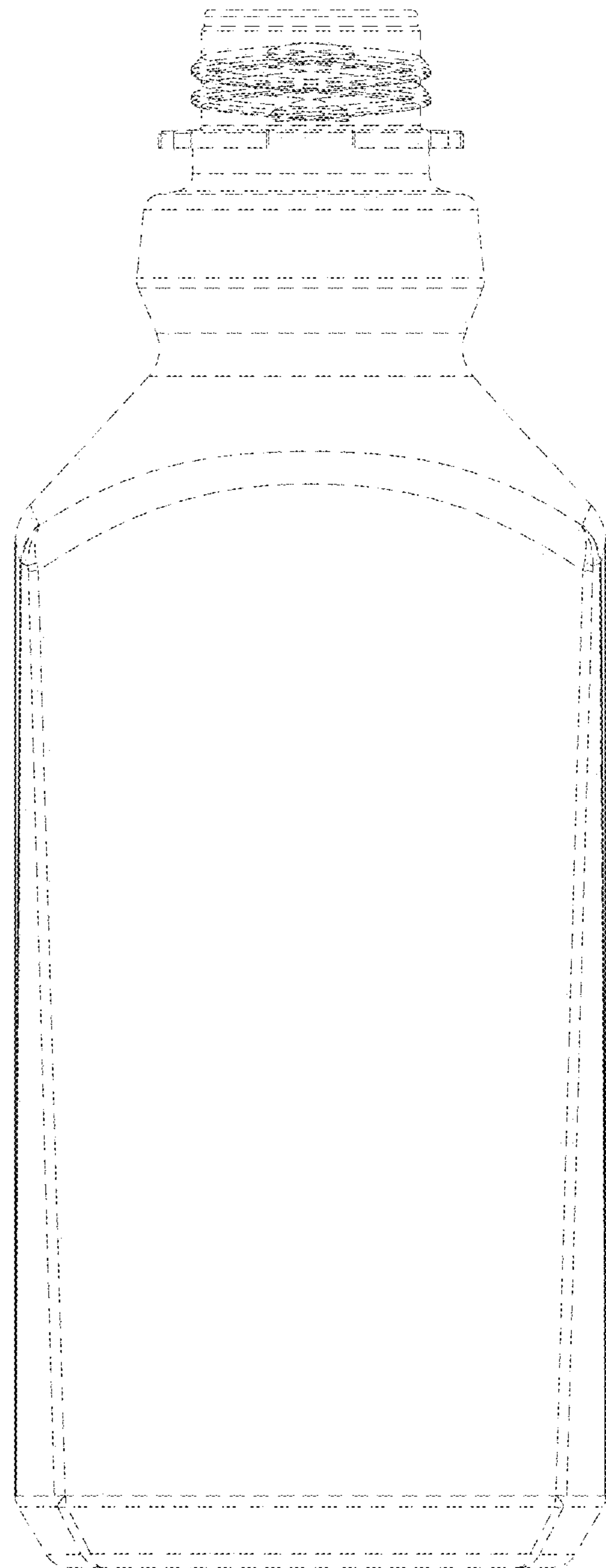


FIG. 9

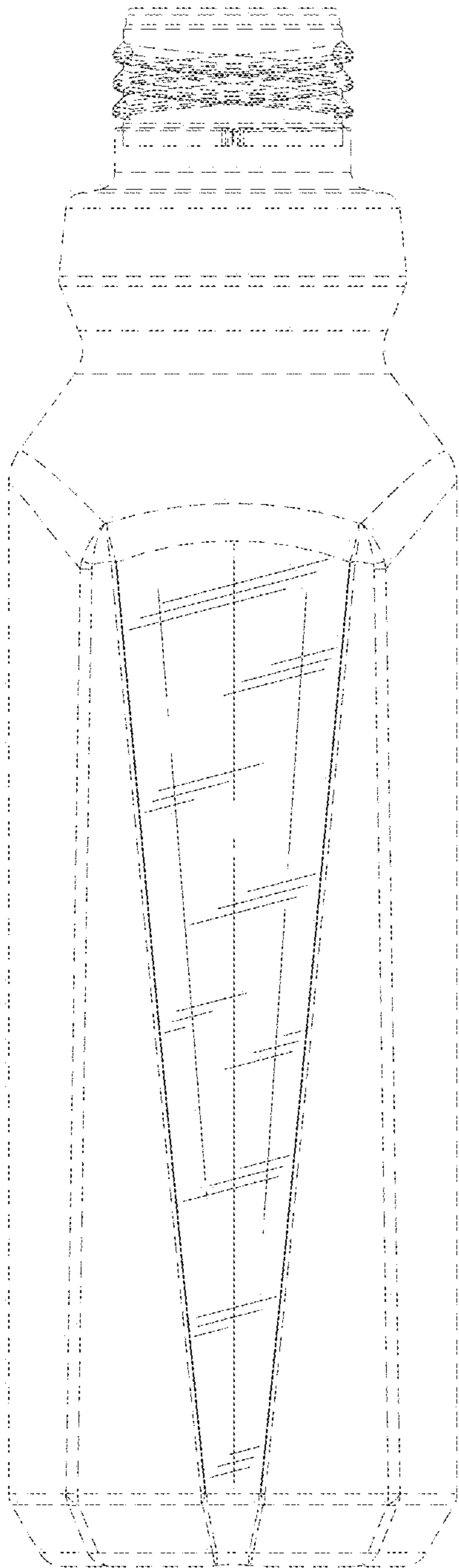


FIG. 10

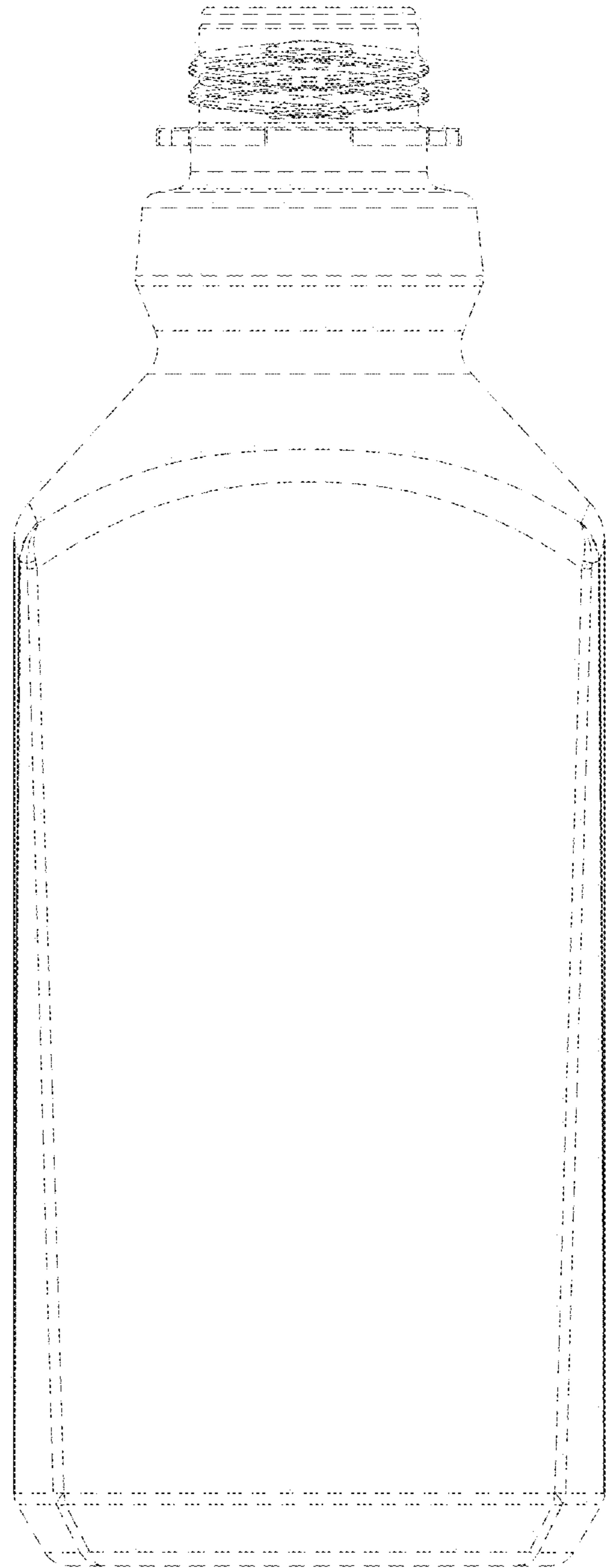


FIG. 11

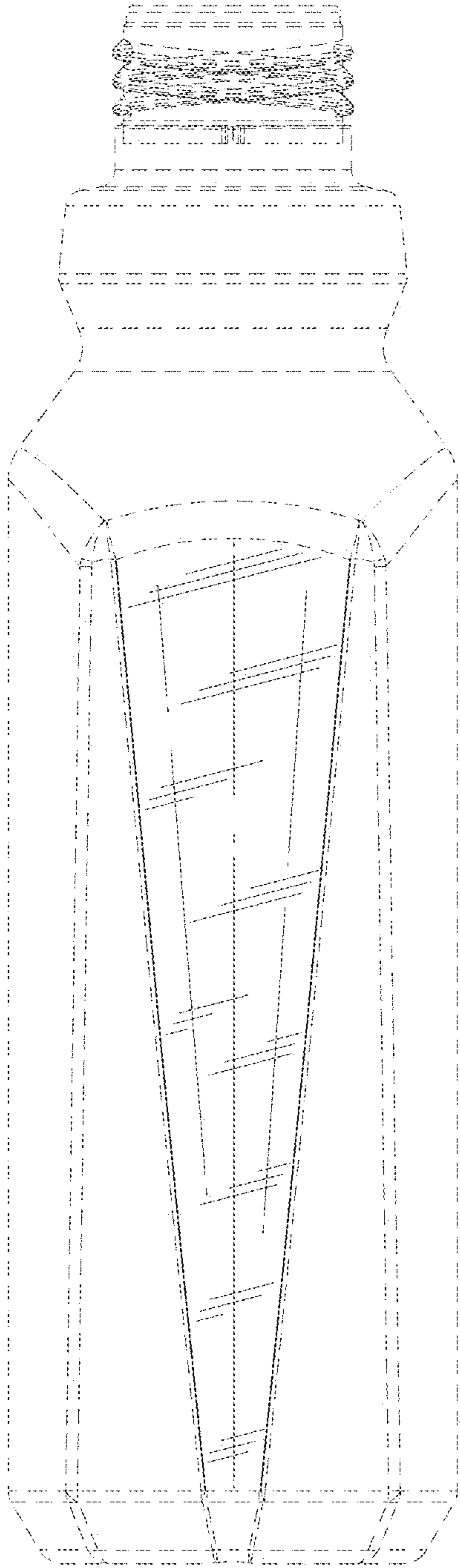


FIG. 12

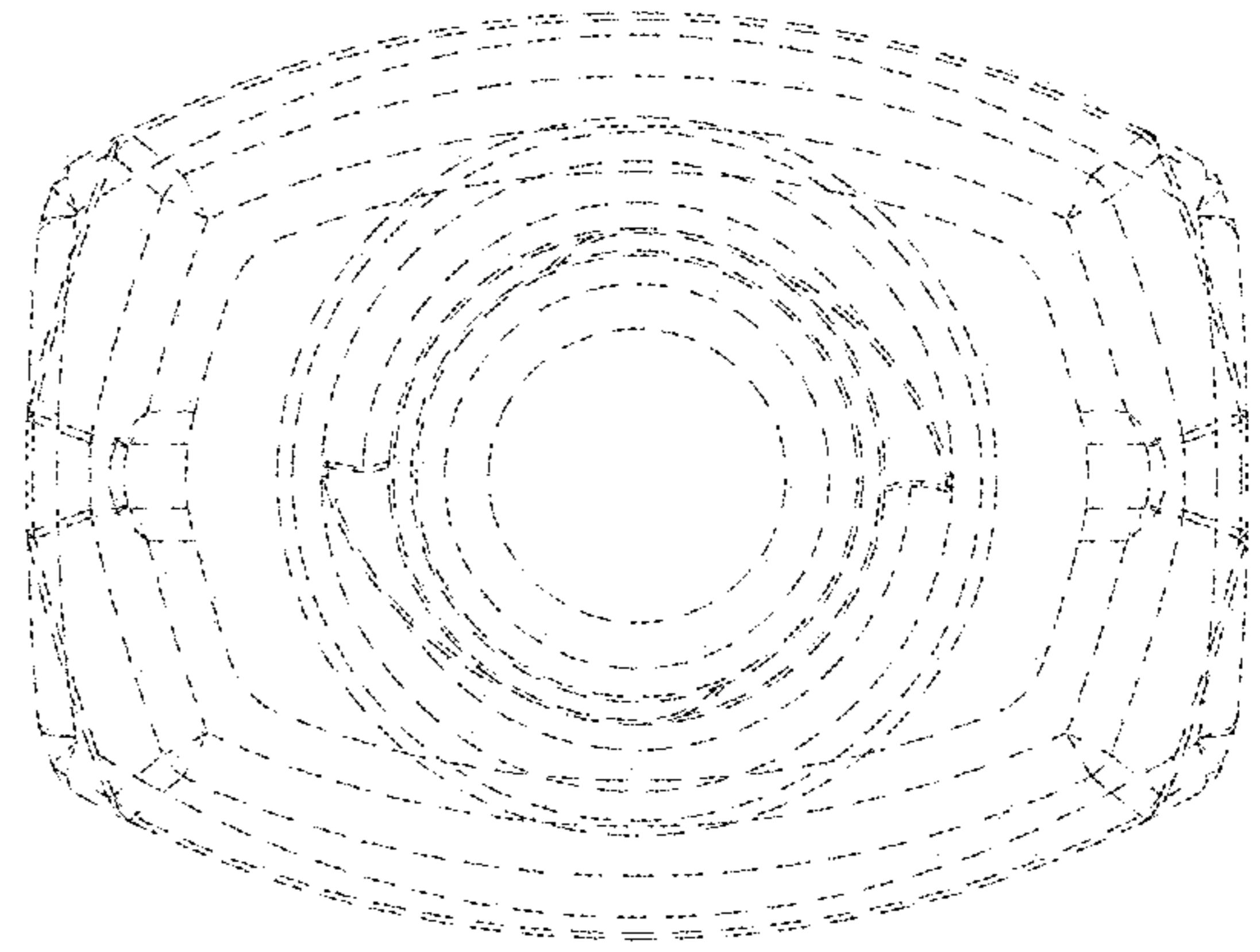


FIG. 13

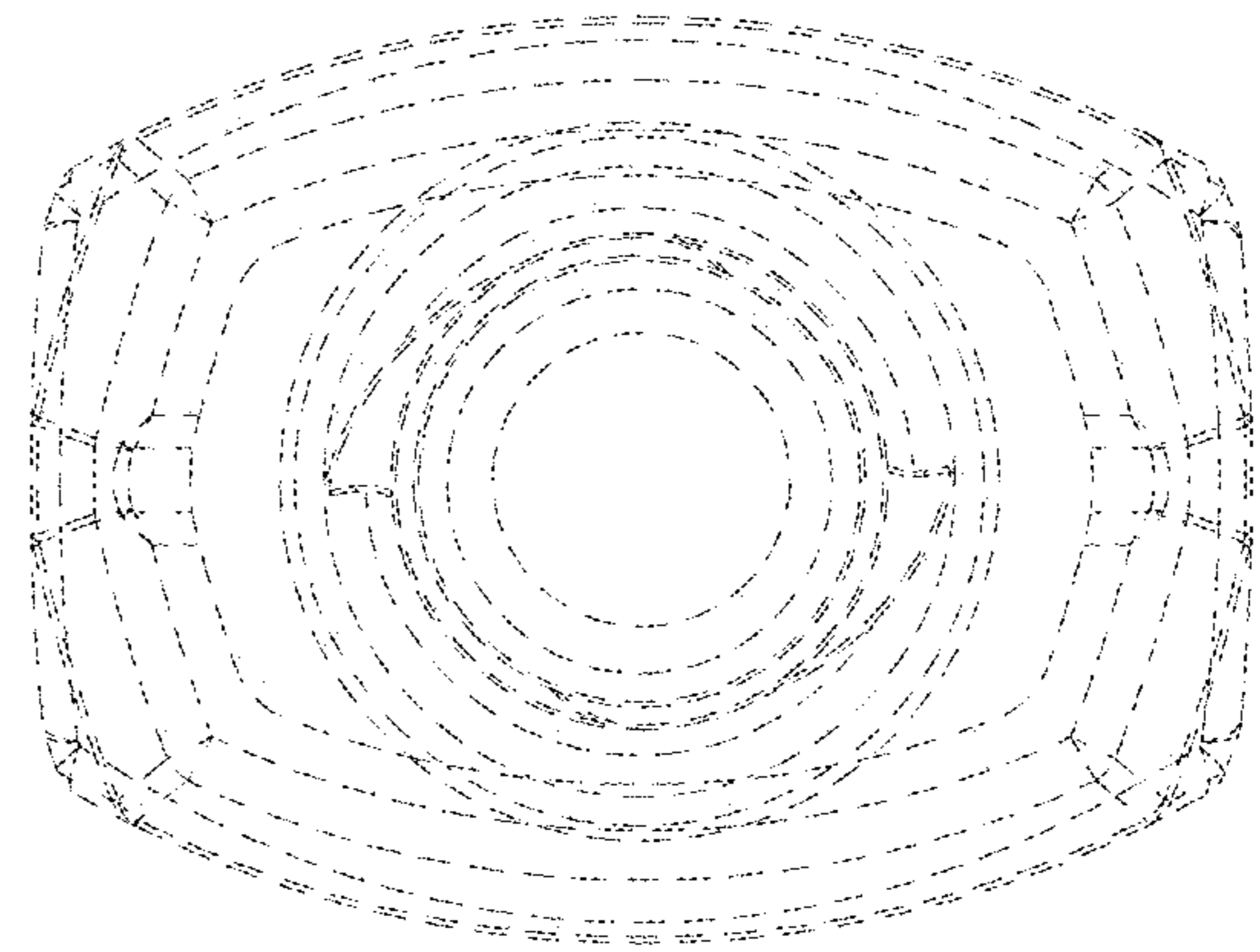


FIG. 14