



US00D938278S

(12) **United States Design Patent**
Johnson

(10) **Patent No.:** **US D938,278 S**
(45) **Date of Patent:** **** Dec. 14, 2021**

(54) **HOLDER FOR BOX LID OR THE LIKE**

(71) Applicant: **Bruce Johnson**, Carson City, NV (US)

(72) Inventor: **Bruce Johnson**, Carson City, NV (US)

(**) Term: **15 Years**

(21) Appl. No.: **29/760,443**

(22) Filed: **Dec. 1, 2020**

(51) **LOC (13) Cl.** **09-07**

(52) **U.S. Cl.**
USPC **D9/455**; D6/682.3

(58) **Field of Classification Search**
USPC D9/434, 455, 456, 457, 499, 501, 517,
D9/739; D6/310, 312, 512, 513;
D19/32, 75, 91, 102, 113, 114; D20/19
CPC A47F 1/00; A47F 3/00; A47F 3/14; A47F
3/142; A47F 5/10; A47F 5/11; A47F
5/112; A47F 5/114; A47F 7/14; A63F
1/10; A63F 9/10; A63F 9/1044; B42D
5/00; B42D 5/04; B42D 5/043; B65D
5/00; B65D 5/52; B65D 5/5206; G10G
5/00

See application file for complete search history.

(56) **References Cited**

U.S. PATENT DOCUMENTS

- 433,635 A * 8/1890 Turck B42D 5/043
D19/20
- 1,415,224 A * 5/1922 Dickmeyer A47F 5/112
248/459
- 1,653,696 A * 12/1927 Clayton B65D 43/24
40/313
- 2,079,370 A * 5/1937 Durkin B65D 5/5206
D19/20
- 2,277,494 A * 3/1942 Loewenstein A47B 23/046
248/459
- 2,648,931 A 8/1953 Deveau

(Continued)

FOREIGN PATENT DOCUMENTS

GB 2506492 A 4/2014

OTHER PUBLICATIONS

https://www.etsy.com/listing/775230642/puzzle-box-stand-puzzle-lid-holder-game?ga_order=most_relevant&ga_search_type=all&ga_view_type=gallery&ga_search_query=puzzle+stand&ref=sr_gallery-1-11&col=1, published at least from Sep. 9, 2021, printed on Sep. 17, 2021.

(Continued)

Primary Examiner — Wendy L Arminio

(74) *Attorney, Agent, or Firm* — Cowan, Liebowitz & Latman, P.C.; Anastasia Zhadina

(57) **CLAIM**

The ornamental design for a holder for box lid or the like, as shown and described.

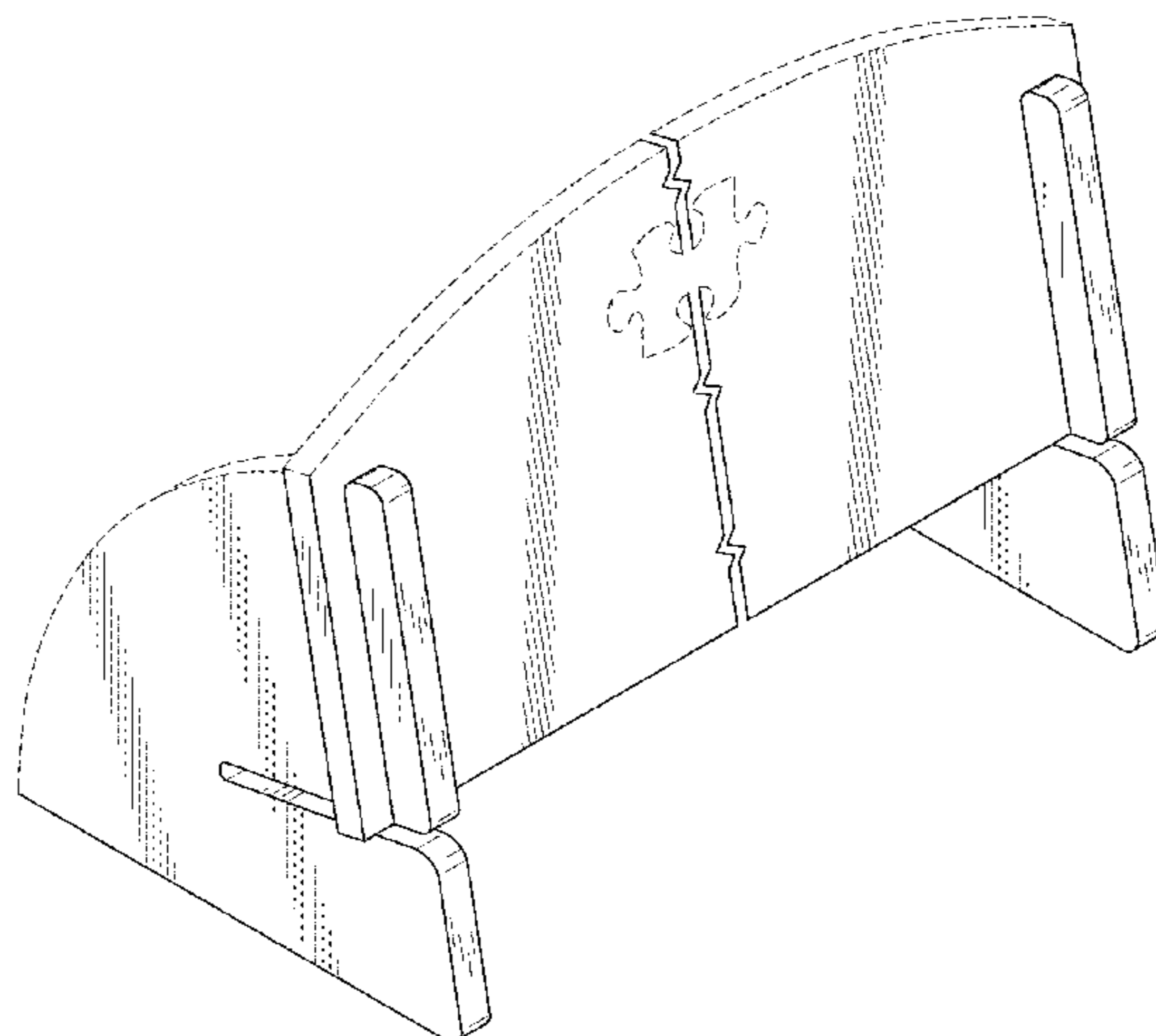
DESCRIPTION

FIG. 1 is a front perspective view of the holder for box lid or the like in an assembled state, showing my design; FIG. 2 is a front view thereof; FIG. 3 is a rear view thereof; FIG. 4 is a top view thereof; FIG. 5 is bottom view thereof; FIG. 6 is a left-side view thereof; FIG. 7 is a right-side view thereof; FIG. 8 is a front view thereof in a disassembled state; and, FIG. 9 is a front perspective view of the holder for box lid or the like of FIG. 1 shown in a position of use with an unclaimed box lid drawn in broken lines.

The broken lines in FIG. 9 illustrating a box lid depict environment and form no part of the claimed design. All other broken lines depict portions of the holder for box lid or the like that form no part of the claimed design.

The jagged break lines in the center region of the central support element of the holder for box lid or the like and the jagged break lines in the vertical slots in the support element and the two side elements indicate that no portion of the article beyond what is shown forms part of the claimed design.

1 Claim, 6 Drawing Sheets



(56)

References Cited

U.S. PATENT DOCUMENTS

2,676,777 A * 4/1954 Moushon G09F 1/06
248/463
3,282,437 A * 11/1966 Hansen A47F 7/0064
D6/682.4
4,378,102 A 3/1983 Portis, Jr. et al.
D284,875 S * 7/1986 Howard D19/114
D296,843 S * 7/1988 Jessop D6/314
D321,799 S * 11/1991 Marvy D6/682.3
5,472,098 A 12/1995 Ho
5,973,244 A * 10/1999 McCulloch G10G 5/00
D19/91
5,974,707 A * 11/1999 Kowalczyk G09F 7/18
211/189
6,435,503 B1 8/2002 Laughlin
6,819,548 B2 11/2004 Hillis et al.
6,966,447 B2 11/2005 Hiltke et al.
D643,223 S 8/2011 Harding
D696,031 S * 12/2013 Pitts Brown D6/310

D704,968 S * 5/2014 Steger D6/682.4
D812,475 S * 3/2018 Kauffman D9/455
D902,719 S * 11/2020 Dwork D9/456
D919,704 S * 5/2021 Farhi D19/114
2004/0188588 A1 * 9/2004 Smith A47B 23/044
248/459
2007/0045145 A1 * 3/2007 Killinger G09F 1/14
206/499

OTHER PUBLICATIONS

<https://darklylabs.zendesk.com/hc/en-us/community/posts/360005434236-Jigsaw-Puzzle-Box-Lid-Stand>, (5 pages total), printed on Sep. 17, 2021.
https://www.etsy.com/listing/799903767/game-night-tabletop-board-game-box?ga_order=most_relevant&ga_search_type=all&ga_view_type=gallery&ga_search_query=puzzle+stand&ref=sr_gallery-1-20&cns=1&col=1, (13 pages total) published at least from Aug. 24, 2021, printed on Sep. 17, 2021.

* cited by examiner

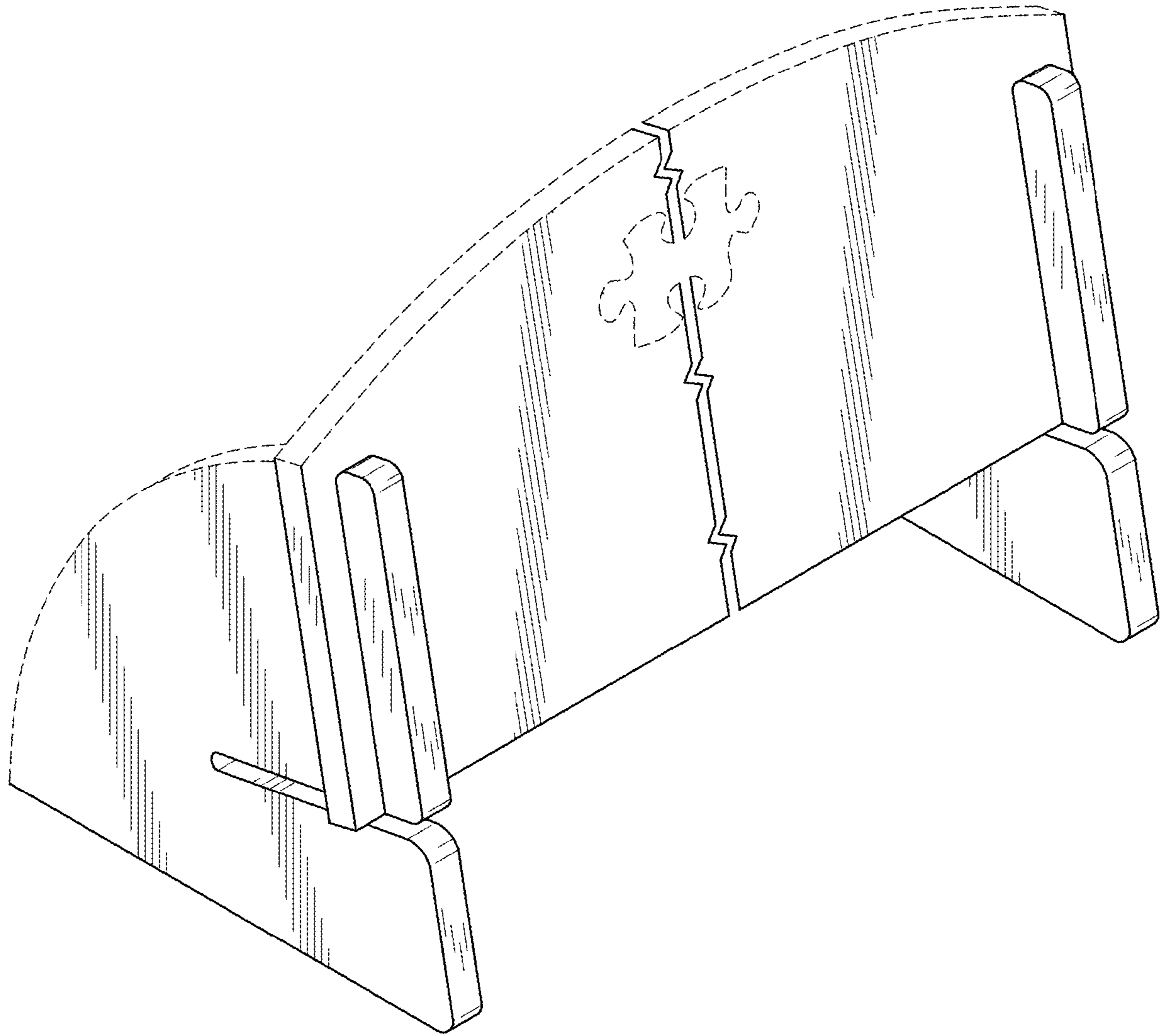


FIG. 1

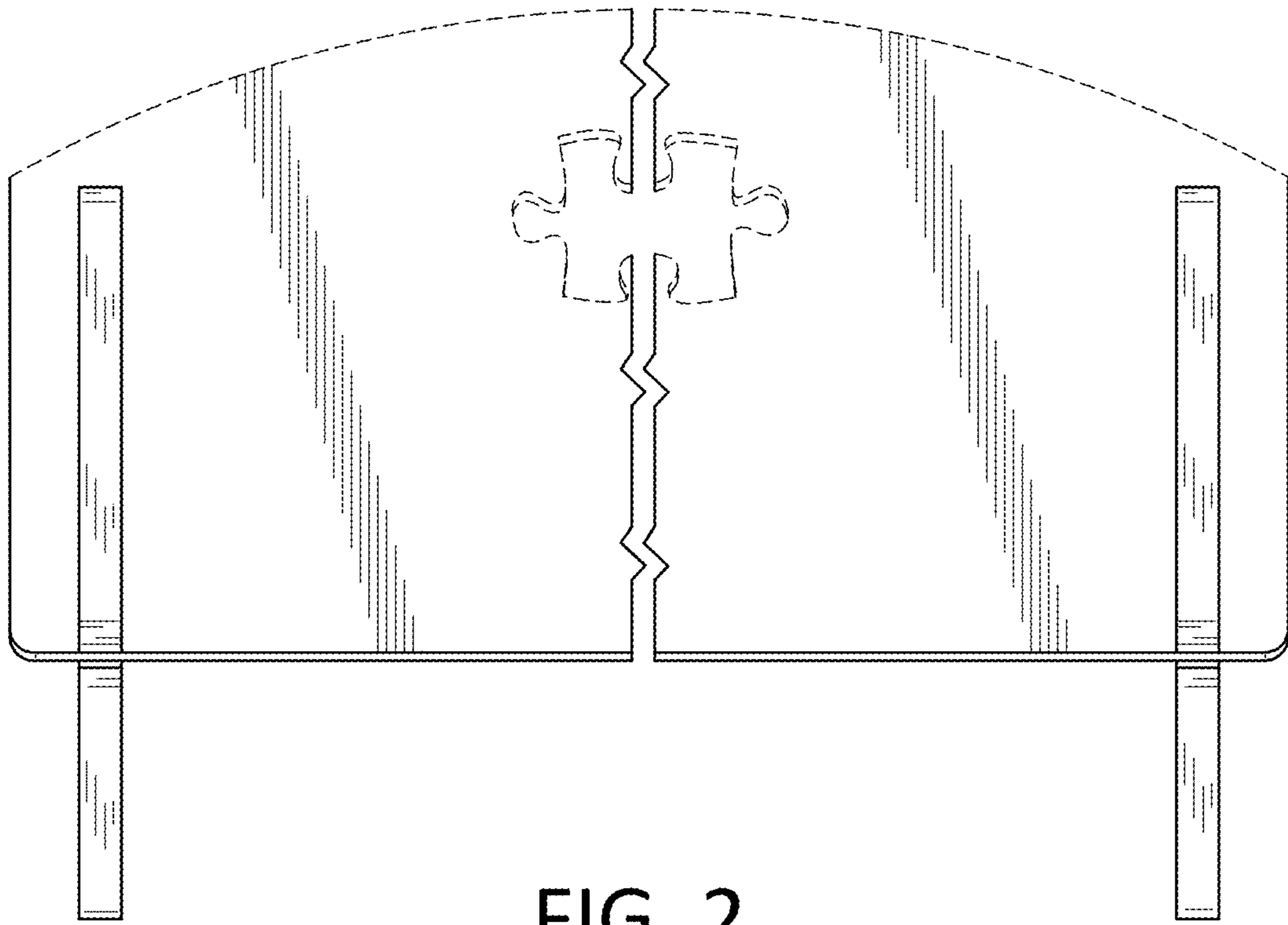


FIG. 2

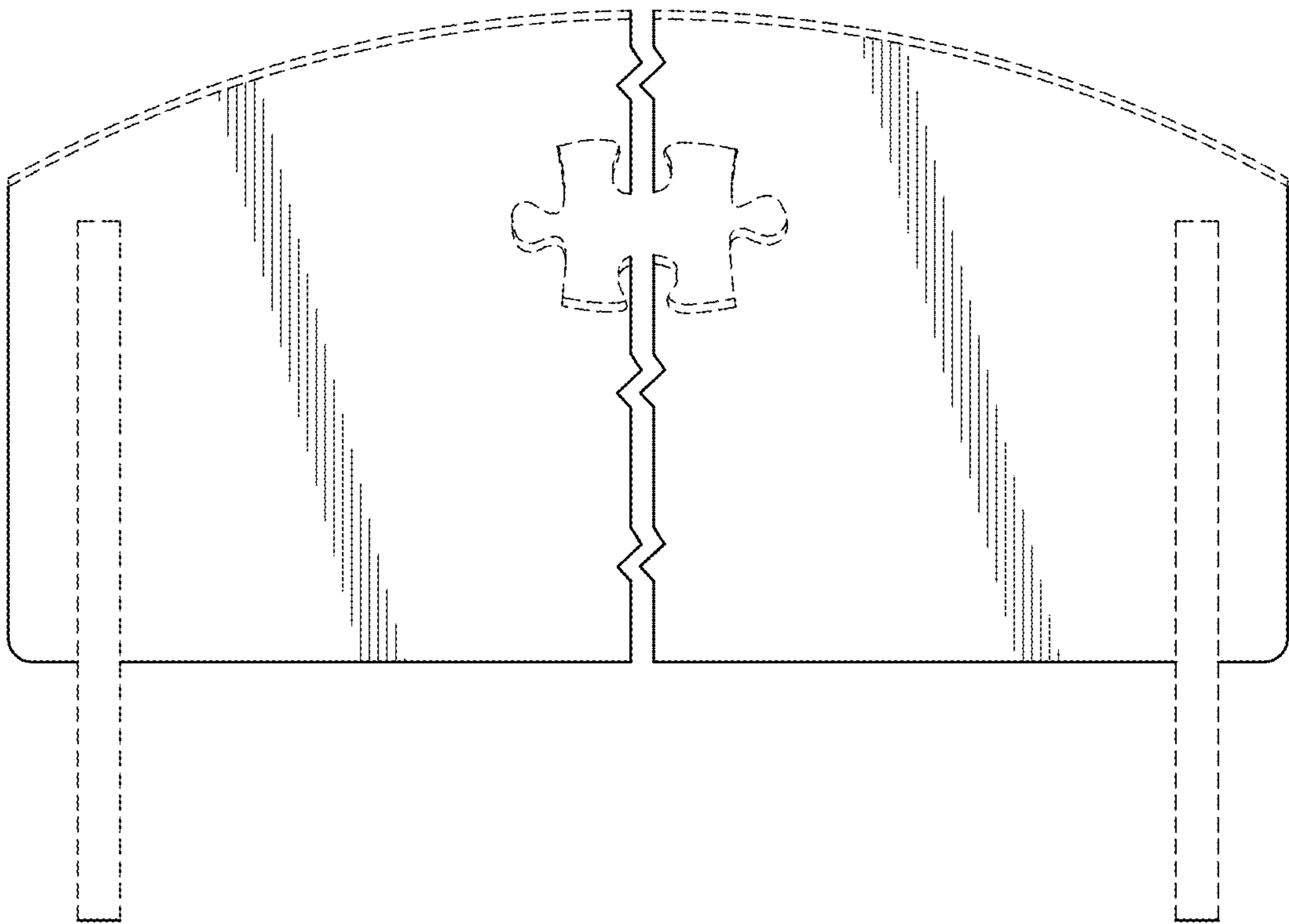


FIG. 3

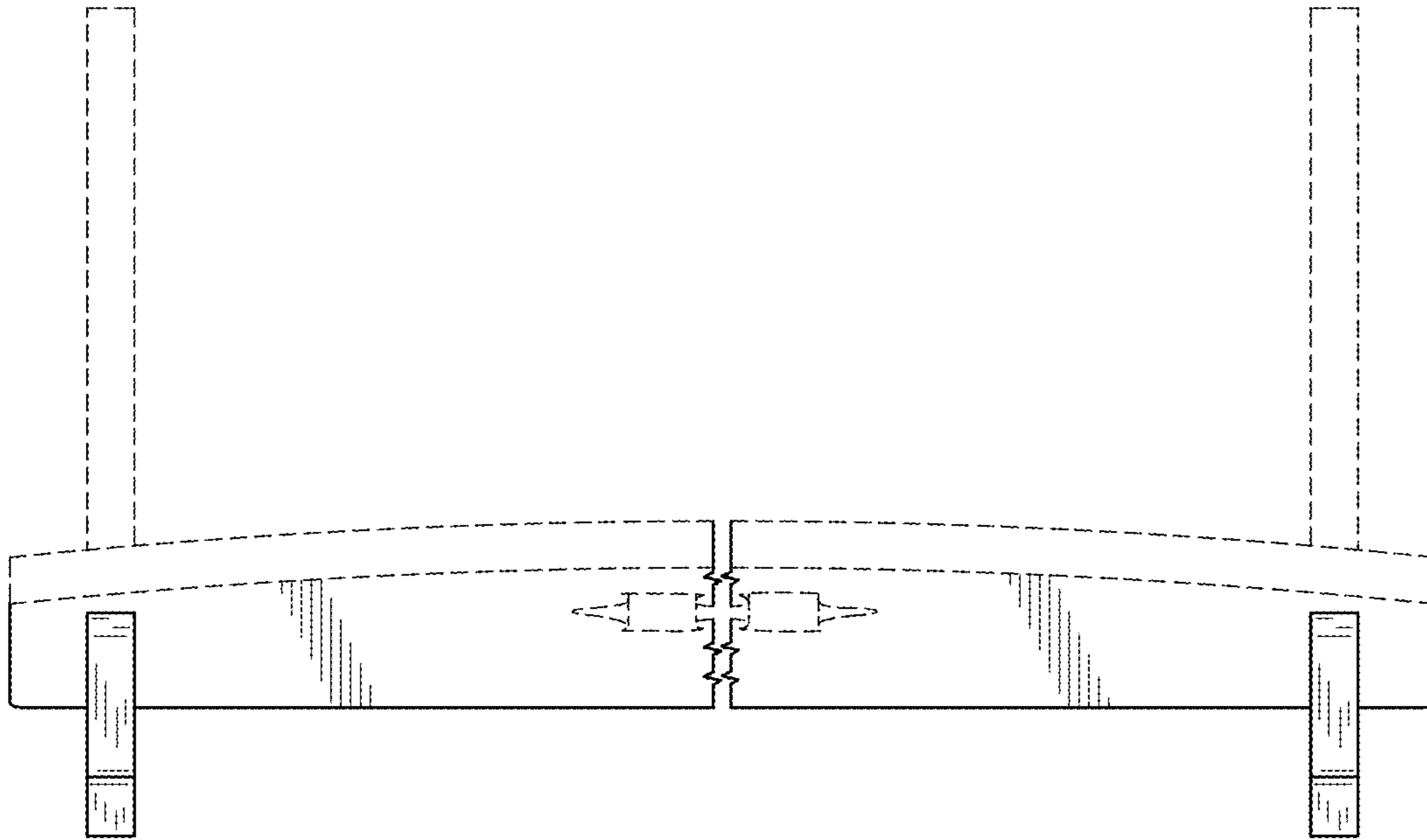


FIG. 4

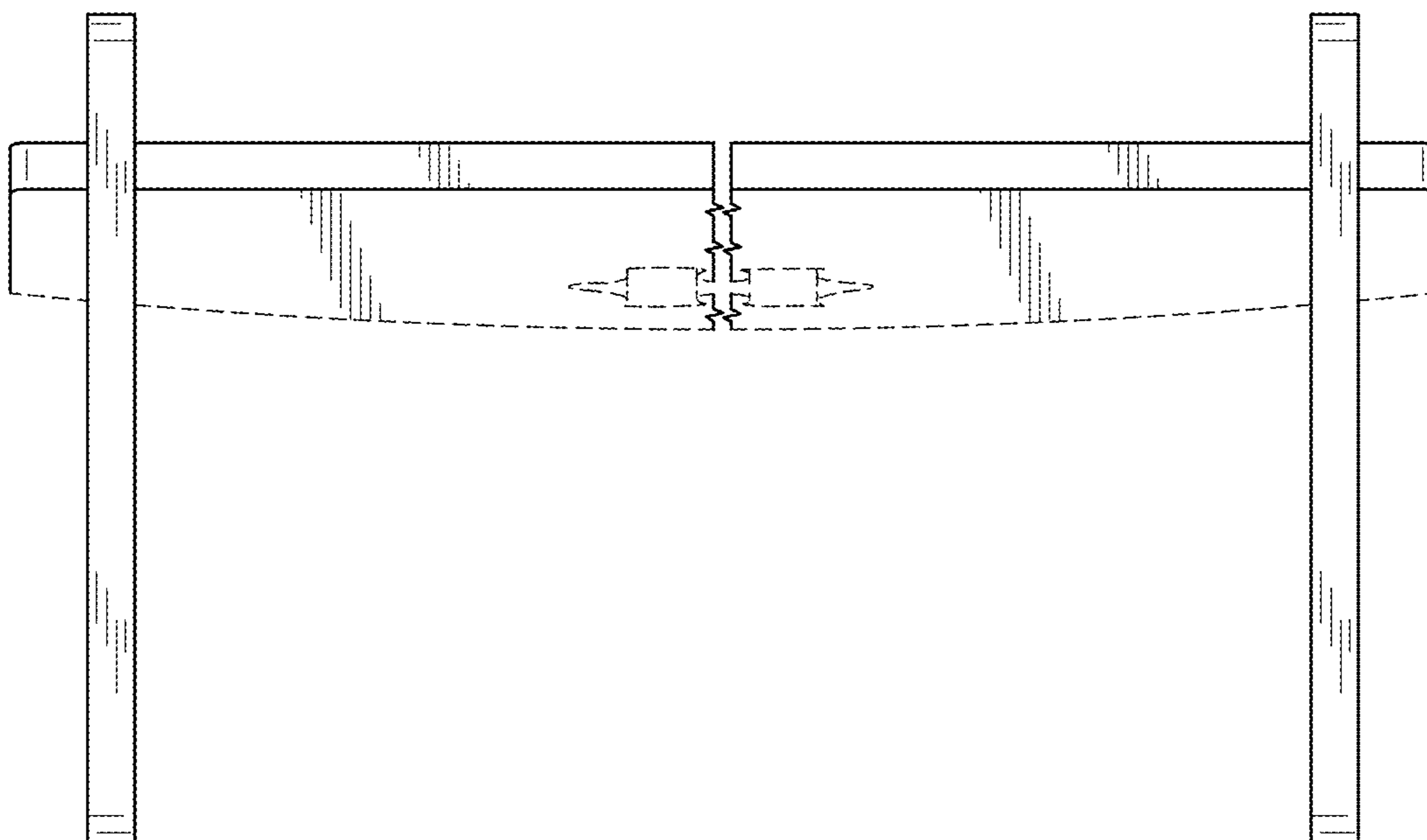


FIG. 5

FIG. 6

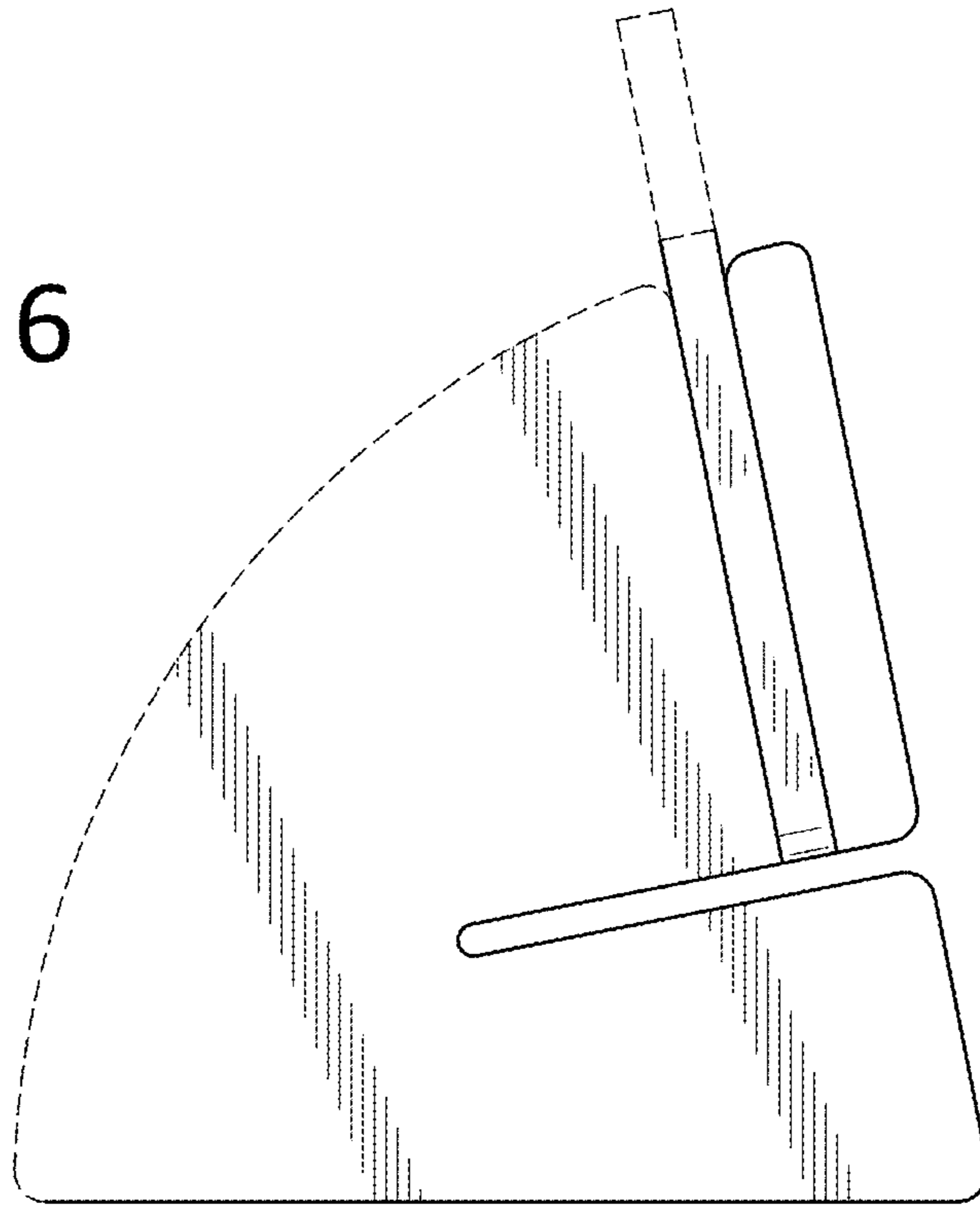
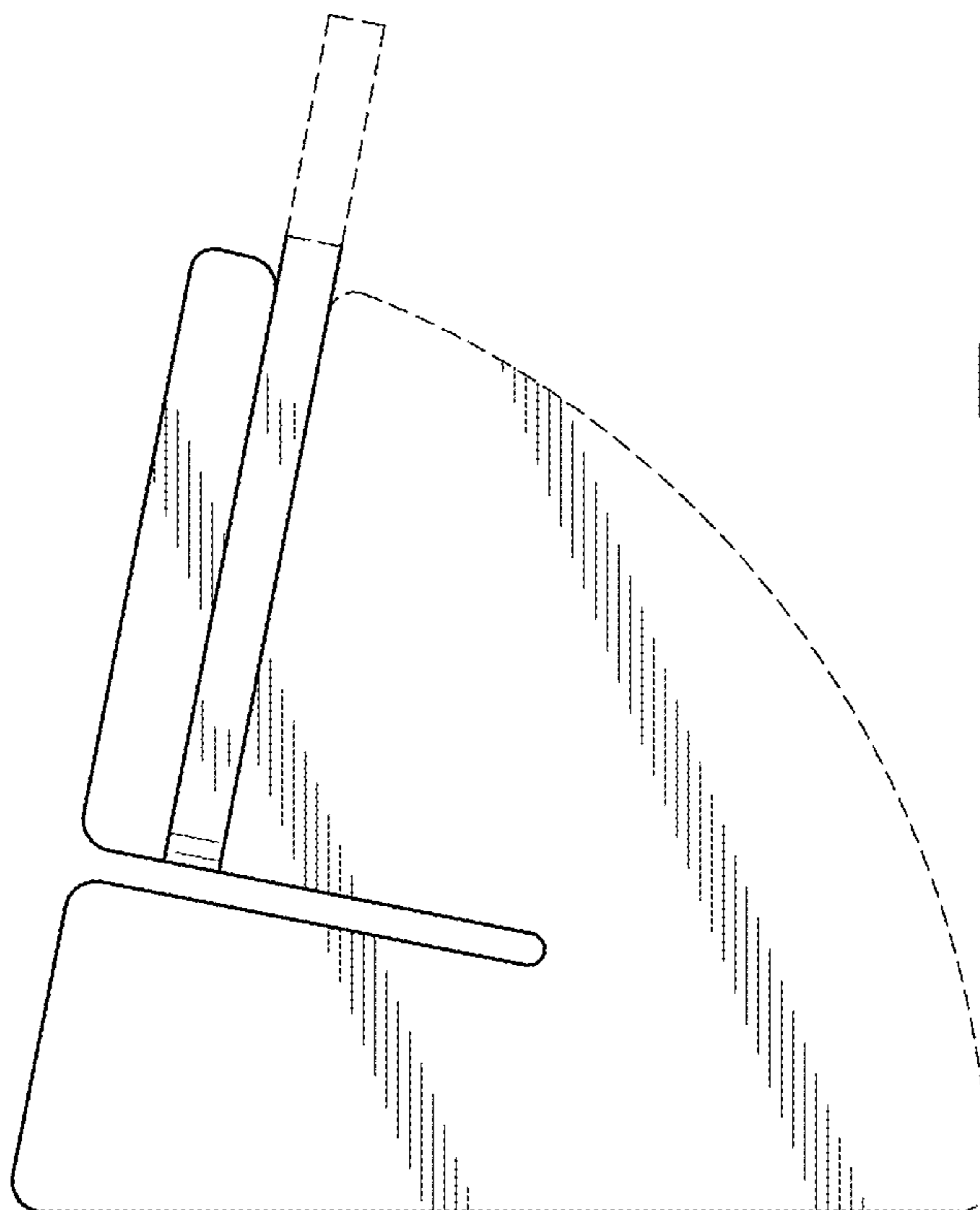


FIG. 7



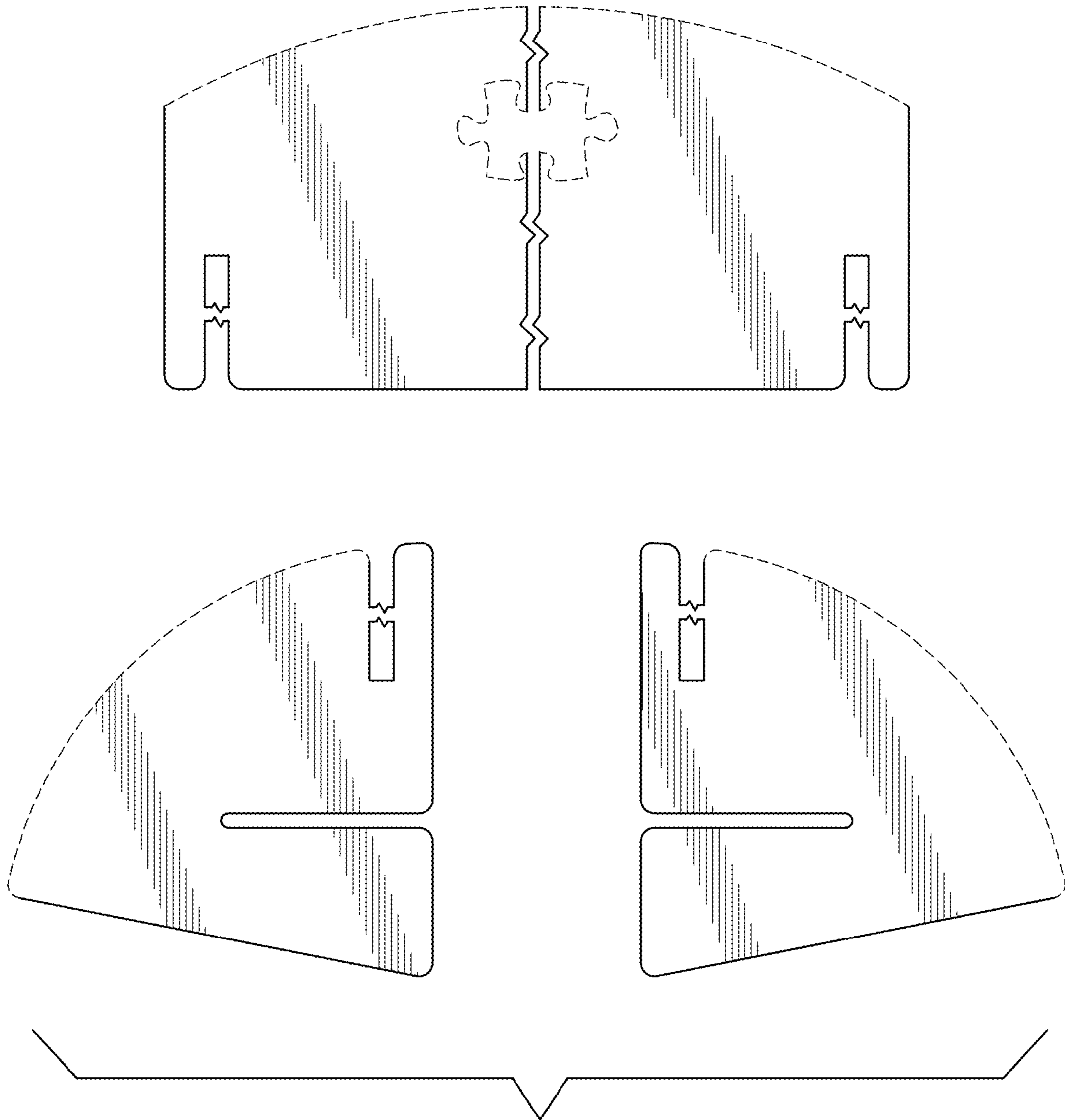


FIG. 8

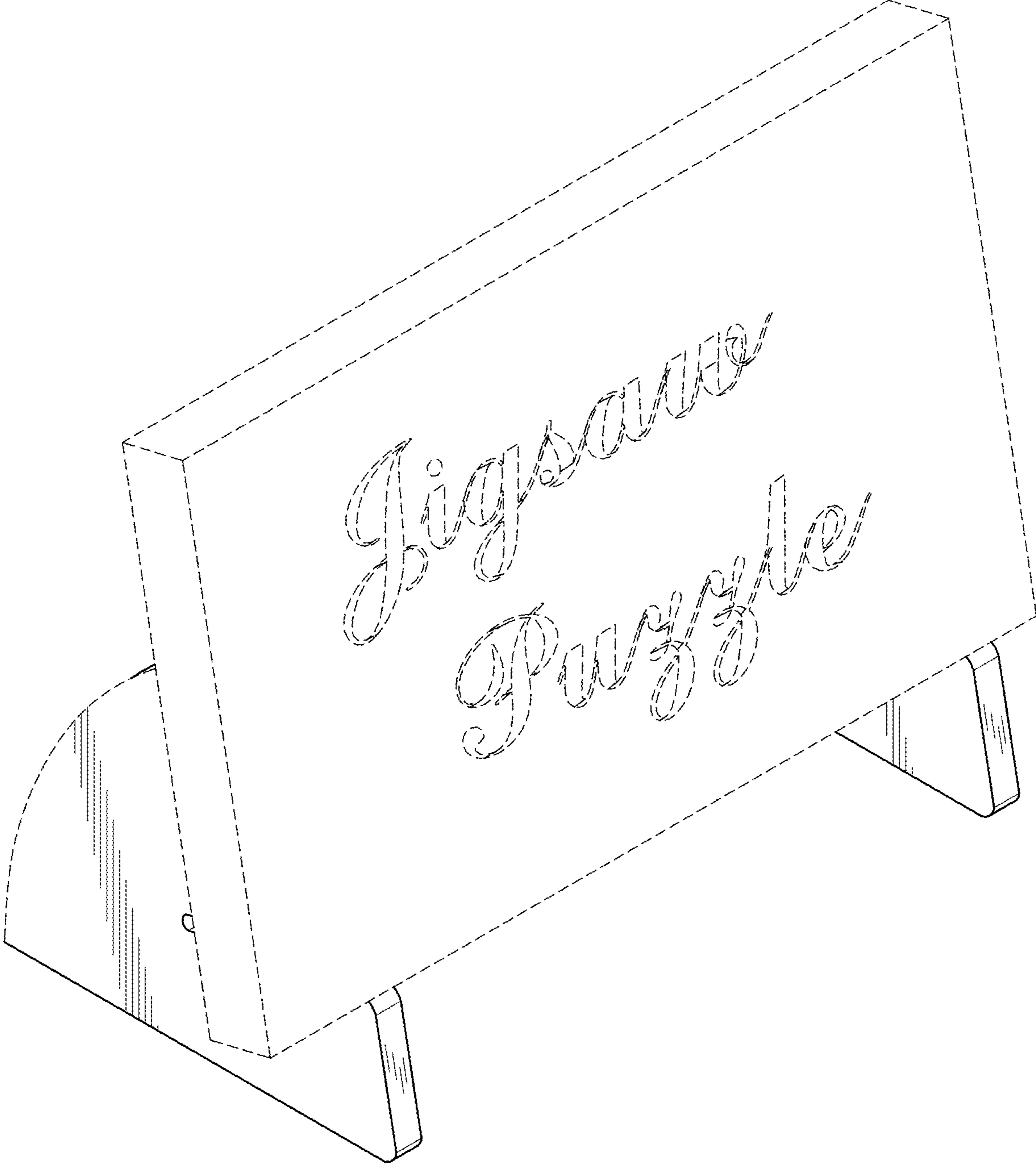


FIG. 9