



US00D938274S

(12) **United States Design Patent** (10) **Patent No.:** **US D938,274 S**
Bontrager et al. (45) **Date of Patent:** **** Dec. 14, 2021**

- (54) **FOOD CONTAINER**
- (71) Applicant: **Zume, Inc.**, Camarillo, CA (US)
- (72) Inventors: **Rick Bontrager**, Mountain View, CA (US); **Randall Strange**, Manteca, CA (US)
- (73) Assignee: **ZUME, INC.**, Camarillo, CA (US)
- (**) Term: **15 Years**
- (21) Appl. No.: **29/725,148**
- (22) Filed: **Feb. 21, 2020**
- (51) **LOC (13) Cl.** **09-03**
- (52) **U.S. Cl.**
USPC **D9/425**
- (58) **Field of Classification Search**
USPC D7/601, 602; D9/420, 425-432, 737, D9/761
CPC ... B65D 1/00; B65D 1/26; B65D 1/34; B65D 1/40; B65D 11/00; B65D 11/20; B65D 21/00; B65D 21/02; B65D 21/0209; B65D 21/0233; B65D 81/34; B65D 81/3446; B65D 81/3453; B65D 2581/34; B65D 2581/3404; B65D 2581/3409
See application file for complete search history.

D680,860 S 4/2013 Schuler
D683,623 S * 6/2013 Chen D9/426
9,216,849 B2 * 12/2015 Pham B65D 43/162
9,580,219 B2 * 2/2017 Cimmerer B65D 43/16
(Continued)

FOREIGN PATENT DOCUMENTS

EP 1500607 1/2005
EP 2147873 1/2010
(Continued)

OTHER PUBLICATIONS

PCT International Search Report and Written Opinion in International Application PCT/US2020/056658, dated Feb. 23, 2021, 16 pages.
(Continued)

Primary Examiner — Janice Patyk
(74) *Attorney, Agent, or Firm* — Merchant & Gould PC

(57) **CLAIM**

The ornamental design for a food container, as shown and described.

DESCRIPTION

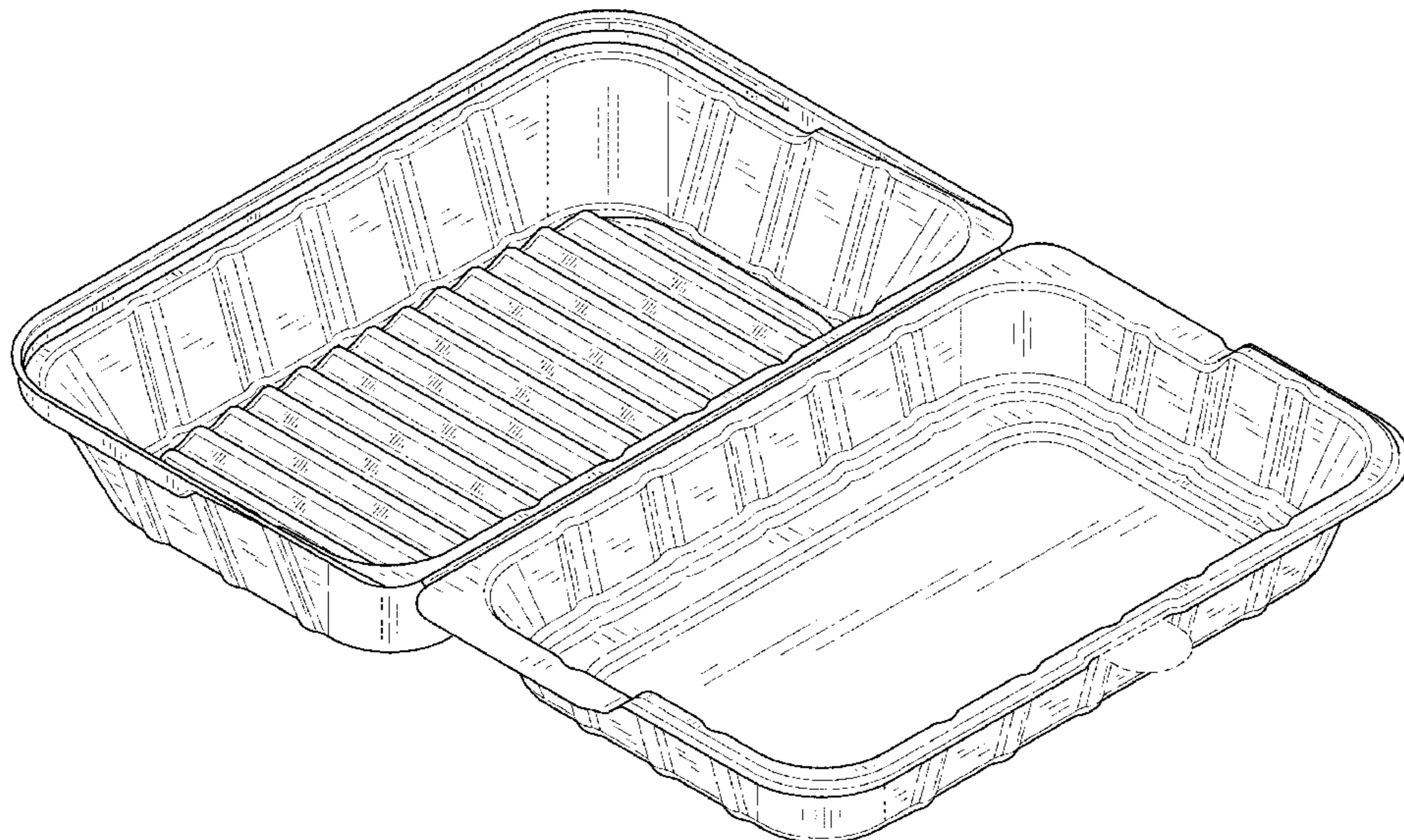
FIG. 1 is a top perspective view of a food container, showing our new design.
FIG. 2 is a bottom perspective view of the food container of FIG. 1.
FIG. 3 is a front view of the food container of FIG. 1.
FIG. 4 is a back view of the food container of FIG. 1.
FIG. 5 is a right side view of the food container of FIG. 1.
FIG. 6 is a left side view of the food container of FIG. 1.
FIG. 7 is a top view of the food container of FIG. 1; and, FIG. 8 is a bottom view of the food container of FIG. 1.
The broken lines depict portions of the food container that form no part of the claimed design.

1 Claim, 8 Drawing Sheets

(56) **References Cited**

U.S. PATENT DOCUMENTS

3,851,789	A	12/1974	Case et al.	
D524,645	S *	7/2006	LaMasney	D9/429
D536,992	S	2/2007	Garg	
7,597,206	B2 *	10/2009	Atkins	B65D 1/36 220/324
D625,995	S *	10/2010	Vovan	D9/429
D657,237	S	4/2012	Allers	
D664,841	S	8/2012	Allers	
D668,536	S *	10/2012	Sanfilippo	D9/425
D668,537	S *	10/2012	Sanfilippo	D9/425
D668,950	S *	10/2012	Sanfilippo	D9/425



(56)

References Cited

OTHER PUBLICATIONS

U.S. PATENT DOCUMENTS

D793,811	S *	8/2017	Ng	D7/540
10,036,126	B2	7/2018	Chung et al.	
D886,595	S	6/2020	Wouters	
D900,639	S	11/2020	Huang	
D910,436	S	2/2021	Krueger	
D924,678	S *	7/2021	Huang	D9/426
2005/0035118	A1	2/2005	Garg	
2005/0061810	A1	3/2005	Norland	
2006/0081641	A1	4/2006	Haberger	
2010/0072217	A1	3/2010	Parikh	
2010/0102074	A1 *	4/2010	Parikh	B65D 41/32 220/810
2012/0031921	A1 *	2/2012	Cadiente	B65D 43/162 220/835
2020/0399017	A1	12/2020	Mueller	
2020/0399018	A1	12/2020	Mueller	
2021/0114779	A1	4/2021	Bontrager	

FOREIGN PATENT DOCUMENTS

EP	3502003	6/2019
WO	2018/212593	11/2018
WO	2021/045195	3/2021

U.S. Appl. No. 29/725,182, Office Action dated Apr. 5, 2021, 6 pages.

U.S. Appl. No. 29/725,183, Notice of Allowance dated Apr. 8, 2021, 10 pages.

U.S. Appl. No. 29/725,185, Office Action dated Apr. 5, 2021, 7 pages.

U.S. Appl. No. 29/725,186, Ex-Parte Quayle Action mailed Apr. 5, 2021, 6 pages.

U.S. Appl. No. 29/725,144, Office Action dated Apr. 5, 2021, 6 pages.

U.S. Appl. No. 29/725,146, Notice of Allowance dated Apr. 12, 2021, 8 pages.

U.S. Appl. No. 29/725,147, Notice of Allowance dated Apr. 12, 2021, 8 pages.

U.S. Appl. No. 29/725,144, Notice of Allowance dated Aug. 3, 2021, 6 pages.

* cited by examiner

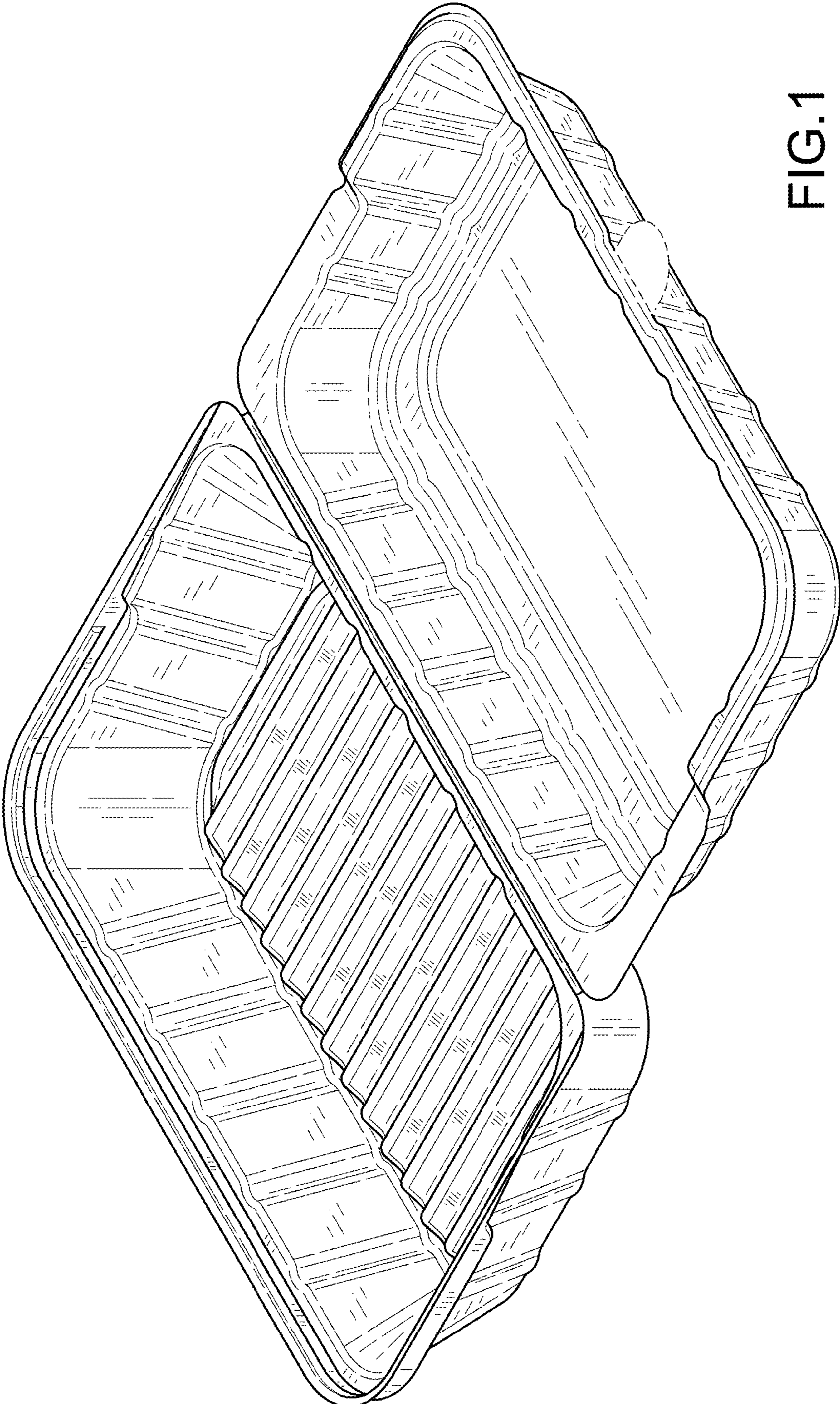


FIG.1

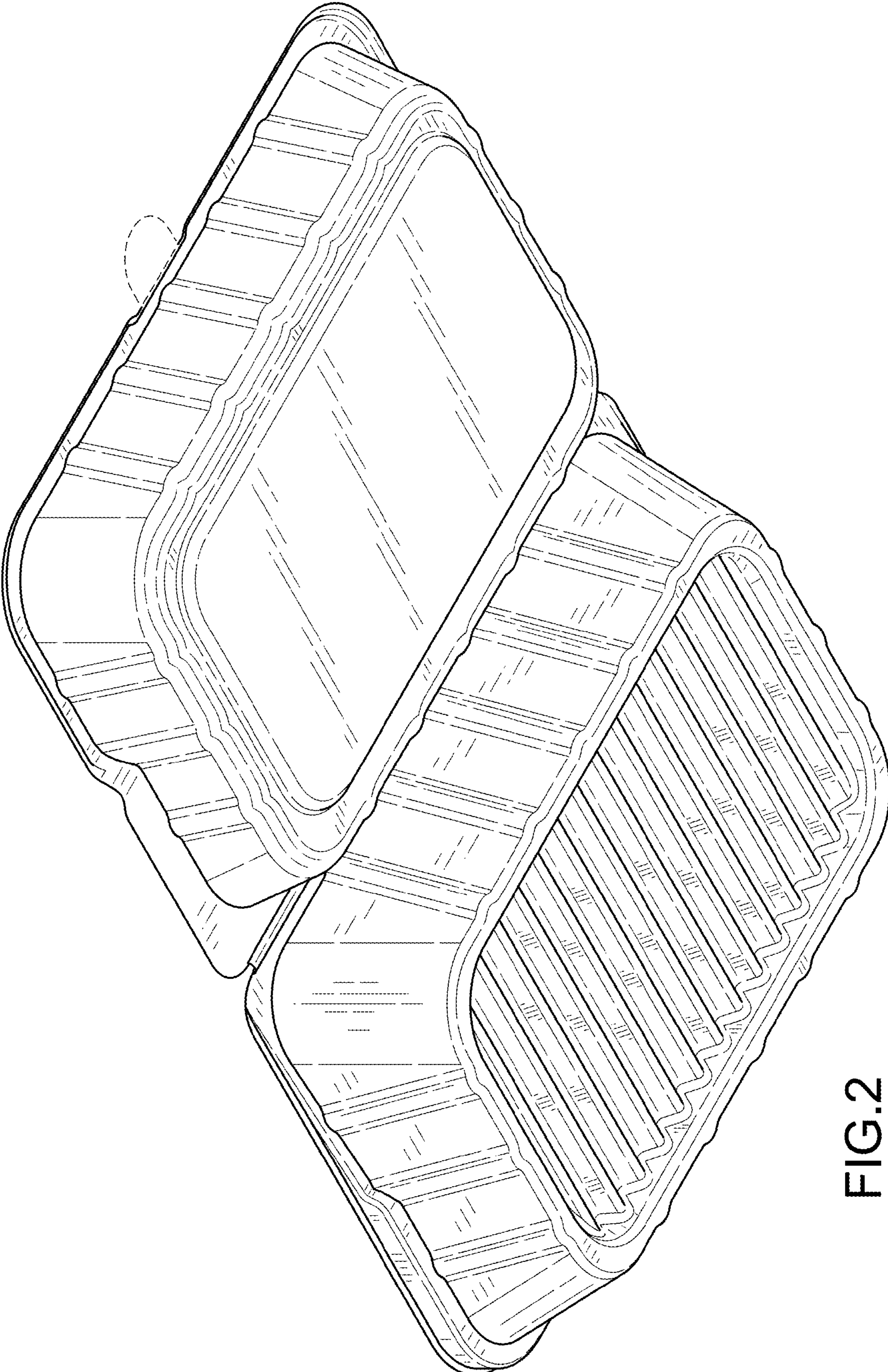


FIG.2

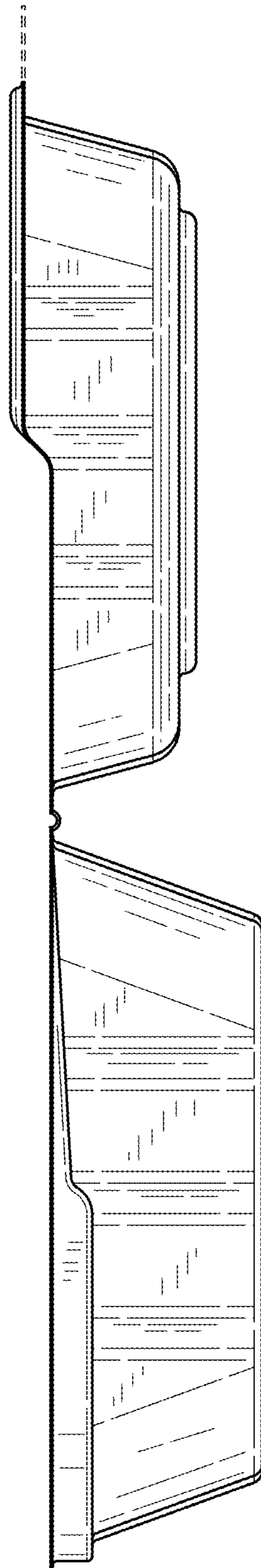


FIG.3

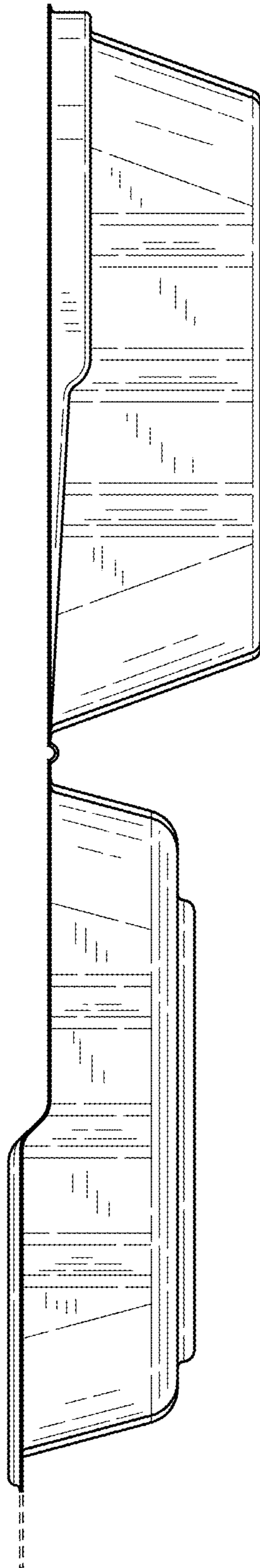


FIG.4

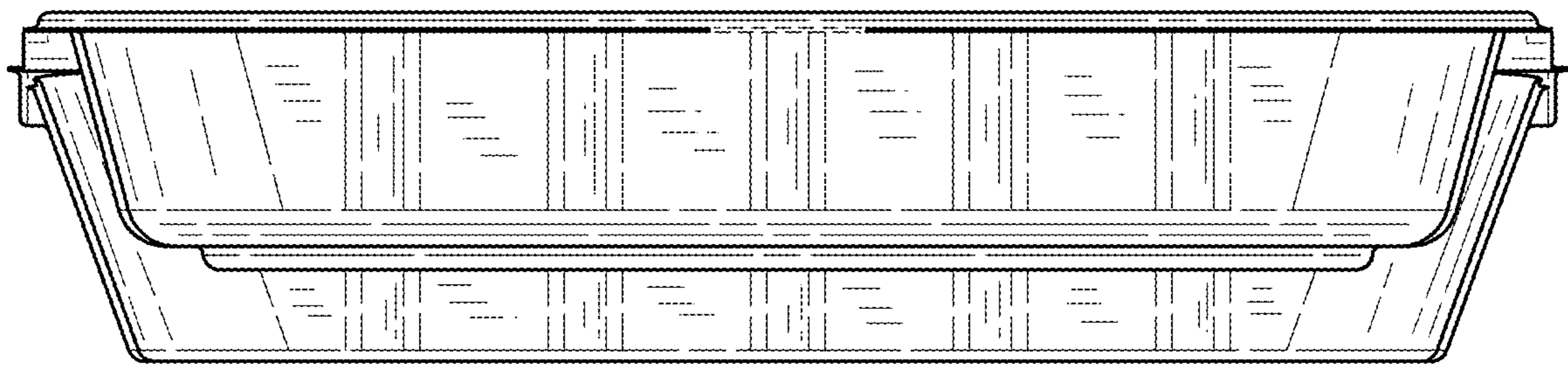


FIG.5

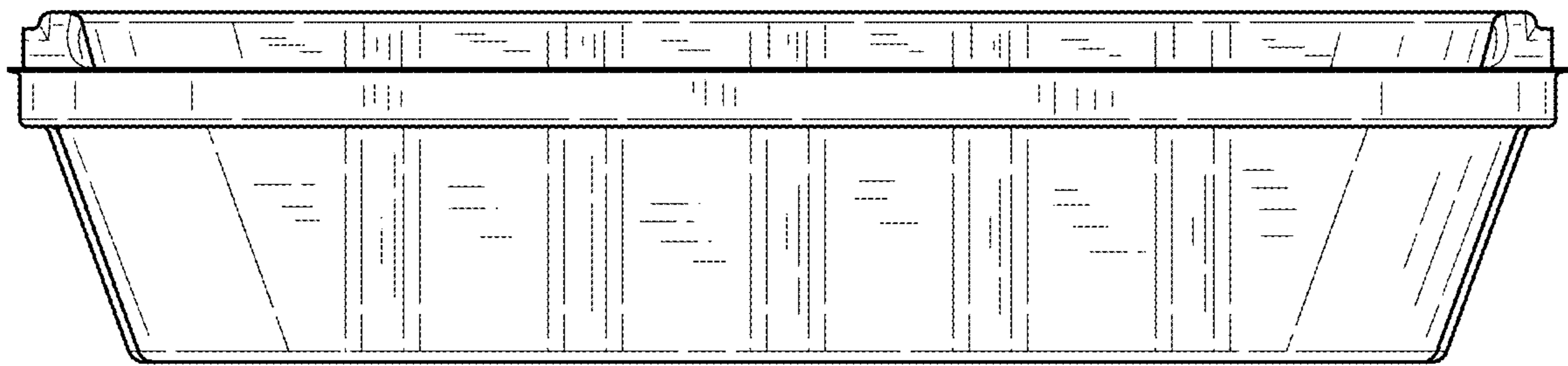


FIG.6

FIG. 7

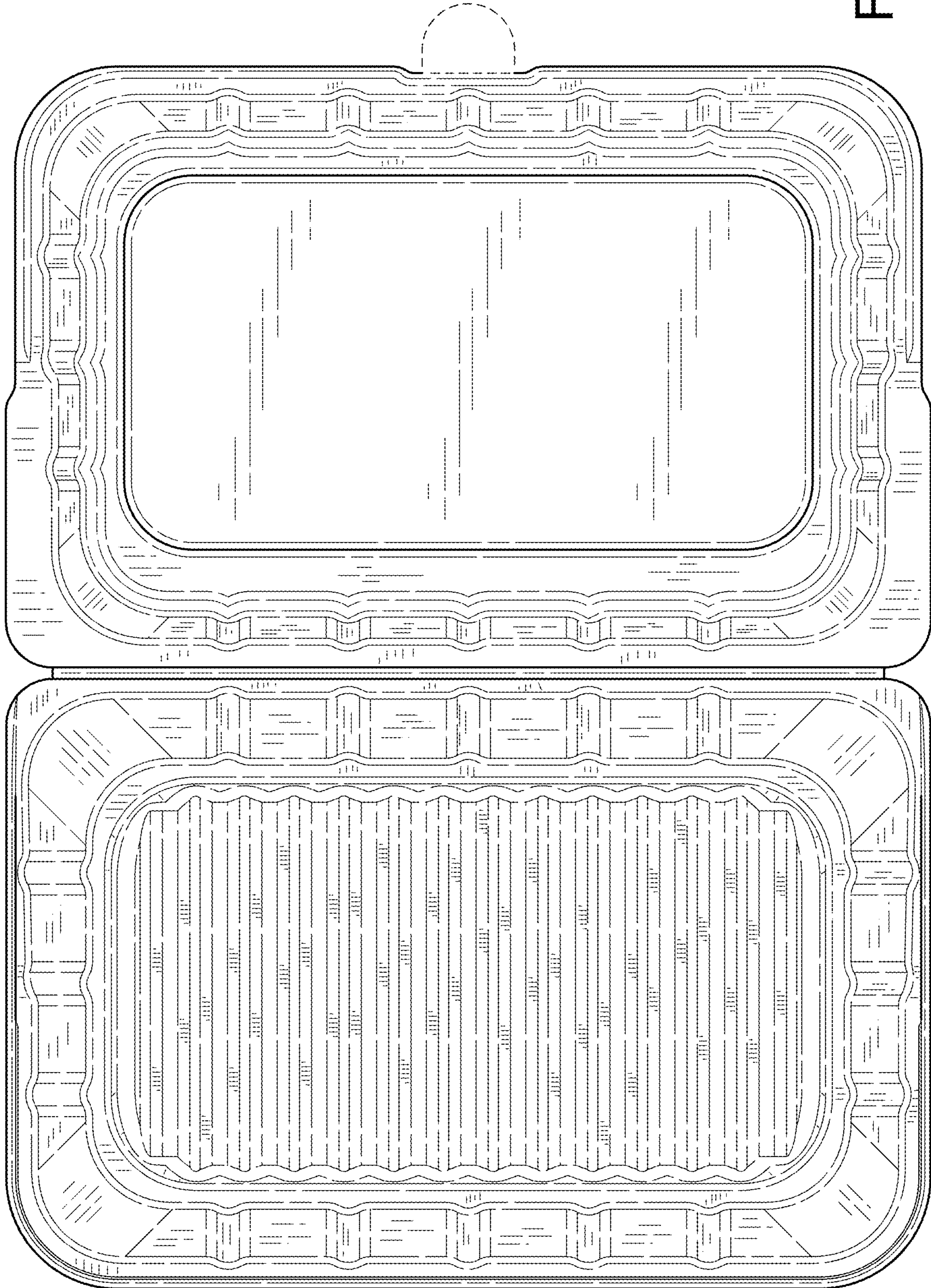


FIG. 8

