



US00D938273S

(12) **United States Design Patent** (10) **Patent No.:** **US D938,273 S**
DeBoer et al. (45) **Date of Patent:** **** Dec. 14, 2021**

(54) **FENESTRATION LATCH**
(71) Applicant: **Marvin Lumber and Cedar Company, LLC**, Eagan, MN (US)
(72) Inventors: **Nathan H. DeBoer**, Thief River Falls, MN (US); **Jacob Richard Lundquist**, Roseau, MN (US)
(73) Assignee: **Marvin Lumber and Cedar Company, LLC**, Eagan, MN (US)

3,893,261 A 7/1975 Cribben
D247,844 S 5/1978 Palm
4,106,239 A 8/1978 Bancroft et al.
4,395,847 A 8/1983 Atchison
D297,808 S * 9/1988 King D8/313
D299,544 S 1/1989 Nolan
D322,385 S * 12/1991 Simonton D8/313
(Continued)

FOREIGN PATENT DOCUMENTS

IN 287552-0001 10/2016

(**) Term: **15 Years**

OTHER PUBLICATIONS

(21) Appl. No.: **29/751,168**

“Majesta Double Hung”, Kolbe Windows & Doors 2010 Kolbe & Kolbe Millwork Co., Inc., 8 pgs.

(22) Filed: **Sep. 18, 2020**

(Continued)

Related U.S. Application Data

(63) Continuation of application No. 29/647,406, filed on May 11, 2018, now Pat. No. Des. 899,919.

Primary Examiner — John Windmuller

(51) **LOC (13) Cl.** **08-09**
(52) **U.S. Cl.**
USPC **D8/400**; D8/313

(74) *Attorney, Agent, or Firm* — Schwegman Lundberg & Woessner, P.A.

(58) **Field of Classification Search**
USPC D8/354, 355, 373, 377, 380, 381, 400, D8/402, 499, 313, 331
CPC E05C 17/34; E05C 17/04; E05C 17/32; E05F 5/06; E05F 11/16; E05D 15/46
See application file for complete search history.

(57) **CLAIM**

The ornamental design for a fenestration latch, as shown and described.

DESCRIPTION

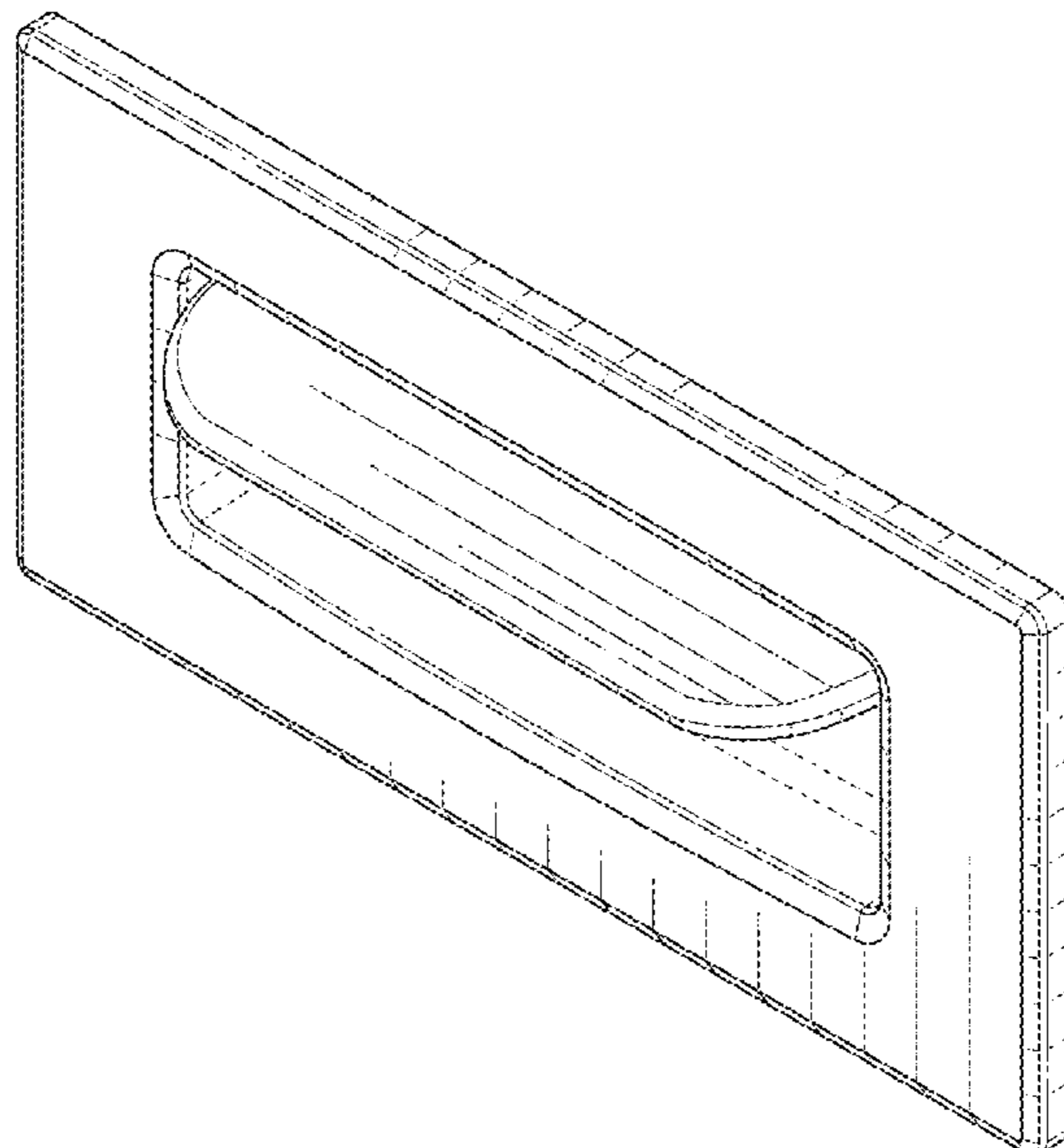
(56) **References Cited**

U.S. PATENT DOCUMENTS

1,185,422 A 5/1916 Mammelli
D126,567 S * 4/1941 Borchers D8/314
2,249,132 A 7/1941 Haslam
2,793,386 A * 5/1957 Muhlhauser A47B 95/02
16/416
3,161,923 A 12/1964 Philip
D213,676 S 4/1969 Biro

FIG. 1 is a first perspective view of a fenestration latch, showing the new design.
FIG. 2 is a second perspective view of the fenestration latch of FIG. 1.
FIG. 3 is a front view of the fenestration latch of FIG. 1.
FIG. 4 is a back view of the fenestration latch of FIG. 1.
FIG. 5 is a first side view of the fenestration latch of FIG. 1.
FIG. 6 is a second side view of the fenestration latch of FIG. 1.
FIG. 7 is a top view of the fenestration latch of FIG. 1; and, FIG. 8 is a bottom view of the fenestration latch of FIG. 1.

1 Claim, 3 Drawing Sheets



(56)

References Cited

U.S. PATENT DOCUMENTS

5,210,976 A 5/1993 Cripps
 D358,980 S 6/1995 Mockett
 5,461,837 A 10/1995 Chaney et al.
 D365,883 S 1/1996 Forbis et al.
 D371,500 S * 7/1996 McConnell D8/302
 D390,086 S * 2/1998 Weinerman D8/300
 D436,832 S * 1/2001 Matsuo D8/313
 D442,846 S * 5/2001 Bastian D8/313
 D458,110 S * 6/2002 Landeros D8/331
 6,547,289 B1 4/2003 Greenheck et al.
 D477,882 S 7/2003 Clarkin
 D544,338 S 6/2007 Christensen et al.
 D559,406 S 1/2008 Boshell et al.
 7,507,912 B1 * 3/2009 Sempliner H02G 3/185
 16/2.1
 D603,056 S 10/2009 Ray
 D618,363 S 6/2010 Card
 RE41,863 E * 10/2010 Sempliner E04F 15/02405
 174/650
 8,555,572 B1 10/2013 Bingham et al.
 D719,679 S 12/2014 Diether
 D792,186 S * 7/2017 Key D8/302
 D806,898 S 1/2018 Zacher et al.
 D821,554 S 6/2018 Wilson et al.
 D828,580 S 9/2018 Often et al.
 D837,627 S * 1/2019 Poidatz D8/302
 D859,387 S 9/2019 Chung
 D899,919 S 10/2020 DeBoer et al.
 2008/0129054 A1 * 6/2008 Tremble E05B 15/102
 292/33
 2009/0205257 A1 8/2009 Winner et al.
 2010/0038918 A1 * 2/2010 Liang E05B 9/08
 292/2
 2010/0050483 A1 * 3/2010 Hsieh H05K 5/0017
 40/1
 2011/0015789 A1 * 1/2011 LaJeunesse H04L 12/2825
 700/278

2011/0025075 A1 * 2/2011 Chang E05C 1/10
 292/175
 2012/0192493 A1 8/2012 Wolfe
 2013/0283694 A1 10/2013 Deboer et al.
 2014/0047772 A1 * 2/2014 Hulst B60J 1/14
 49/383
 2014/0150346 A1 6/2014 Deboer
 2014/0202084 A1 * 7/2014 Holmes, Jr. E05F 15/72
 49/506
 2014/0259946 A1 9/2014 Mansueto et al.
 2015/0042107 A1 * 2/2015 Glickman E05C 1/10
 292/138
 2017/0218667 A1 * 8/2017 Lane E05B 1/0092
 2017/0234033 A1 8/2017 Deboer et al.
 2018/0202198 A1 7/2018 Hollermann et al.
 2018/0245386 A1 * 8/2018 Binzer E05C 3/048
 2019/0178008 A1 6/2019 Deboer et al.

OTHER PUBLICATIONS

“Canadian Application Serial No. 184,529, Office Action dated Sep. 7, 2019”, 2 pgs.
 “U.S. Appl. No. 29/647,405, Restriction Requirement dated Oct. 16, 2019”, 6 pgs.
 “Canadian Application Serial No. 184,529, Response filed Dec. 6, 2019 to Office Action dated Sep. 7, 2019”, 13 pgs.
 “U.S. Appl. No. 29/647,406, Restriction Requirement dated Feb. 24, 2020”, 5 pgs.
 “U.S. Appl. No. 29/647,405, Response filed Apr. 16, 2020 to Restriction Requirement dated Oct. 16, 2019”, 5 pgs.
 “U.S. Appl. No. 29/647,406, Response filed May 26, 2020 to Restriction Requirement dated Feb. 24, 2020”, 3 pgs.
 “U.S. Appl. No. 29/647,406, Notice of Allowance dated Jun. 19, 2020”, 7 pgs.
 “Canadian Application Serial No. 184,529, Office Action dated Aug. 18, 2020”, 2 pgs.
 “U.S. Appl. No. 16/213,566, Non Final Office Action dated Jul. 26, 2021”, 13 pgs.

* cited by examiner

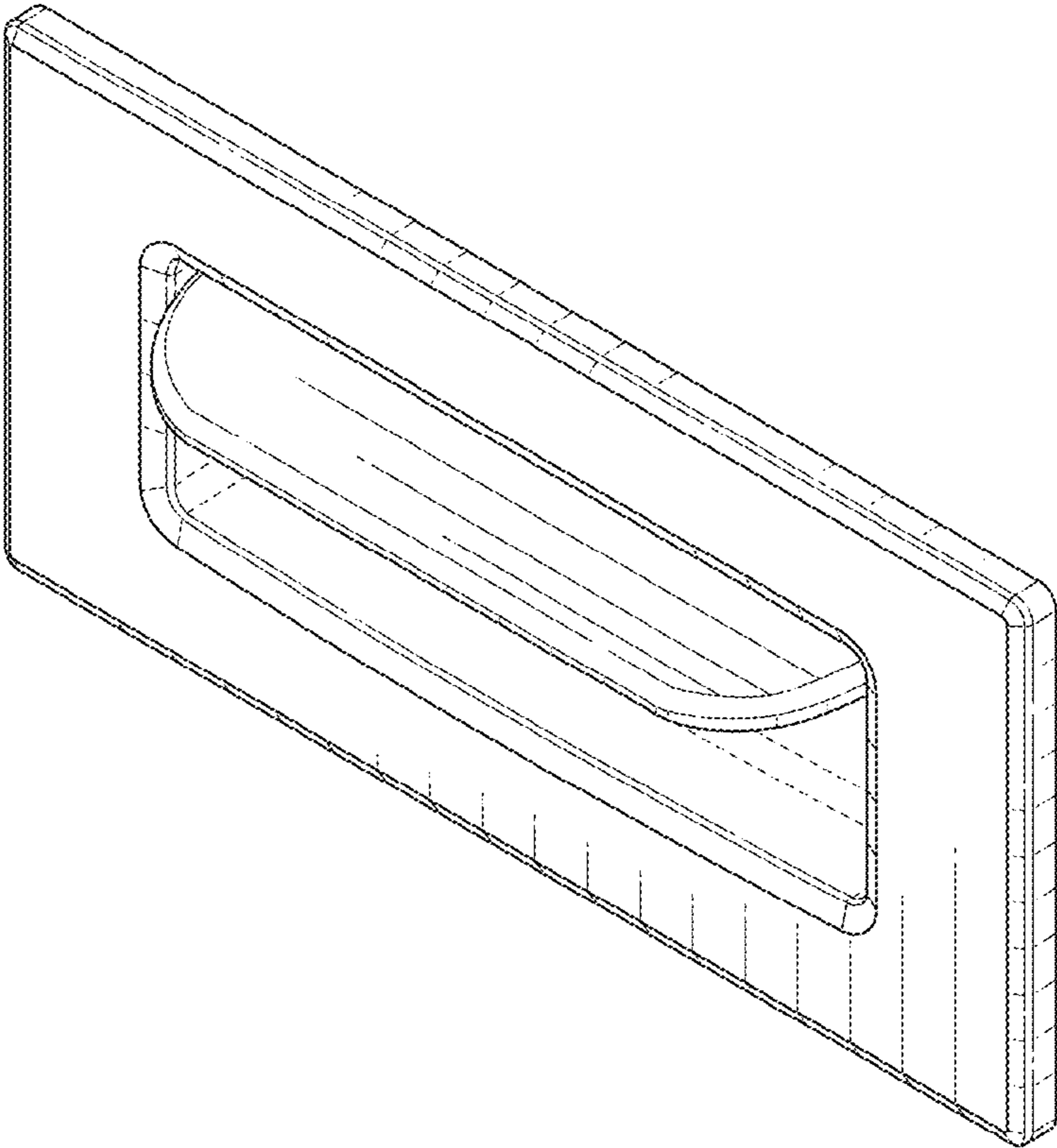


FIG. 1

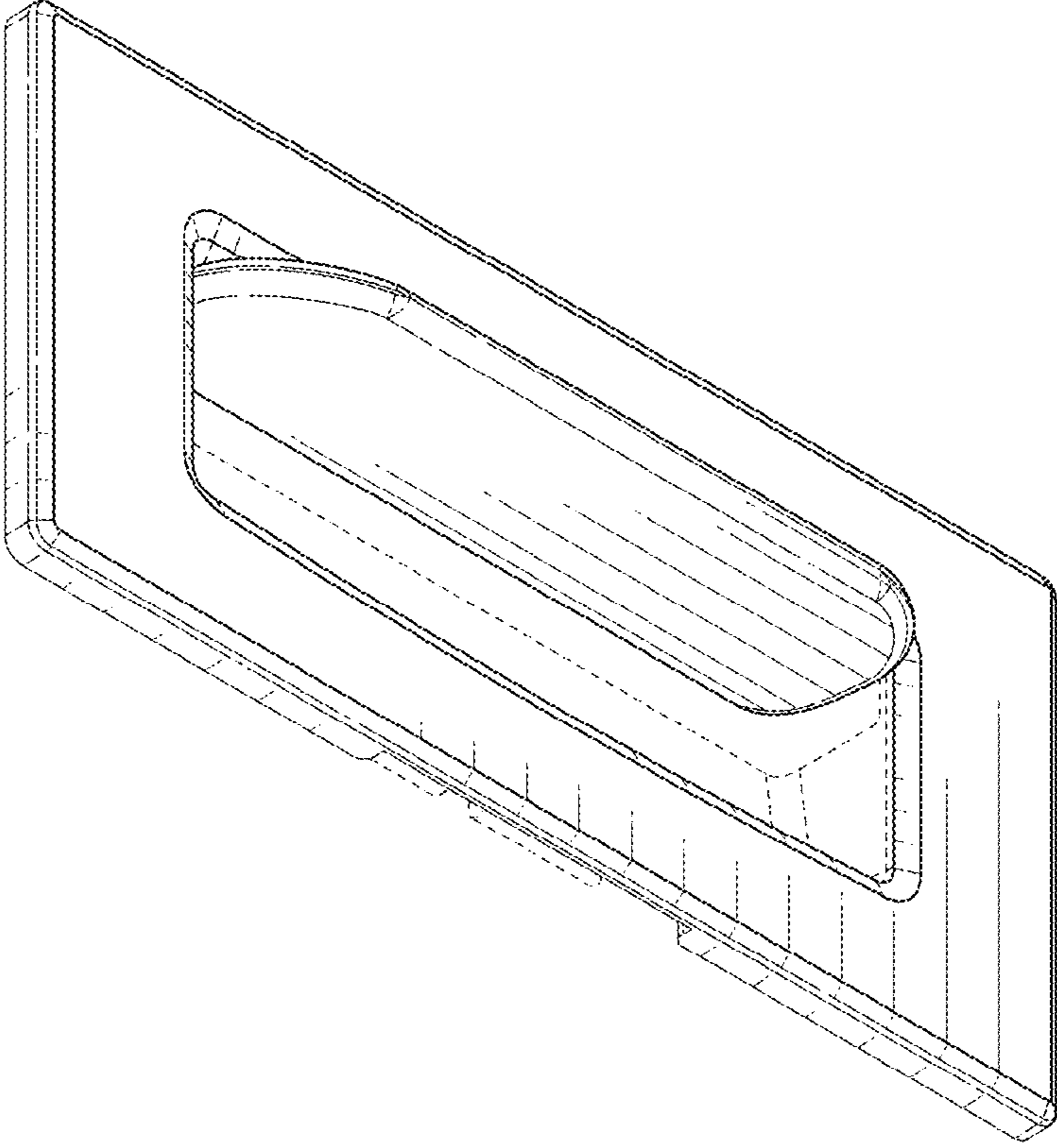


FIG. 2

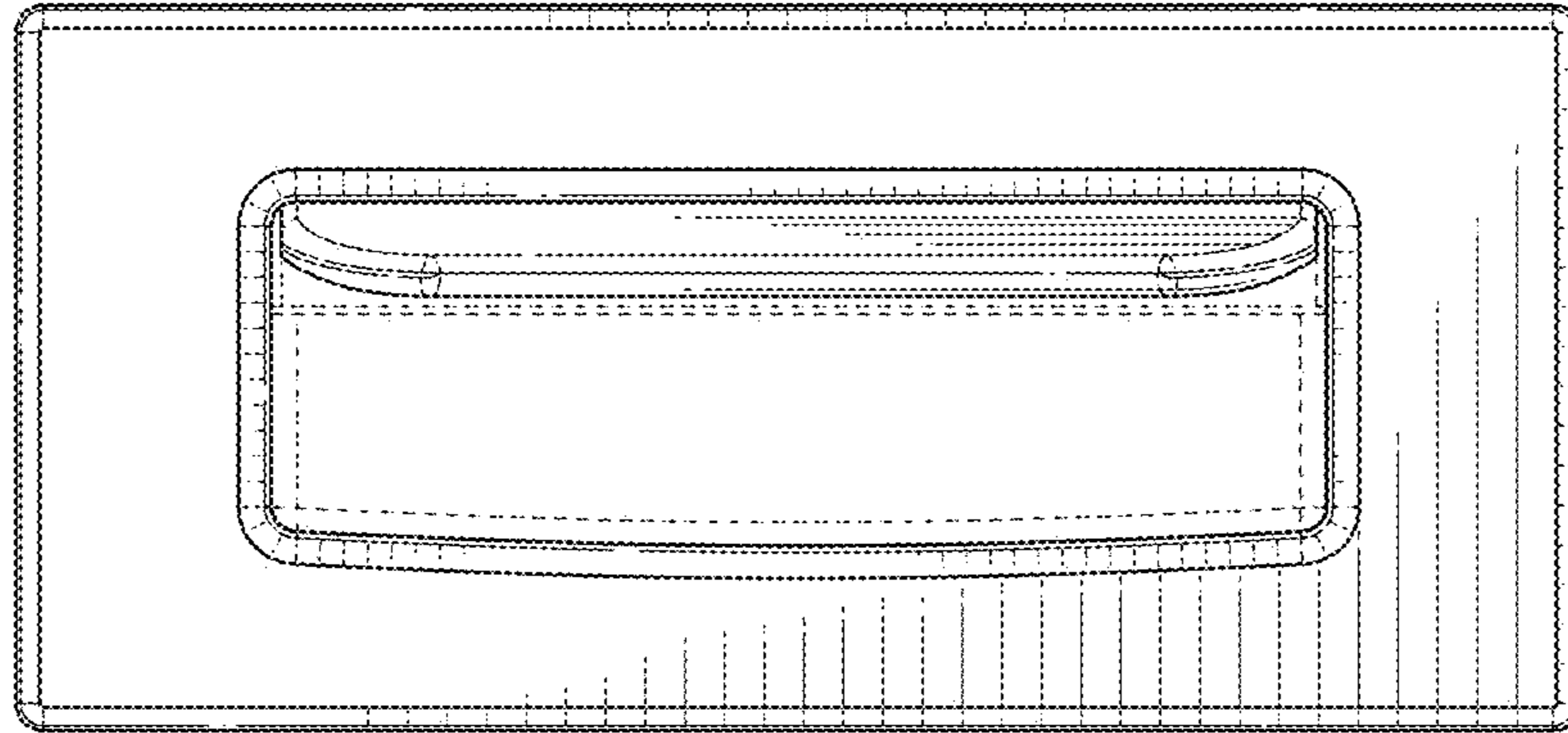


FIG. 3

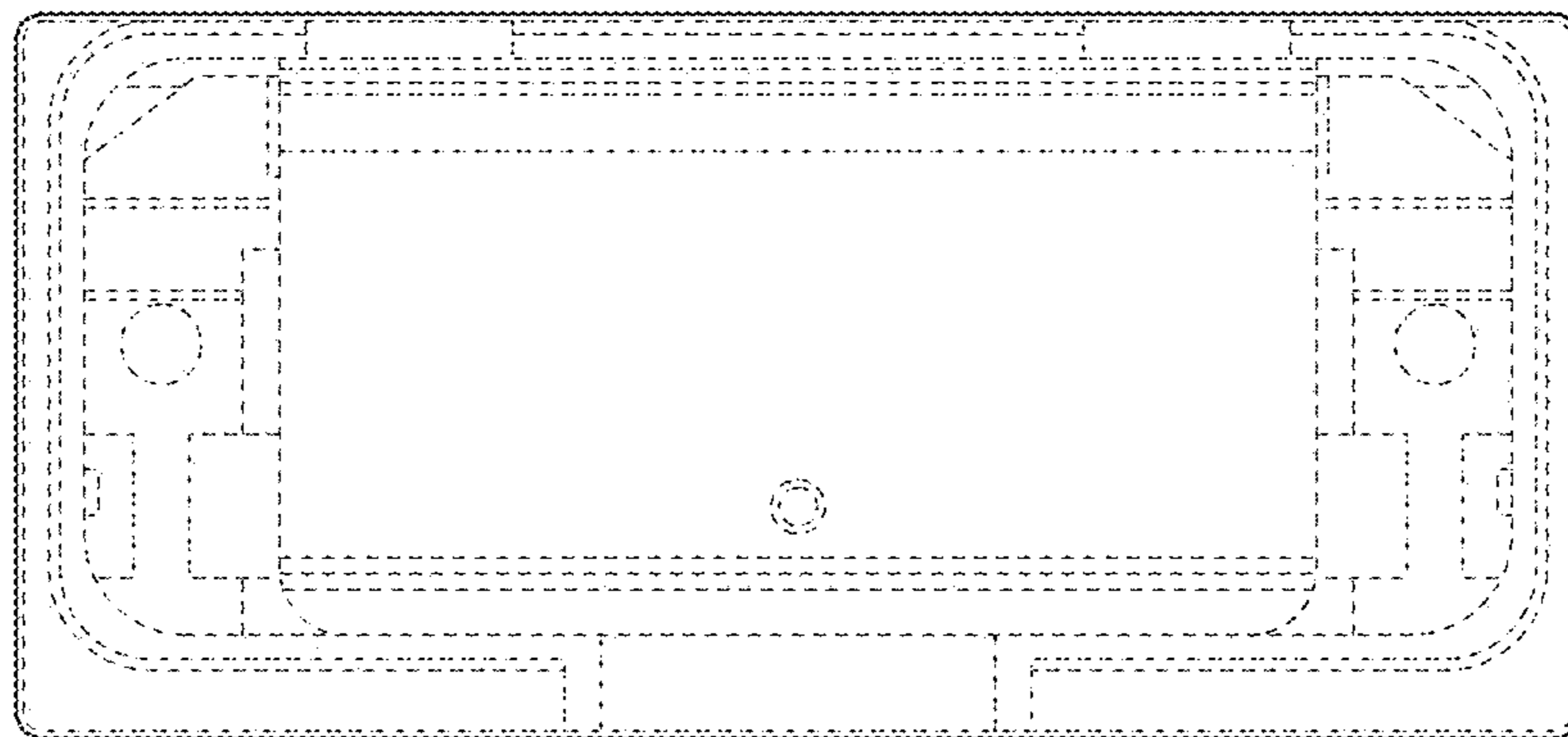


FIG. 4

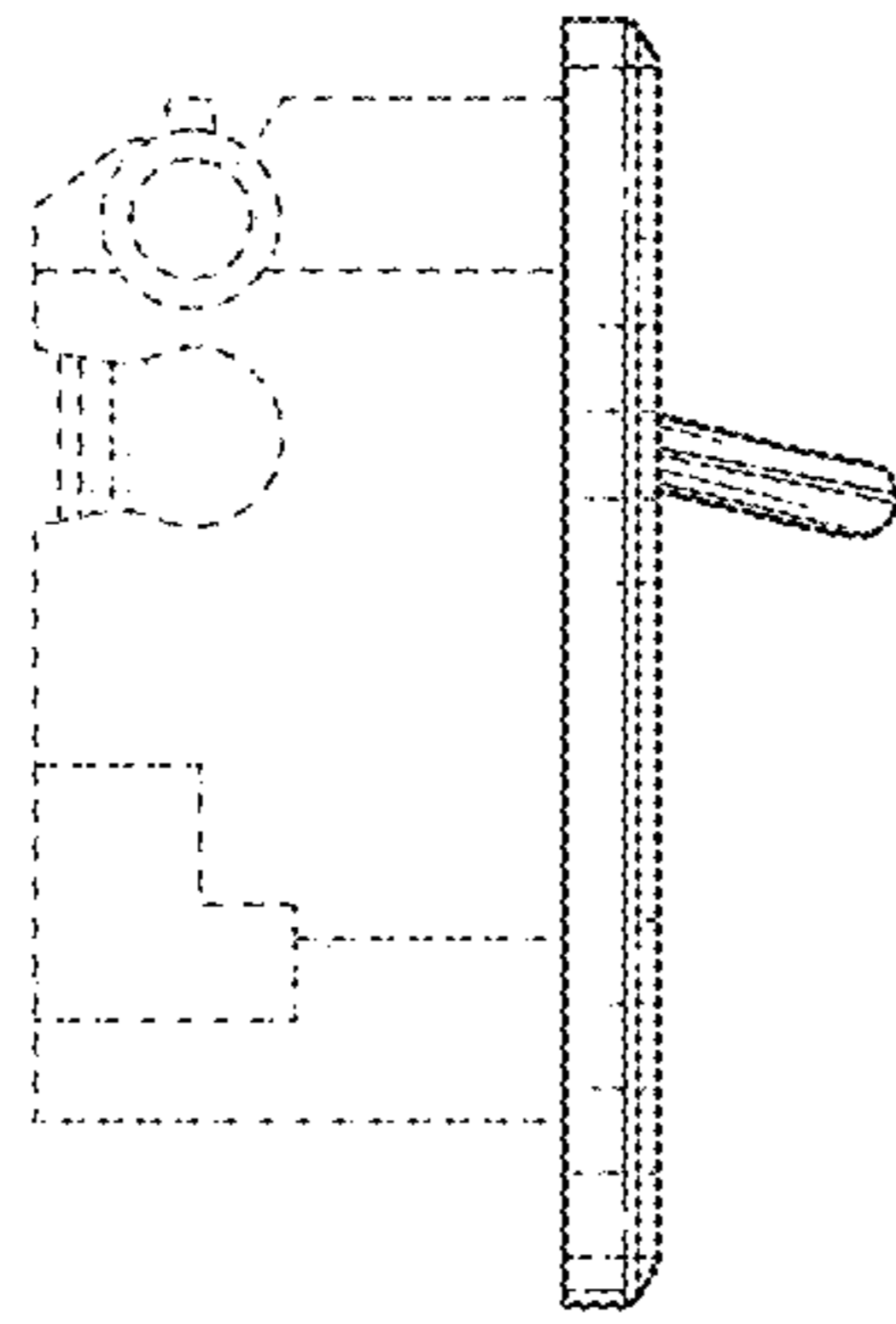


FIG. 5

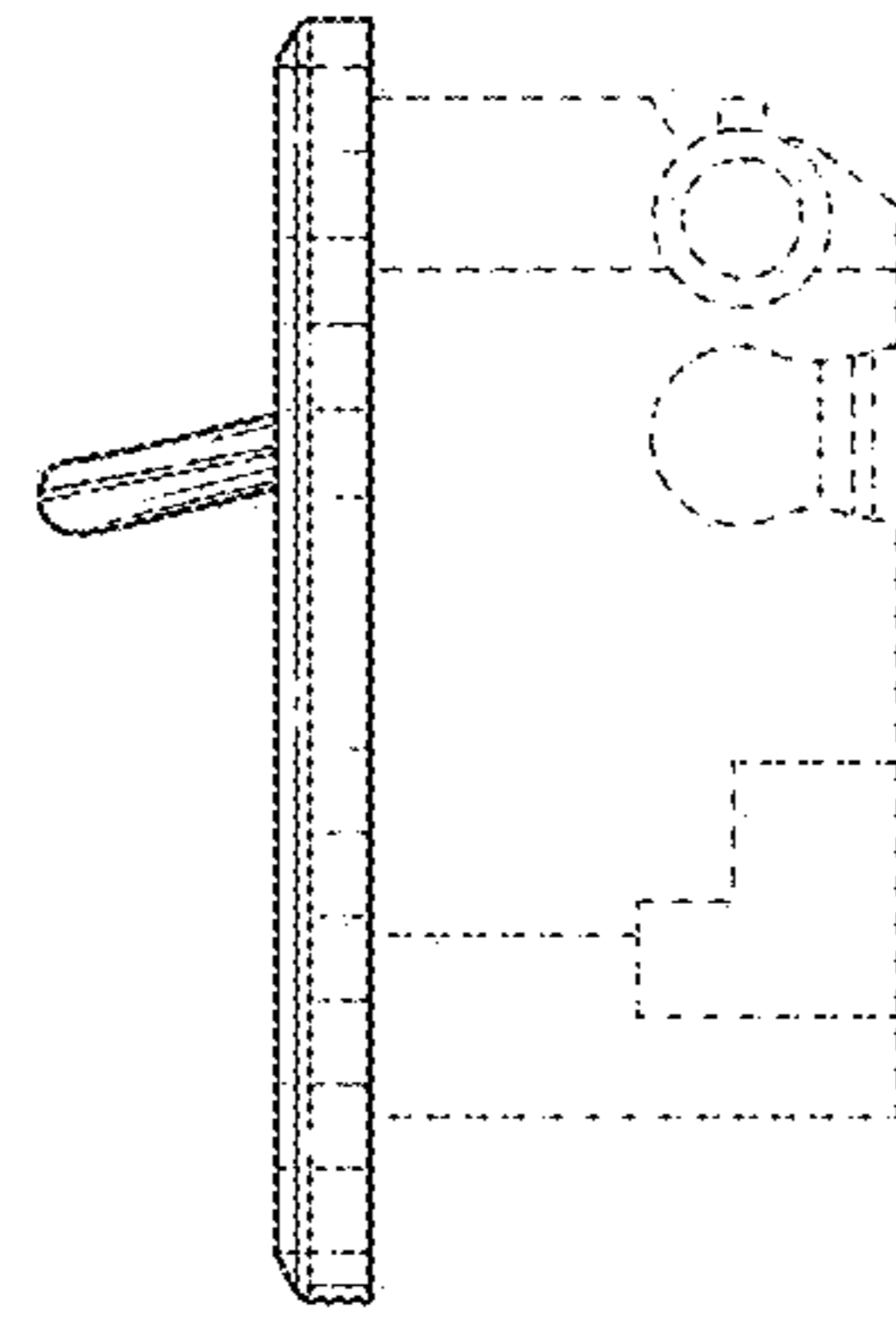


FIG. 6

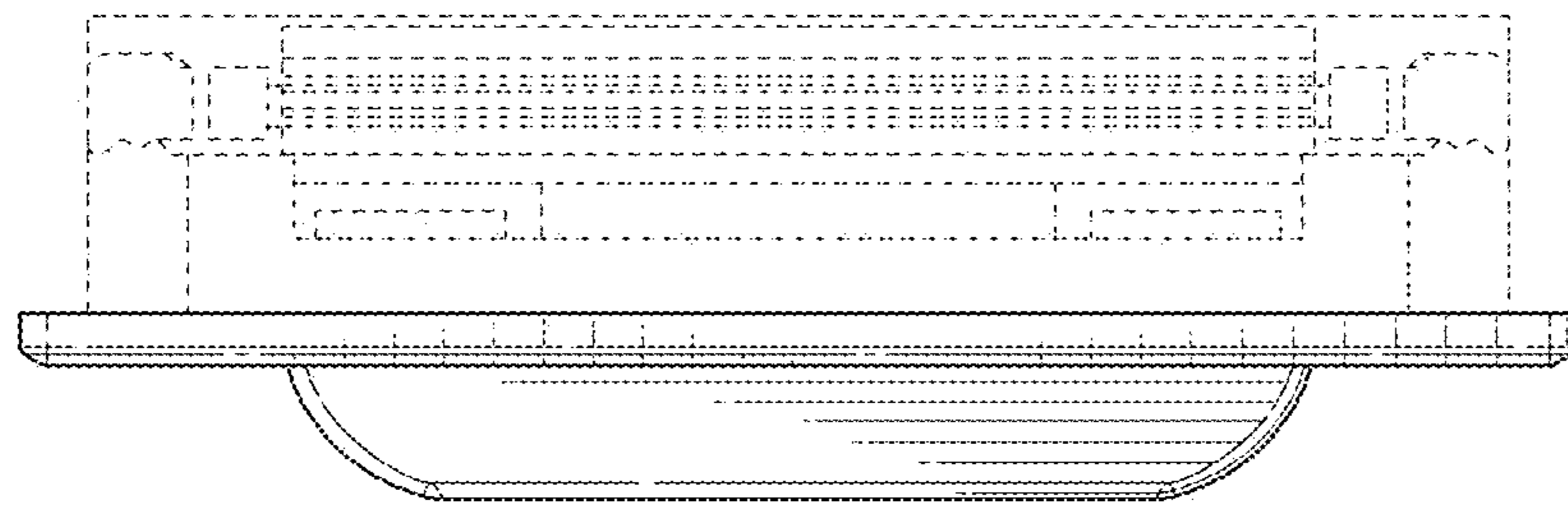


FIG. 7

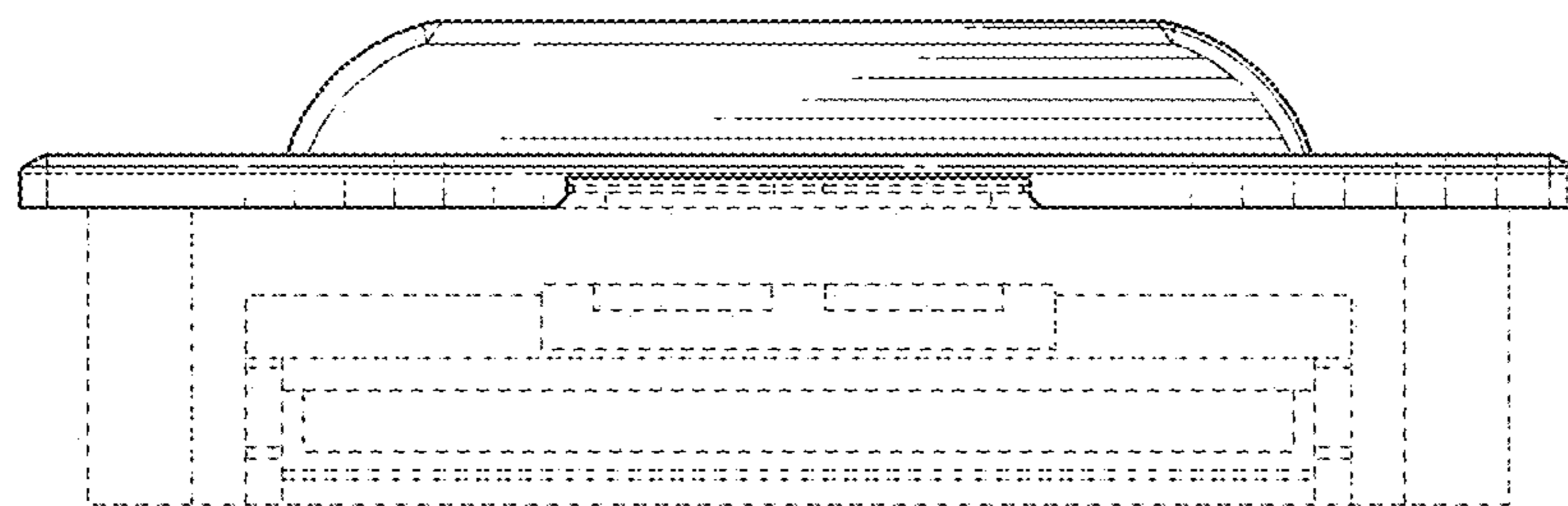


FIG. 8