



US00D938272S

(12) **United States Design Patent** (10) **Patent No.:** **US D938,272 S**
Hoffmann et al. (45) **Date of Patent:** **** Dec. 14, 2021**

(54) **DROPPER SEAT POST REMOTE LEVER**

(71) Applicant: **DT SWISS AG**, Biel (CH)
(72) Inventors: **Jérôme Hoffmann**, Port (CH); **Marco Giarrana**, Mettmenstetten (CH)

(73) Assignee: **DT SWISS AG**, Biel (CH)

(**) Term: **15 Years**

(21) Appl. No.: **29/730,282**

(22) Filed: **Apr. 2, 2020**

(30) **Foreign Application Priority Data**

Nov. 4, 2019 (DE) 402019101188.9

(51) **LOC (13) Cl.** **08-08**

(52) **U.S. Cl.**
USPC **D8/396**

(58) **Field of Classification Search**
USPC D8/72-73, 367, 394-396; D23/259, 269;
D24/155
CPC H01R 13/639; F16B 45/02; F16B 2/06;
A61F 5/448; F16L 33/06; F16L 37/00;
F16L 23/06
See application file for complete search history.

(56) **References Cited**

U.S. PATENT DOCUMENTS

4,627,305 A * 12/1986 Hosokawa B62M 25/04
74/489
5,380,052 A * 1/1995 Hendrickson F16L 17/04
24/270
7,500,888 B2 * 3/2009 Roset H01R 11/281
439/754
8,305,034 B2 * 11/2012 Rubio H01M 10/48
320/105
D807,137 S * 1/2018 Whitaker D8/72
D850,900 S * 6/2019 Yesavage D8/396
10,408,371 B2 * 9/2019 Floyd F16L 37/18

(Continued)

FOREIGN PATENT DOCUMENTS

EM 006204525-0001 * 2/2019
JP D1497825 S 1/2015

(Continued)

OTHER PUBLICATIONS

NPL Amazon Wolf Tooth Remote Dropper Lever, reviews 2020, site visited Jul. 31, 2021, <https://www.amazon.com/Wolf-Tooth-Components-BarCentric-Dropper/dp/B084BPL8JB/ref=asc...>

(Continued)

Primary Examiner — John R Yeh

(74) *Attorney, Agent, or Firm* — Greer, Burns & Crain, Ltd.

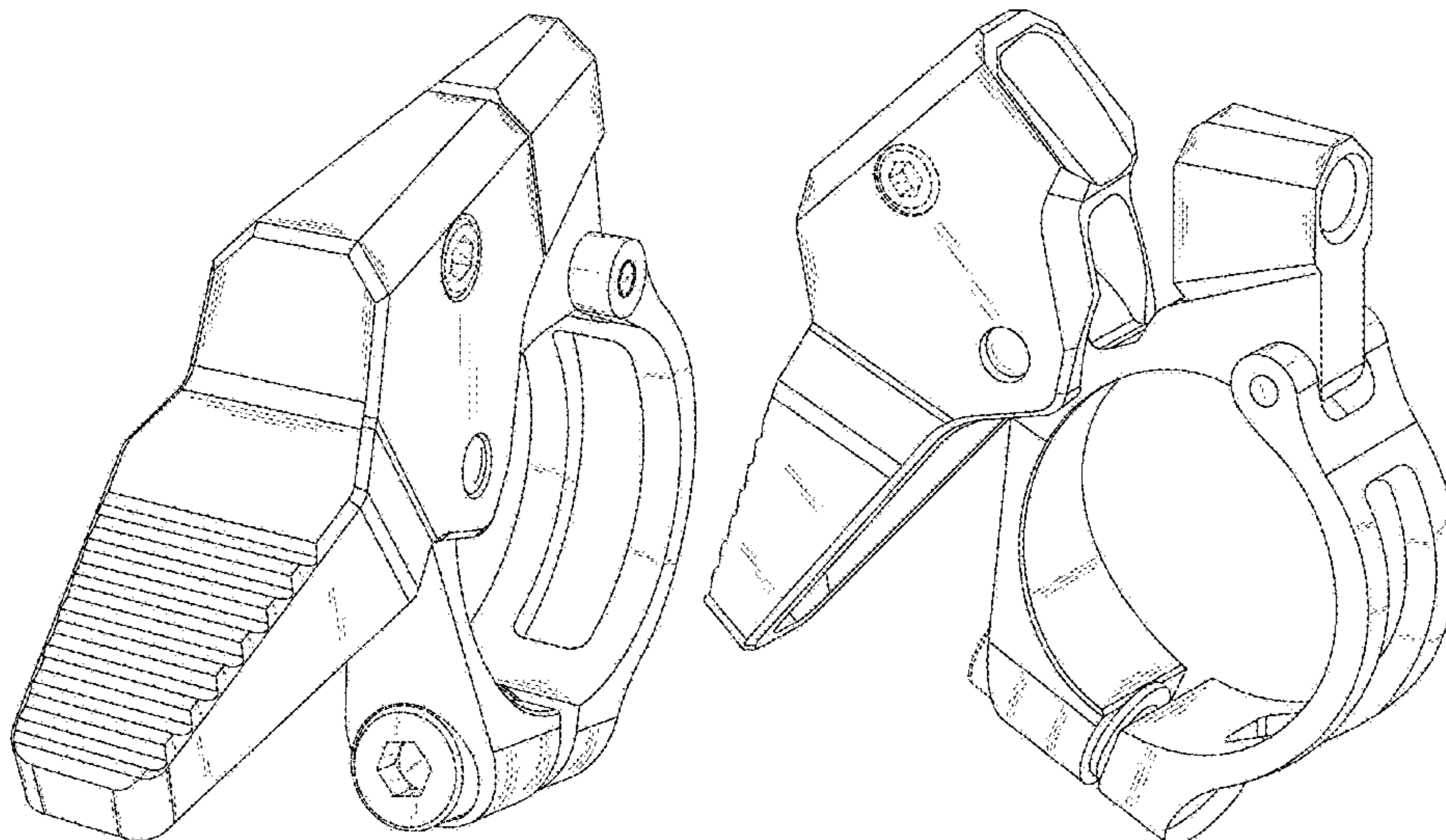
(57) **CLAIM**

The ornamental design for a dropper seat post remote lever, as shown and described.

DESCRIPTION

FIG. 1 is a top, right perspective view our new design for a dropper seat post remote lever;
FIG. 2 is a top, left perspective view thereof;
FIG. 3 is a front view thereof;
FIG. 4 is a right side view thereof;
FIG. 5 is a rear view thereof;
FIG. 6 is a left side rear view thereof;
FIG. 7 is a top view thereof;
FIG. 8 is a bottom view thereof;
FIG. 9 is a top, left perspective view of the dropper seat post remote lever in an open configuration; and,
FIG. 10 is a top, right perspective view thereof.
The broken lines in the drawings depict portions of the dropper seat post remote lever that form no part of the claimed design.

1 Claim, 10 Drawing Sheets



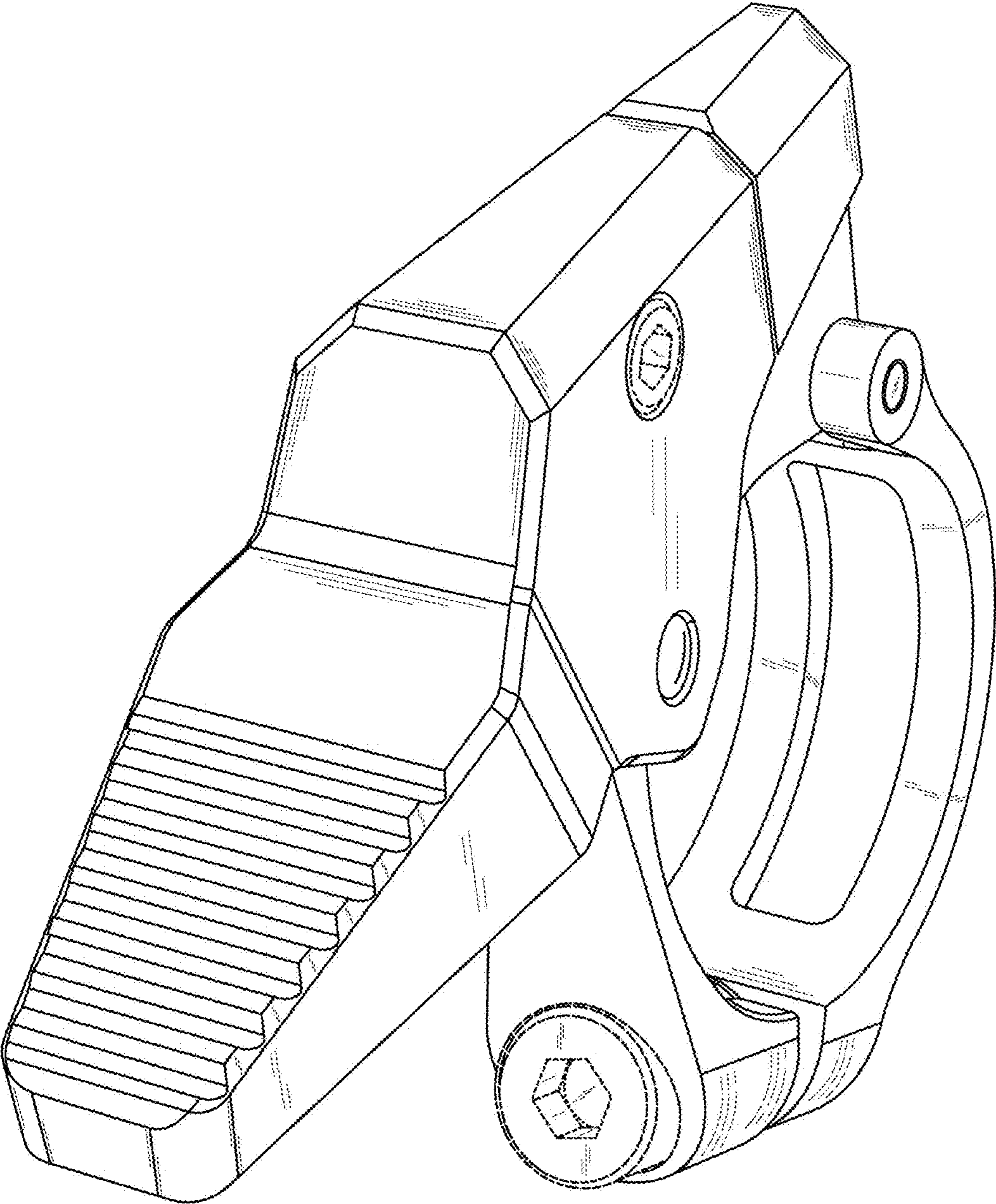


Fig. 1

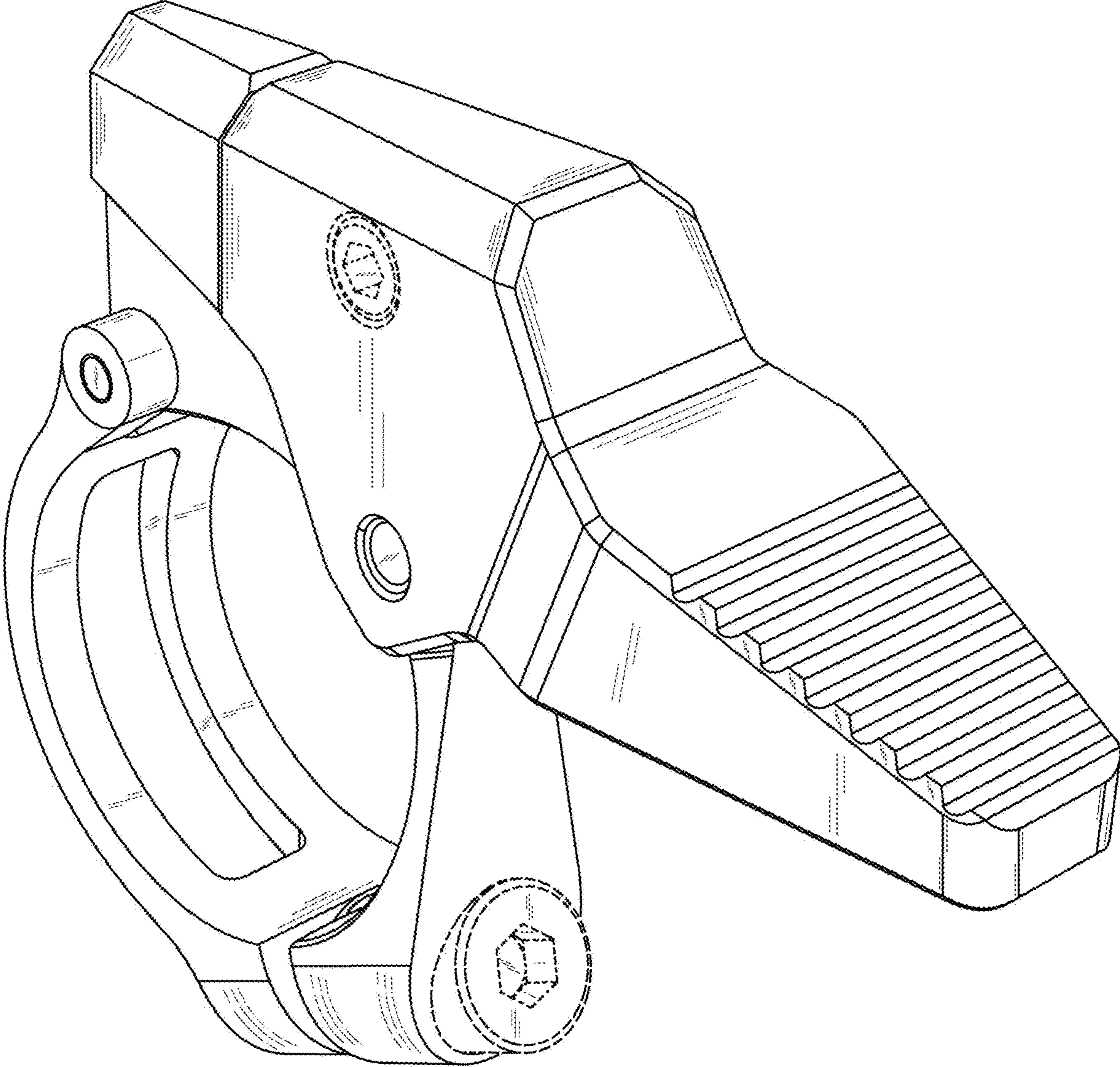


Fig. 2

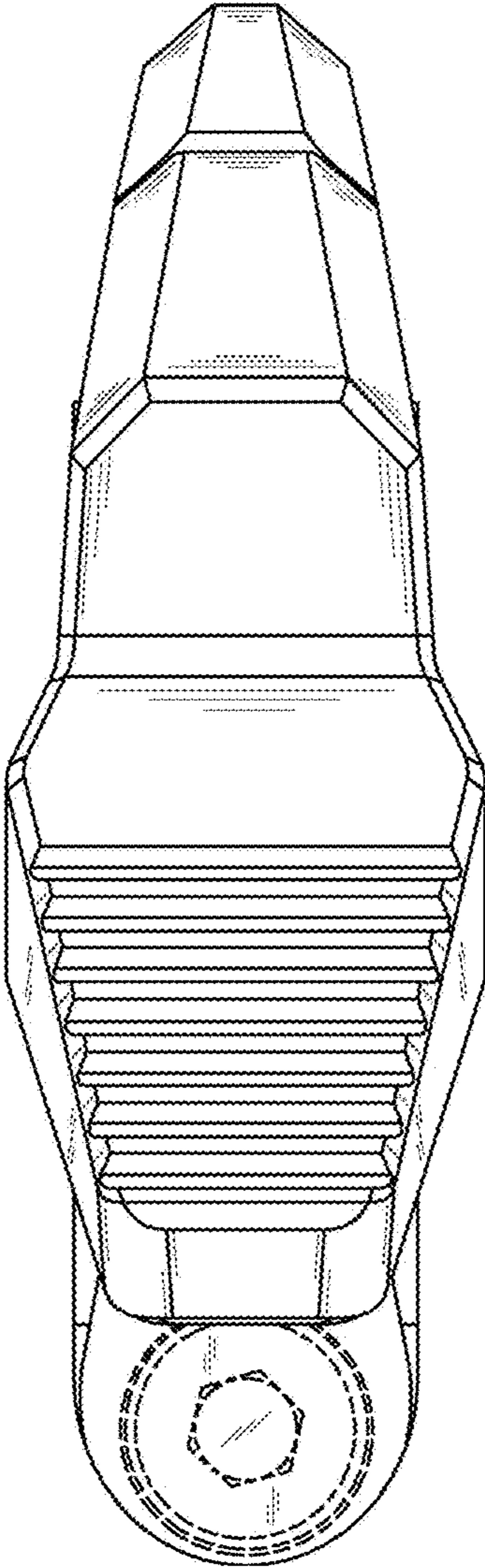


Fig. 3

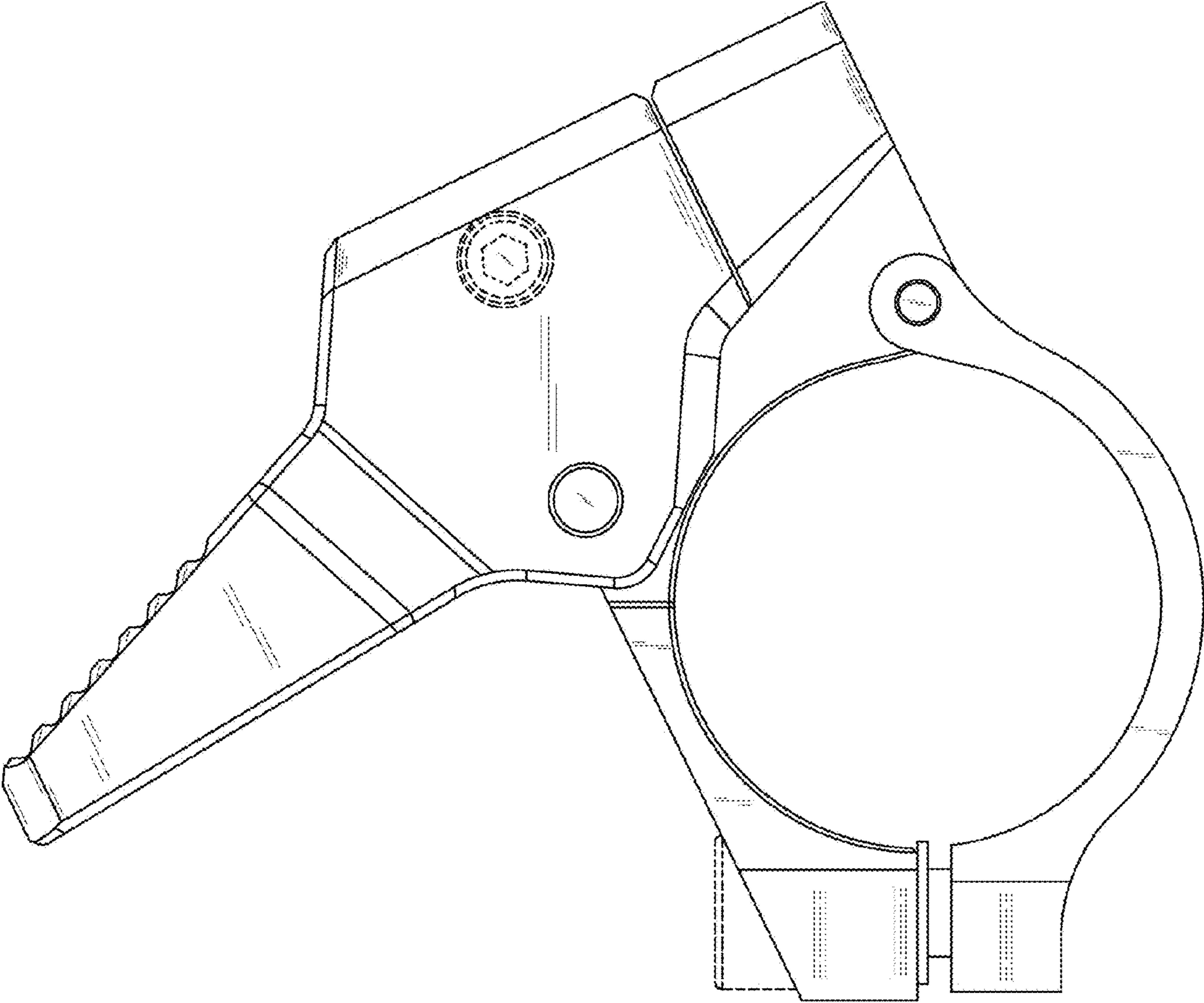


Fig. 4

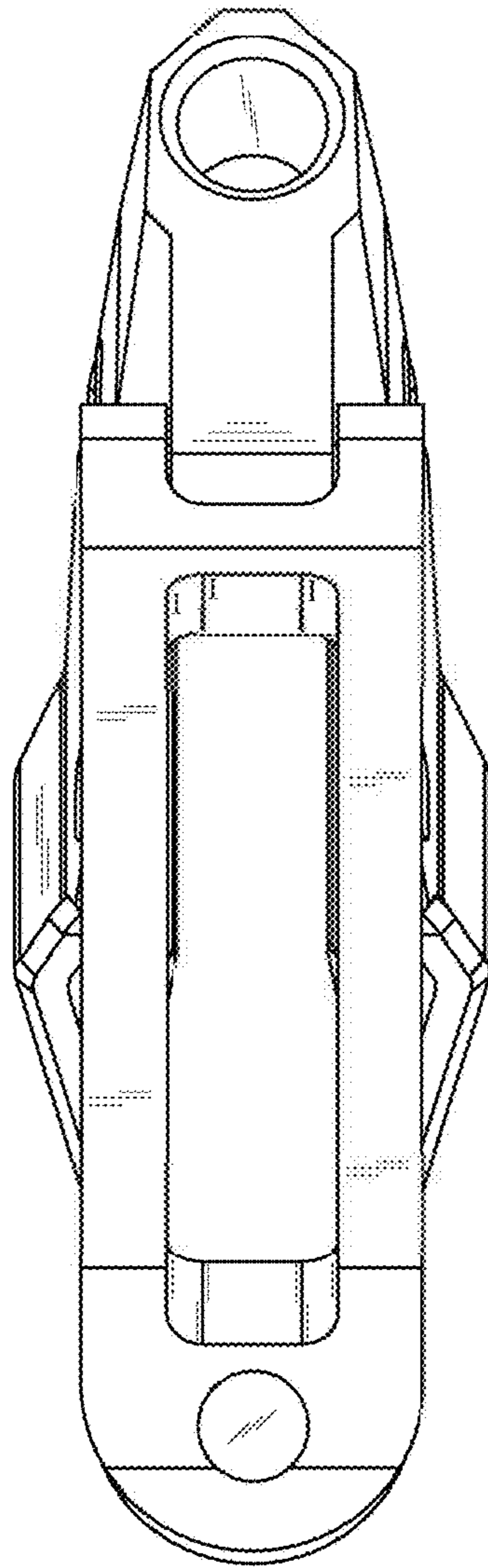


Fig. 5

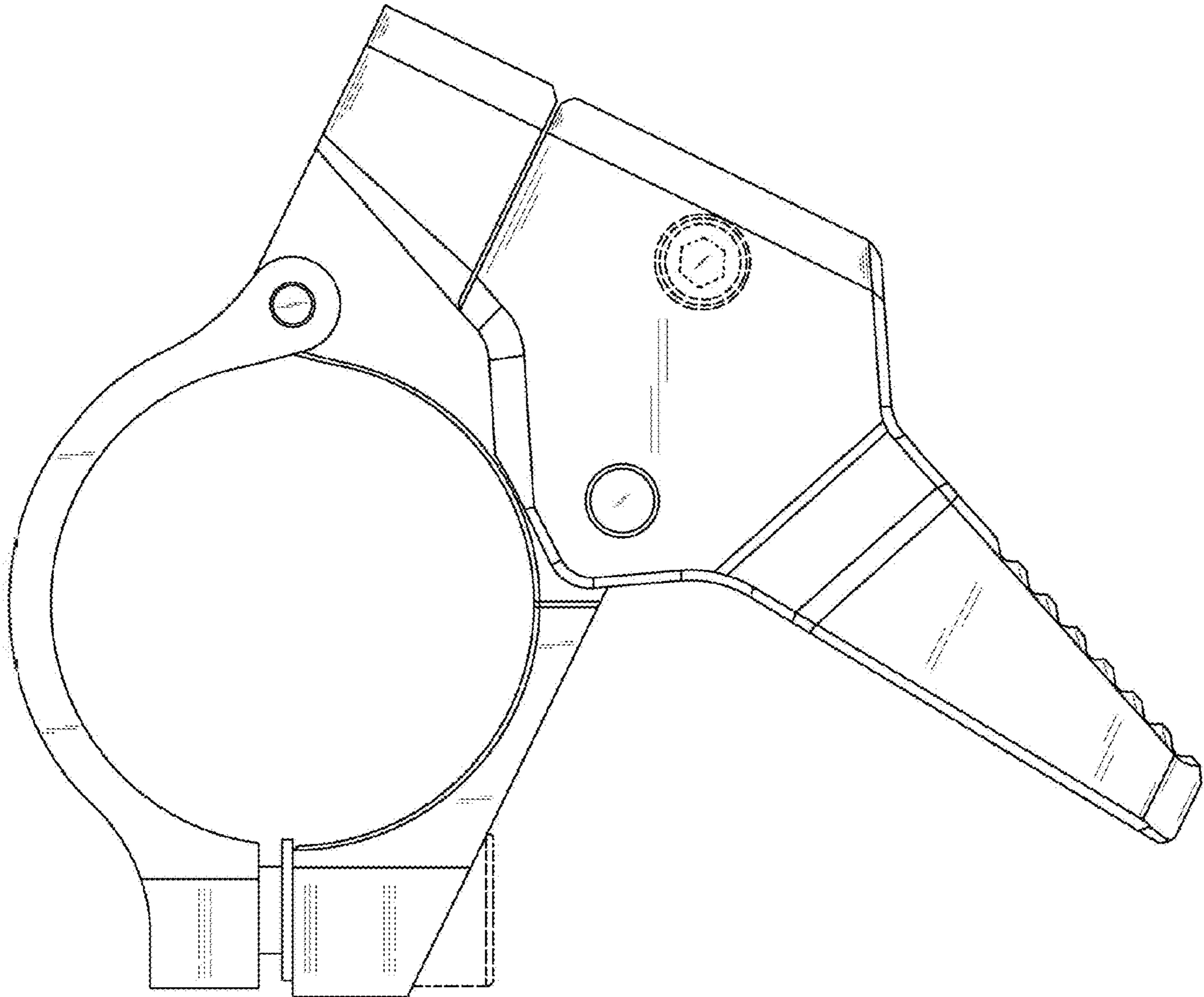


Fig. 6

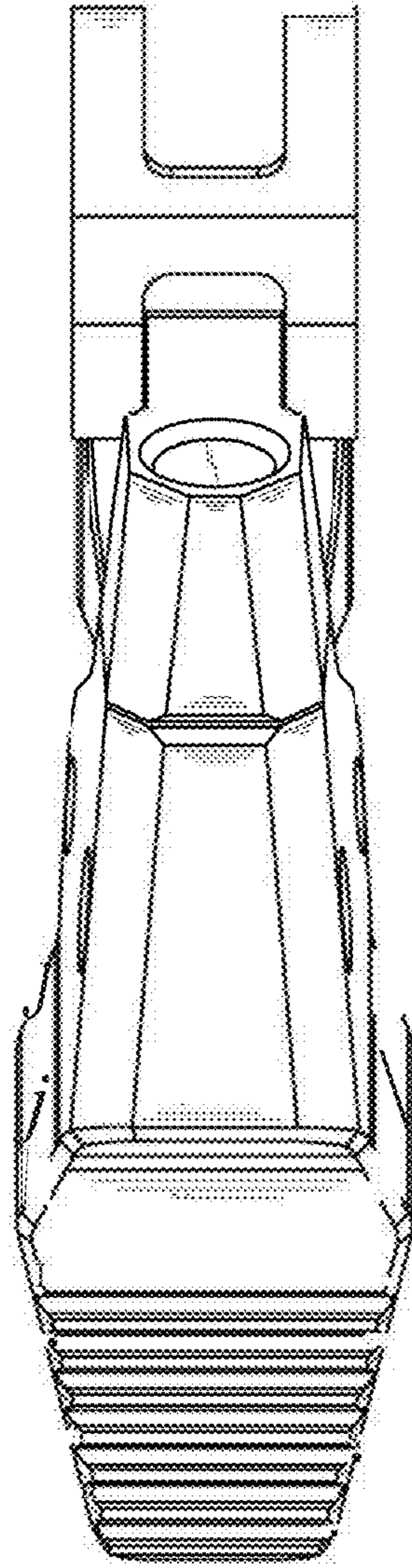


Fig. 7

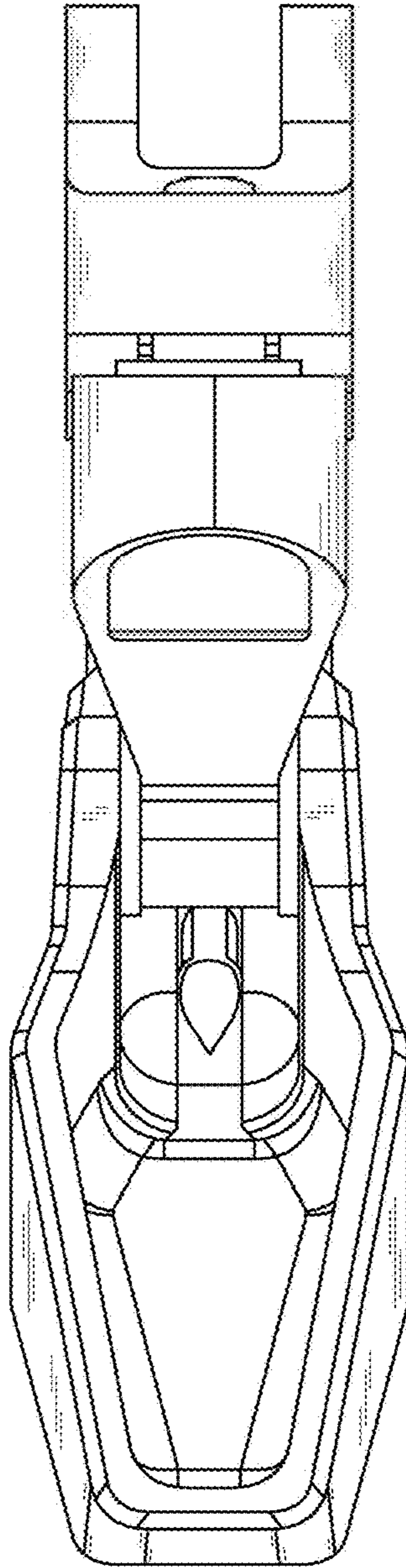


Fig. 8

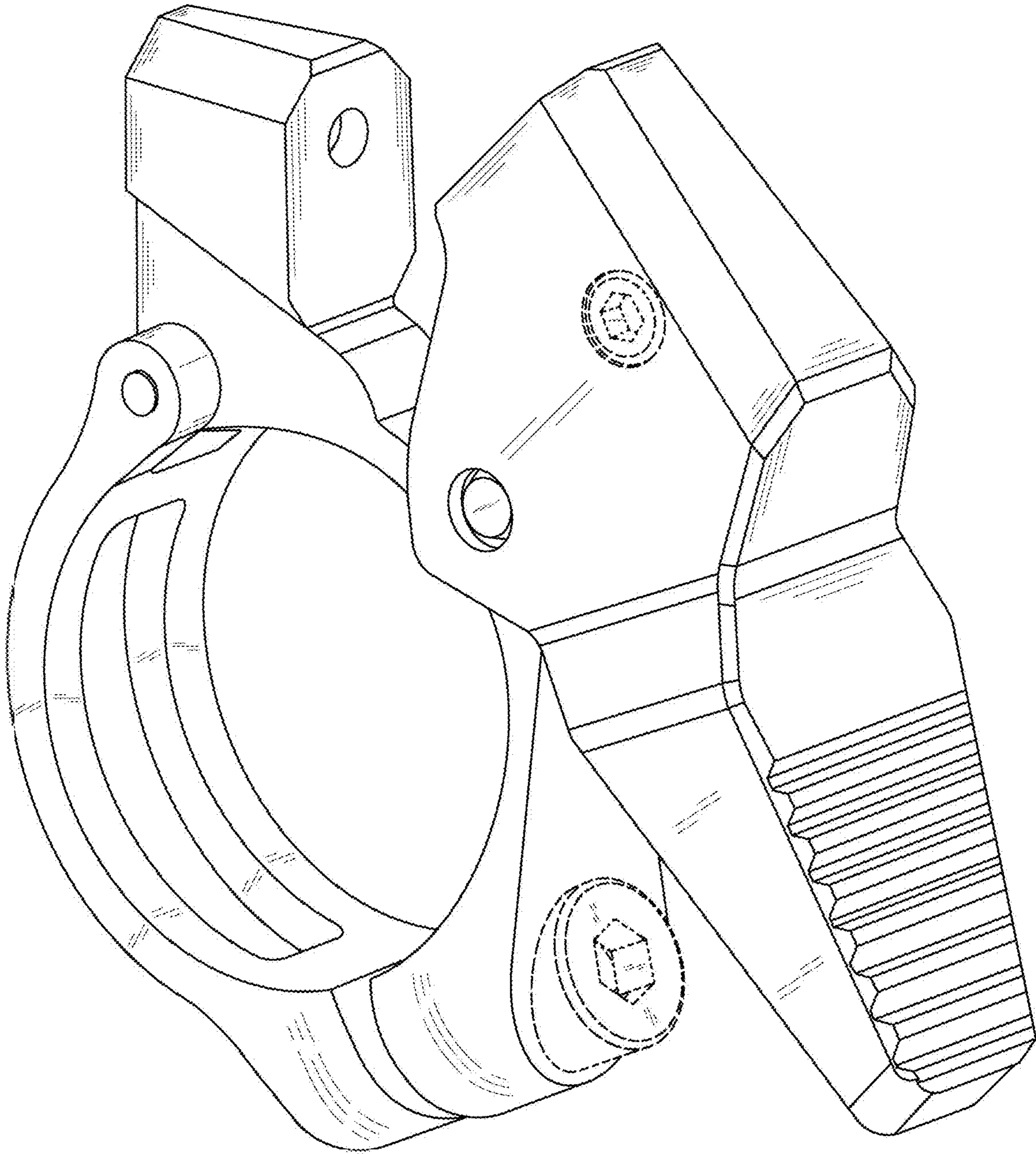


Fig. 9

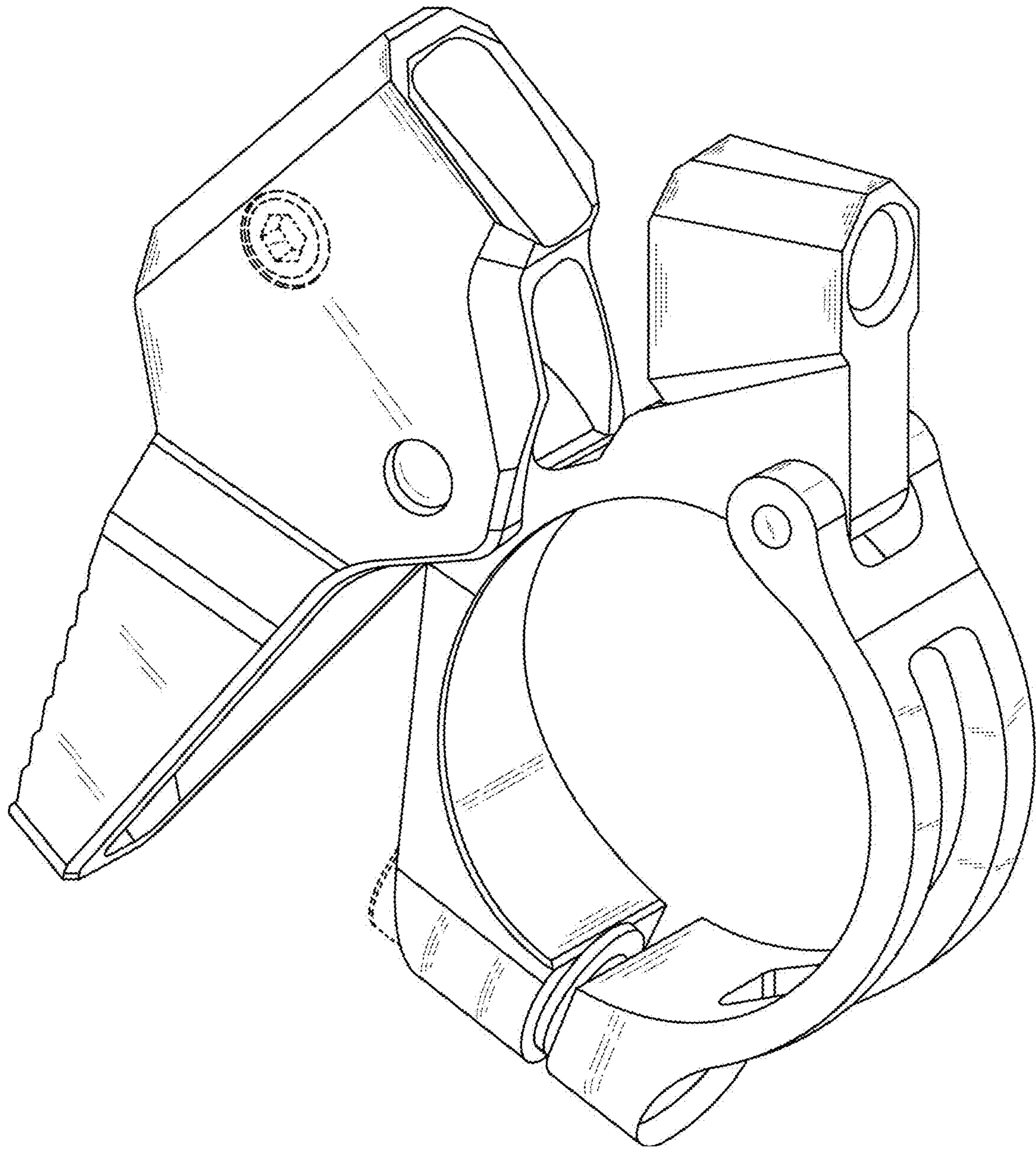


Fig. 10