



US00D938271S

(12) **United States Design Patent** (10) **Patent No.:** **US D938,271 S**  
**Shen** (45) **Date of Patent:** **\*\* Dec. 14, 2021**

(54) **ADJUSTABLE BAR CLAMP**  
(71) Applicant: **S2B, Inc.**, Ontario, CA (US)  
(72) Inventor: **Justin Shen**, Eastvale, CA (US)  
(73) Assignee: **S2B, Inc.**, Rancho Cucamonga, CA (US)  
(\*\*) Term: **15 Years**

D827,405 S \* 9/2018 Chun ..... D8/72  
D827,573 S \* 9/2018 Pettey ..... D13/120  
D850,900 S \* 6/2019 Yesavage ..... D8/396  
D877,485 S \* 3/2020 Rampersaud ..... D3/10  
D899,241 S \* 10/2020 Gridley ..... D8/396  
D911,158 S \* 2/2021 Jenkins ..... D8/394  
D926,019 S \* 7/2021 Orikawa ..... E05B 73/00  
D8/343  
2005/0205722 A1 \* 9/2005 Krueger ..... F16L 3/133  
248/62

(21) Appl. No.: **29/724,057**  
(22) Filed: **Feb. 12, 2020**  
(51) **LOC (13) Cl.** ..... **08-08**  
(52) **U.S. Cl.**  
USPC ..... **D8/396**  
(58) **Field of Classification Search**  
USPC ..... D8/72-73, 367, 394-396; D23/259, 269;  
D24/155  
CPC ..... H01R 13/639; F16B 45/02; F16B 2/06;  
A61F 5/448; F16L 33/06; F16L 37/00;  
F16L 23/06  
See application file for complete search history.

(Continued)

FOREIGN PATENT DOCUMENTS

CN 305695278 \* 4/2020  
*Primary Examiner* — John R Yeh  
(74) *Attorney, Agent, or Firm* — David T. Bennett

(57) **CLAIM**

I claim the ornamental design for an adjustable bar clamp, as shown and described.

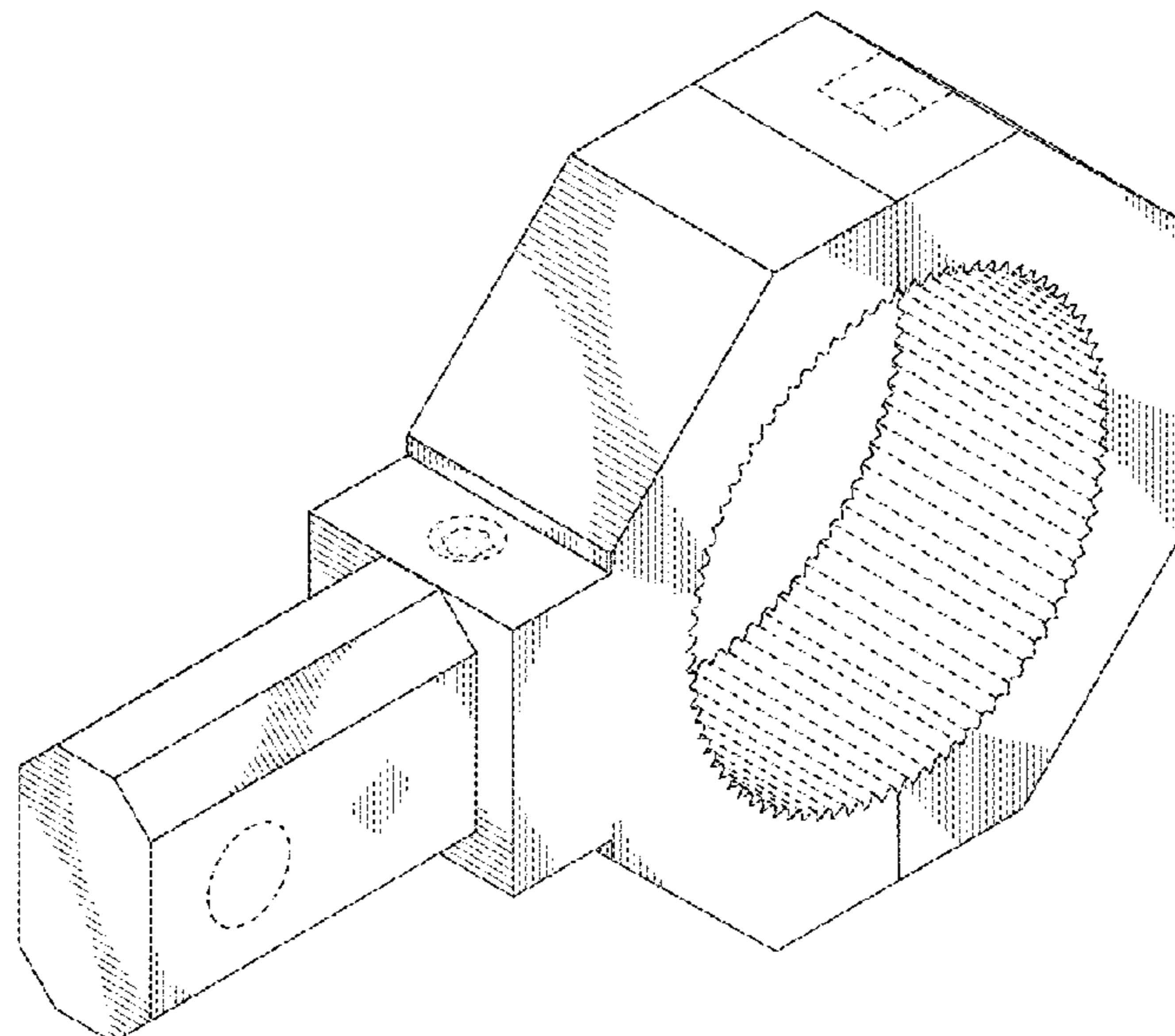
**DESCRIPTION**

FIG. 1 is a left perspective view of my new design for an adjustable bar clamp;  
FIG. 2 is a right perspective view thereof;  
FIG. 3 is a left exploded view thereof;  
FIG. 4 is a left side view thereof;  
FIG. 5 is a top view thereof;  
FIG. 6 is a bottom view thereof;  
FIG. 7 is a right perspective view of the clamp insert;  
FIG. 8 is a left perspective view thereof; and,  
FIG. 9 is a rear perspective view of the adjustable bar clamp in a state of use.  
The broken lines in FIGS. 1-8 depict portions of the adjustable bar clamp that form no part of the claimed design. Additional broken lines in FIGS. 3 and 9 depict environment of the adjustable bar clamp and form no part of the claimed design.

(56) **References Cited**  
U.S. PATENT DOCUMENTS

D392,555 S \* 3/1998 Glickman ..... D8/382  
D420,569 S \* 2/2000 Evans ..... D8/382  
D450,991 S \* 11/2001 Nardoza ..... D8/73  
D516,904 S \* 3/2006 Kendrick ..... D8/395  
D536,607 S \* 2/2007 Bekkevold ..... D8/396  
D704,540 S \* 5/2014 Shibamoto ..... D8/394  
D708,053 S \* 7/2014 Marini ..... D8/396  
D743,244 S \* 11/2015 Anderson ..... D8/394  
D748,016 S \* 1/2016 Wang ..... D12/114  
D761,101 S \* 7/2016 Seo ..... D8/396  
D795,684 S \* 8/2017 Cacciabeve ..... B60Q 3/35  
D8/394  
D817,147 S \* 5/2018 Llewellyn ..... D8/330  
D819,806 S \* 6/2018 Koehler ..... D24/128  
D824,247 S \* 7/2018 Minai ..... D8/396

**1 Claim, 9 Drawing Sheets**



(56)

**References Cited**

U.S. PATENT DOCUMENTS

2019/0136642 A1\* 5/2019 Persent ..... E21B 17/085  
2019/0383431 A1\* 12/2019 Magagna ..... F16B 2/10

\* cited by examiner

Fig. 1

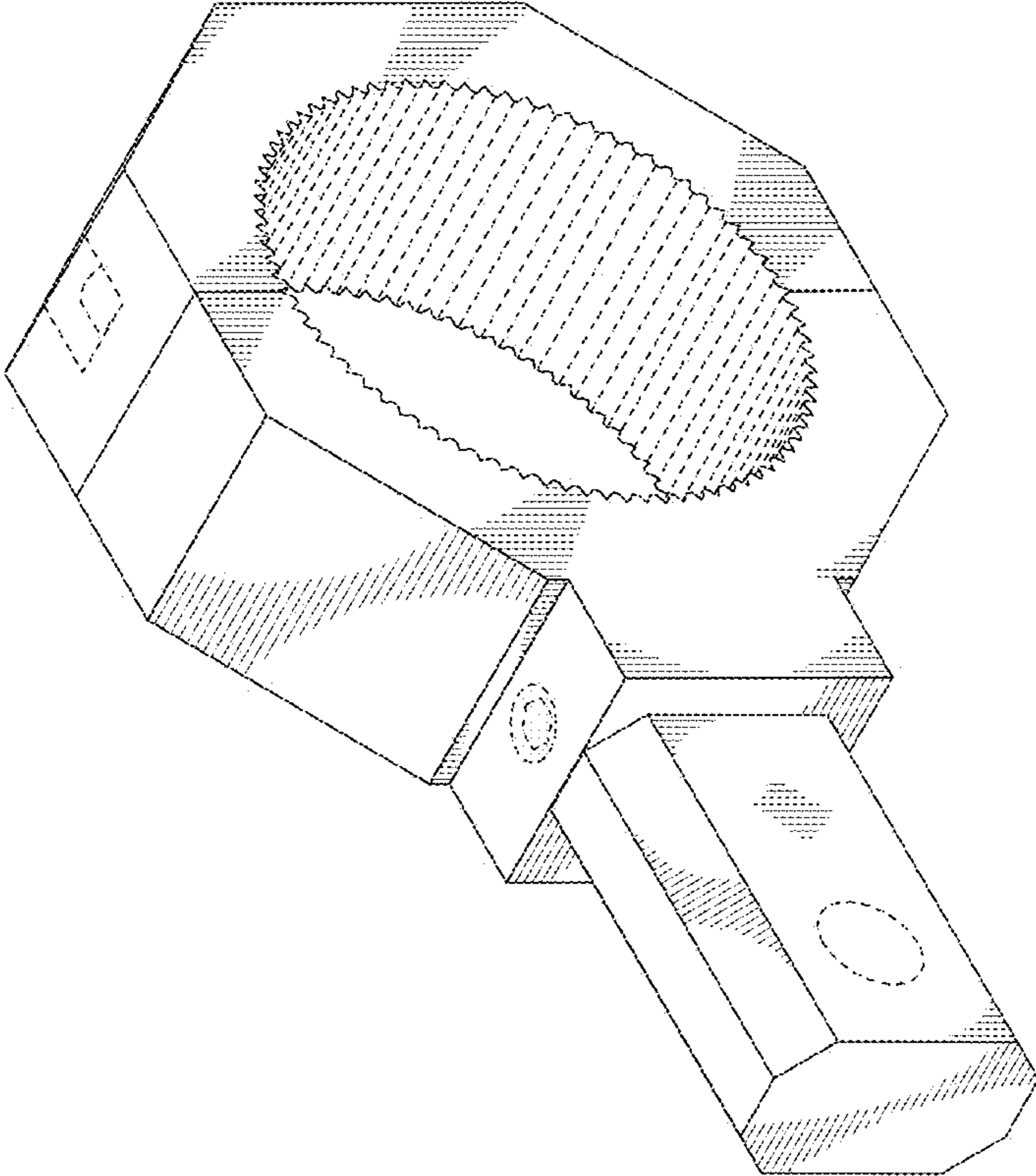
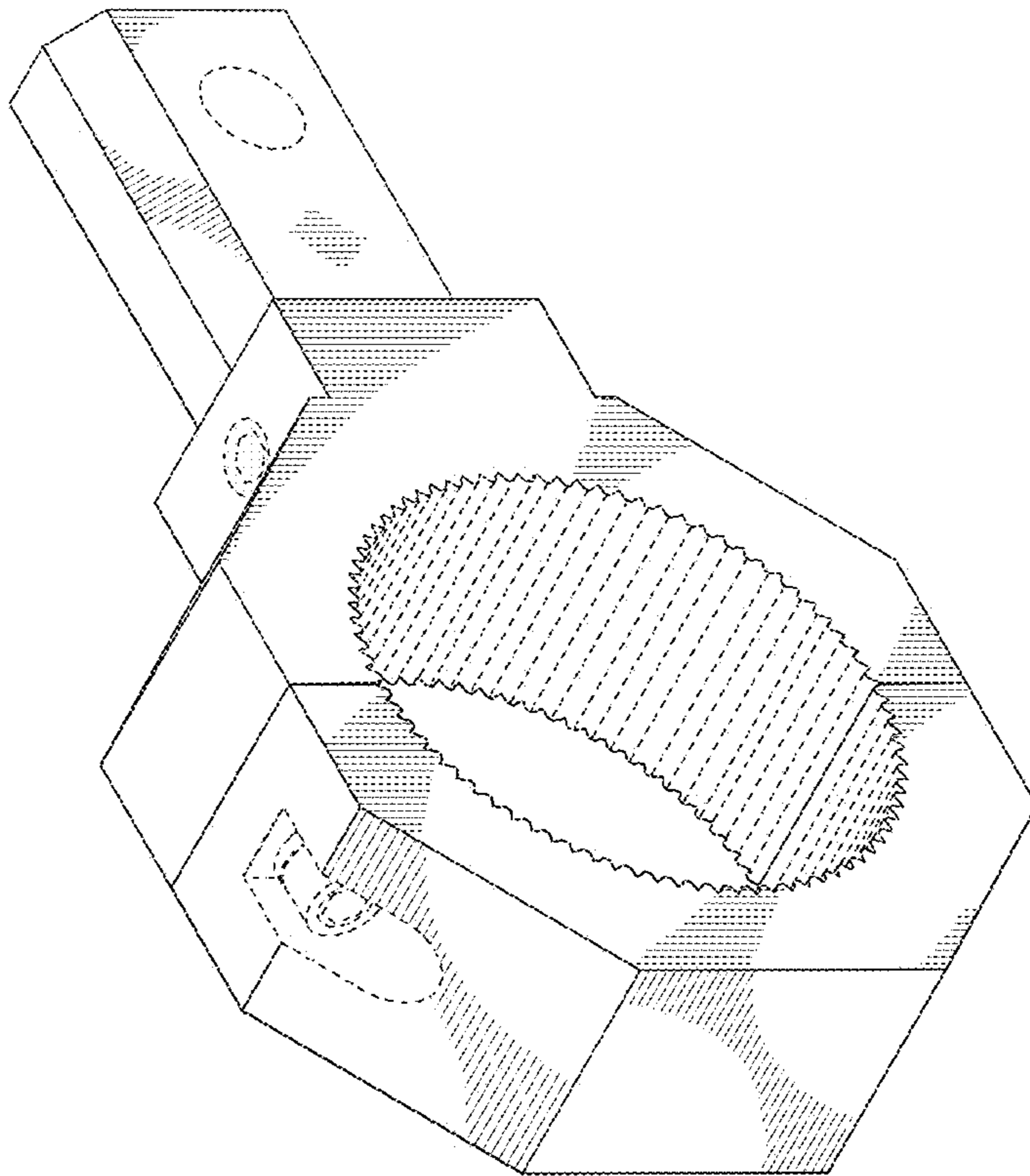


Fig. 2



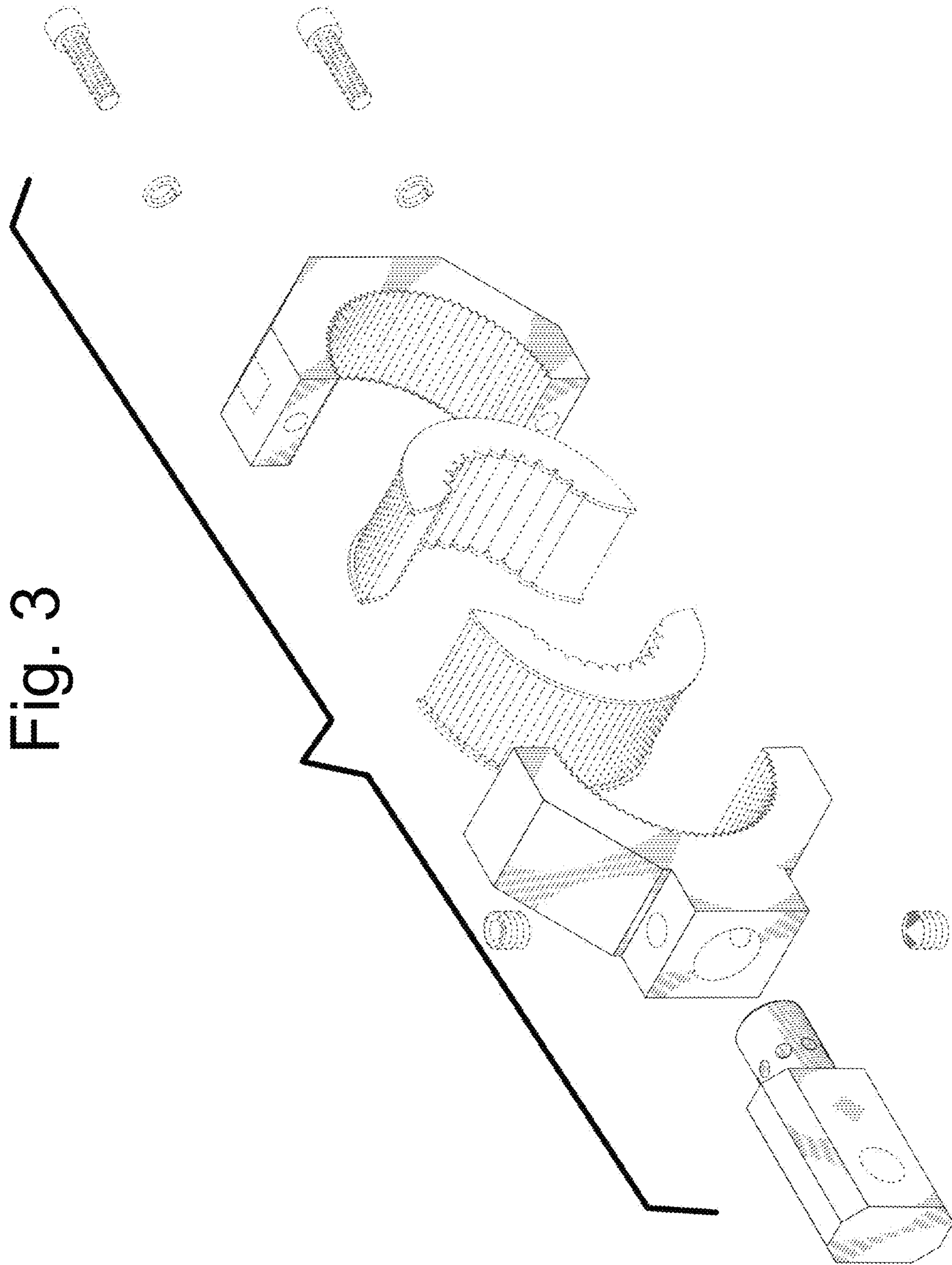


Fig. 3

Fig. 4

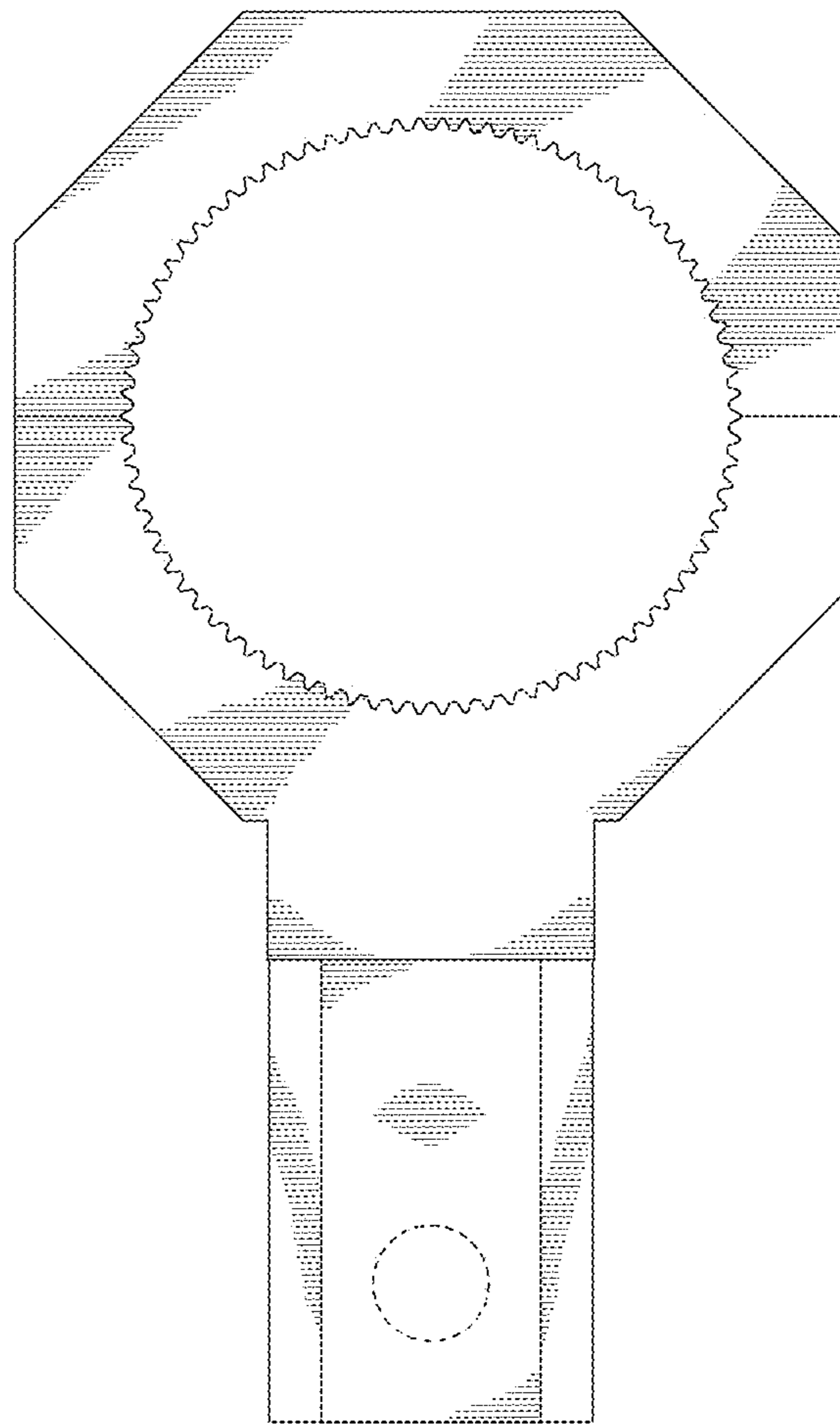


Fig. 5

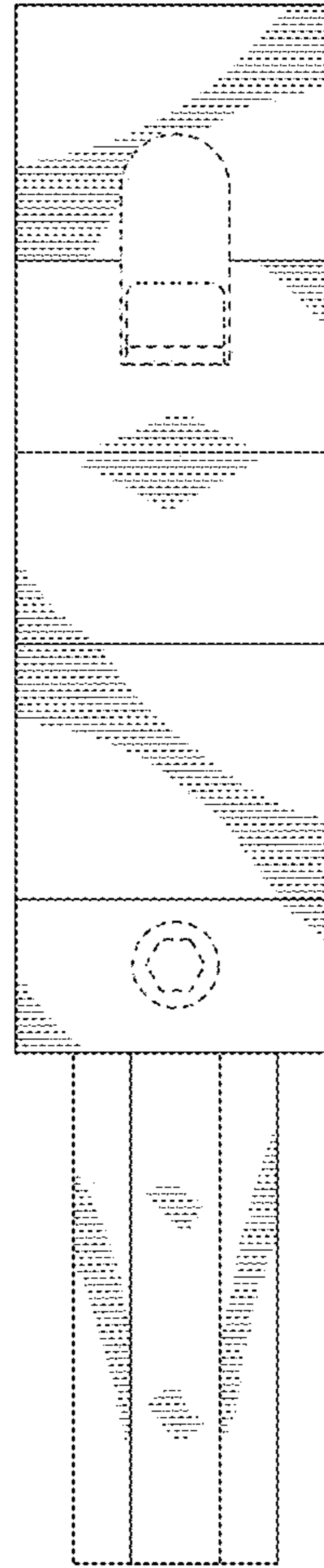


Fig. 6

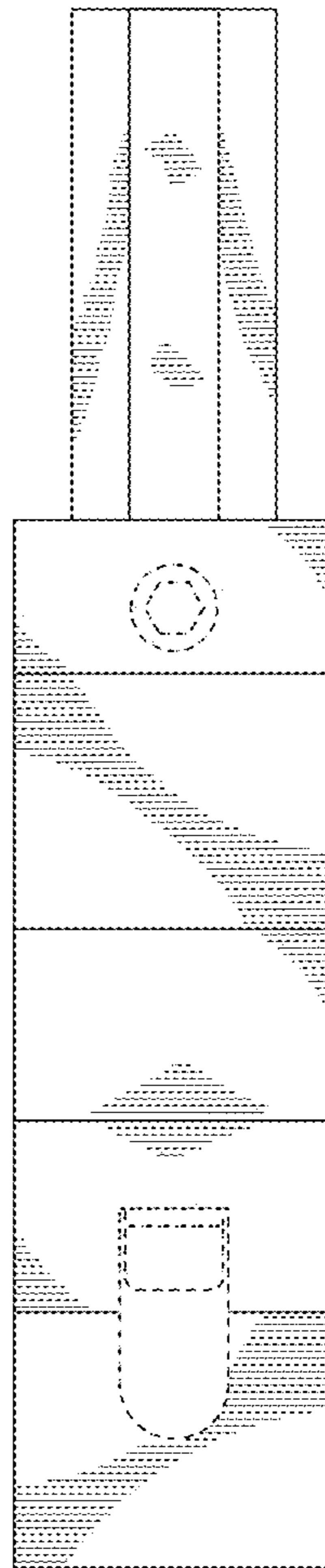




Fig. 7

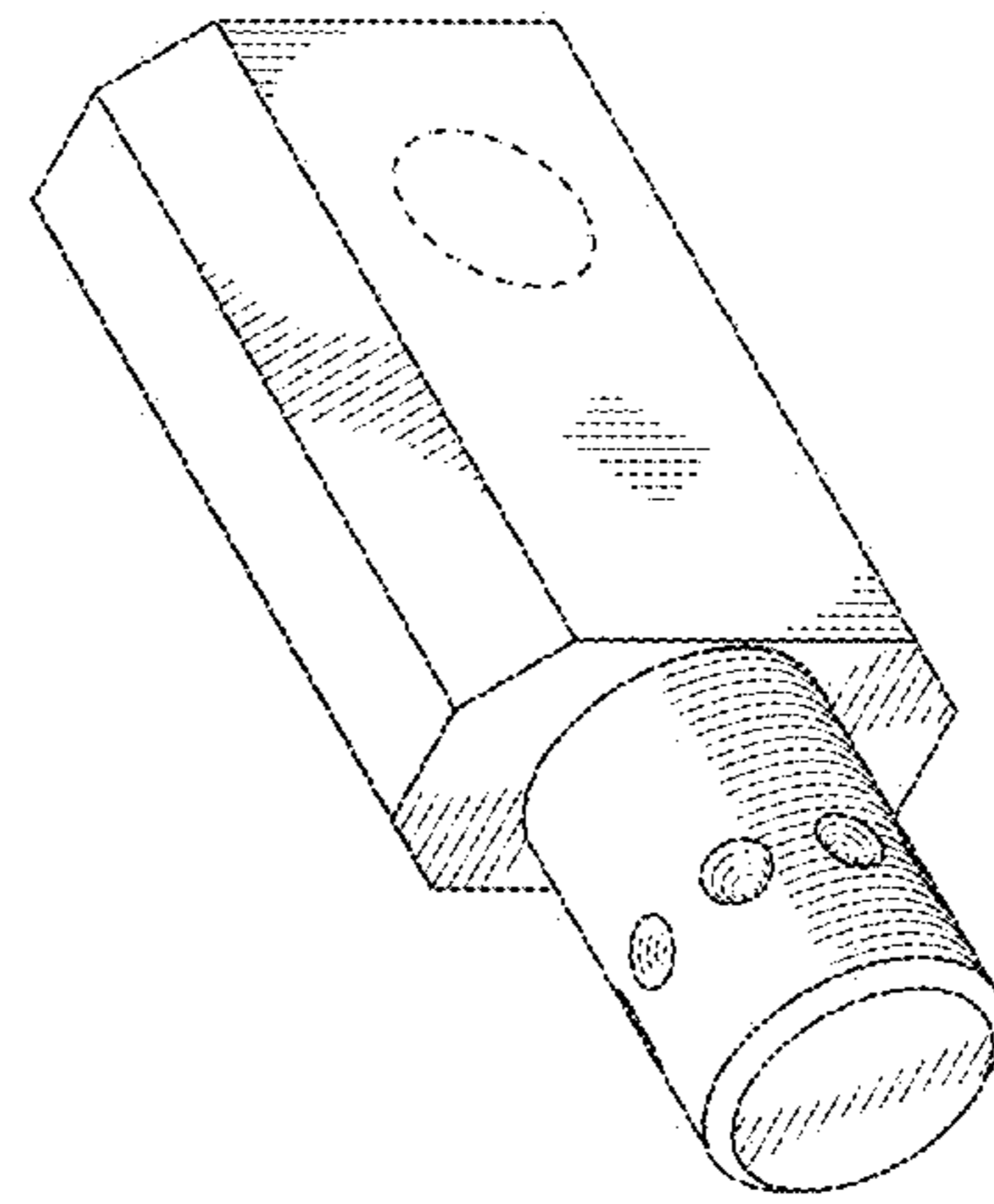


Fig. 8

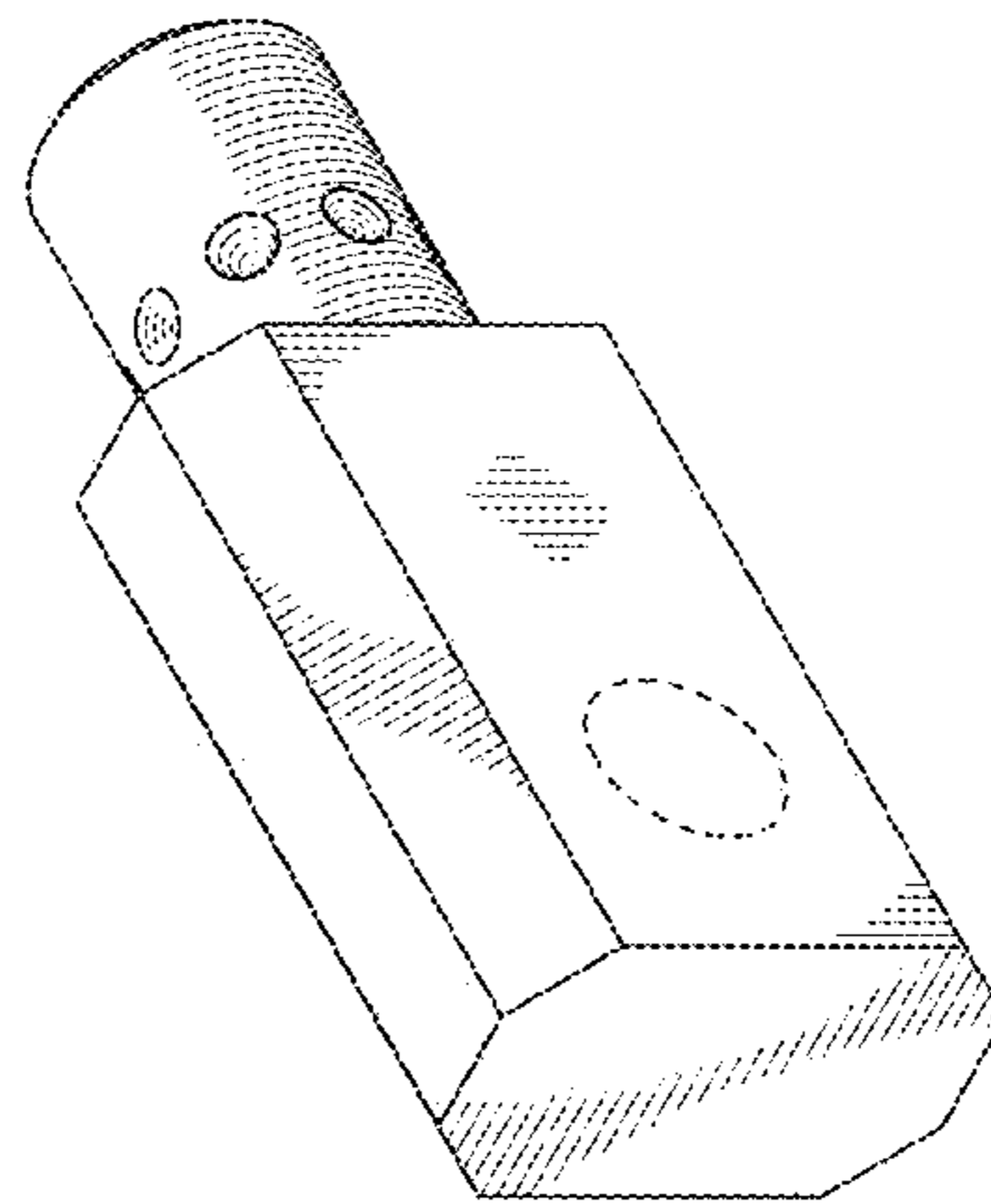


Fig. 9

