



US00D938270S

(12) **United States Design Patent**
Hall

(10) **Patent No.:** **US D938,270 S**

(45) **Date of Patent:** **** Dec. 14, 2021**

(54) **CLAMP MOUNT**

(71) Applicant: **Taylor James Hall**, Palatine, IL (US)

(72) Inventor: **Taylor James Hall**, Palatine, IL (US)

(73) Assignee: **Nomis LLC**, Palatine, IL (US)

(**) Term: **15 Years**

(21) Appl. No.: **29/715,119**

(22) Filed: **Nov. 27, 2019**

(51) **LOC (13) Cl.** **08-08**

(52) **U.S. Cl.**
USPC **D8/394**

(58) **Field of Classification Search**
USPC D8/72-73, 355, 367, 394-396; D23/259,
D23/269; D24/155; D26/60
CPC H01R 13/639; F16B 45/02; F16B 2/06;
A61F 5/448; F16L 33/06; F16L 37/00;
F16L 23/06; F21V 33/00
See application file for complete search history.

(56) **References Cited**

U.S. PATENT DOCUMENTS

1,026,475 A	5/1912	Tarbuck	
1,808,318 A	6/1931	Pleister	
1,954,708 A	4/1934	Mass	
2,260,708 A *	10/1941	French	B25B 5/109 269/160
2,463,966 A	3/1949	Hauschild	
2,498,892 A *	2/1950	Lush	B25B 5/14 144/306
2,525,198 A	10/1950	Beijl	
2,577,029 A	12/1951	Moorehead	
2,625,861 A	1/1953	Swanson	
2,627,787 A	2/1953	Zitner	
2,658,540 A	11/1953	Sobaski	
2,705,441 A	4/1955	Armstrong	
2,723,432 A *	11/1955	Flora	F16B 5/0685 248/73

2,955,504 A	10/1960	Lovrinch et al.	
2,983,289 A	5/1961	McKinley	
2,988,122 A	6/1961	Stevens et al.	
3,124,347 A	3/1964	Haddad	
3,171,321 A	3/1965	Fischer	
3,227,438 A *	1/1966	Sequin	B25B 5/105 269/94
D228,224 S	8/1973	Schlanger	
3,941,364 A	3/1976	Hjelm et al.	
3,984,092 A	10/1976	Fitzpatrick	
4,245,827 A	1/1981	Goff et al.	
4,432,538 A	2/1984	Sequin	
4,470,586 A	9/1984	Spencer	

(Continued)

OTHER PUBLICATIONS

Forklift Clamp, ProClipUSA website 2021, site visited Aug. 14, 2021, <https://www.proclipusa.com/product/forklift-mount>.*

(Continued)

Primary Examiner — John R Yeh

(74) *Attorney, Agent, or Firm* — Reinhart Boerner Van Deuren P.C.

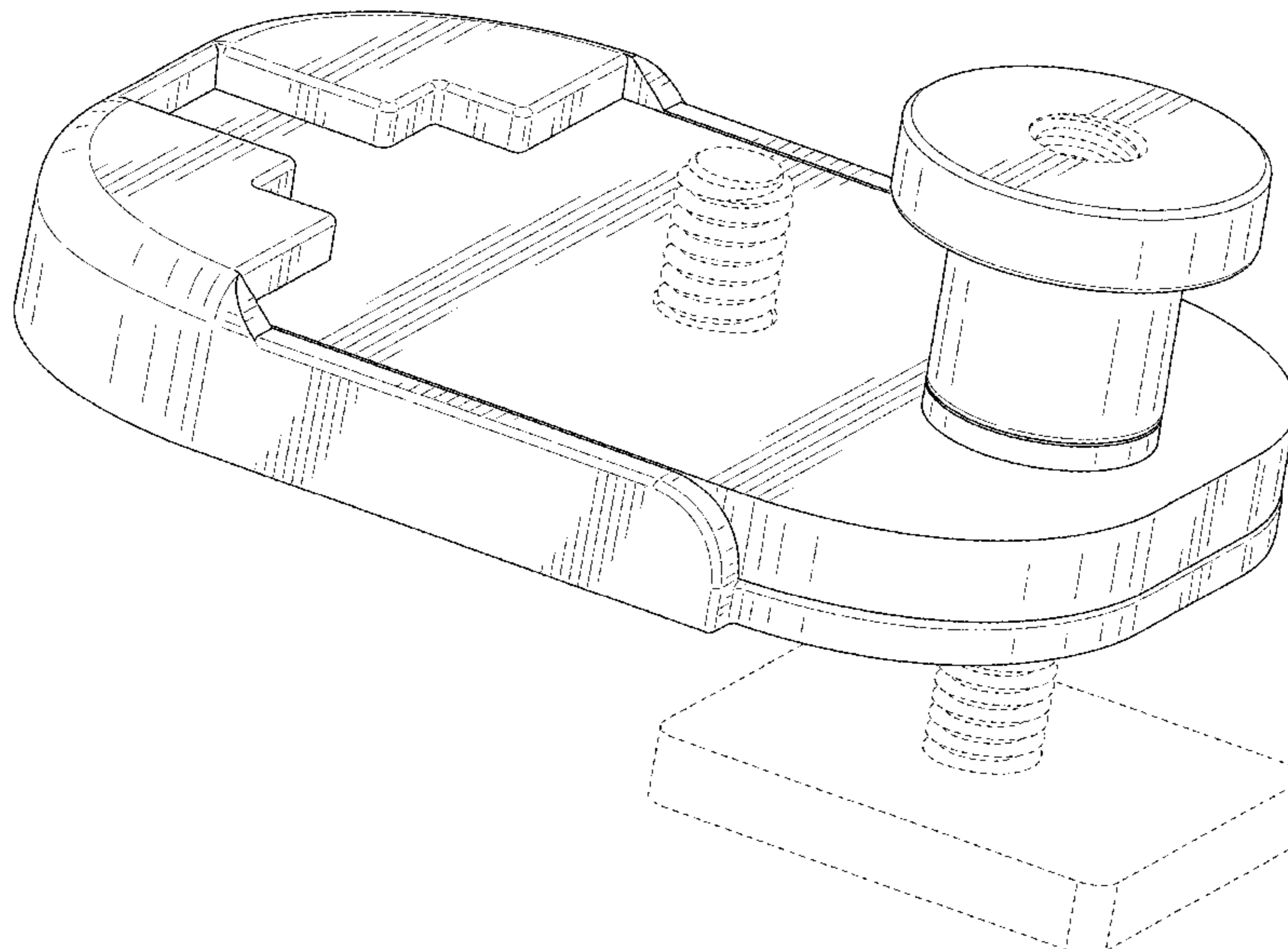
(57) **CLAIM**

I claim the ornamental design for the clamp mount, as shown and described.

DESCRIPTION

FIG. 1 is a top perspective view of the clamp mount; FIG. 2 is a bottom perspective view of the clamp mount; FIG. 3 is a front view of the clamp mount; FIG. 4 is a back view of the clamp mount; FIG. 5 is a side view of the clamp mount; FIG. 6 is a side view of the clamp mount showing the side opposite that shown in FIG. 5; FIG. 7 is a top view of the clamp mount; and, FIG. 8 is a bottom view of the clamp mount. The broken lines form no part of the claimed design.

1 Claim, 8 Drawing Sheets



(56)

References Cited

U.S. PATENT DOCUMENTS

4,475,728 A 10/1984 Haddad
 D278,024 S 3/1985 Hoffman
 4,957,402 A 9/1990 Klein et al.
 4,989,654 A 2/1991 Berkeley
 5,165,673 A 11/1992 Newton
 5,443,554 A 8/1995 Robert
 5,584,254 A 12/1996 Williams
 5,617,909 A 4/1997 Duginske
 6,394,712 B1 5/2002 Weinstein et al.
 6,446,313 B2 9/2002 Pfister
 6,714,747 B2 4/2004 Nishimura
 6,893,012 B2 5/2005 Wong
 6,932,335 B1 8/2005 Dykstra
 D538,315 S * 3/2007 Bernhardt D15/140
 7,272,994 B1 9/2007 Johnson
 D561,008 S 2/2008 Jones
 7,465,128 B2 12/2008 Bruneau
 D627,614 S 11/2010 Flint
 7,922,130 B2 4/2011 Hawkins
 7,980,521 B2 * 7/2011 Harr A61M 5/1415
 248/229.1
 7,980,538 B1 7/2011 Weiby
 8,104,754 B1 1/2012 Clark
 8,469,343 B2 6/2013 Clark
 D687,693 S * 8/2013 Caudle D8/40
 D705,634 S * 5/2014 Furey D8/72
 D719,000 S * 12/2014 Palmer B62B 5/0083
 D8/73
 D736,068 S * 8/2015 Taylor D8/355
 D736,585 S * 8/2015 Furey D8/72
 9,120,205 B2 9/2015 Clark
 9,211,635 B2 12/2015 Poole
 D769,108 S * 10/2016 Eberl D8/380
 9,475,197 B1 10/2016 McAuley
 D782,928 S * 4/2017 Takakuwa D10/103
 D782,929 S * 4/2017 Takakuwa D10/103
 D782,930 S 4/2017 Takakuwa
 D782,931 S 4/2017 Takakuwa
 D793,851 S * 8/2017 Mann D8/394
 D811,844 S * 3/2018 Gordon B23Q 3/066
 D8/74
 D827,405 S * 9/2018 Chun D8/72
 D850,880 S * 6/2019 Walters D8/73
 D888,523 S * 6/2020 Good D8/72

D894,708 S * 9/2020 Nguyen D8/72
 2005/0077666 A1 4/2005 Chang
 2007/0267799 A1 11/2007 Dykstra
 2011/0241246 A1 10/2011 Knox
 2016/0046001 A1 2/2016 Clark et al.
 2020/0338694 A1 10/2020 Larkin

OTHER PUBLICATIONS

U.S. Appl. No. 29/681,897, filed Feb. 28, 2019, Hall.
 U.S. Appl. No. 16/289,124, filed Feb. 28, 2019, Hall.
 U.S. Appl. No. 16/691,166, filed Nov. 21, 2019, Hall.
 Images of non-patent literature designs known prior to filing date of Feb. 28, 2019; 3 pages.
 Kreg Tool Company; Bench Clamp Base; pages printed from the internet; date last visited May 28, 2019; <https://www.kregtool.com/store/c29/bench-clamps/p433/bench-clamp-base/>; 6 pages.
 Kreg Tool Company; Bench Clamp; pages printed from the internet; date last visited May 28, 2019; https://www.ptreeusa.com/clamp_bench.htm; 11 pages.
 Kreg Tool Company; Bench Dogs; pages printed from the internet; date last visited May 28, 2019; https://www.ptreeusa.com/clamp_bench_dogs.html; 3 pages.
 Bench clamp, Product 1, known prior to Nov. 2, 2017; 1 page.
 Bench clamp, Product 2, known prior to Nov. 2, 2017; 1 page.
 Bench clamp, Product 3, known prior to Nov. 2, 2017; 1 page.
 Bench clamp, Product 4, known prior to Nov. 2, 2017; 1 page.
 Bench clamp, Product 5, known prior to Nov. 2, 2017; 1 page.
 Bench clamp shown with high-profile horizontal clamp, Product 6, known prior to Nov. 2, 2017.
 Peachtree Woodworking Supply Inc.; Kreg Bench Clamps; pages from the internet; date last visited Feb. 1, 2018; https://www.ptreeusa.com/clamp_bench.htm; 10 pages.
 Kreg Tool Company; Bench Clamp Base; pages from the internet; date last visited Feb. 1, 2018; <https://www.kregtool.com/store/c29/bench-clamps/p433/bench-clamp-base/>; 6 pages.
 Peachtree Woodworking Supply Inc.; Kreg Bench Dogs; pages from the internet; date last visited Feb. 1, 2018; https://www.ptreeusa.com/clamp_bench_dogs.htm; 3 pages.
 Peachtree Woodworking Supply Inc.; Clamps & Accessories; pages from the internet; date last visited Feb. 2, 2018; https://www.ptreeusa.com/clamp_brand_kreq.htm; 13 pages.

* cited by examiner

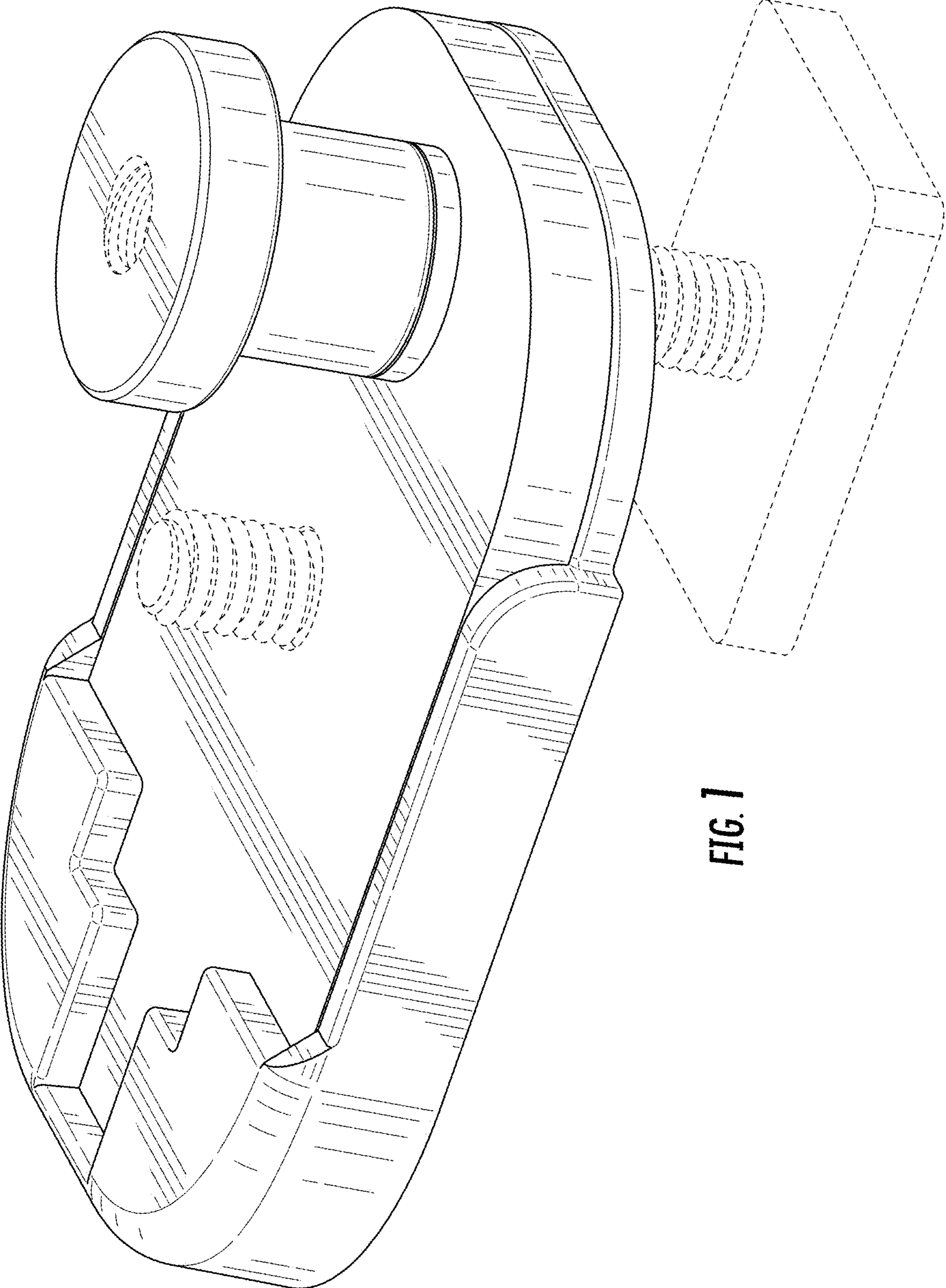


FIG. 1

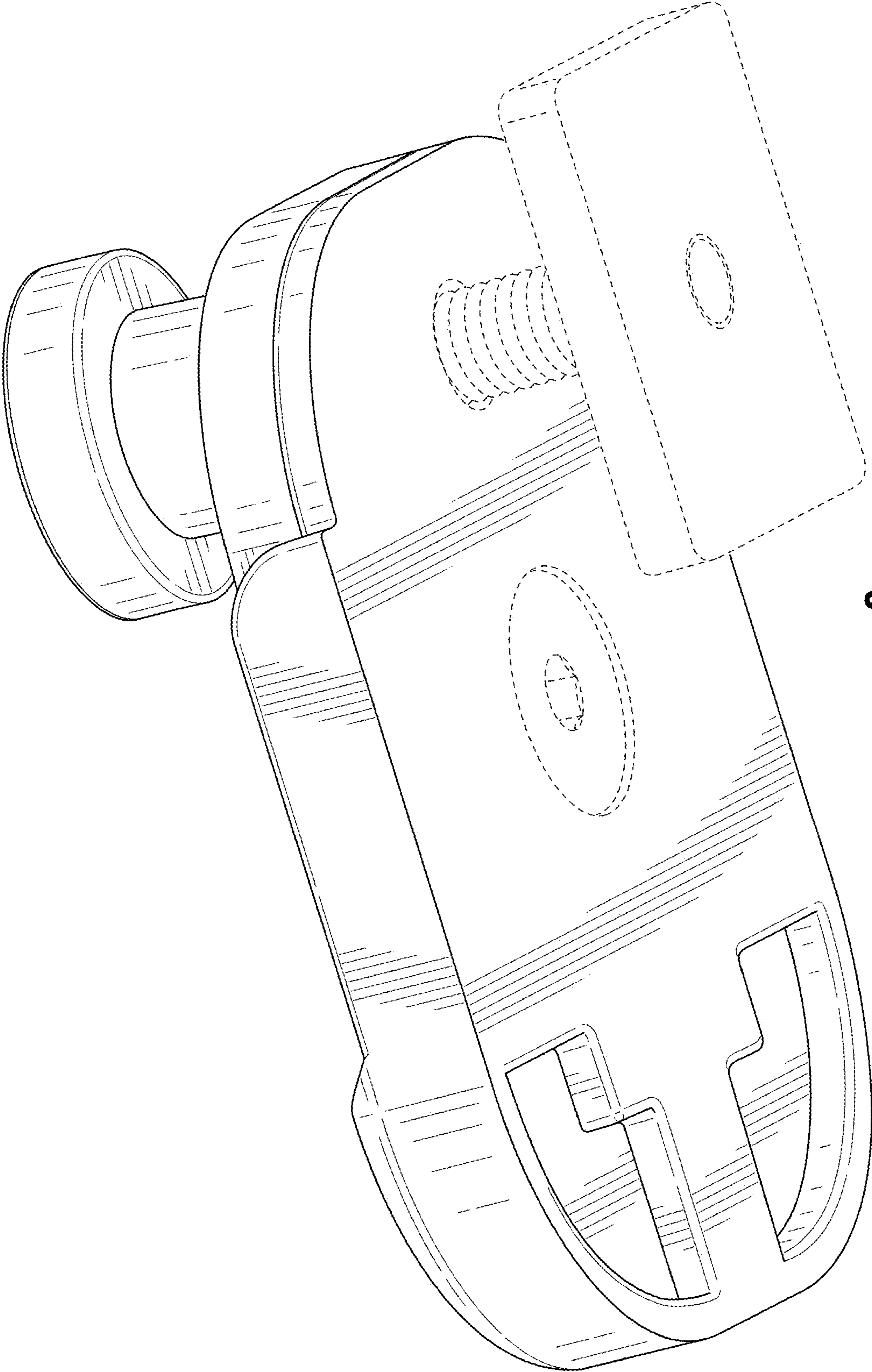


FIG. 2

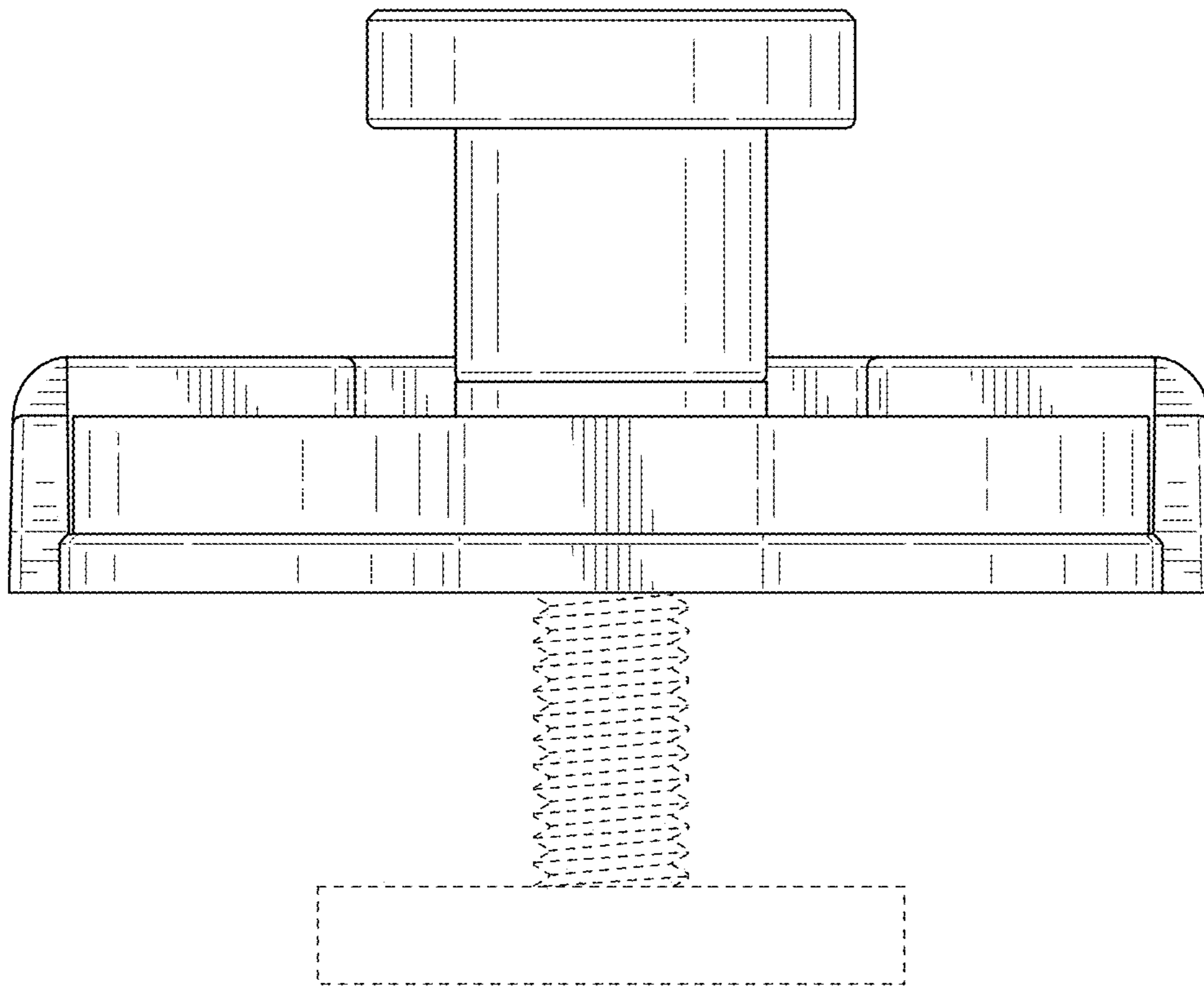


FIG. 3

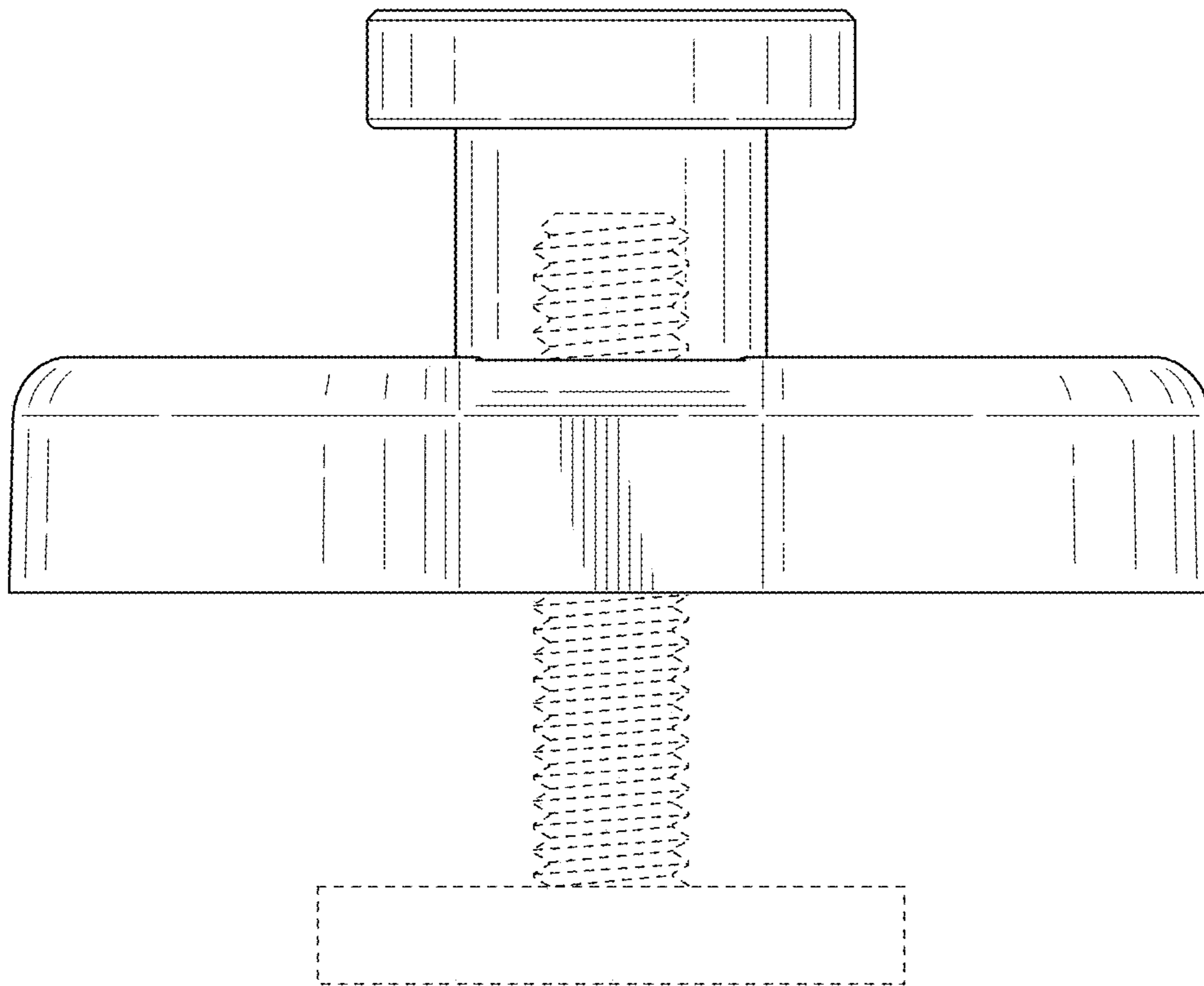


FIG. 4

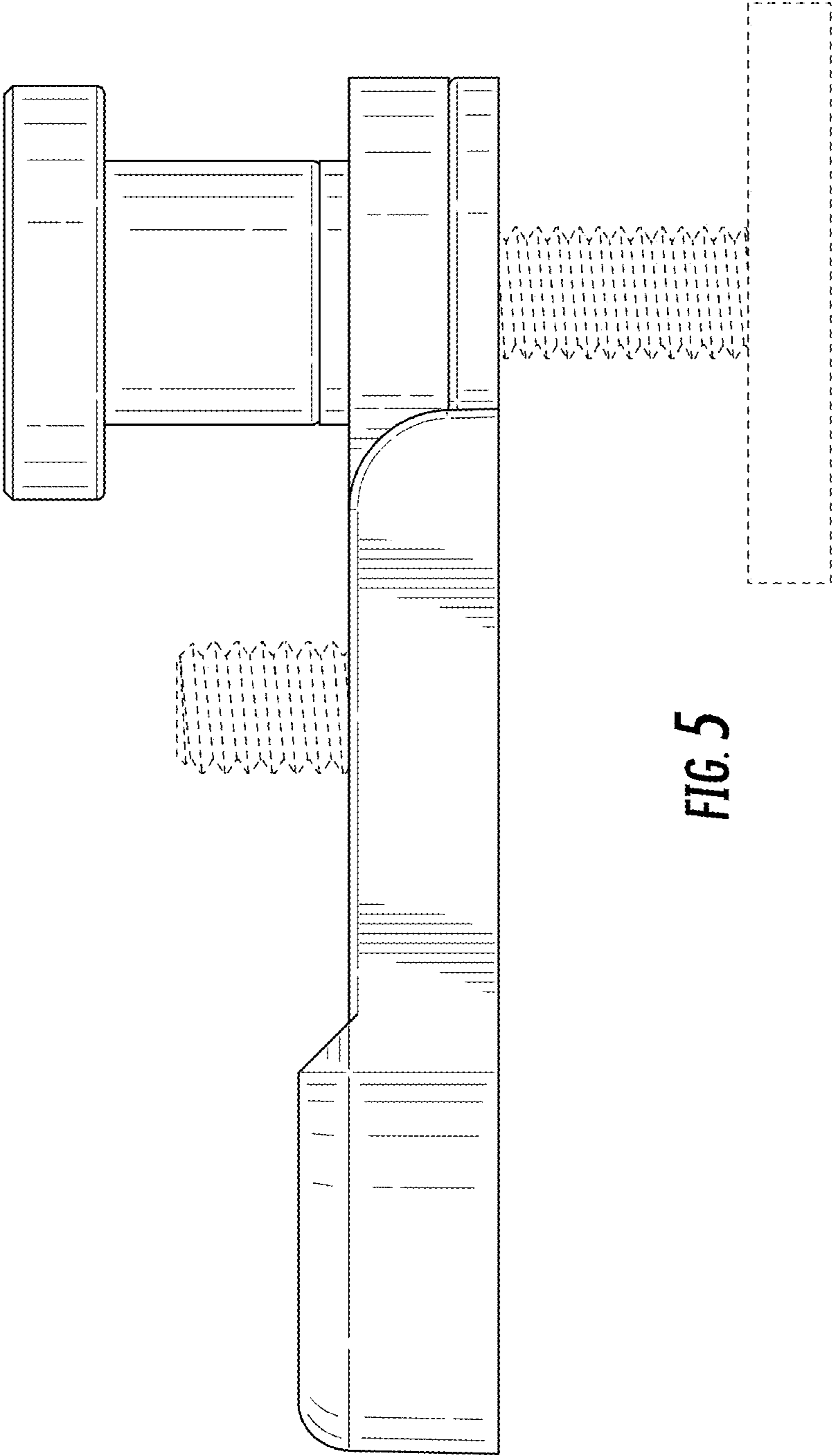


FIG. 5

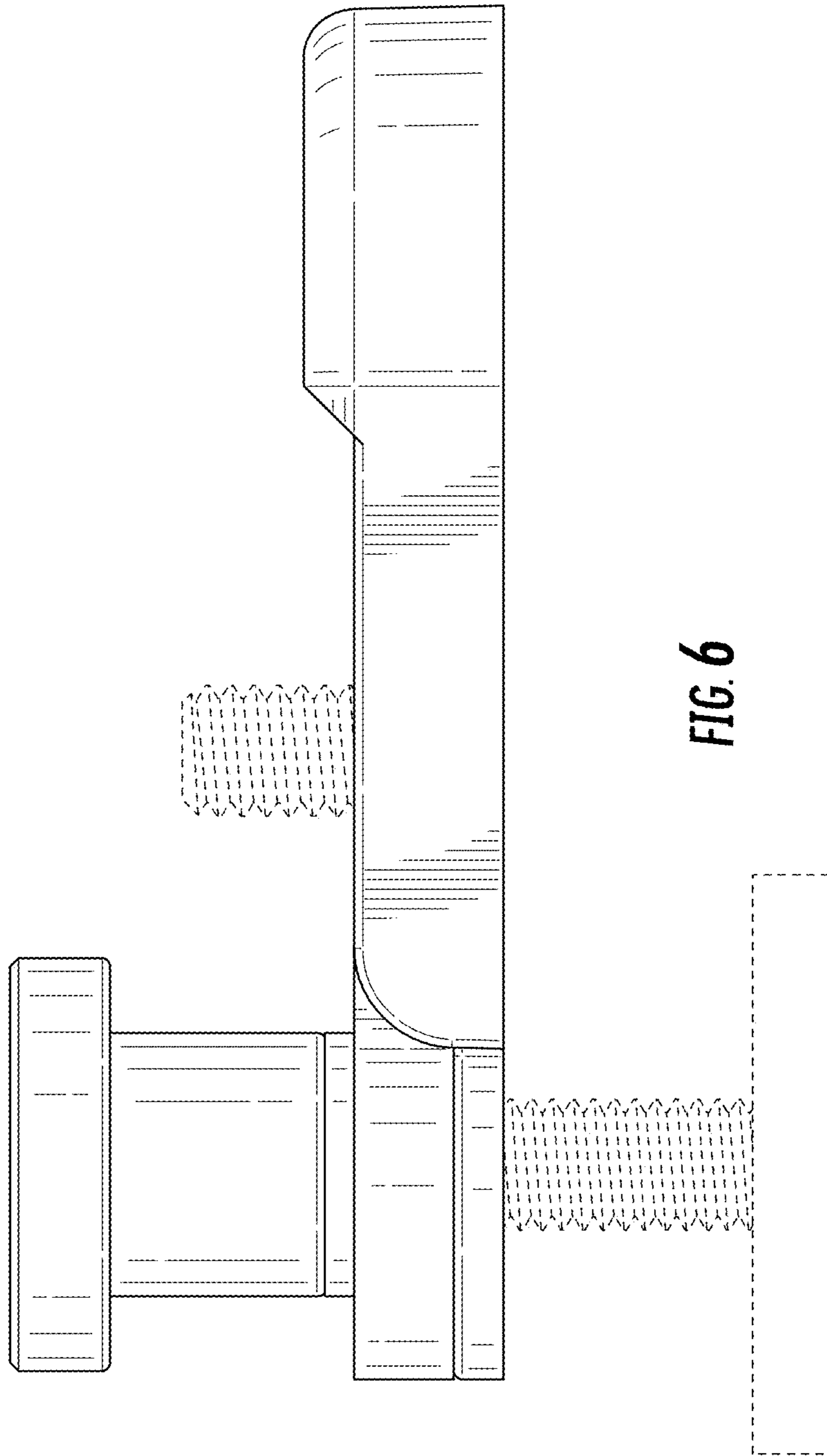


FIG. 6

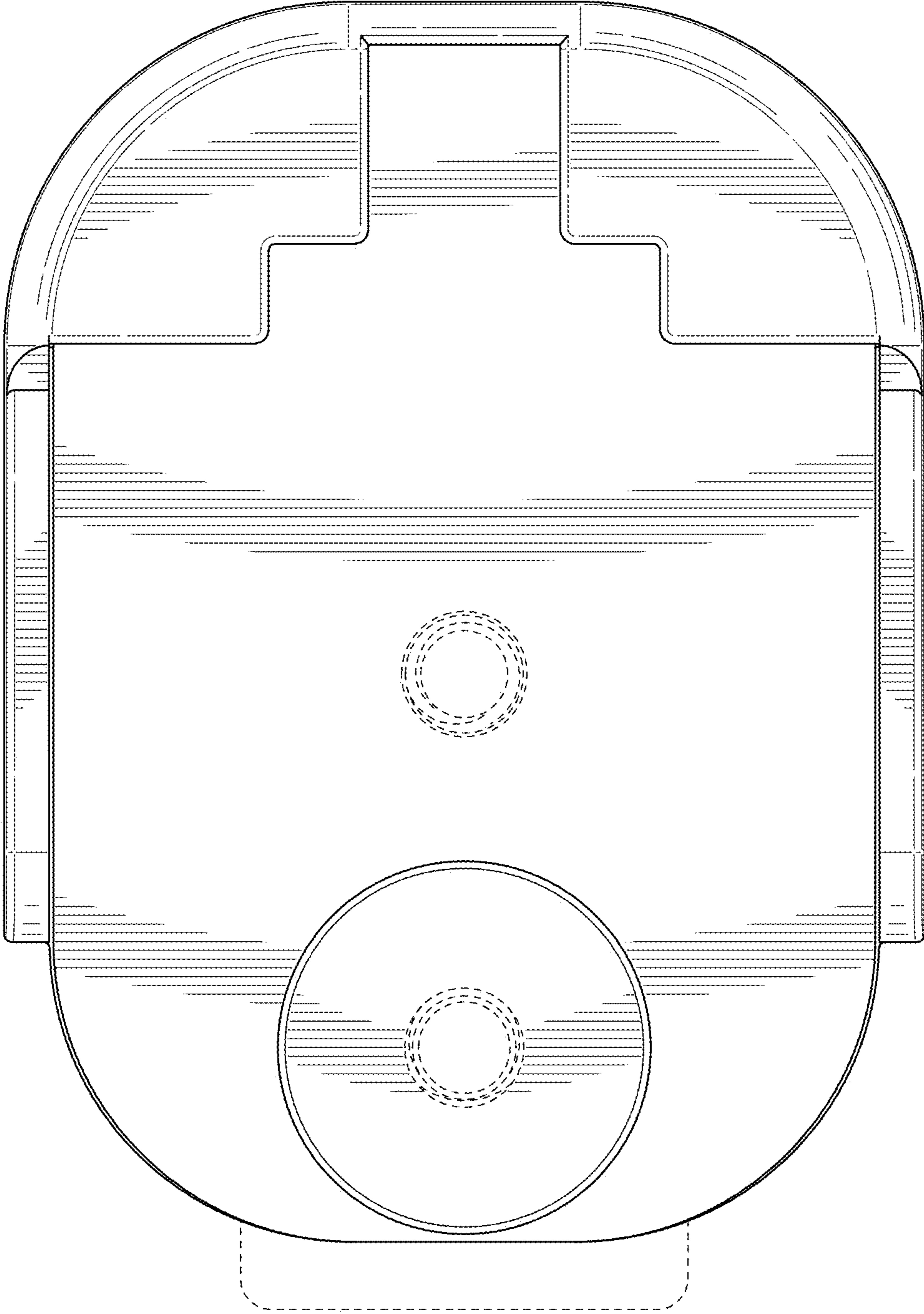


FIG. 7

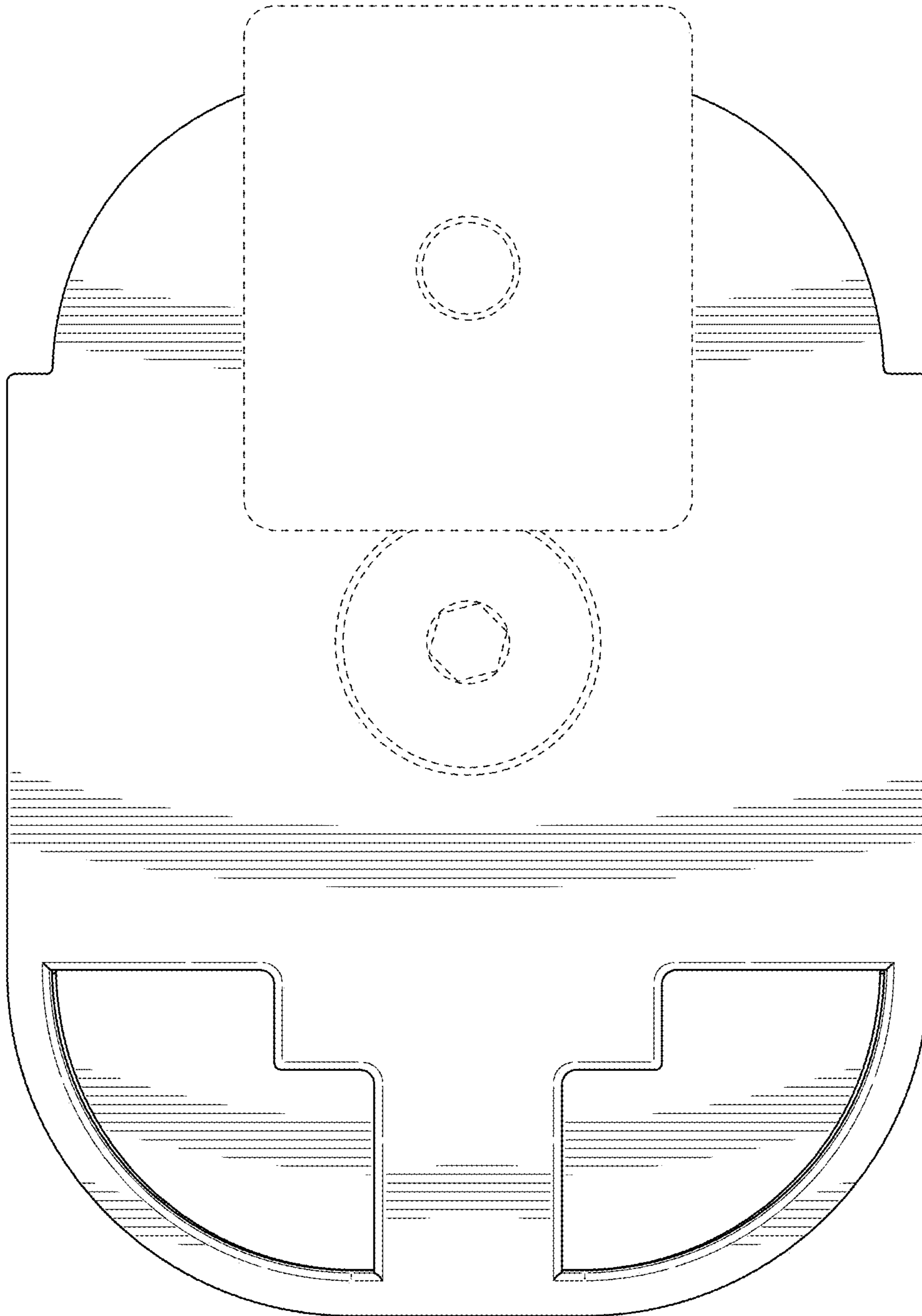


FIG. 8