



US00D938268S

(12) **United States Design Patent**  
**Heindl**

(10) **Patent No.:** **US D938,268 S**

(45) **Date of Patent:** **\*\* Dec. 14, 2021**

(54) **SHEET PILE CONNECTOR**

(71) Applicant: **Richard Heindl**, Gräfelfing (DE)

(72) Inventor: **Richard Heindl**, Gräfelfing (DE)

(\*\*) Term: **15 Years**

(21) Appl. No.: **29/756,419**

(22) Filed: **Oct. 28, 2020**

(30) **Foreign Application Priority Data**

Apr. 28, 2020 (EM) ..... 007841895-0018

(51) **LOC (13) Cl.** ..... **08-08**

(52) **U.S. Cl.**  
USPC ..... **D8/382**

(58) **Field of Classification Search**  
USPC ..... D8/382, 394, 395; D25/119  
CPC .... E02D 5/02; E02D 5/04; E02D 5/06; E02D  
5/08; E02D 5/12; Y10T 403/73  
See application file for complete search history.

(56) **References Cited**

**U.S. PATENT DOCUMENTS**

- 1,197,374 A \* 9/1916 Hbbs ..... E02D 5/04  
405/281
- 1,460,263 A \* 6/1923 Ver Mehr ..... E02D 5/04  
405/281
- 1,498,778 A \* 6/1924 Boardman ..... E02D 5/04  
405/278
- 1,679,800 A \* 8/1928 Wemlinger ..... E02D 5/04  
405/281
- 1,799,152 A \* 4/1931 Boardman ..... E02D 5/04  
405/278
- 1,837,787 A 12/1931 Josef
- 1,855,113 A \* 4/1932 Nolte ..... E02D 5/08  
405/14
- 1,862,426 A \* 6/1932 Prielipp ..... E02D 5/04  
405/279

- 1,937,758 A \* 12/1933 Harris ..... E02D 5/08  
405/279
- 2,020,315 A \* 11/1935 Hughes ..... E02D 5/08  
405/278
- 2,090,728 A \* 8/1937 Heide ..... E02D 5/08  
405/278
- 2,128,428 A \* 8/1938 Murray, Jr. .... E02D 5/04  
405/278
- 2,128,740 A \* 8/1938 Dougherty ..... E02D 5/08  
405/281
- 2,332,812 A \* 10/1943 Rieger ..... E02D 5/08  
405/281
- D242,035 S \* 10/1976 Drawsky ..... D25/119
- 5,292,208 A \* 3/1994 Berger ..... E02D 5/12  
405/274
- D348,110 S \* 6/1994 Scherrer ..... D25/119
- 5,333,971 A \* 8/1994 Lewis ..... E02D 5/28  
405/274
- 6,000,883 A 12/1999 Irvine et al.

(Continued)

**OTHER PUBLICATIONS**

Office Action issued for U.S. Appl. No. 29/725,964. dated Feb. 4, 2021.

*Primary Examiner* — Holly E Thurman

*Assistant Examiner* — Ieisha N Price

(74) *Attorney, Agent, or Firm* — Meunier Carlin & Curfman LLC

(57) **CLAIM**

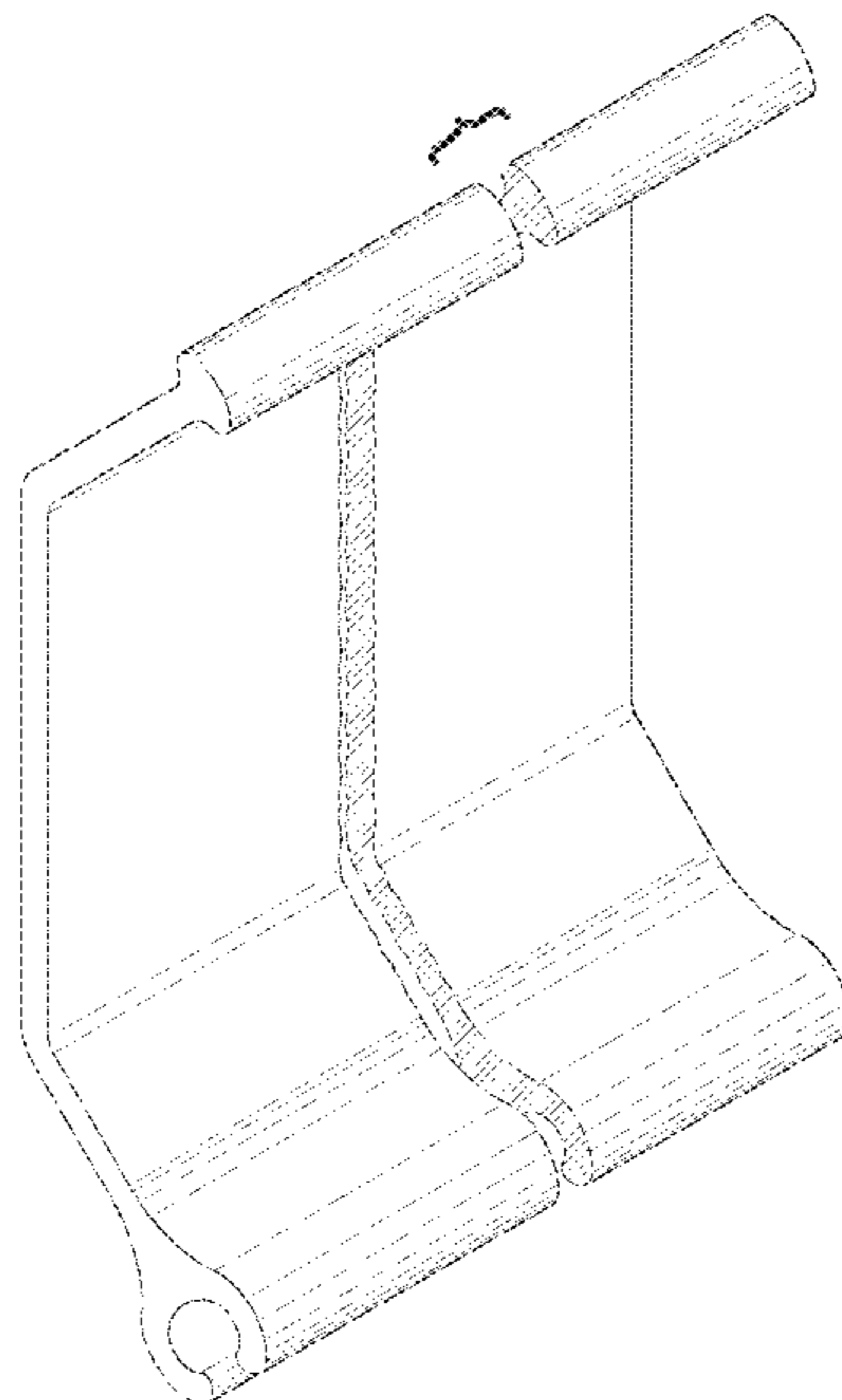
The ornamental design for a sheet pile connector, as shown and described.

**DESCRIPTION**

FIG. 1 is a front perspective view of my new design; and, FIG. 2 is a side view thereof.

The sheet pile connector is shown with a symbolic break in its length. The appearance of any portion of the article between the break lines forms no part of the claimed design.

**1 Claim, 2 Drawing Sheets**



(56)

References Cited

U.S. PATENT DOCUMENTS

6,420,014 B1	7/2002	Hartman	
D465,288 S	11/2002	Wall	
D471,793 S *	3/2003	Wall	D25/119
D479,797 S	9/2003	Wall	
D479,798 S	9/2003	Wall	
D479,983 S	9/2003	Wall	
7,018,140 B1 *	3/2006	Hartman	E02D 5/02 405/276
D527,248 S *	8/2006	Heindl	D8/382
D527,249 S	8/2006	Heindl	
D527,619 S	9/2006	Heindl	
D541,638 S	5/2007	Heindl	
D543,841 S *	6/2007	Heindl	D8/382
D618,990 S *	7/2010	Heindl	D8/382
D618,991 S *	7/2010	Heindl	D8/382
D619,886 S	7/2010	Heindl	
D621,247 S	8/2010	Heindl	
D621,248 S *	8/2010	Heindl	D8/382
D621,249 S	8/2010	Heindl	
D621,251 S *	8/2010	Heindl	D8/382
D621,252 S *	8/2010	Heindl	D8/382
D626,828 S	11/2010	Austro	
D637,476 S	5/2011	Hanna	
7,935,406 B2	5/2011	Heindl	
D640,532 S	6/2011	Austro	
D640,533 S *	6/2011	Austro	D8/382
D640,535 S	6/2011	Austro	
D643,132 S *	8/2011	MacKenzie	D25/126
8,088,469 B2	1/2012	Heindl	
D665,658 S *	8/2012	Heindl	D8/382
D665,659 S	8/2012	Heindl	
D665,660 S *	8/2012	Heindl	D8/382
D666,484 S	9/2012	Heindl	
8,323,765 B2	12/2012	Heindl	
D681,428 S *	5/2013	Heindl	D8/382
D681,429 S	5/2013	Heindl	
D681,430 S	5/2013	Heindl	
D706,125 S	6/2014	Heindl	
D801,794 S	11/2017	Heindl	
D805,376 S	12/2017	Heindl	
D807,159 S	1/2018	Heindl	
D823,099 S *	7/2018	Wuensch	D8/382
D823,483 S	7/2018	Wuensch	
D832,088 S	10/2018	Heindl	
D832,089 S *	10/2018	Heindl	D8/382
D832,091 S	10/2018	Heindl	
D832,687 S	11/2018	Heindl	
D832,688 S	11/2018	Heindl	
D847,382 S	4/2019	Seiler	
D861,469 S *	10/2019	Heindl	D8/382
D861,470 S *	10/2019	Heindl	D8/382
D868,570 S *	12/2019	Heindl	D8/382
D868,571 S *	12/2019	Heindl	D8/382
D868,572 S *	12/2019	Heindl	D8/382
D876,937 S *	3/2020	Heindl	D8/382
D887,824 S *	6/2020	Heindl	D8/382
2005/0163575 A1 *	7/2005	Dagher	E02D 5/32 405/274
2006/0179771 A1 *	8/2006	Heindl	E02D 5/04 52/588.1
2006/0283139 A1 *	12/2006	Wall	E02D 5/04 52/782.1
2007/0147962 A1	6/2007	Wendt et al.	
2008/0145153 A1	6/2008	Wendt et al.	
2008/0152435 A1 *	6/2008	Heindl	E02D 5/08 405/274
2008/0274329 A1 *	11/2008	Heindl	E02D 5/06 428/99
2009/0191008 A1	7/2009	Heindl	
2012/0269583 A1 *	10/2012	Heindl	E02D 5/08 405/251
2014/0219715 A1	8/2014	Wolf	
2019/0127941 A1 *	5/2019	Sydlik	E02D 5/04

\* cited by examiner

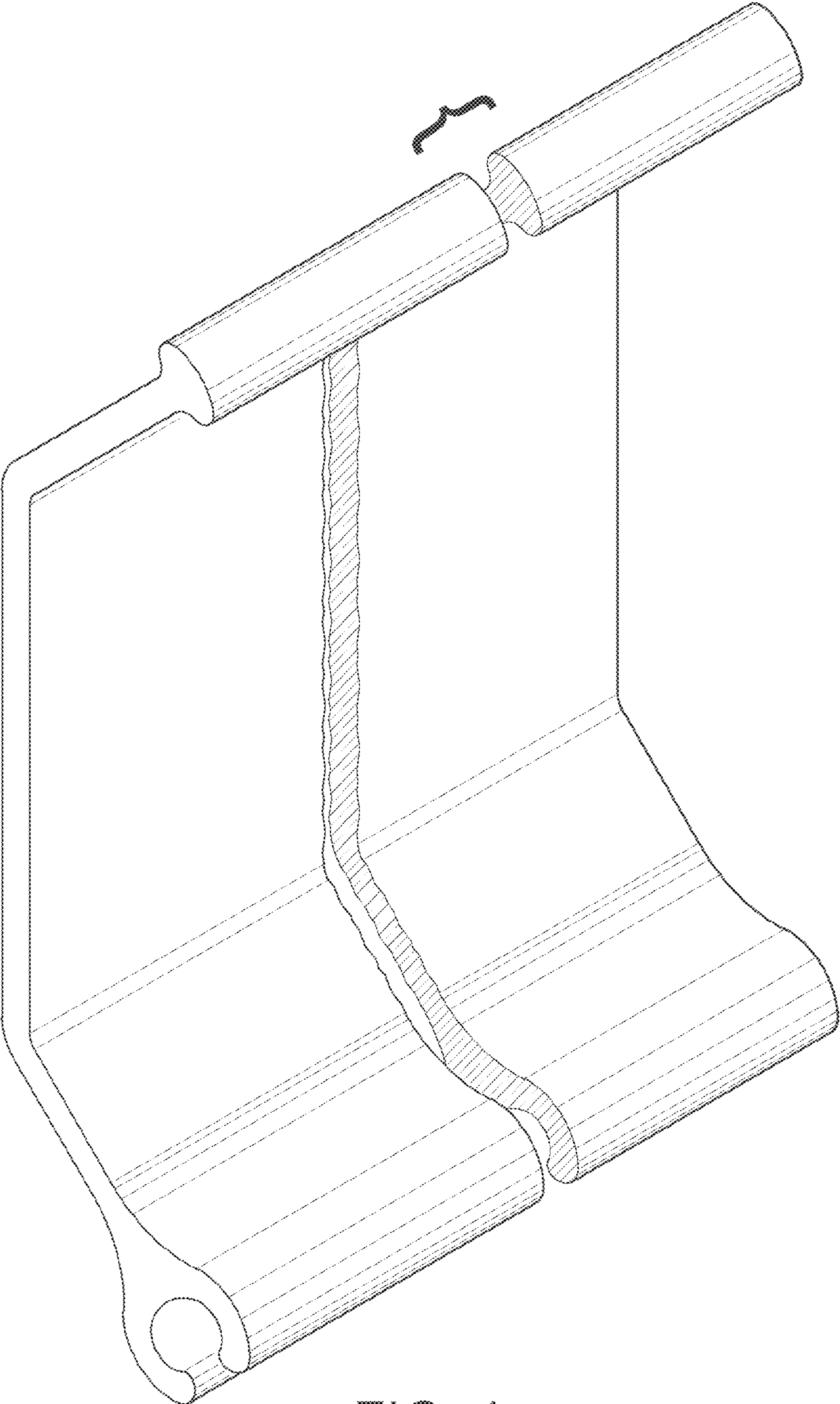


FIG. 1

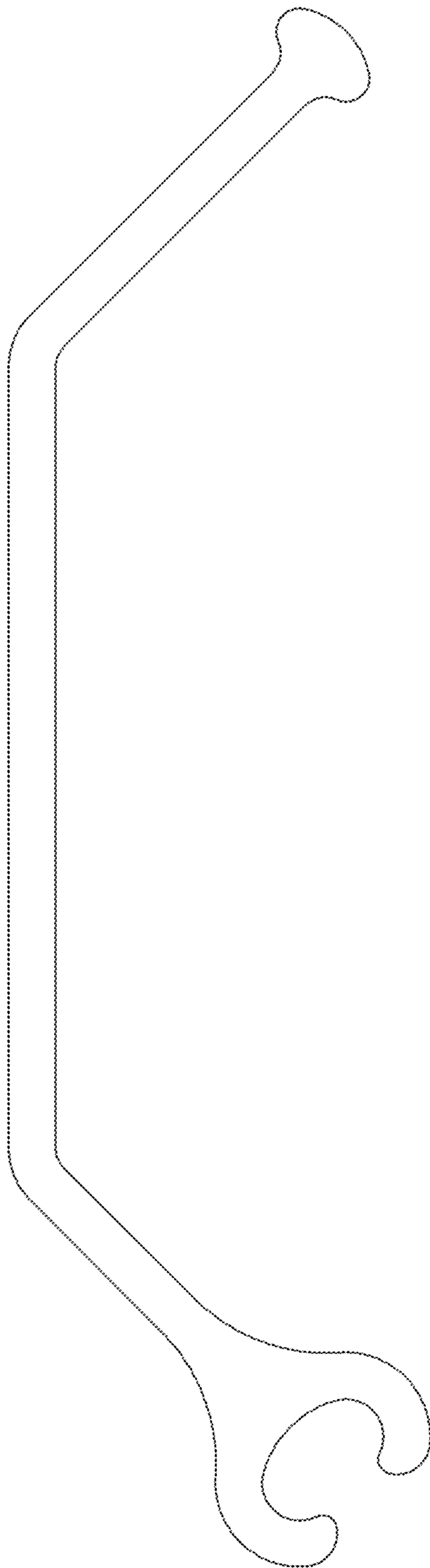


FIG. 2