



US00D938265S

(12) **United States Design Patent** (10) **Patent No.:** **US D938,265 S**
Lima et al. (45) **Date of Patent:** **** Dec. 14, 2021**

(54) **CONNECTOR**
(71) Applicant: **REV ROBOTICS LLC**, Carrollton, TX (US)
(72) Inventors: **Francisco Musiol Lima**, Carrollton, TX (US); **Gregory Elliott Needel**, Carrollton, TX (US); **David Aaron Yanoshak**, Carrollton, TX (US); **Jonathan James Bryant**, Carrollton, TX (US); **Michael Andrew Kaurich**, Carrollton, TX (US)

D600,364 S * 9/2009 Boardman D25/133
D600,831 S * 9/2009 Munakata D25/126
D662,403 S * 6/2012 Page D8/377
D669,769 S * 10/2012 Lapping D8/377
D745,299 S * 12/2015 Chang D6/709
D747,127 S * 1/2016 Chang D6/709
D754,366 S * 4/2016 Morton D25/124
D757,297 S * 5/2016 Che D25/38.1
D767,165 S * 9/2016 Che D25/38.1
D800,921 S * 10/2017 Apanovich D25/119
D892,599 S * 8/2020 Witherbee D8/354
D909,618 S * 2/2021 Zhao D25/121
D915,283 S * 4/2021 Steininger D13/128

(Continued)

(73) Assignee: **REV ROBOTICS LLC**, Carrollton, TX (US)

(**) Term: **15 Years**

(21) Appl. No.: **29/702,175**

(22) Filed: **Aug. 16, 2019**

(51) **LOC (13) Cl.** **08-05**

(52) **U.S. Cl.**
USPC **D8/377**

(58) **Field of Classification Search**
USPC D8/376-377, 373, 363-365, 354, 356;
D25/119-121, 124-127, 133-134, 136,
D25/38.1, 41.1, 43; D6/580-581, 711,
D6/524, 546-547, 550
CPC ... E04F 10/06; E04F 10/0603; E04F 10/0681;
E04F 10/0685; E04F 19/00; E04F 19/02;
E04F 19/04; A47F 1/12; A47F 5/005
See application file for complete search history.

(56) **References Cited**

U.S. PATENT DOCUMENTS

D335,624 S * 5/1993 Siener D25/123
D419,858 S * 2/2000 Bosgoed D25/121
D471,991 S * 3/2003 Maylon D25/119
D488,055 S * 4/2004 Ter Braak D8/377
D589,724 S * 4/2009 Howe D25/126

OTHER PUBLICATIONS

U-Channel (9 Hole, 7.50_ Length)—ServoCity, Date Visited: Jul. 28, 2021, Servo City, Date Available: Jun. 18, 2014, <https://www.amazon.co.uk/minifinker-U%E2%80%91Channel-Accessories-Estates-Gobilda/> (Year: 2014).*

(Continued)

Primary Examiner — Sandra Snapp
Assistant Examiner — Elizabeth S Ko
(74) *Attorney, Agent, or Firm* — David W. Carstens;
Brandon V. Zuniga; Carstens & Cahoon, LLP

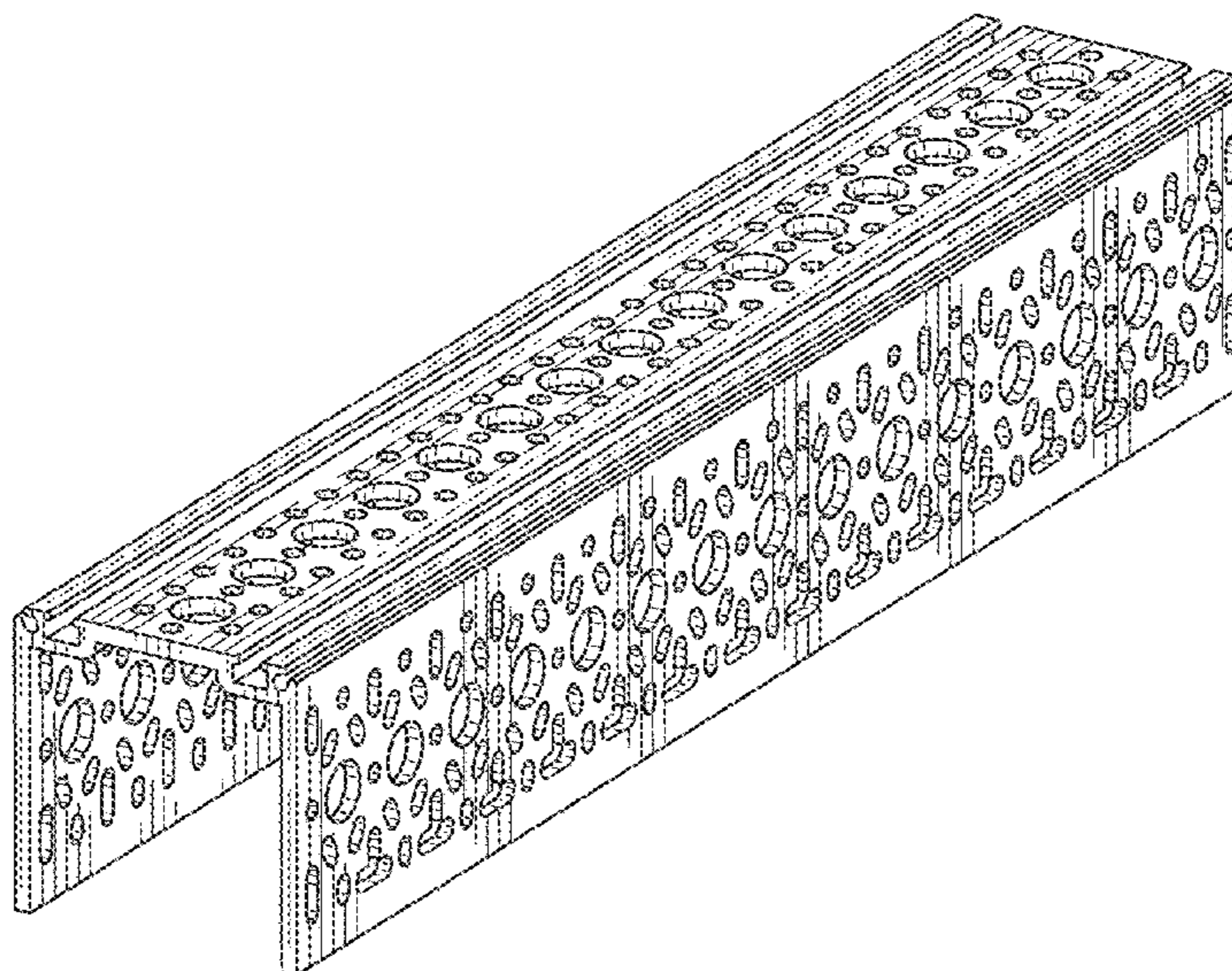
(57) **CLAIM**

The ornamental design for a connector, as shown and described.

DESCRIPTION

FIG. 1 is a perspective view taken from the front, the top and the right of a connector.
FIG. 2 is a front view of the connector, the rear view being a mirror image.
FIG. 3 is a right side view of the connector, the left side view being a mirror image.
FIG. 4 is a top view of the connector; and,
FIG. 5 is a bottom view of the connector.

1 Claim, 3 Drawing Sheets



(56)

References Cited

U.S. PATENT DOCUMENTS

D917,731 S * 4/2021 Nelson D25/124
D920,769 S * 6/2021 Kovacs D8/377
D922,615 S * 6/2021 Springborn D25/38.1
2016/0340908 A1* 11/2016 Apanovich E04F 21/02

OTHER PUBLICATIONS

U-Channel (19 Hole, 15.00_ Length)—ServoCity, Date Visited: Jul. 28, 2021, Servo City, Date Available: Jun. 18, 2014, <https://www.servocity.com/15-00-aluminum-channel/> (Year: 2014).*

1121 Series Low-Side U-Channel (9 Hole, 240mm Length)—goBILDA, Date Visited: Jul. 28, 2021, Go Bilda, Date Available: Jul. 28, 2021, <https://www.gobilda.com/1121-series-low-side-u-channel-9-hole-240mm-length/> (Year: 2021).*

C Channel Bundle—REV Robotics, Date Visited: Jul. 28, 2021, Rev Robotics, Date Available: Jul. 28, 2021, <https://www.revrobotics.com/rev-45-1896/> (Year: 2021).*

45mm U Channel—152mm—REV Robotics, Date Visited: Jul. 28, 2021, Rev Robotics, Date Available: Jul. 28, 2021, <https://www.revrobotics.com/rev-41-1750/> (Year: 2021).*

45mm×15mm C Channel—152mm—REV Robotics, Date Visited: Jul. 28, 2021, Rev Robotics, Date Available: Jul. 28, 2021, <https://www.revrobotics.com/rev-41-1770/> (Year: 2021).*

Zhat Building Toys, 9 Hole U Channel, Date Visited: Jul. 28, 2021, Amazon, Date Available: 44362, <https://www.amazon.co.uk/Zhat-Building-Different-Professional-Tetrixrobotics/dp/B09988WM4B> (Year: 2021).*

Minifinker 3120 Series U-Channel, Date Visited: Jul. 28, 2021, Amazon, Date Available: Jul. 8, 2021, <https://www.amazon.co.uk/minifinker-U%E2%80%91Channel-Accessories-Estates-Gobilda/> (Year: 2021).*

* cited by examiner

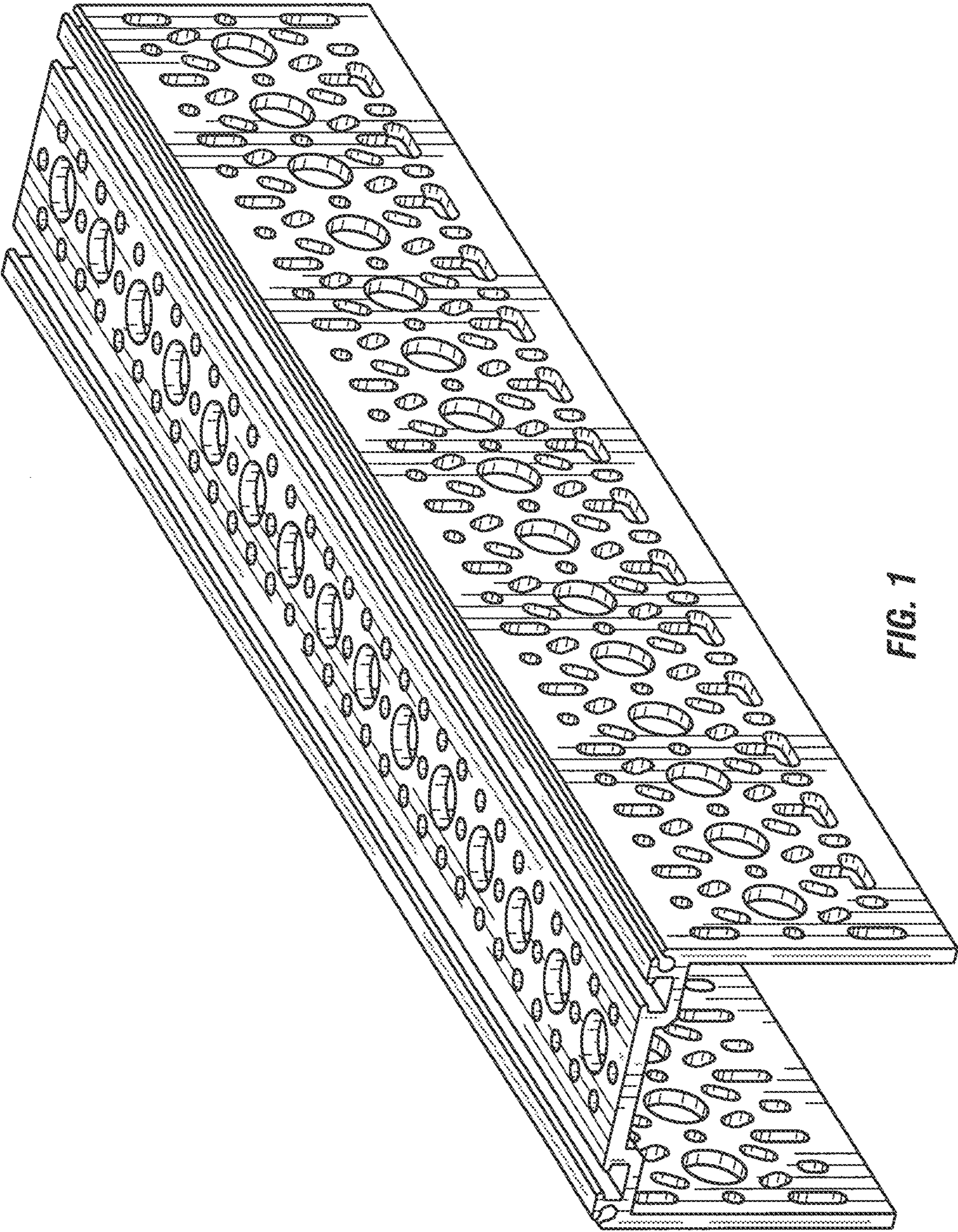


FIG. 1

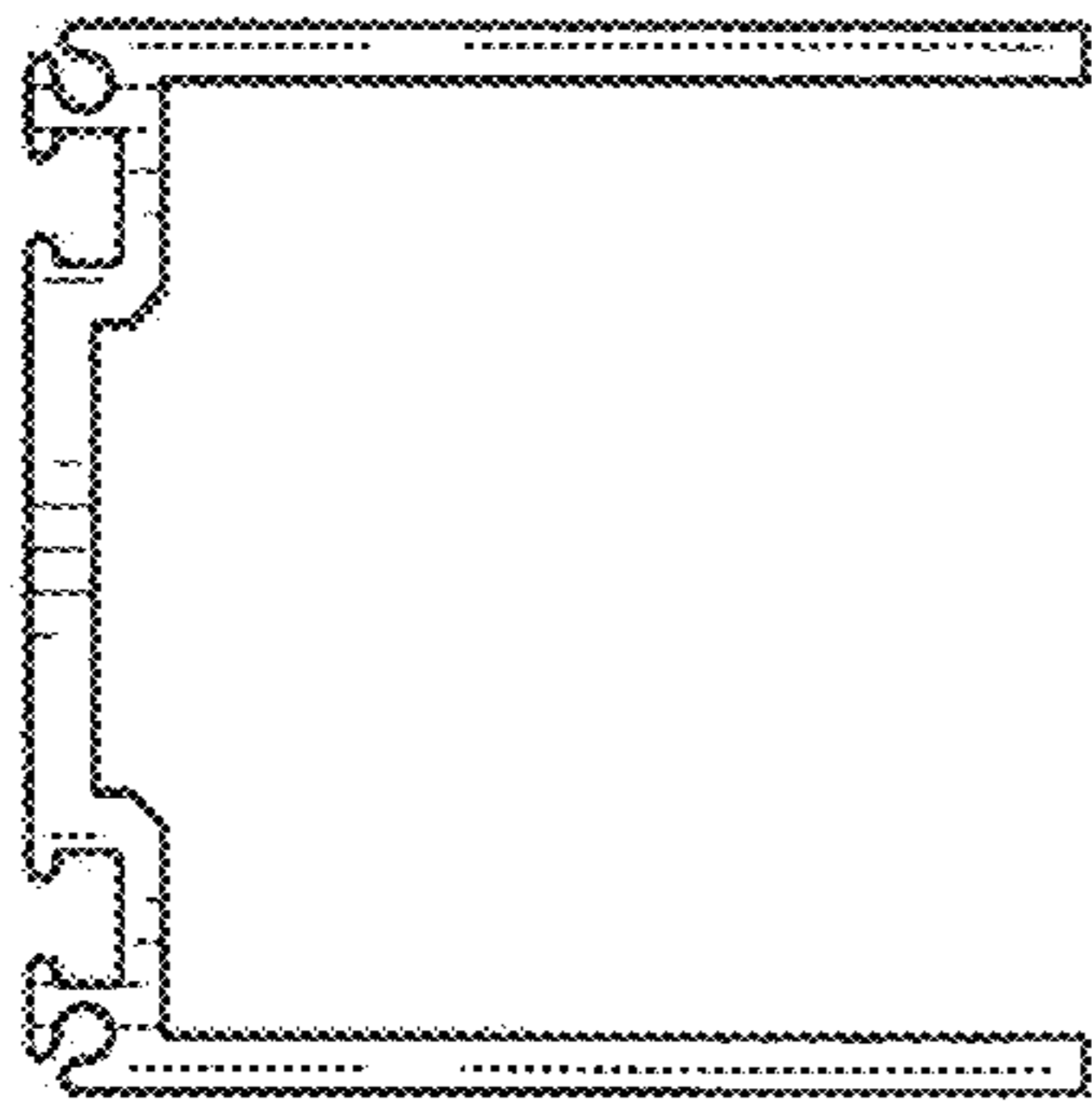


FIG. 2

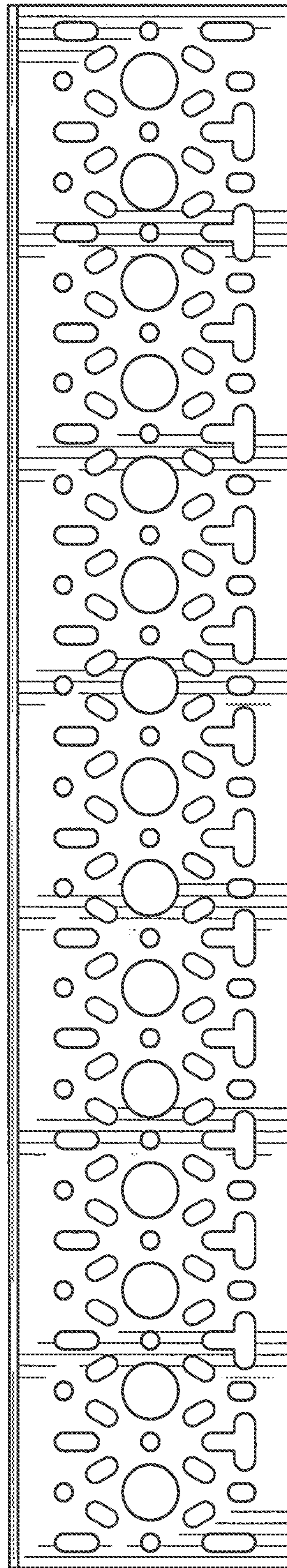


FIG. 3

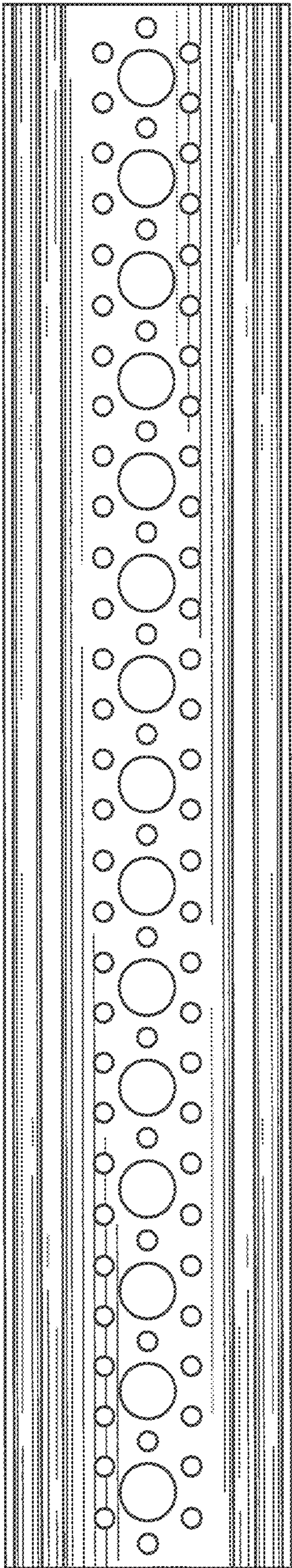


FIG. 4

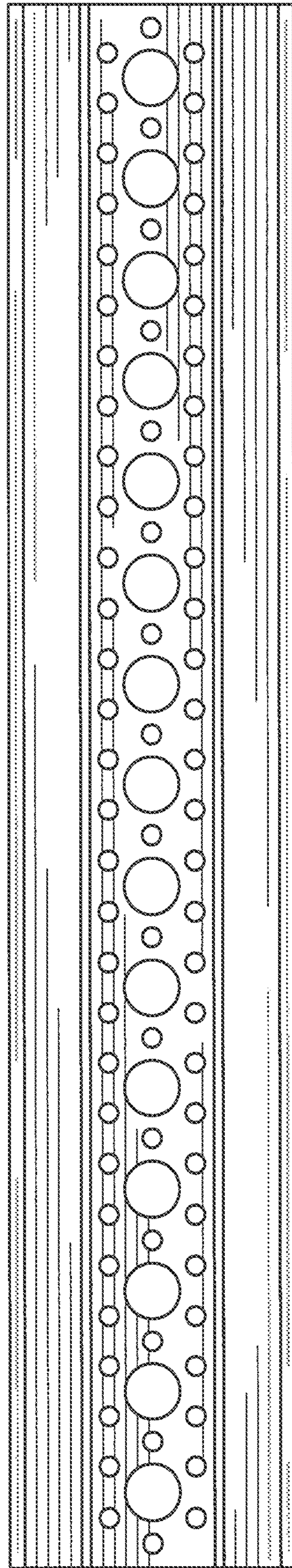


FIG. 5