



US00D938262S

(12) **United States Design Patent**  
**Fehr**

(10) **Patent No.:** **US D938,262 S**

(45) **Date of Patent:** **\*\* Dec. 14, 2021**

(54) **DISPLAY MOUNT**

(71) Applicant: **CKnapp Sales, Inc.**, Goodfield, IL (US)  
(72) Inventor: **Micah Fehr**, Danvers, IL (US)  
(73) Assignee: **CKNAPP SALES, INC.**, Goodfield, IL (US)

(\*\*) Term: **15 Years**

(21) Appl. No.: **29/713,860**

(22) Filed: **Nov. 19, 2019**

(51) **LOC (13) Cl.** ..... **08-05**

(52) **U.S. Cl.**  
USPC ..... **D8/354**

(58) **Field of Classification Search**  
USPC ..... D8/354, 355, 363, 373; D6/672, 682;  
D14/449-452, 335-337, 239, 371, 372,  
D14/373, 374, 447, 448, 125, 127, 128,  
D14/129, 375, 376, 377, 341, 126  
CPC ..... F16M 11/2085; F16M 11/2092; F16M  
11/2007; F16M 11/2014; F16M 11/2021;  
F16M 11/105; F16M 11/048; F16M  
11/12; F16M 13/022; F16M 11/10  
See application file for complete search history.

(56) **References Cited**

**U.S. PATENT DOCUMENTS**

D584,075 S \* 1/2009 Hung ..... D14/239  
D753,638 S \* 4/2016 Tatem ..... D14/239  
D791,769 S \* 7/2017 Koury ..... D14/371  
D822,453 S \* 7/2018 Kanter ..... D8/354  
D823,094 S \* 7/2018 Kanter ..... D8/354

(Continued)

**FOREIGN PATENT DOCUMENTS**

CN 305552919 \* 1/2020  
CN 305581453 \* 1/2020

(Continued)

**OTHER PUBLICATIONS**

Walmart. Link: <https://www.walmart.com/ip/VIVO-VESA-Mount-Adapter-Designed-for-Dell-Monitors-SE2416HX-SE2717HX-SE2717H-S2216M-SE2716H-SE2216H-MOUNT-DLSSE2/761988965>. Visited Jun. 9, 2021. Vivo Vesa Mount Adapter MOUNT-DLSSE2. (Year: 2021).\*

(Continued)

*Primary Examiner* — Lauren D McVey

(74) *Attorney, Agent, or Firm* — Hanley, Flight & Zimmerman, LLC

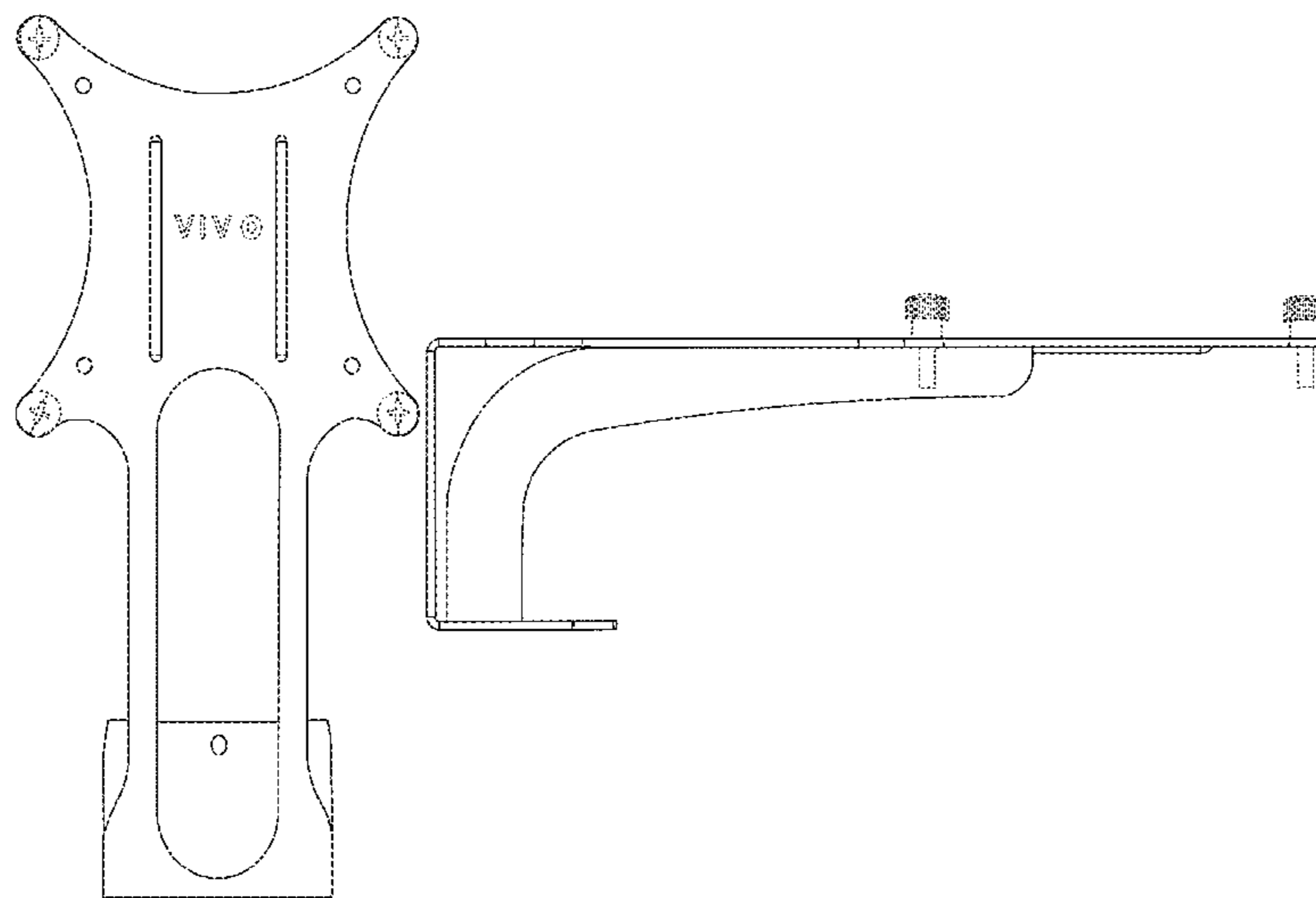
(57) **CLAIM**

The ornamental design for a “display mount,” substantially as shown and described.

**DESCRIPTION**

FIG. 1 is a front elevation view of a display mount, showing my new design;  
FIG. 2 is a rear elevation view of the display mount of FIG. 1;  
FIG. 3 is a first side elevation view of the display mount of FIG. 1;  
FIG. 4 is a second side elevation view of the display mount of FIG. 1;  
FIG. 5 is a bottom plan view of the display mount of FIG. 1;  
FIG. 6 is a top plan view of the display mount of FIG. 1; and,  
FIG. 7 is a perspective view of the display mount of FIG. 1. The broken lines immediately adjacent to the claim and define broken line regions depict the bounds of the claimed design, while all other broken lines are directed to environment. The broken lines form no part of the claimed design. The “VIVO” lettering and icon forming part of the disclosure is a registered trademark of CKnapp Sales Inc.

**1 Claim, 7 Drawing Sheets**



(56)

References Cited

U.S. PATENT DOCUMENTS

D829,531 S \* 10/2018 Kanter ..... D8/354  
 D829,533 S \* 10/2018 Kanter ..... D8/354  
 D833,851 S \* 11/2018 Kanter ..... D8/354  
 D846,369 S \* 4/2019 Ni ..... D8/354  
 D846,370 S \* 4/2019 Ni ..... D8/354  
 D852,788 S \* 7/2019 Kanter ..... D14/238  
 D859,958 S \* 9/2019 Ni ..... D8/354  
 D871,380 S \* 12/2019 Fehr ..... D14/239  
 D894,717 S \* 9/2020 Fehr ..... D8/354  
 D894,879 S \* 9/2020 Fehr ..... D14/238  
 D901,469 S \* 11/2020 Fehr ..... D14/238  
 D913,288 S \* 3/2021 Fehr ..... D14/432  
 D928,590 S \* 8/2021 Zhang ..... D8/354  
 2012/0025046 A1 \* 2/2012 Yen ..... F16M 11/045  
 248/298.1  
 2017/0339800 A1 \* 11/2017 Burns ..... G06F 1/1622

FOREIGN PATENT DOCUMENTS

CN 305596223 \* 2/2020  
 GB 6090468 \* 5/2020

OTHER PUBLICATIONS

Walmart. Link: <https://www.walmart.com/ip/VIVO-VESA-Mount-Adapter-Designed-for-Samsung-CF591-Monitor-Series-Curved-27-Screens-LC27F591FDNXZA-MOUNT-SG02CF/387518074>. Visited Jun. 9, 2021. VIVO VESA Mount Adapter Designed for Samsung CF591 Monitor Series Curved 27 Screens LC27F591FDNXZA. (Year: 2021).\*

Walmart. Link: <https://www.walmart.com/ip/VIVO-Quick-Attach-VESA-Adapter-Plate-Bracket-Attachment-Kit-Designed-for-Acer-and-Viewsonic-Monitors-MOUNT-AR240H/169130065>. Visited Jun. 9, 2021. VIVO Quick Attach VESA Adapter Plate Bracket MOUNT-AR240H. (Year: 2021).\*

VESA Mount Adapter for Asus VX-Series Monitors Fits VX279Q, VX248H, VX24AH, VX228H, VX229H, VX239H, VX238H, and VZ249H [Patented] by HumanCentric, retrieved from <https://www.amazon.com/VESA-Mount-Adapter-Asus-Monitors/dp/B01DAYSNU6/>, on Apr. 10, 2019, 1 page.

VESA Mount Adapter for Asus Monitors MX239H, MX259H, MX279H, MX299Q, MX25AQ, and MX27AQ—by HumanCentric, retrieved from <https://www.amazon.com/Adapter-Monitors-MX239H-MX259H-MX279H/dp/B01BFWROZU/>, on Apr. 11, 2019, 1 page.

\* cited by examiner

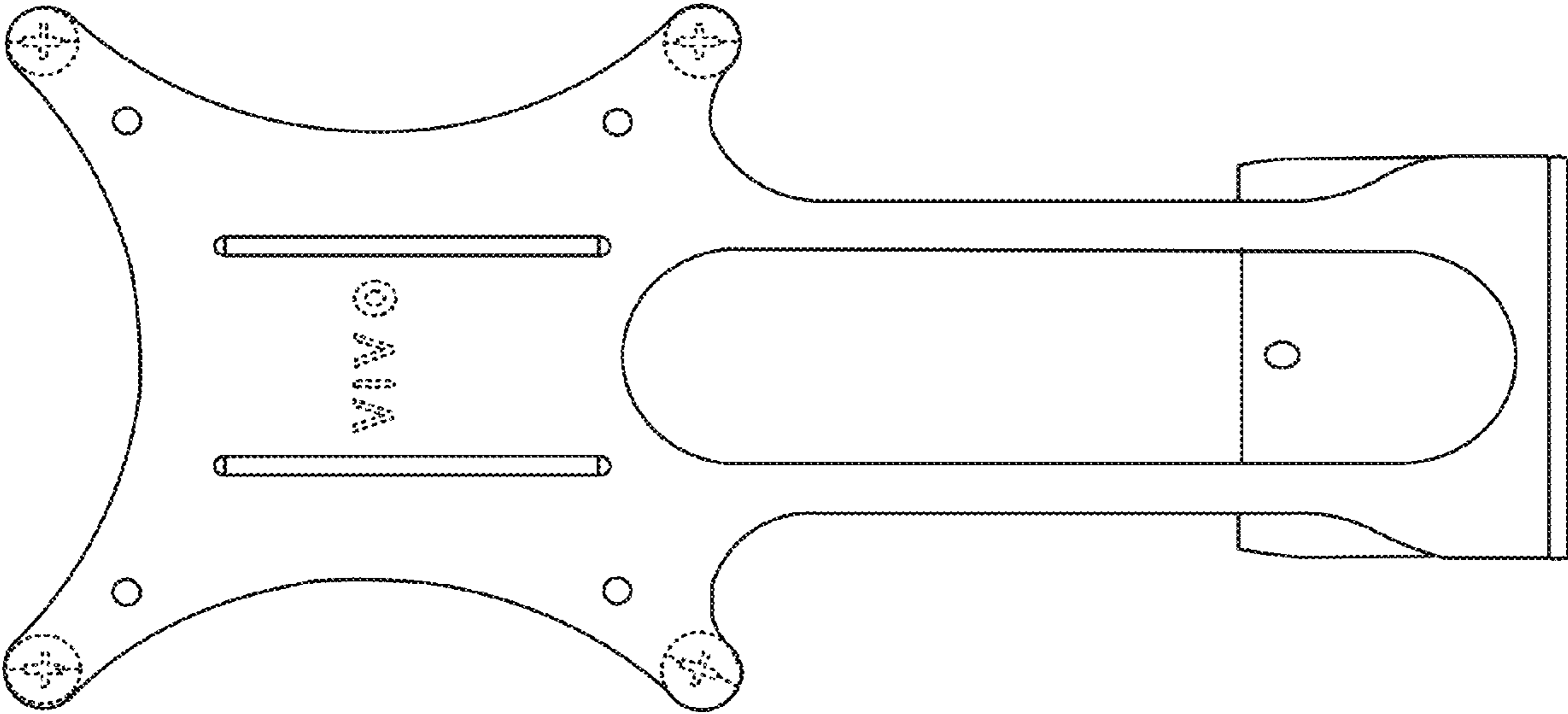


FIG. 1

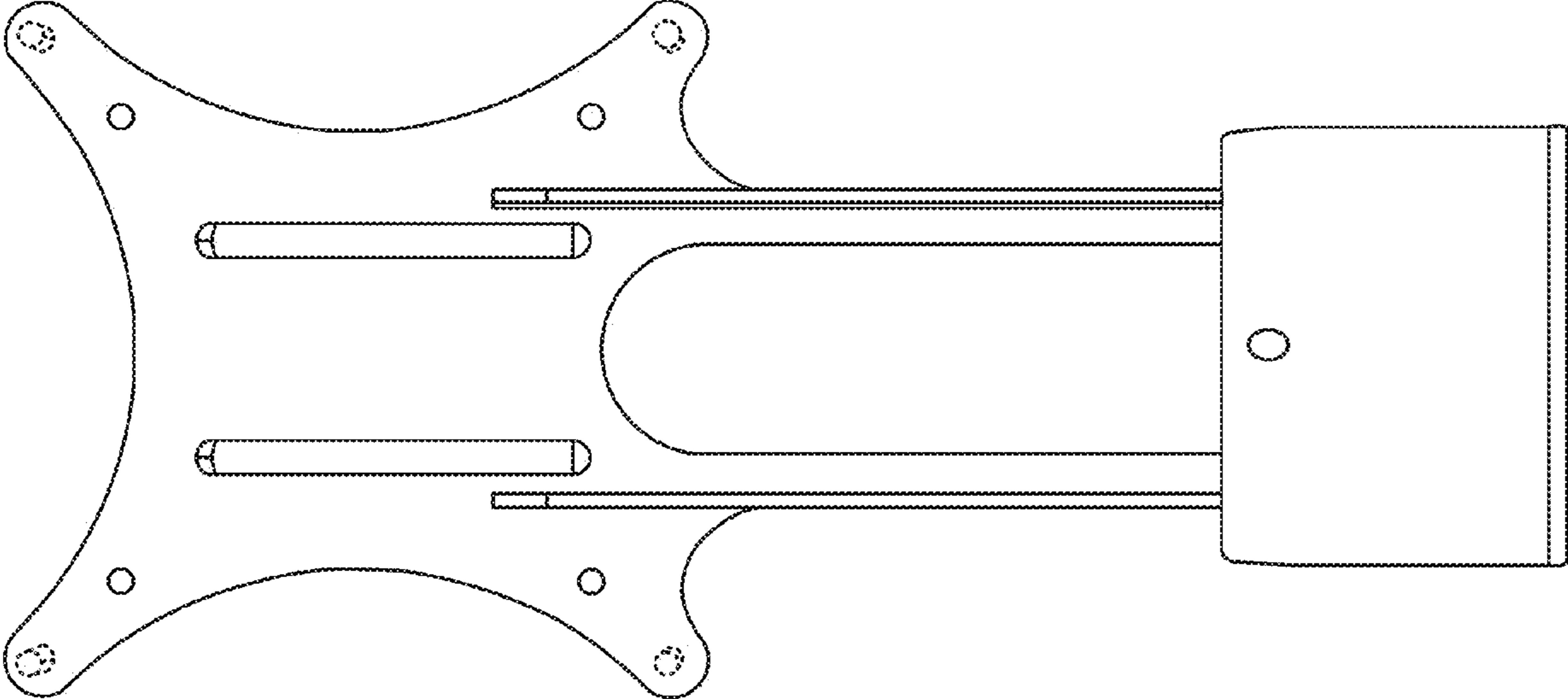


FIG. 2

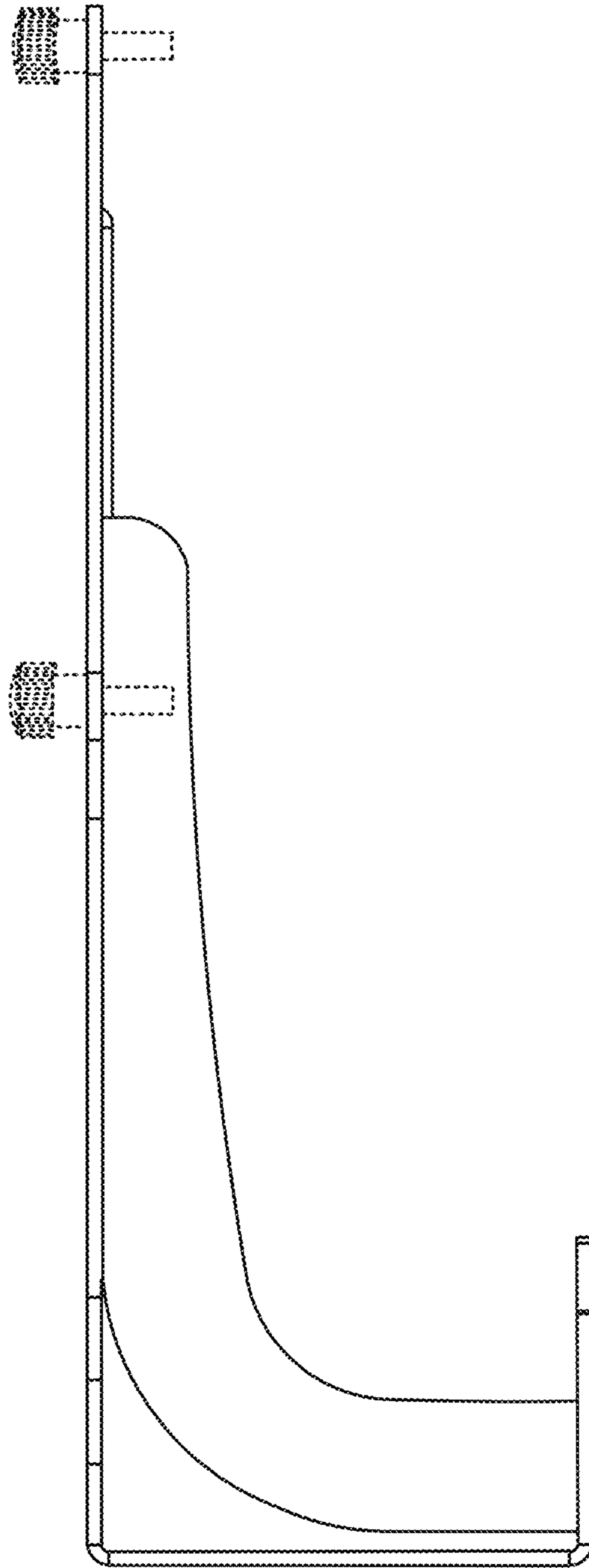


FIG. 3

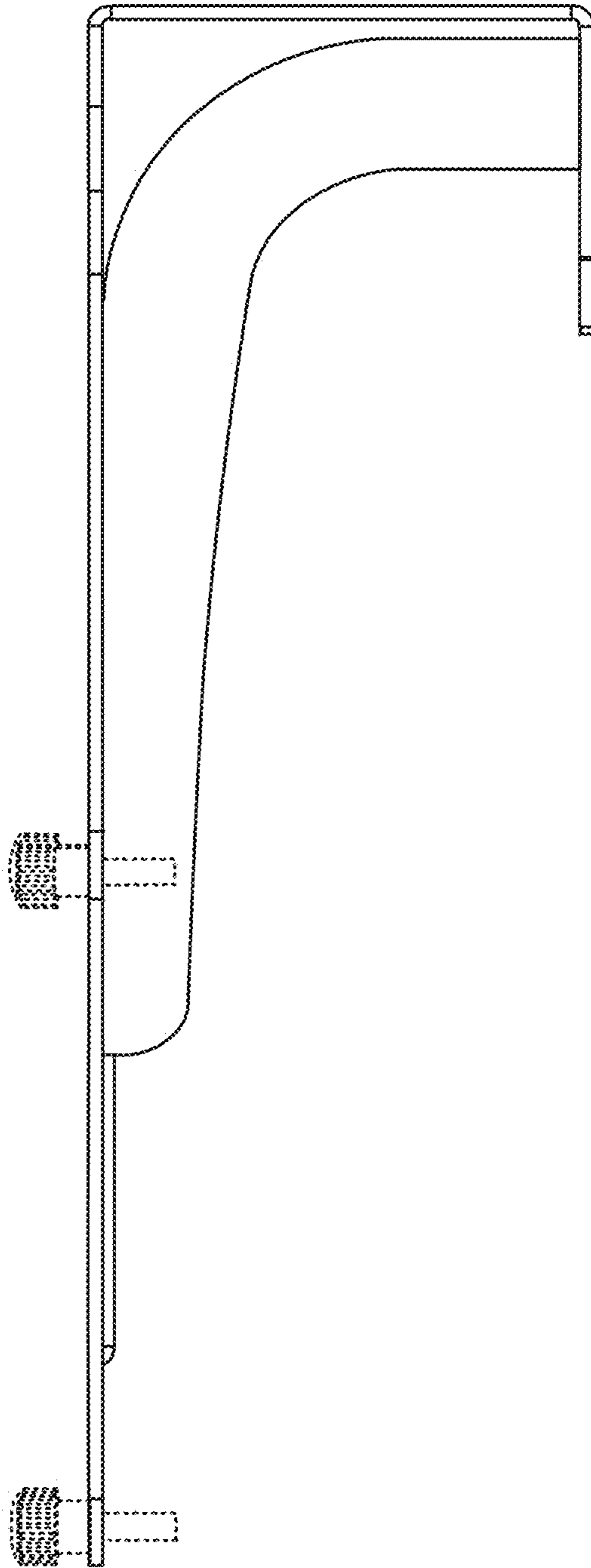


FIG. 4

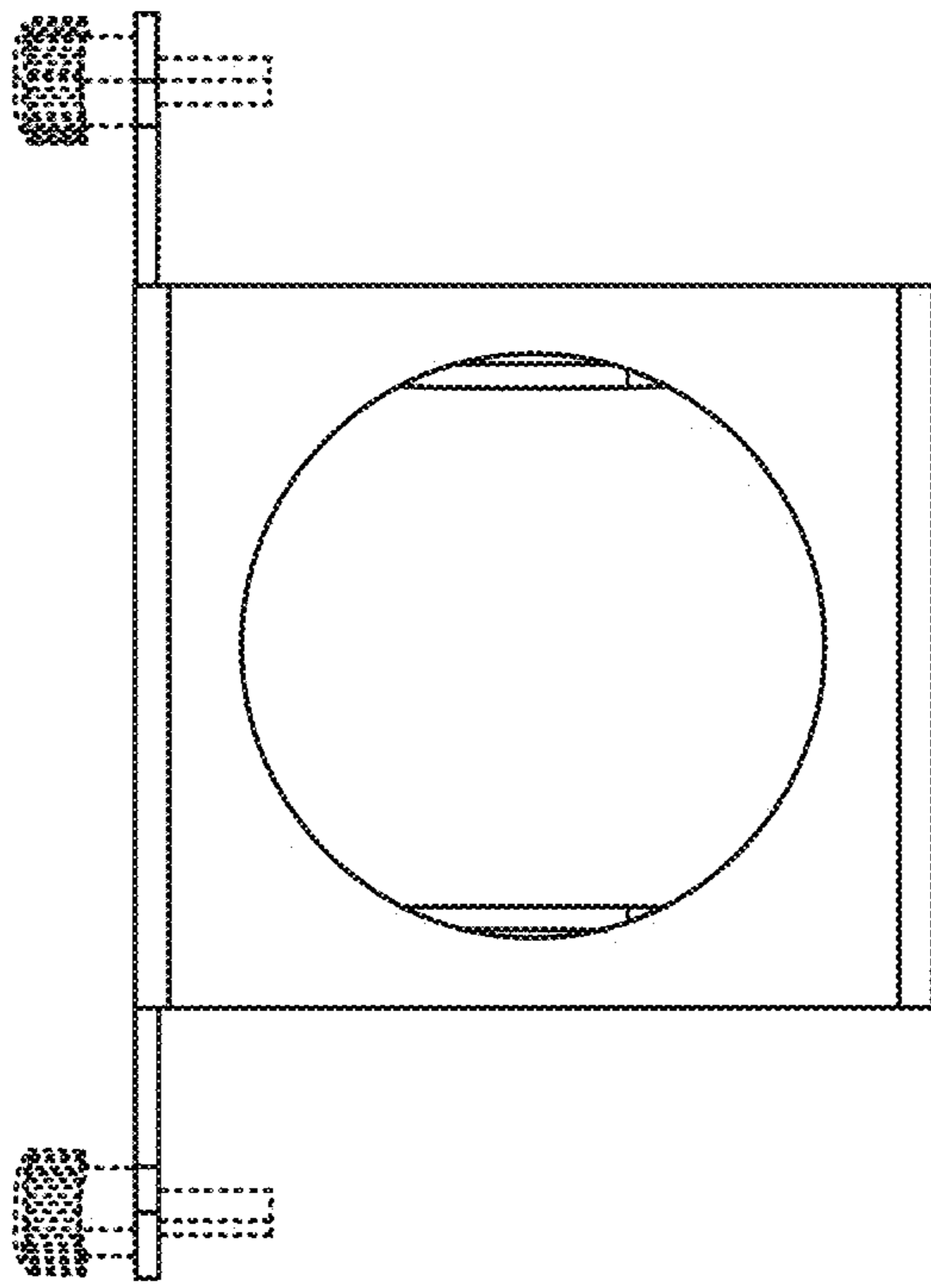


FIG. 5

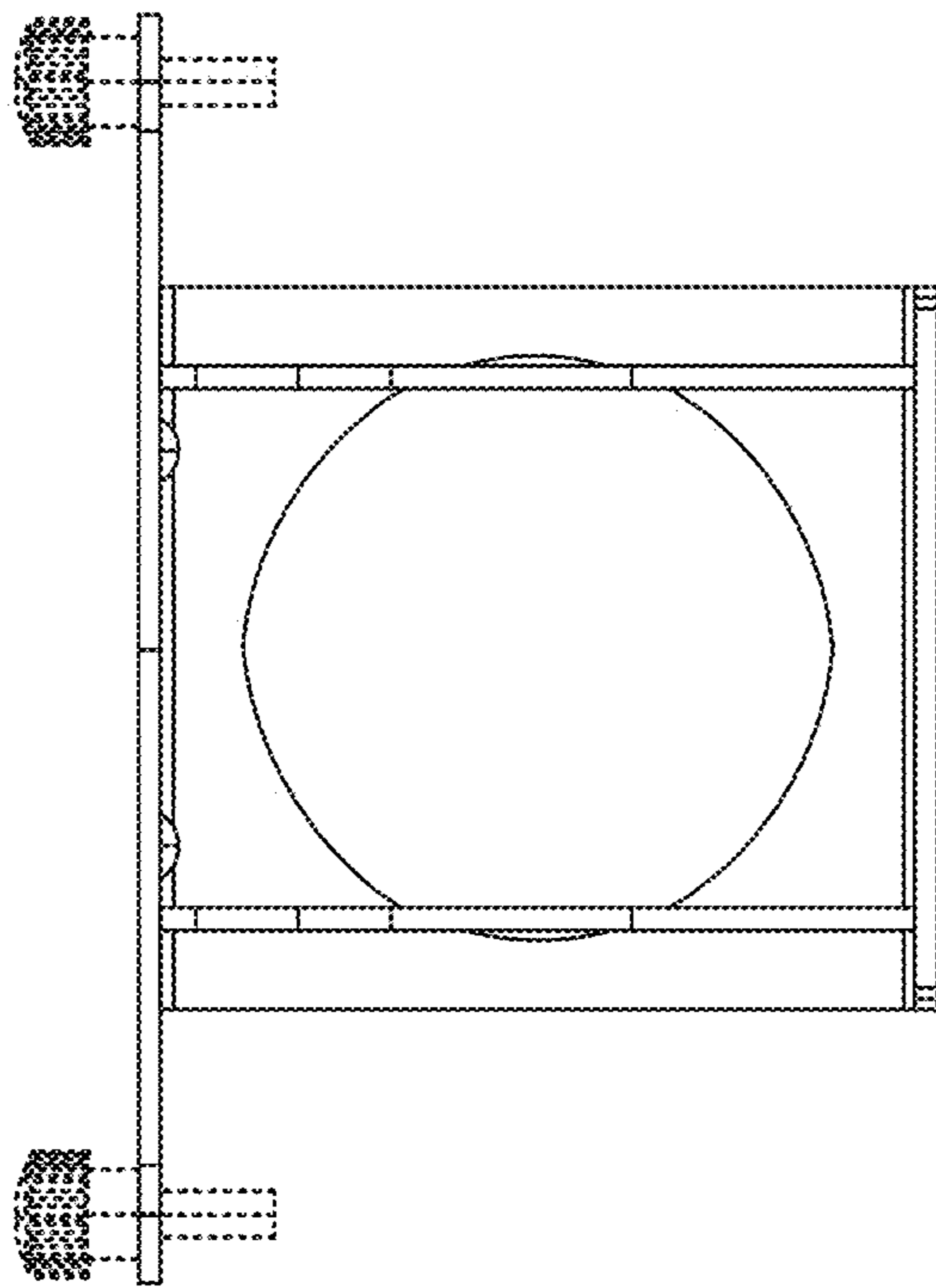


FIG. 6



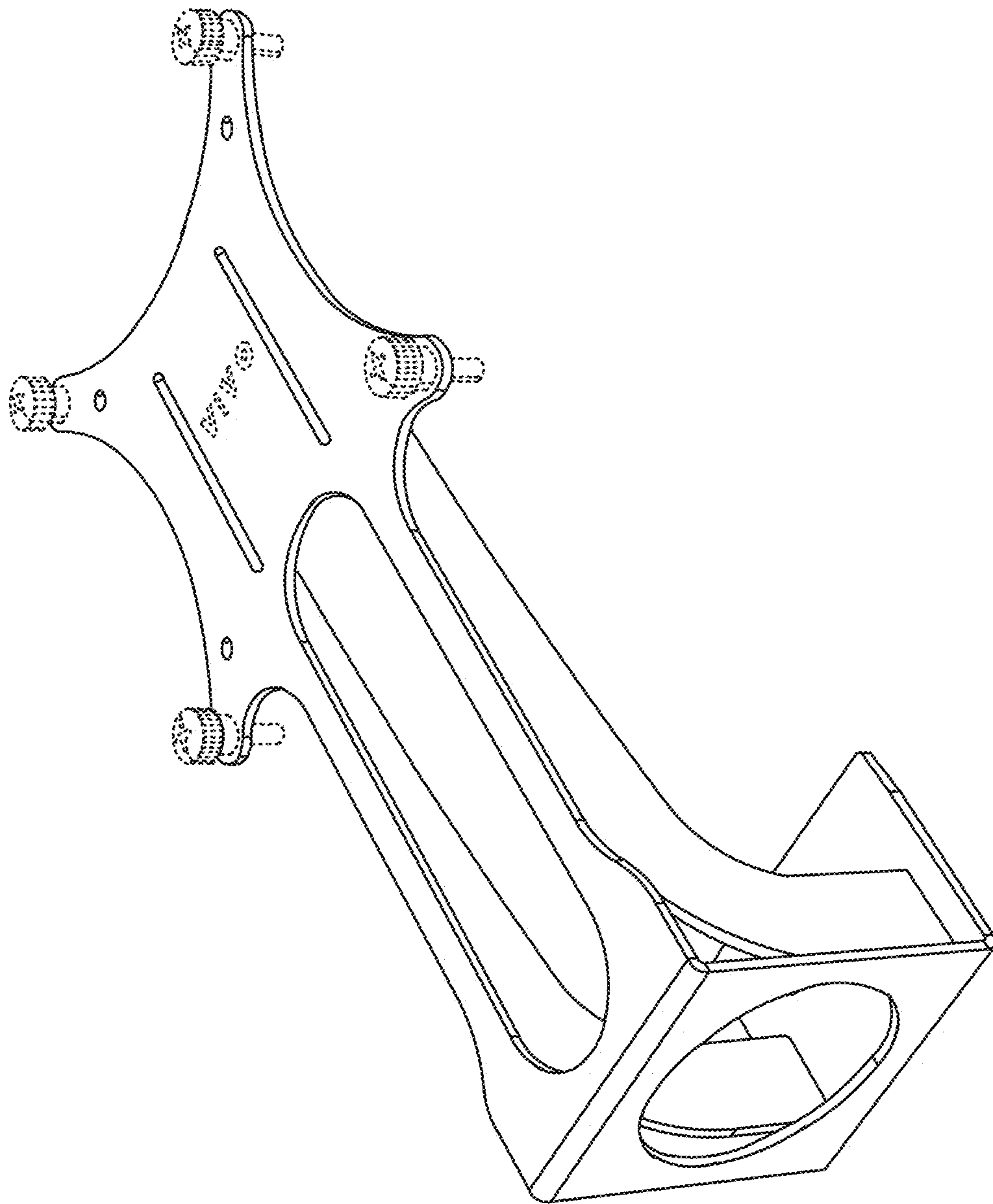


FIG. 7