



US00D938261S

(12) **United States Design Patent** (10) **Patent No.:** **US D938,261 S**
Thaler (45) **Date of Patent:** **** Dec. 14, 2021**

(54) **HOLDER FOR FASTENING, SUPPORTING AND/OR MOUNTING DEVICES**

D808,781 S * 1/2018 Dombkova D8/374
D813,019 S * 3/2018 Wendling D8/374
D828,144 S * 9/2018 Rodack D8/374
D871,696 S * 12/2019 Wendling D32/25
D896,621 S * 9/2020 Wendling D8/374

(71) Applicant: **Hermann Thaler**, Schruns (AT)

* cited by examiner

(72) Inventor: **Hermann Thaler**, Schruns (AT)

(**) Term: **15 Years**

Primary Examiner — Eliza Z Bennett-Hattan
(74) *Attorney, Agent, or Firm* — Wenderoth, Lind & Ponack, L.L.P.

(21) Appl. No.: **29/661,642**

(22) Filed: **Aug. 29, 2018**

(57) **CLAIM**

Related U.S. Application Data

The ornamental design for a holder for fastening, supporting and/or mounting devices, as shown and described.

(62) Division of application No. 35/503,757, filed on Aug. 17, 2017 (U.S. filing date under 35 U.S.C. 384), and having an international filing date of Aug. 17, 2017, now Pat. No. Des. 844,413.

DESCRIPTION

(30) **Foreign Application Priority Data**

Mar. 6, 2017 (EM) 3785526

FIG. 1 is a perspective view of the first embodiment of a holder for fastening, supporting and/or mounting devices; FIG. 2 is a top view thereof; FIG. 3 is a bottom view thereof; FIG. 4 is a right side view thereof; FIG. 5 is a left side view thereof; FIG. 6 is a front view thereof; FIG. 7 is a rear view thereof; FIG. 8 is a perspective view of the second embodiment of a holder for fastening, supporting and/or mounting devices; FIG. 9 is a top side view thereof; FIG. 10 is a bottom view thereof; FIG. 11 is a right side view thereof; FIG. 12 is a left side view thereof; FIG. 13 is a front view thereof; and, FIG. 14 is a rear view thereof.

(51) **LOC (13) Cl.** **08-05**

(52) **U.S. Cl.**
USPC **D8/354**

(58) **Field of Classification Search**
USPC D8/354, 366, 371, 372, 367, 374, 373, D8/376, 375, 16, 19, 45, 380, 381
CPC A47B 91/005
See application file for complete search history.

(56) **References Cited**

U.S. PATENT DOCUMENTS

D661,575 S * 6/2012 Ruiz D8/374
D798,132 S * 9/2017 Meyers D8/374

1 Claim, 14 Drawing Sheets

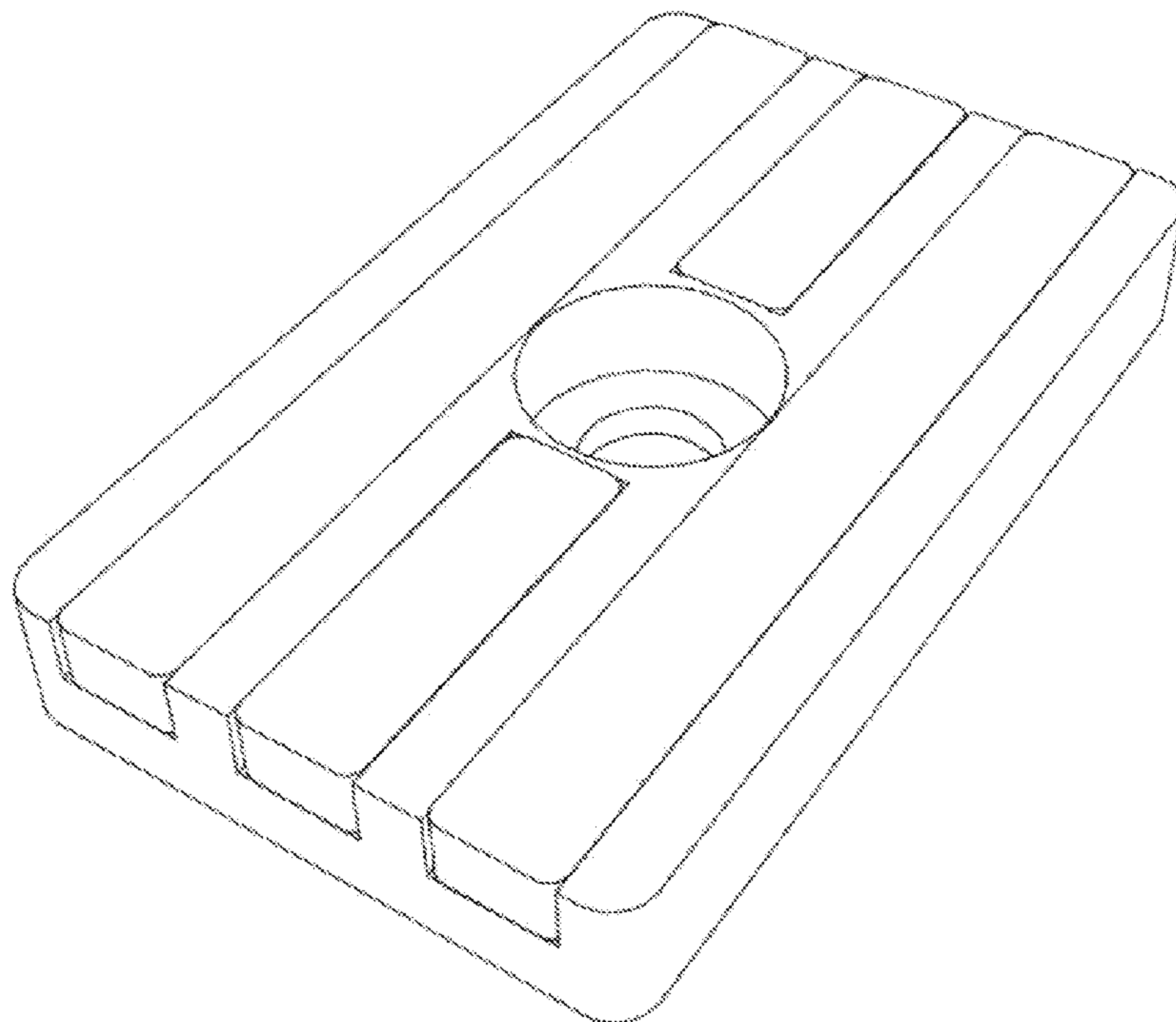


FIG. 1

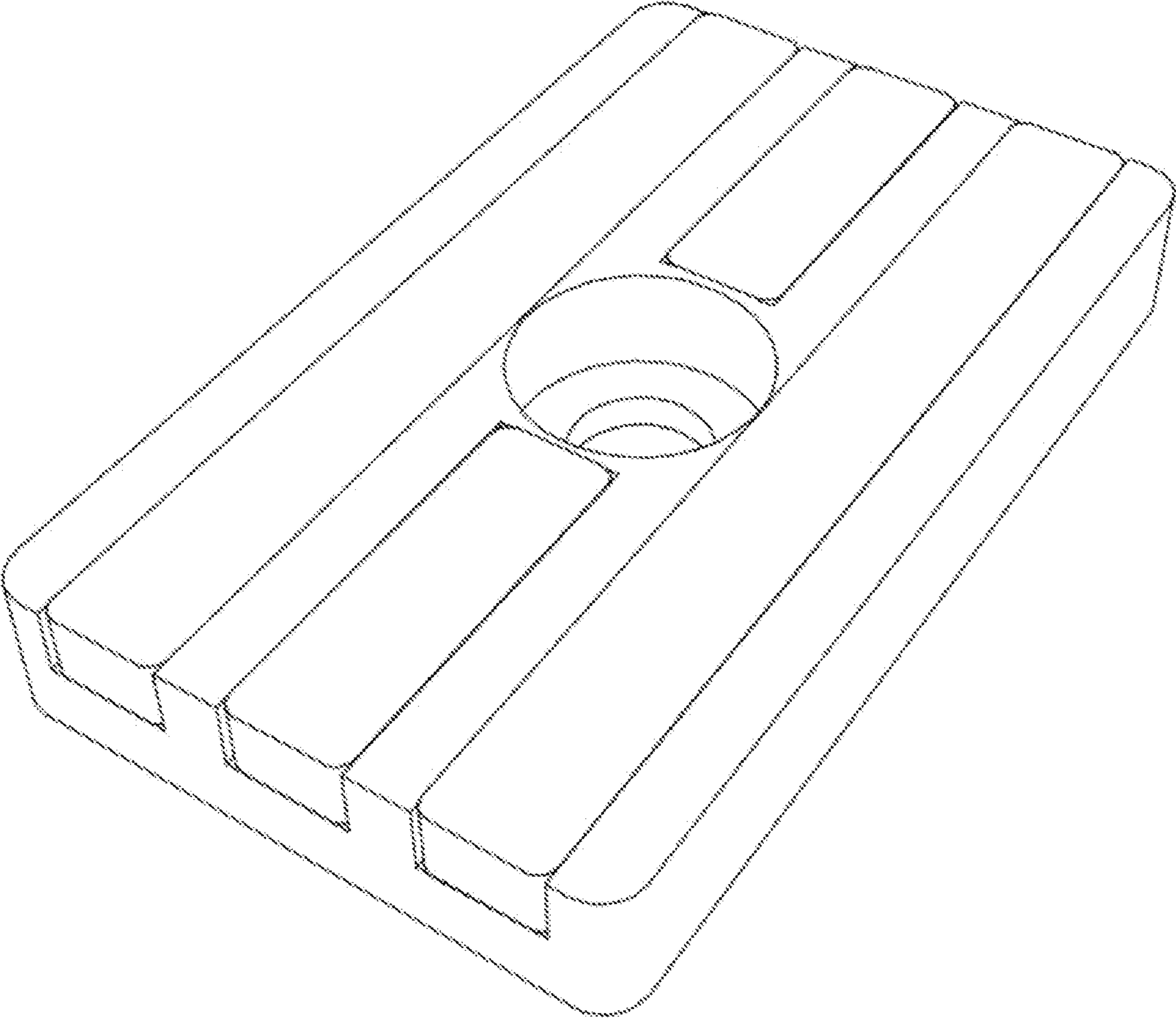


FIG. 2

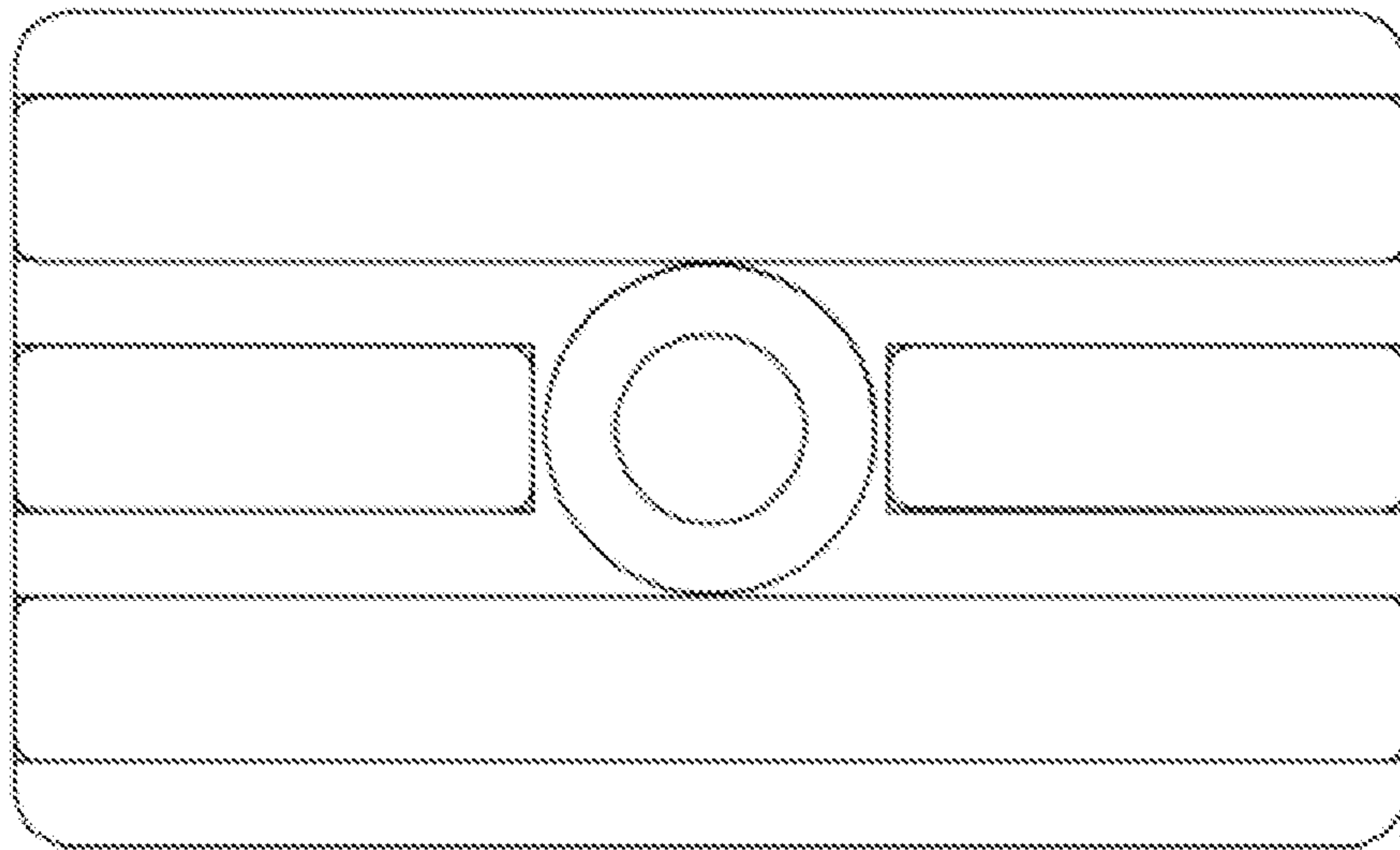


FIG. 3

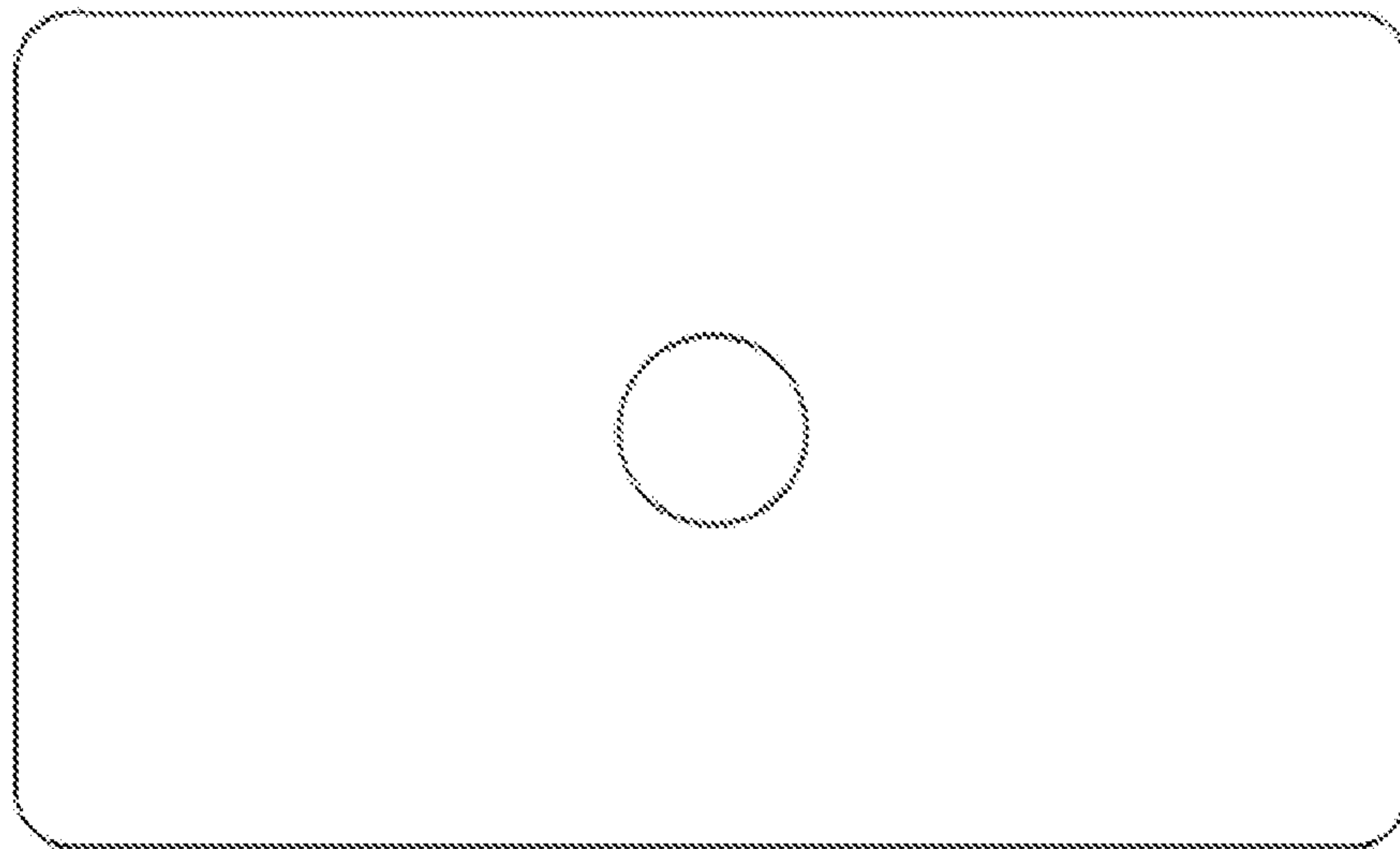


FIG. 4



FIG. 5



FIG. 6

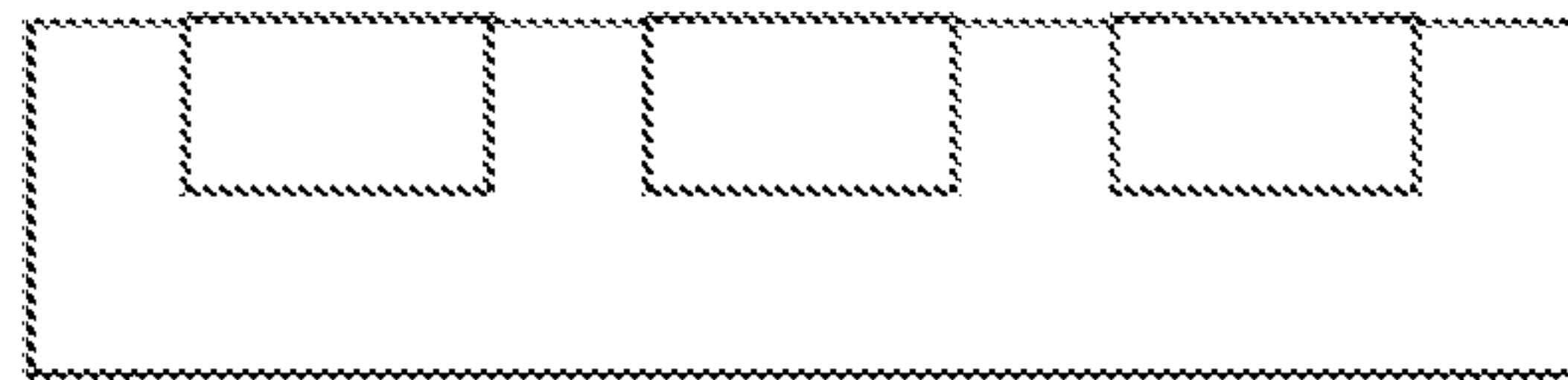


FIG. 7

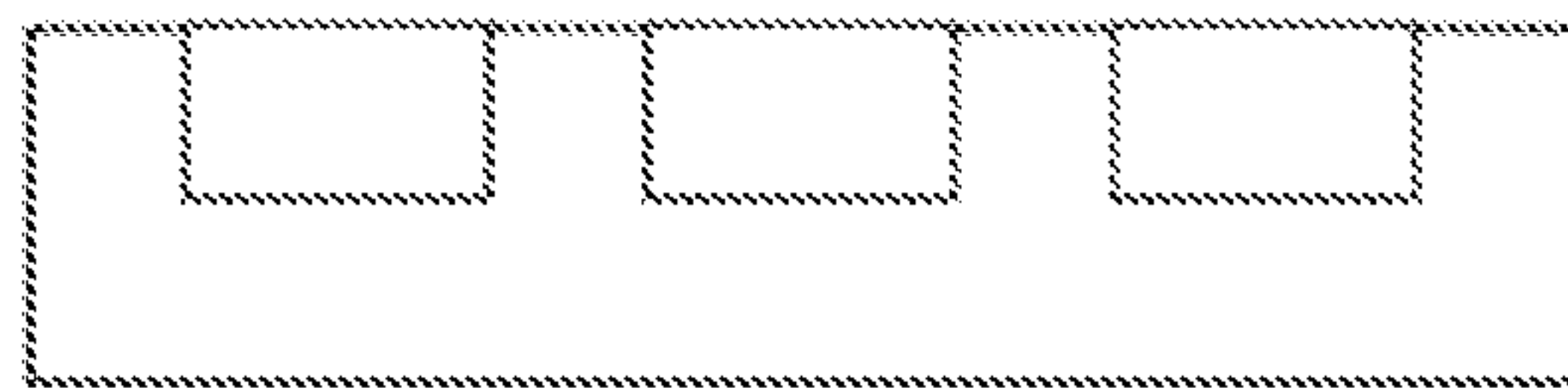


FIG. 8

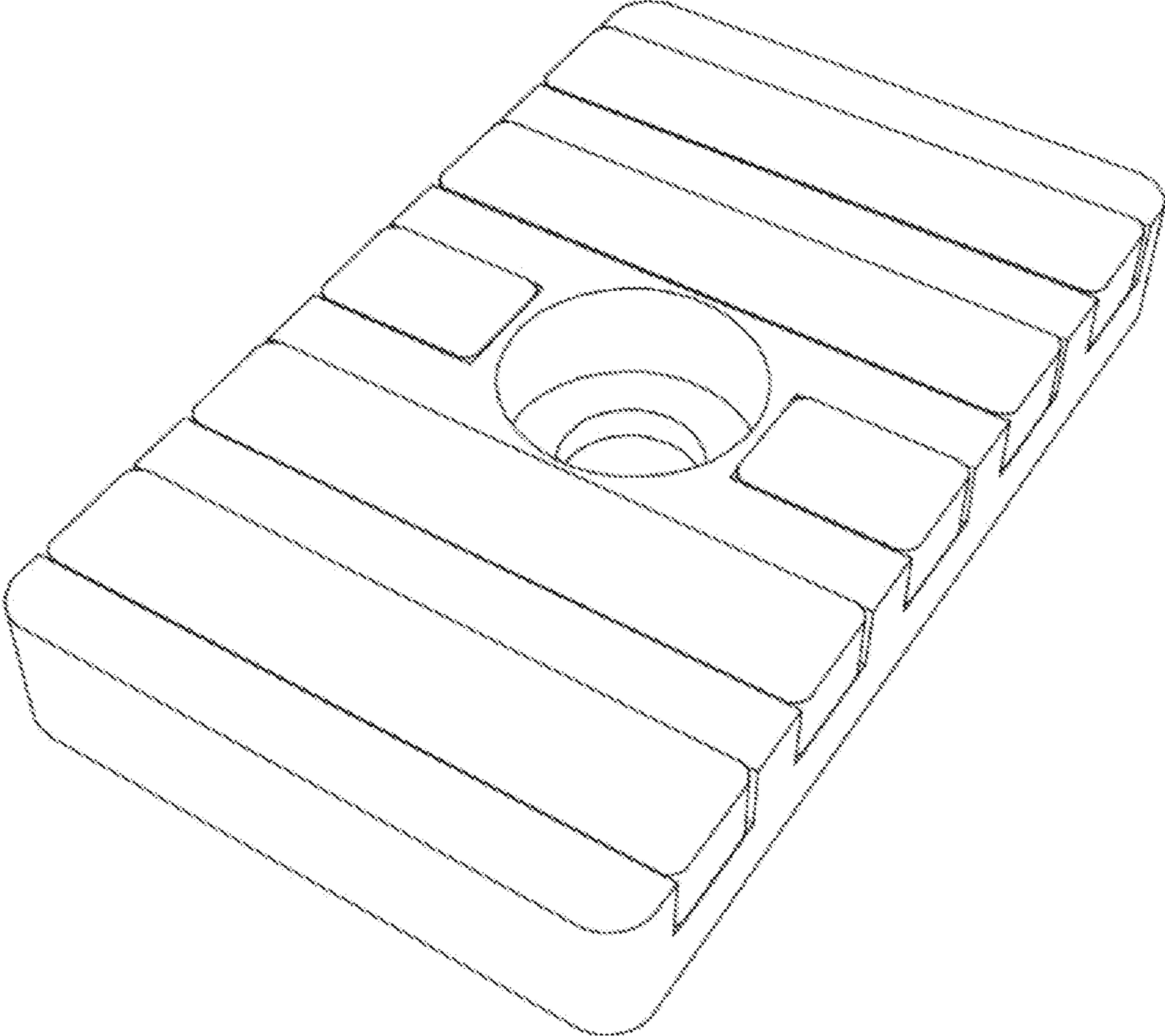


FIG. 9

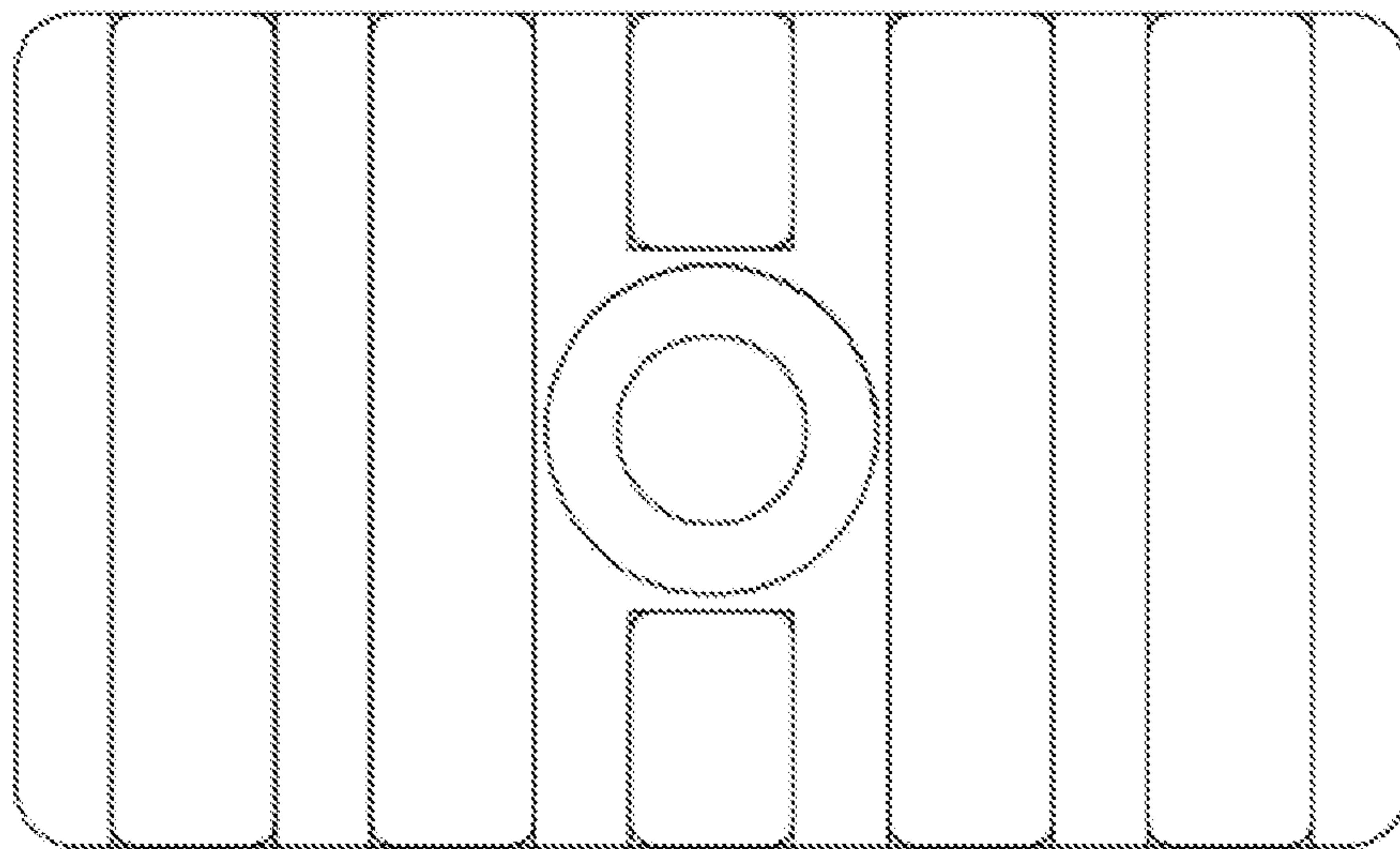


FIG. 10

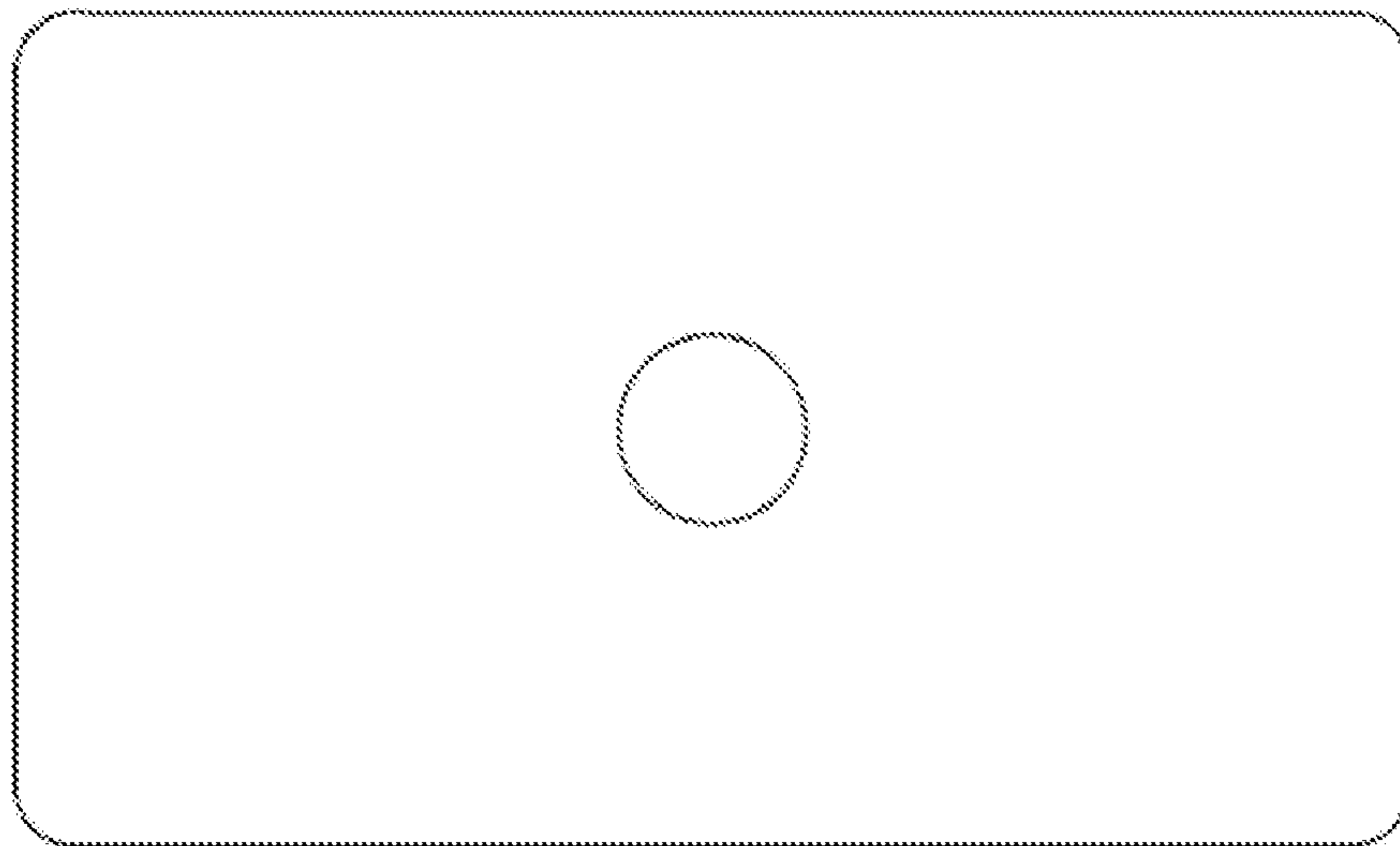


FIG. 11

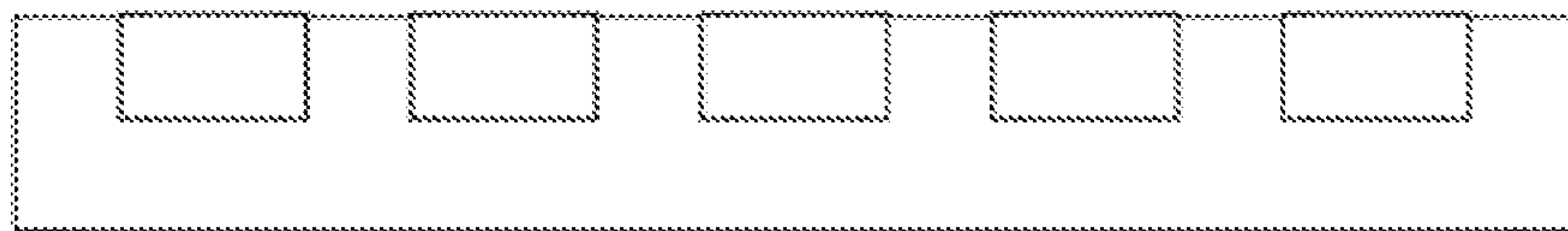


FIG. 12



FIG. 13



FIG. 14

