



US00D938260S

(12) **United States Design Patent** (10) **Patent No.:** **US D938,260 S**  
**Sparks, Jr.** (45) **Date of Patent:** **\*\* Dec. 14, 2021**

(54) **SUPPORT MEMBER SYSTEMS**

(71) Applicant: **Douglas M. Sparks, Jr.**, Houston, MN (US)

(72) Inventor: **Douglas M. Sparks, Jr.**, Houston, MN (US)

(\*\*) Term: **15 Years**

(21) Appl. No.: **29/650,508**

(22) Filed: **Jun. 7, 2018**

(51) **LOC (13) Cl.** ..... **08-08**

(52) **U.S. Cl.**  
USPC ..... **D8/349**

(58) **Field of Classification Search**  
USPC ..... D8/349, 354, 355, 330, 331, 333, 380,  
D8/381; D6/672, 684, 680, 683.1, 703.5  
(Continued)

(56) **References Cited**

U.S. PATENT DOCUMENTS

D254,476 S \* 3/1980 Gilb ..... D8/349  
6,023,902 A \* 2/2000 So ..... E04C 5/06  
52/649.1

(Continued)

*Primary Examiner* — Mark A Goodwin

*Assistant Examiner* — Benjamin M Weeks

(74) *Attorney, Agent, or Firm* — Brooks, Cameron & Huebsch, PLLC

(57) **CLAIM**

The ornamental design for support member systems, as shown and described.

**DESCRIPTION**

FIG. 1 is an isometric view of an embodiment of a support member system of the present disclosure having an all vertical orientation;

FIG. 2 is an isometric view of an embodiment of a support member system of the present disclosure having an all vertical orientation;

FIG. 3 is an isometric view of an embodiment of a support member system of the present disclosure having an all vertical orientation;

FIG. 4 is an isometric view of an embodiment of a support member system of the present disclosure having an all vertical orientation;

FIG. 5 is an isometric view of an embodiment of a support member system of the present disclosure having an all vertical orientation;

FIG. 6 is an isometric view of an embodiment of a support member system of the present disclosure having an all vertical orientation;

FIG. 7 is an isometric view of an embodiment of a support member system of the present disclosure having an all vertical orientation;

FIG. 8 is an isometric view of an embodiment of a support member system of the present disclosure having an all vertical orientation;

FIG. 9 is an isometric view of an embodiment of a support member system of the present disclosure having a two vertical and one horizontal orientation;

FIG. 10 is an isometric view of an embodiment of a support member system of the present disclosure having a two vertical and one horizontal orientation;

FIG. 11 is an isometric view of an embodiment of a support member system of the present disclosure having a two horizontal and one vertical orientation;

FIG. 12 is an isometric view of an embodiment of a support member system of the present disclosure having a blocking adapter;

FIG. 13 is an isometric view of an embodiment of a support member system of the present disclosure having a blocking adapter;

FIG. 14 is an isometric view of an embodiment of a support member system of the present disclosure having a blocking adapter;

FIG. 15 is an isometric view of an embodiment of a support member system of the present disclosure having a one-by-two and one-by-two combination; and,

(Continued)

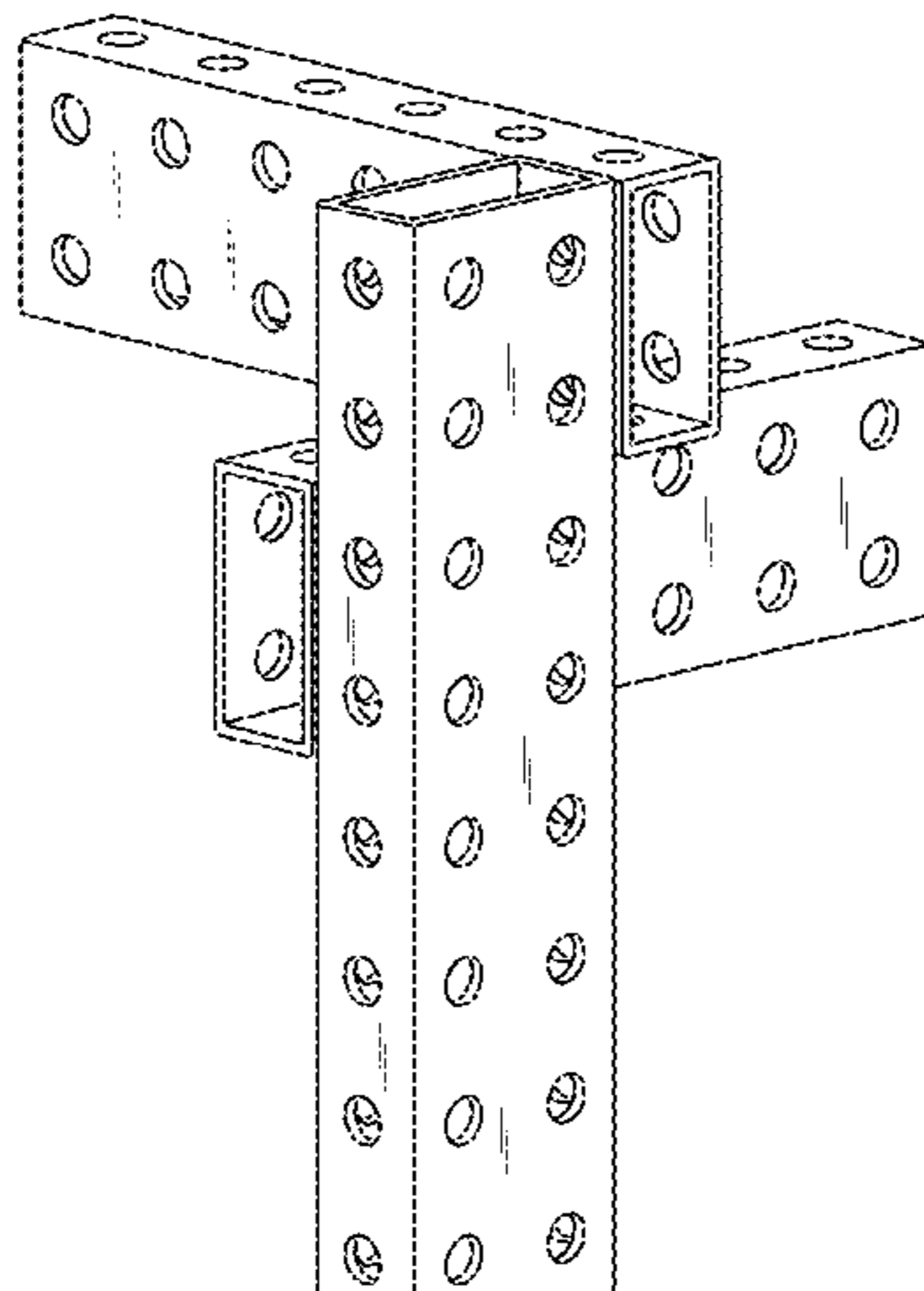


FIG. 16 is an isometric view of an embodiment of a support member system of the present disclosure having a one-by-two and one-by-two combination.

The support member systems is shown with a symbolic break in its length. The appearance of any portion of the article beyond the break lines forms no part of the claimed design.

**1 Claim, 16 Drawing Sheets**

(58) **Field of Classification Search**

CPC ..... F16B 5/00; F16B 5/02; F16B 12/50

See application file for complete search history.

(56) **References Cited**

U.S. PATENT DOCUMENTS

D494,778	S *	8/2004	Vosbikian .....	D6/683.1
6,776,298	B2 *	8/2004	Courtwright .....	B65G 1/026 211/183
D543,382	S *	5/2007	Glassenberg .....	D6/678.4
D598,219	S	8/2009	Sparks	
D734,633	S *	7/2015	Espiritu .....	D6/719
9,523,188	B2 *	12/2016	Rahimzadeh .....	E04C 3/293
D782,289	S *	3/2017	Darby .....	D8/380
D790,324	S *	6/2017	Ajello .....	D8/354
D826,692	S *	8/2018	Macdonald .....	D8/349
D828,146	S *	9/2018	Lu .....	D8/381
D828,743	S *	9/2018	Bright .....	D8/380
D842,372	S *	3/2019	Hostetler .....	D17/20
D850,888	S *	6/2019	Pigg .....	D8/349
2004/0094496	A1 *	5/2004	MacDonald .....	A47B 91/00 211/189

\* cited by examiner

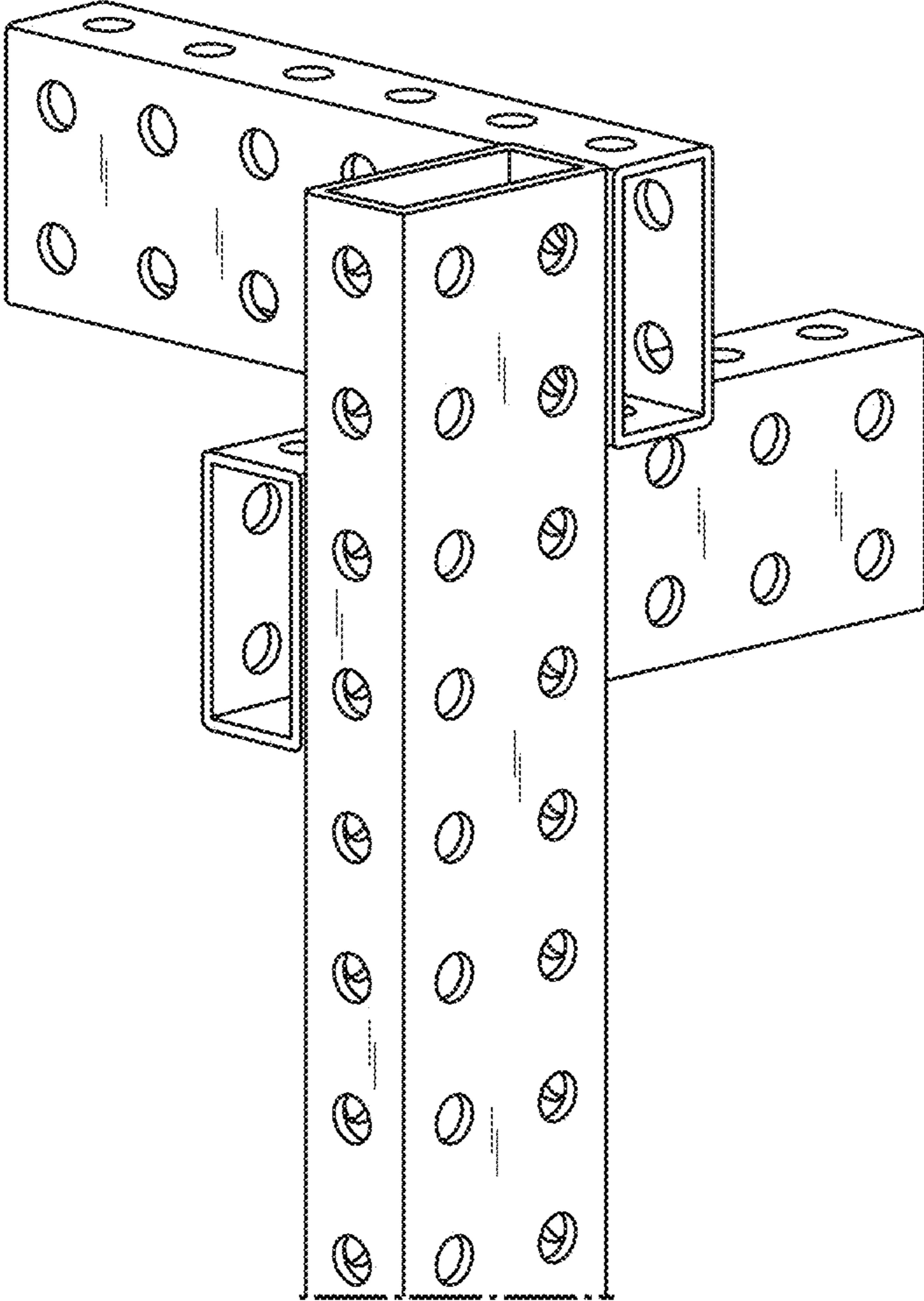


Fig. 1

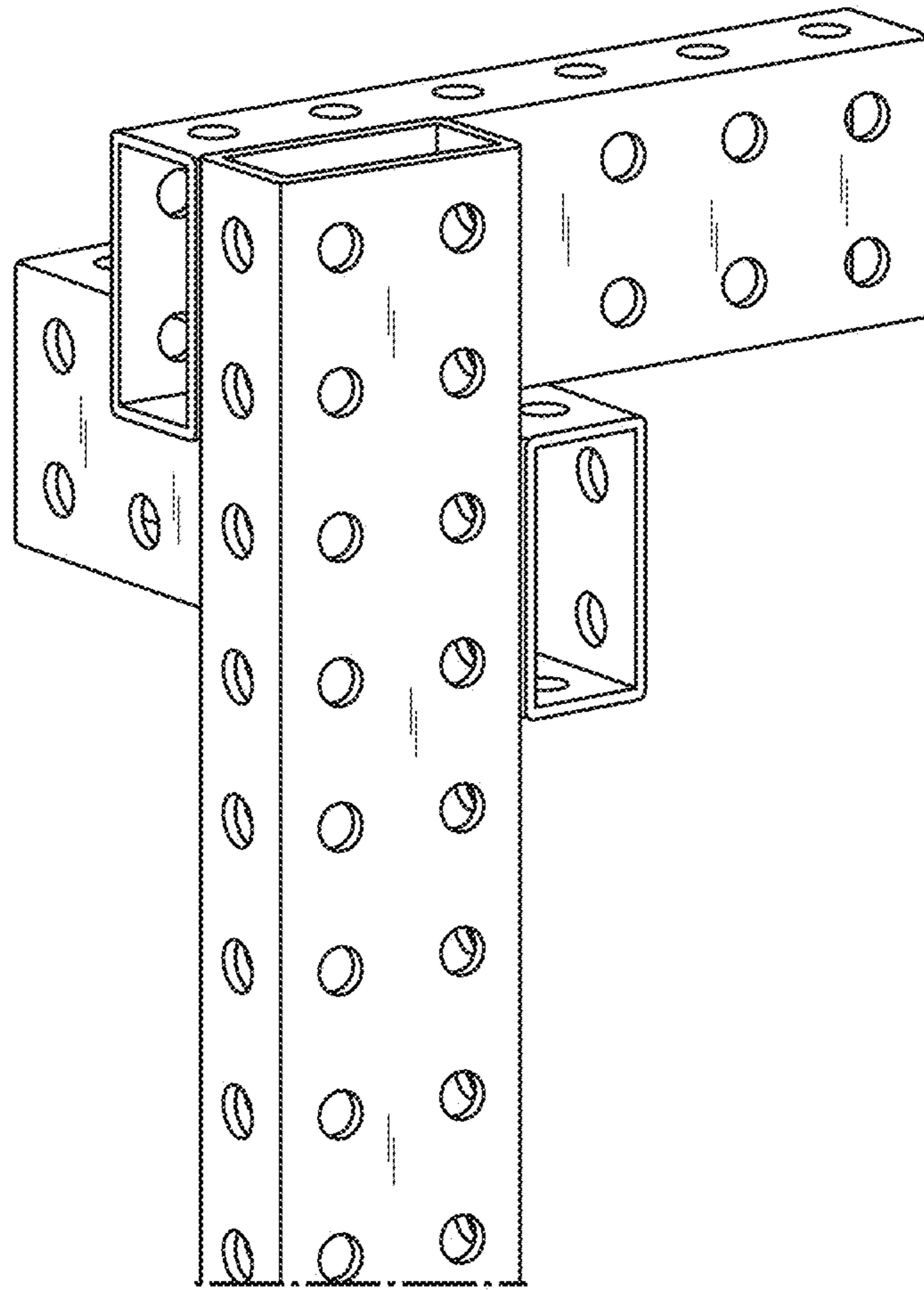
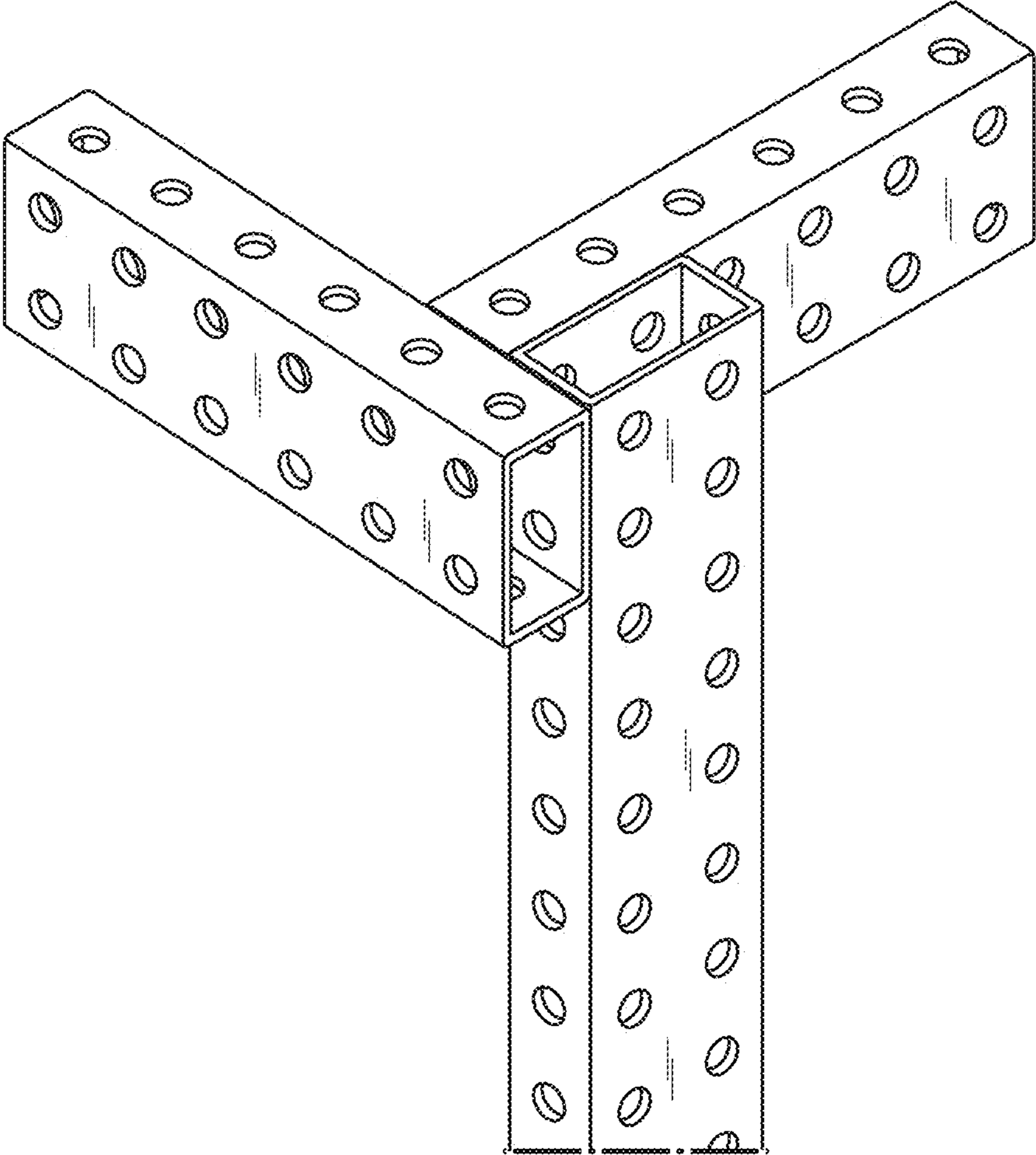


Fig. 2



**Fig. 3**

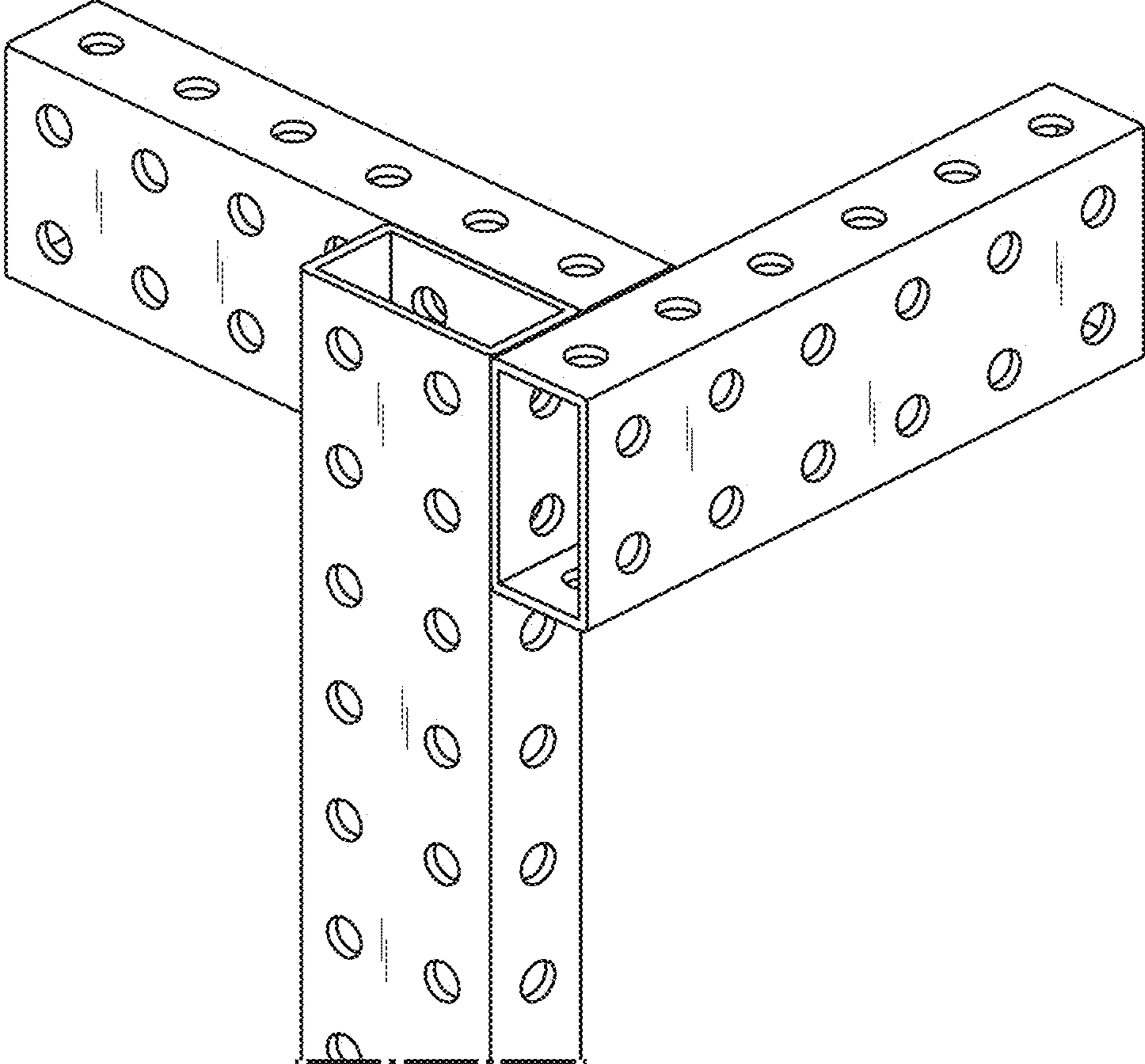


Fig. 4

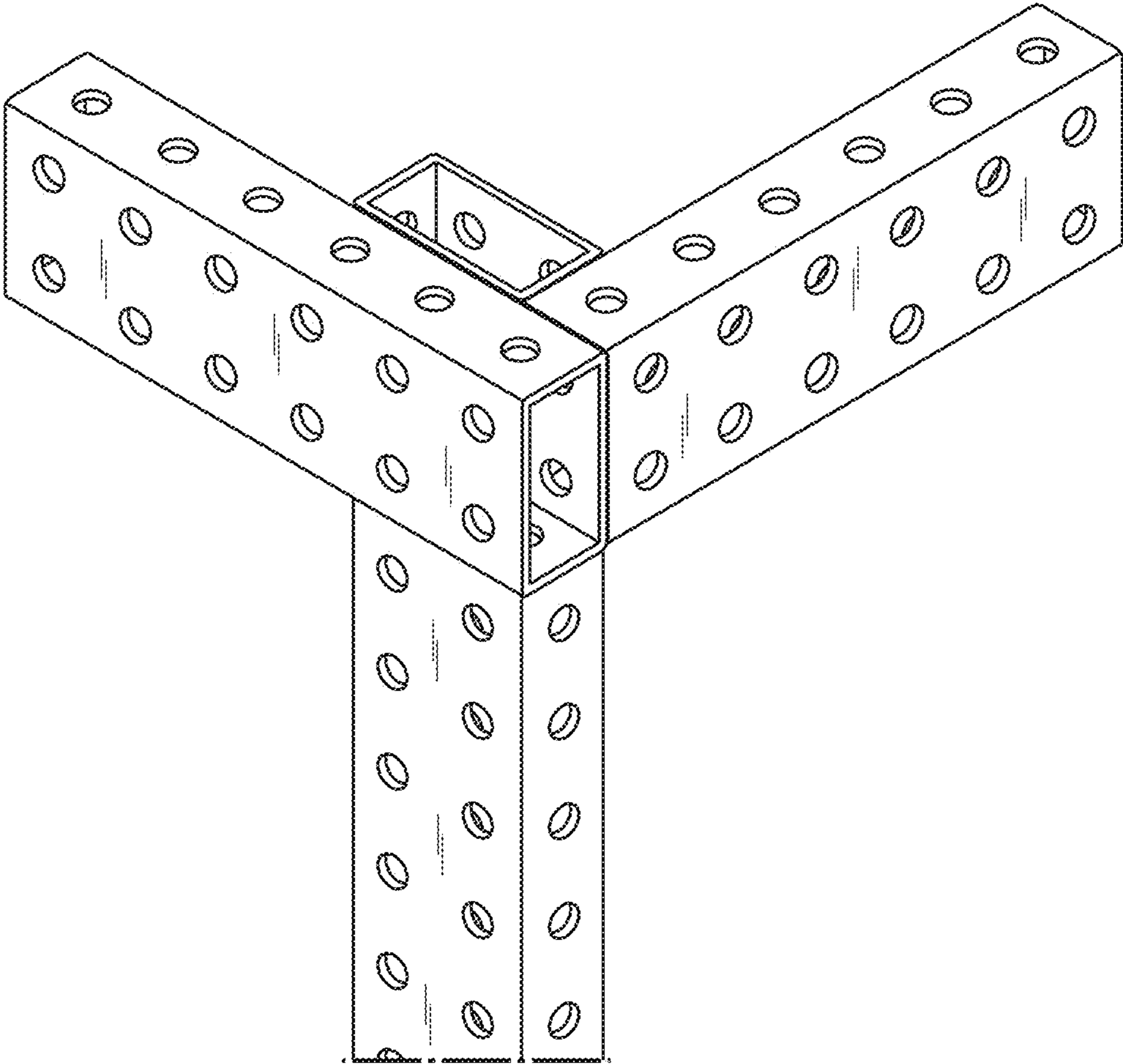
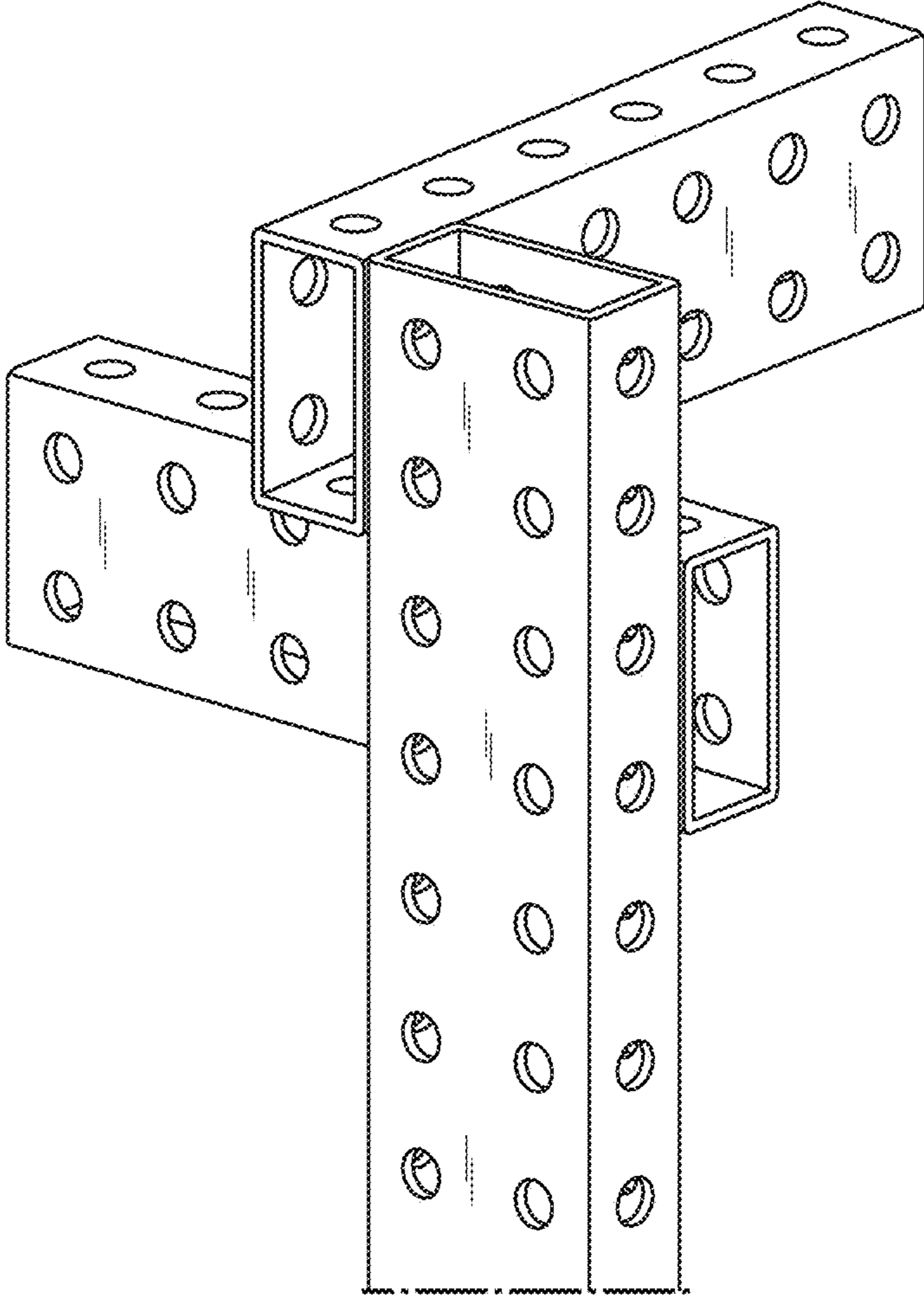


Fig. 5



**Fig. 6**



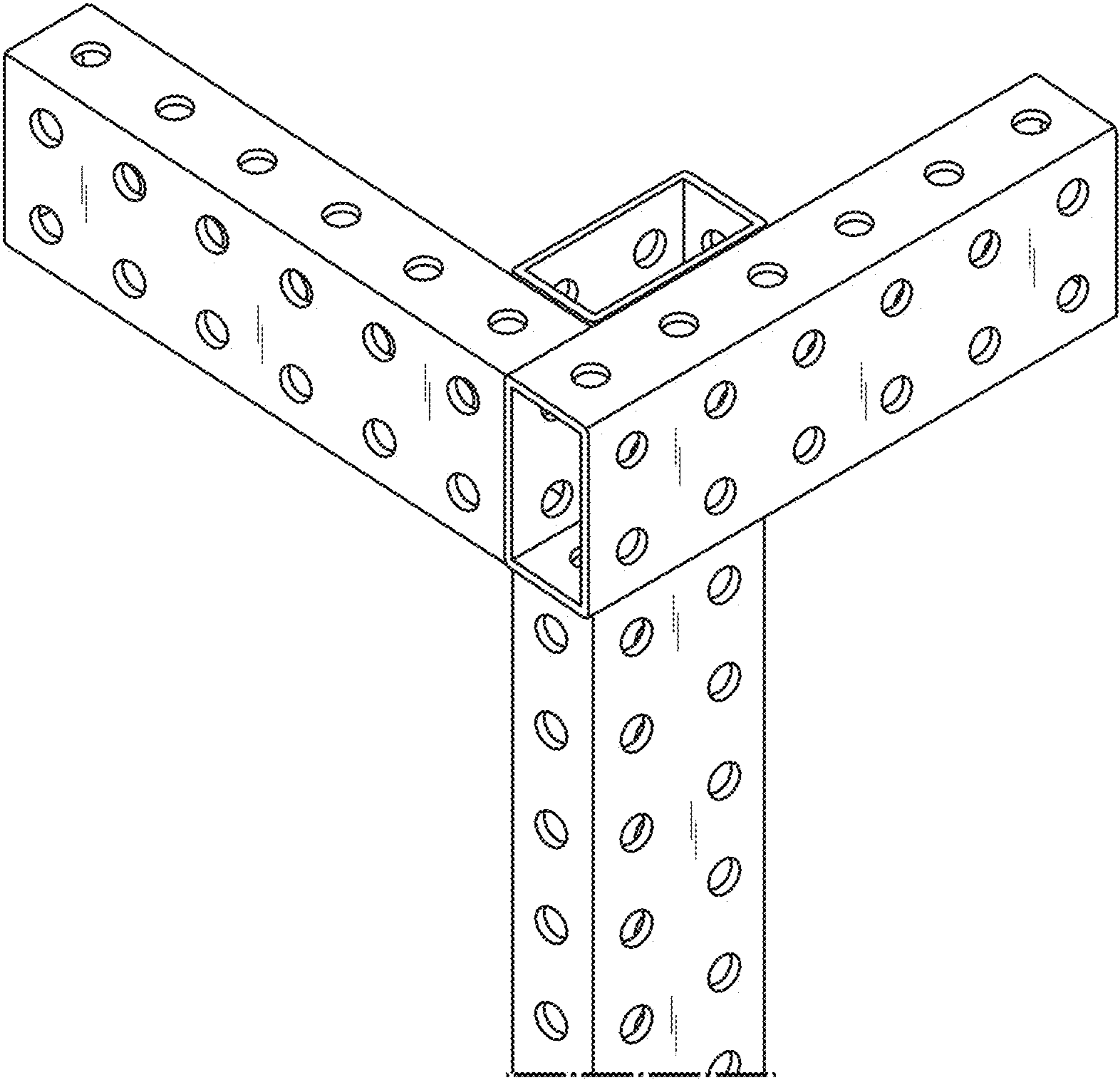


Fig. 7

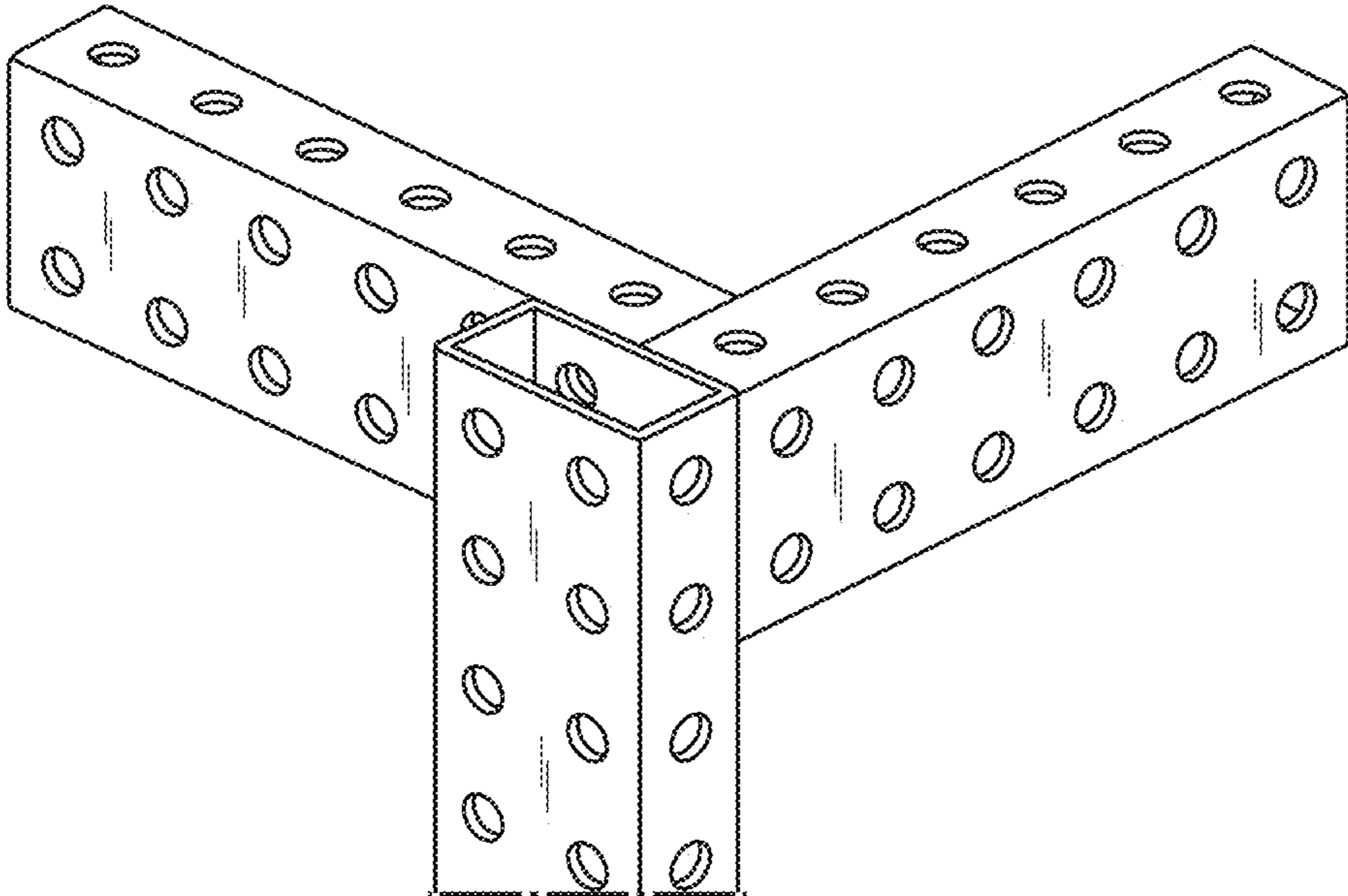
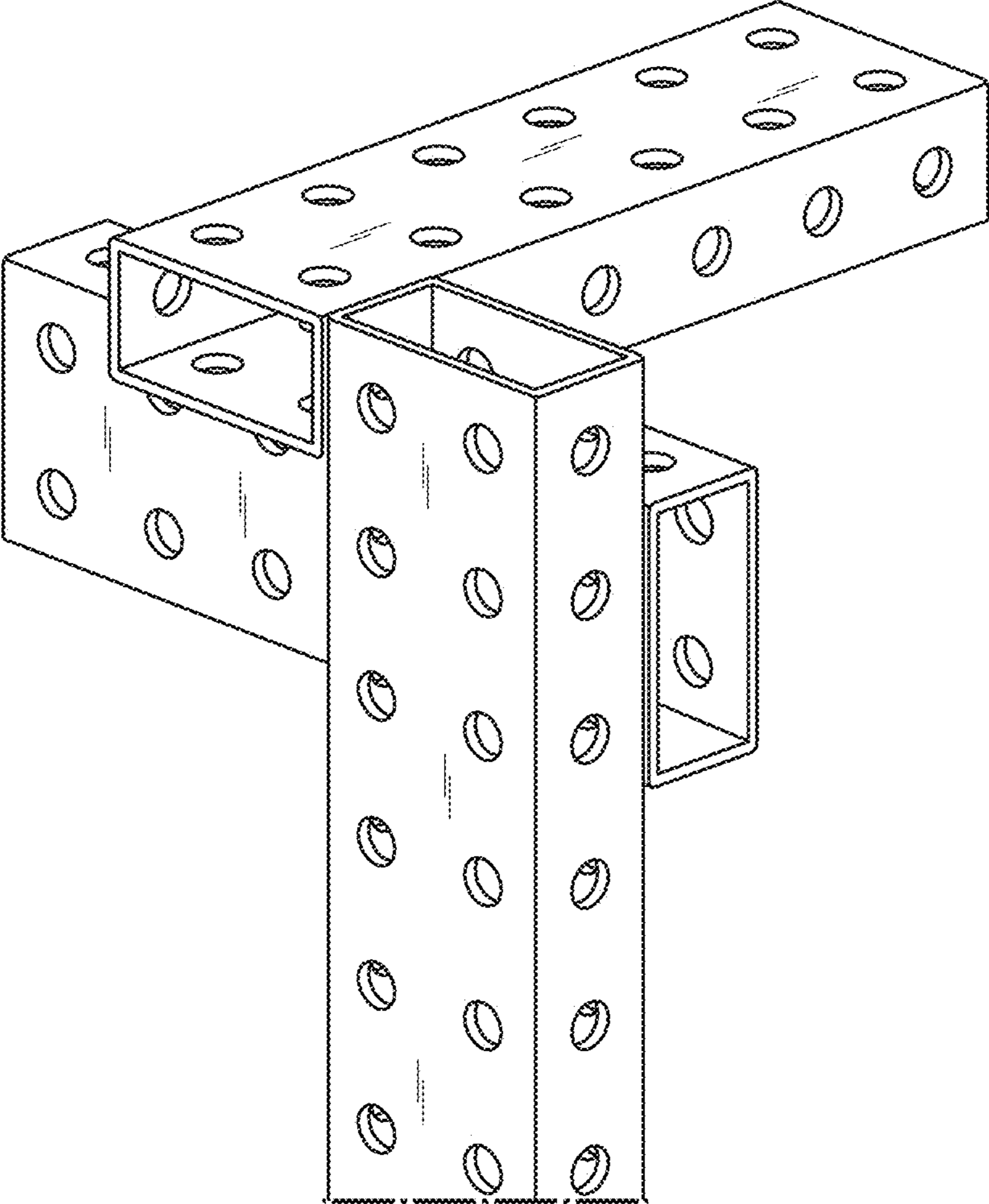


Fig. 8



**Fig. 9**

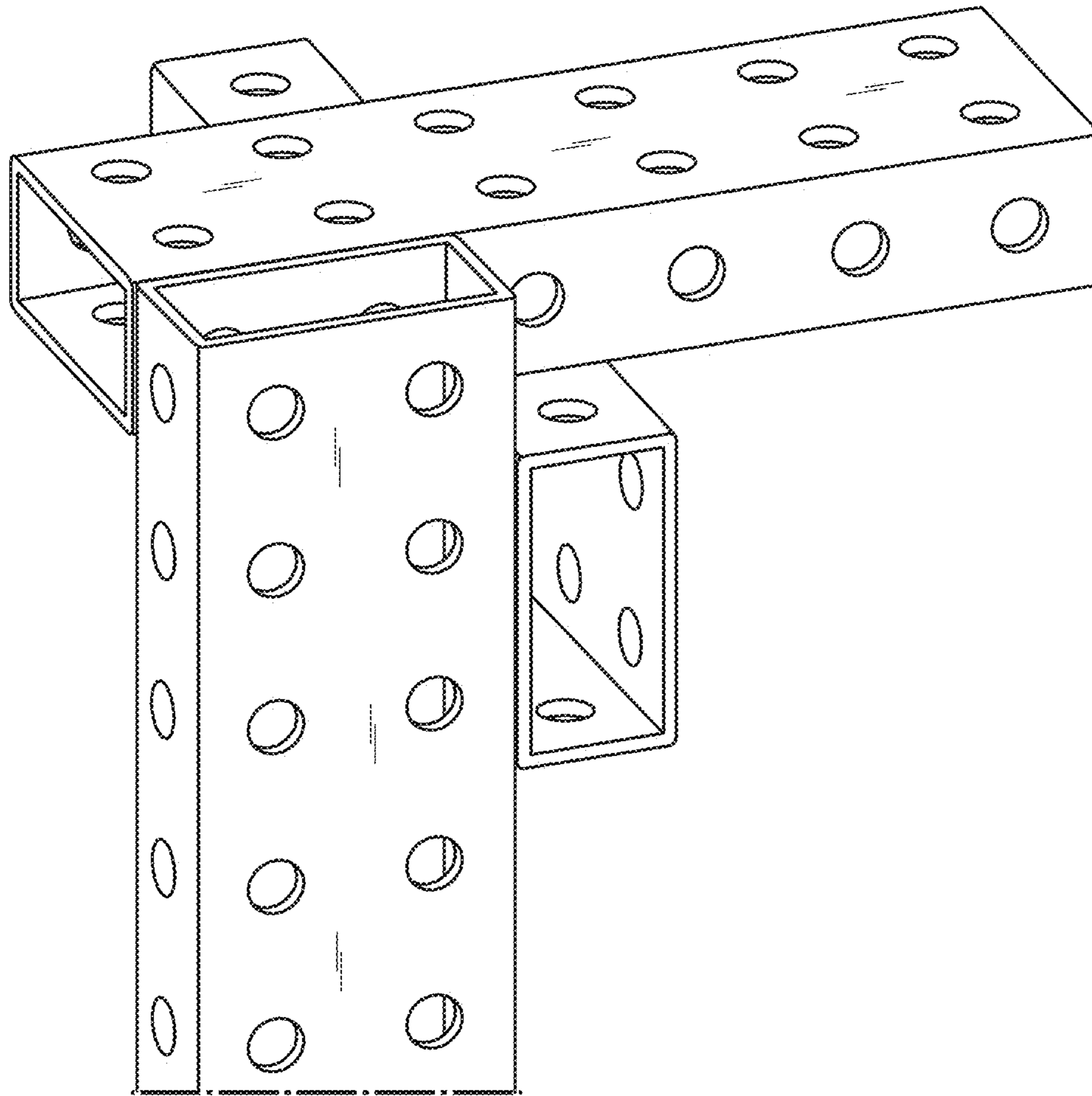


Fig. 10

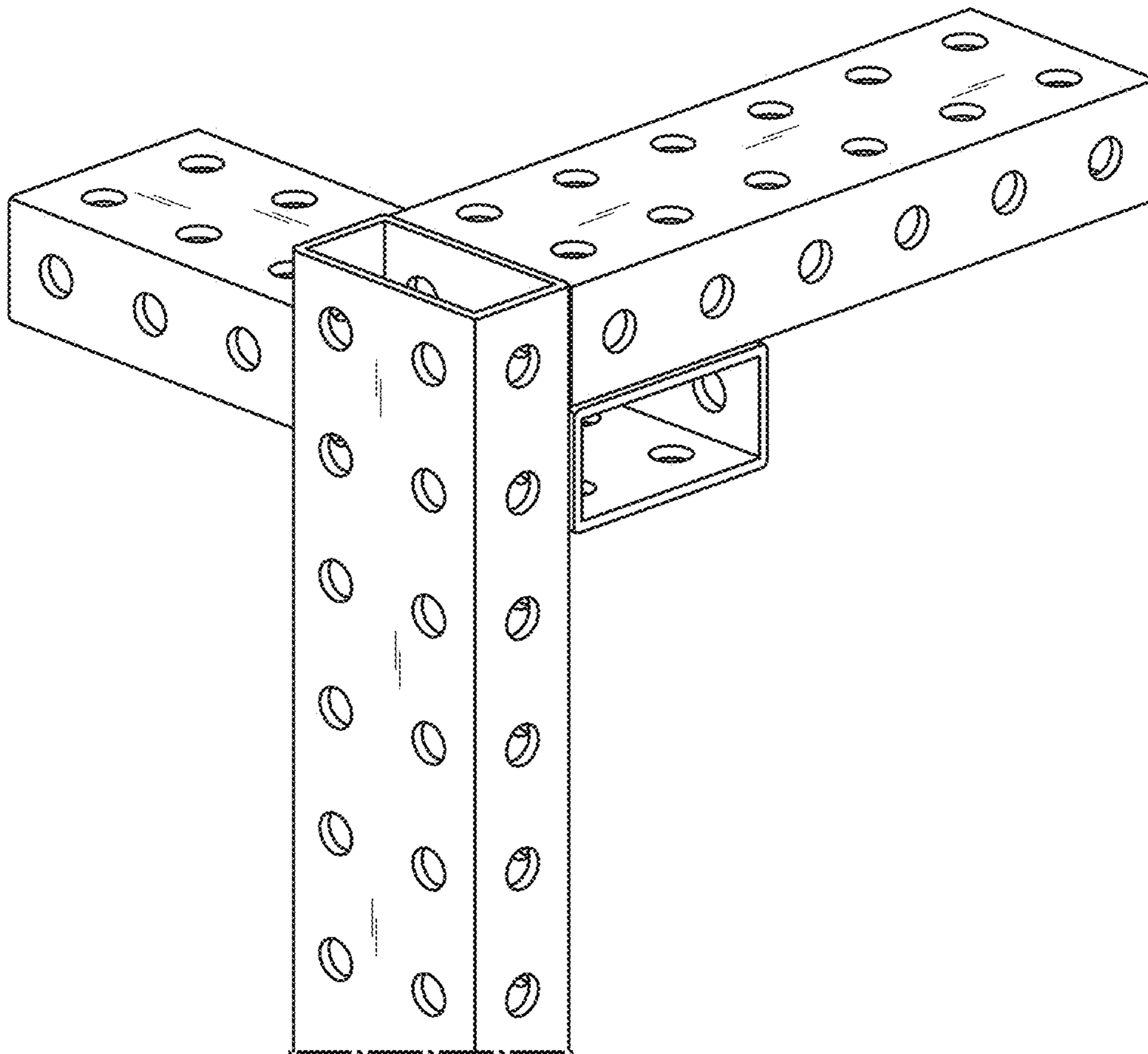
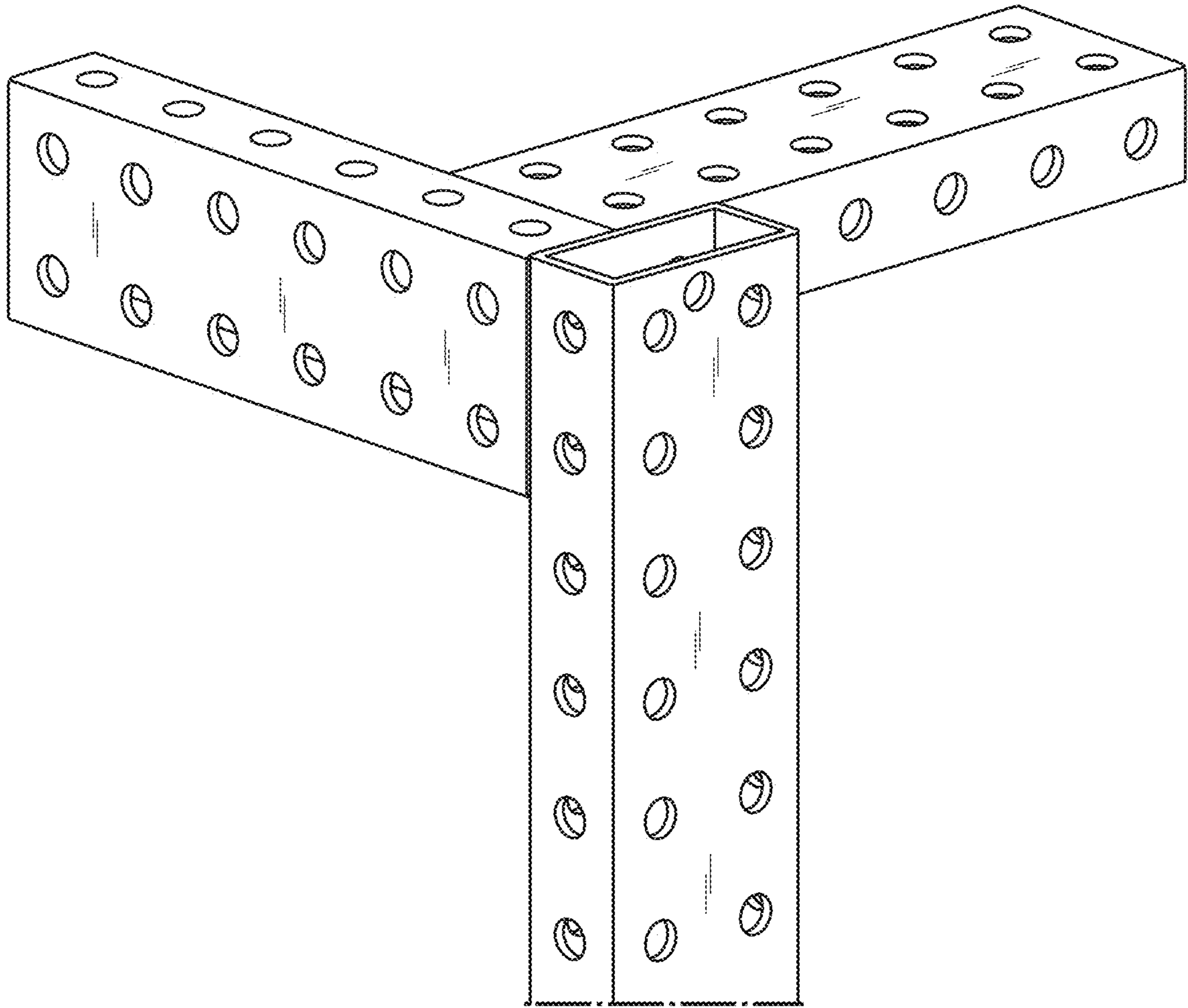


Fig. 11



**Fig. 12**

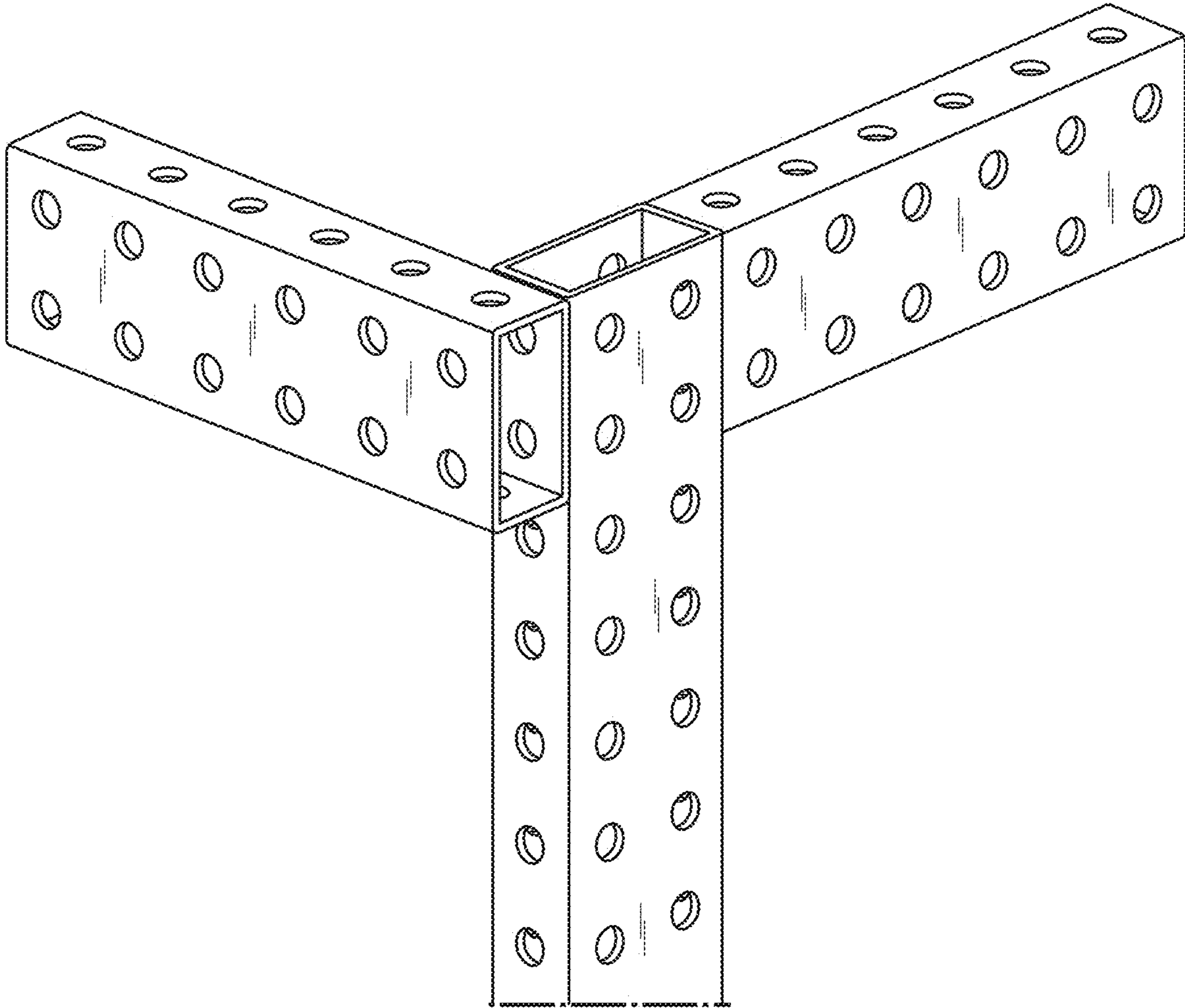


Fig. 13

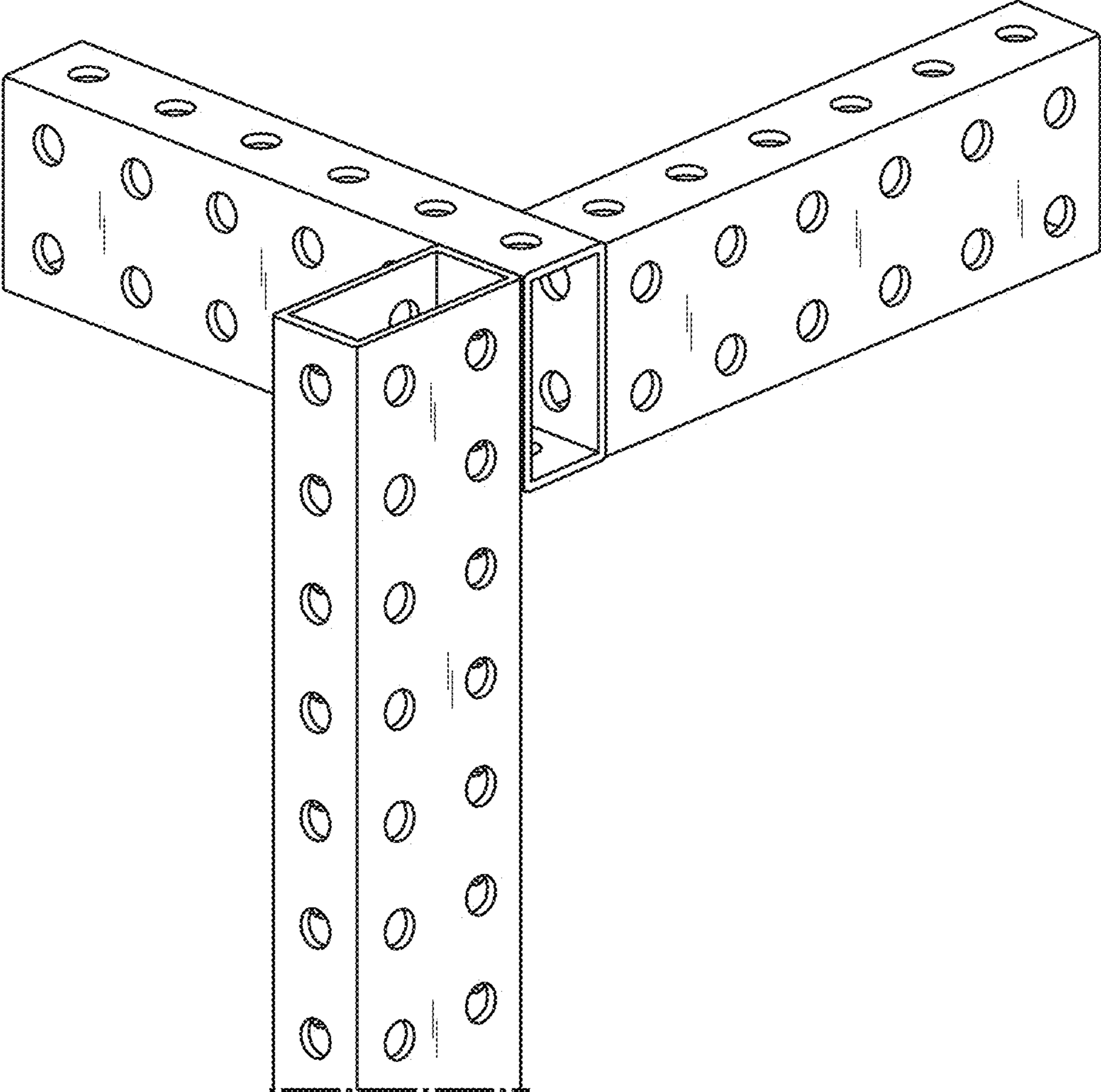


Fig. 14



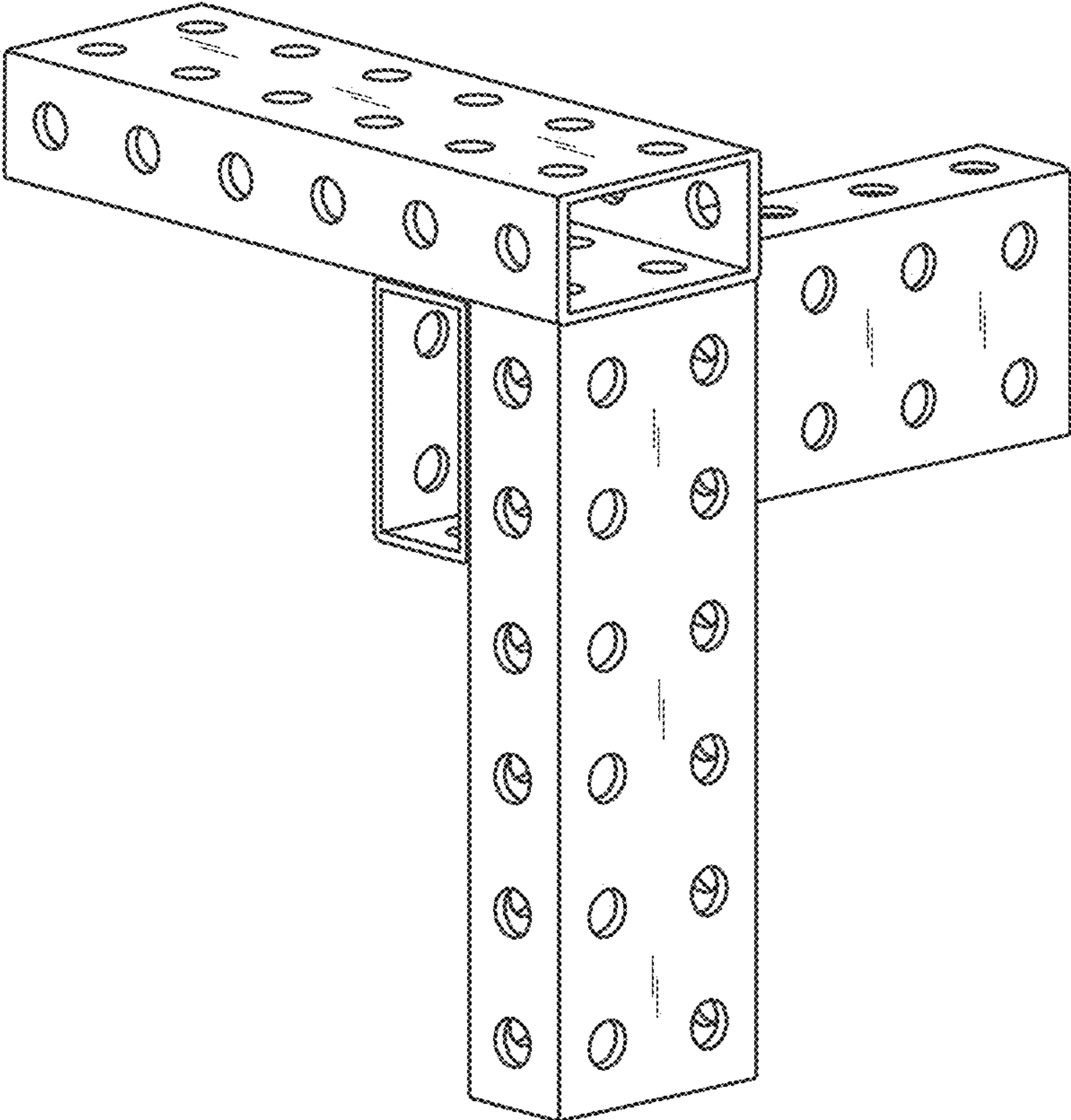


Fig. 15

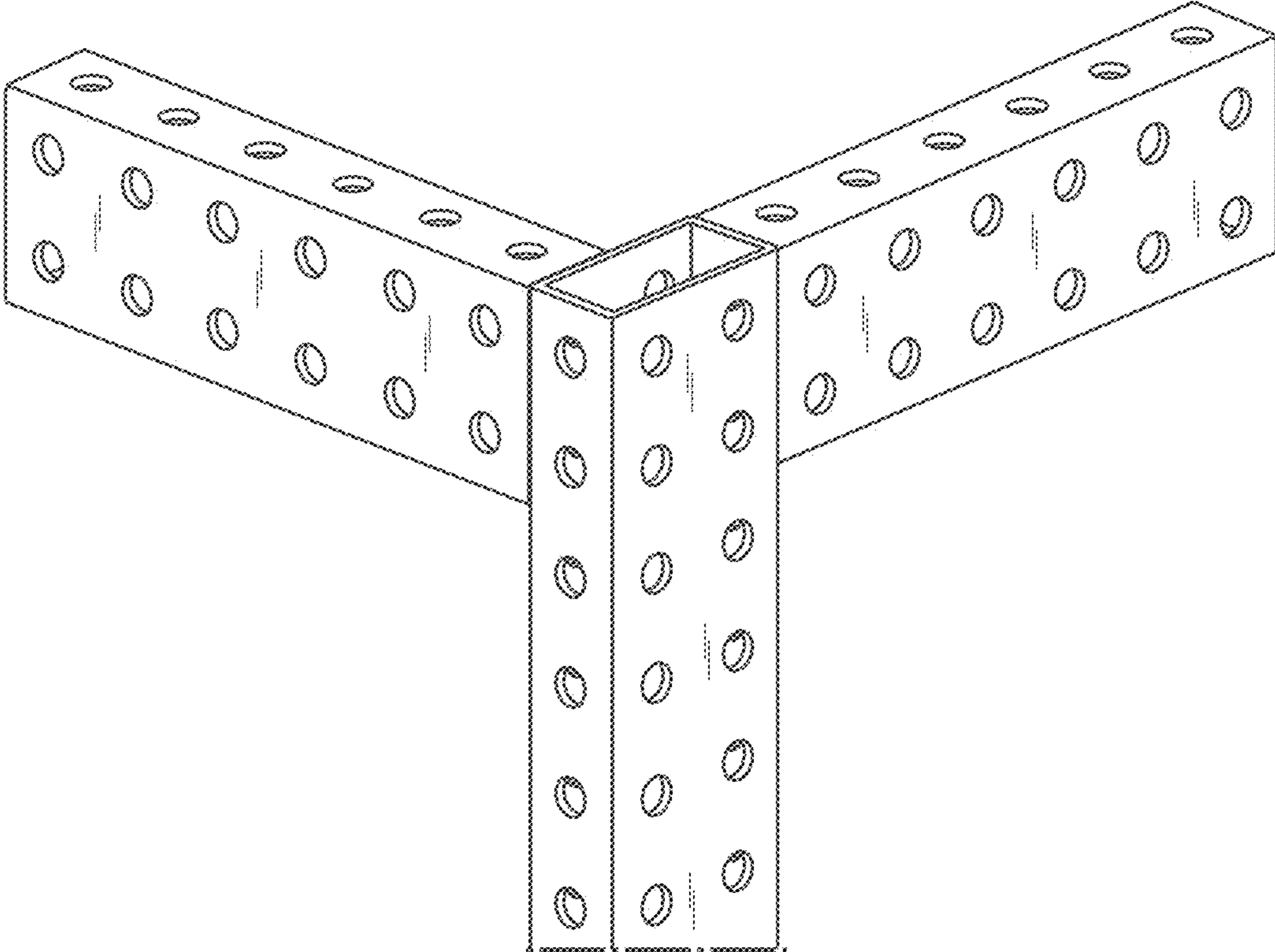


Fig. 16