



US00D938257S

(12) **United States Design Patent**
Marsden et al.

(10) **Patent No.:** **US D938,257 S**
(45) **Date of Patent:** **** Dec. 14, 2021**

(54) **LOCK**
(71) Applicant: **Elbee Pty Ltd.**, Bondi Junction (AU)
(72) Inventors: **Andrew Marsden**, Hingham, MA (US);
Scott Smith, Hartford, CT (US); **Jesse S. Kruska**, Westport, CT (US); **David Mathieu**, Glastonbury, CT (US)
(73) Assignee: **Elbee Pty Ltd.**, Bondi Junction (AU)
(**) Term: **15 Years**

D597,397 S * 8/2009 Nazzari D8/330
D601,403 S * 10/2009 Cosby D8/331
D605,493 S * 12/2009 Tejszerski D8/331
7,731,251 B2 * 6/2010 Ye E05B 65/0864
292/163
D620,341 S * 7/2010 Rechberg D8/339
D627,622 S * 11/2010 Cosby D8/331
D628,458 S * 12/2010 Yamaguchi D8/330
D656,385 S * 3/2012 Rosario D8/337
D733,520 S * 7/2015 Barna D8/330
D737,656 S * 9/2015 Macernis D8/331
D766,066 S * 9/2016 Euchner D8/330
D772,691 S * 11/2016 Han D8/330
D787,299 S * 5/2017 Liu D8/331

(Continued)

(21) Appl. No.: **29/647,734**

(22) Filed: **May 15, 2018**

(51) **LOC (13) Cl.** **08-07**
(52) **U.S. Cl.**
USPC **D8/330**

(58) **Field of Classification Search**
USPC D8/330, 331, 333, 336, 337, 338, 339,
D8/340, 341, 342, 343, 344
CPC E05C 1/00; E05C 1/08; E05C 3/00; E05C
3/002; E05C 3/004; E05C 3/04; E05C
5/00
See application file for complete search history.

(56) **References Cited**

U.S. PATENT DOCUMENTS

D217,584 S * 5/1970 Gervis et al. D8/341
3,640,106 A * 2/1972 Lorincz E05C 17/365
70/93
D318,217 S * 7/1991 Weinerman D8/331
D382,790 S * 8/1997 Hankel D8/301
D390,769 S * 2/1998 Hankel D8/301
D449,971 S * 11/2001 Schell D8/333
D451,367 S * 12/2001 Nakamura D8/330
D495,583 S * 9/2004 Senn D8/343
D525,859 S * 8/2006 Eichert D8/344
D536,950 S * 2/2007 Liang D8/331
D567,067 S * 4/2008 Liang D8/344

FOREIGN PATENT DOCUMENTS

CN 203412419 U 1/2014
EP 2 418 343 A2 2/2012

(Continued)

Primary Examiner — Steven J Czyz
(74) *Attorney, Agent, or Firm* — Wolf, Greenfield & Sacks, P.C.

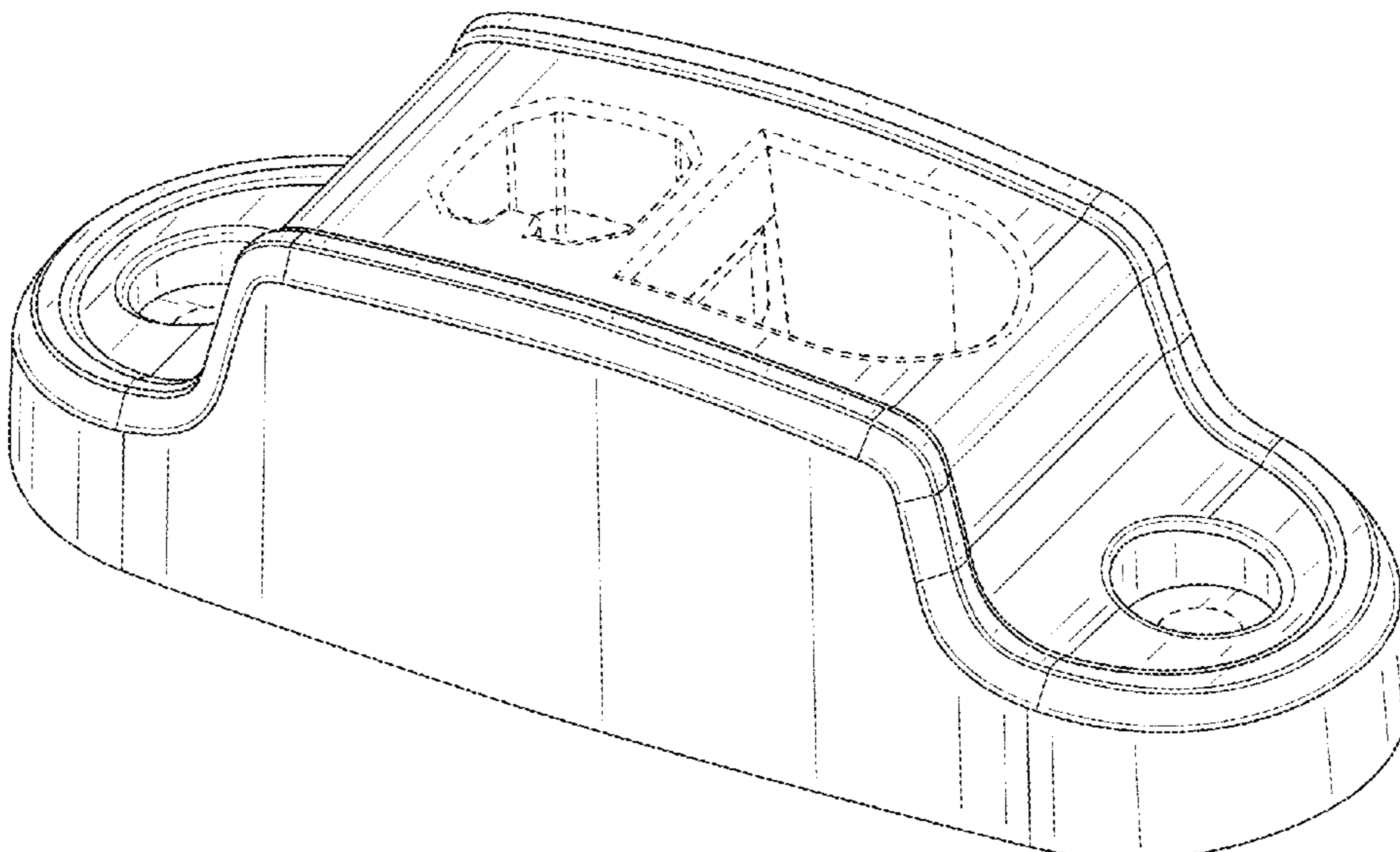
(57) **CLAIM**

The ornamental design for a lock, as shown and described.

DESCRIPTION

FIG. 1 is a top, front, right side perspective view of a lock showing our new design;
FIG. 2 is a front elevation view thereof;
FIG. 3 is a rear elevation view thereof;
FIG. 4 is a right side elevation view thereof;
FIG. 5 is a left side elevation view thereof;
FIG. 6 is a top plan view thereof; and,
FIG. 7 is a bottom plan view thereof.
The broken lines illustrate portions of the lock that form no part of the claimed design.

1 Claim, 7 Drawing Sheets



(56)

References Cited

U.S. PATENT DOCUMENTS

D790,956 S * 7/2017 Hetfield D8/350
9,890,571 B1 * 2/2018 Marsden E05C 17/36
D831,461 S * 10/2018 Jarrett D8/333
10,570,646 B2 * 2/2020 Marsden E05B 65/0014
D884,455 S * 5/2020 Chen D8/331
D889,933 S * 7/2020 Marsden E05C 17/365
D8/339
D890,596 S * 7/2020 Piggott D8/331
D899,891 S * 10/2020 Xie D8/330
D915,177 S * 4/2021 Scarlett E05B 65/0014
D8/331
2017/0058580 A1 * 3/2017 Marsden E05C 17/36
2019/0352948 A1 * 11/2019 Marsden E05C 17/48

FOREIGN PATENT DOCUMENTS

EP 3 228 789 A1 10/2017
EP 3 034 729 B1 11/2017
GB 995 017 A 6/1965
GB 2 527 920 A 1/2016
GB 2 508 986 B 12/2019
WO WO 2014/108680 A1 7/2014
WO WO 2017/160261 A1 9/2017
WO WO 2019/161973 A1 8/2019

* cited by examiner

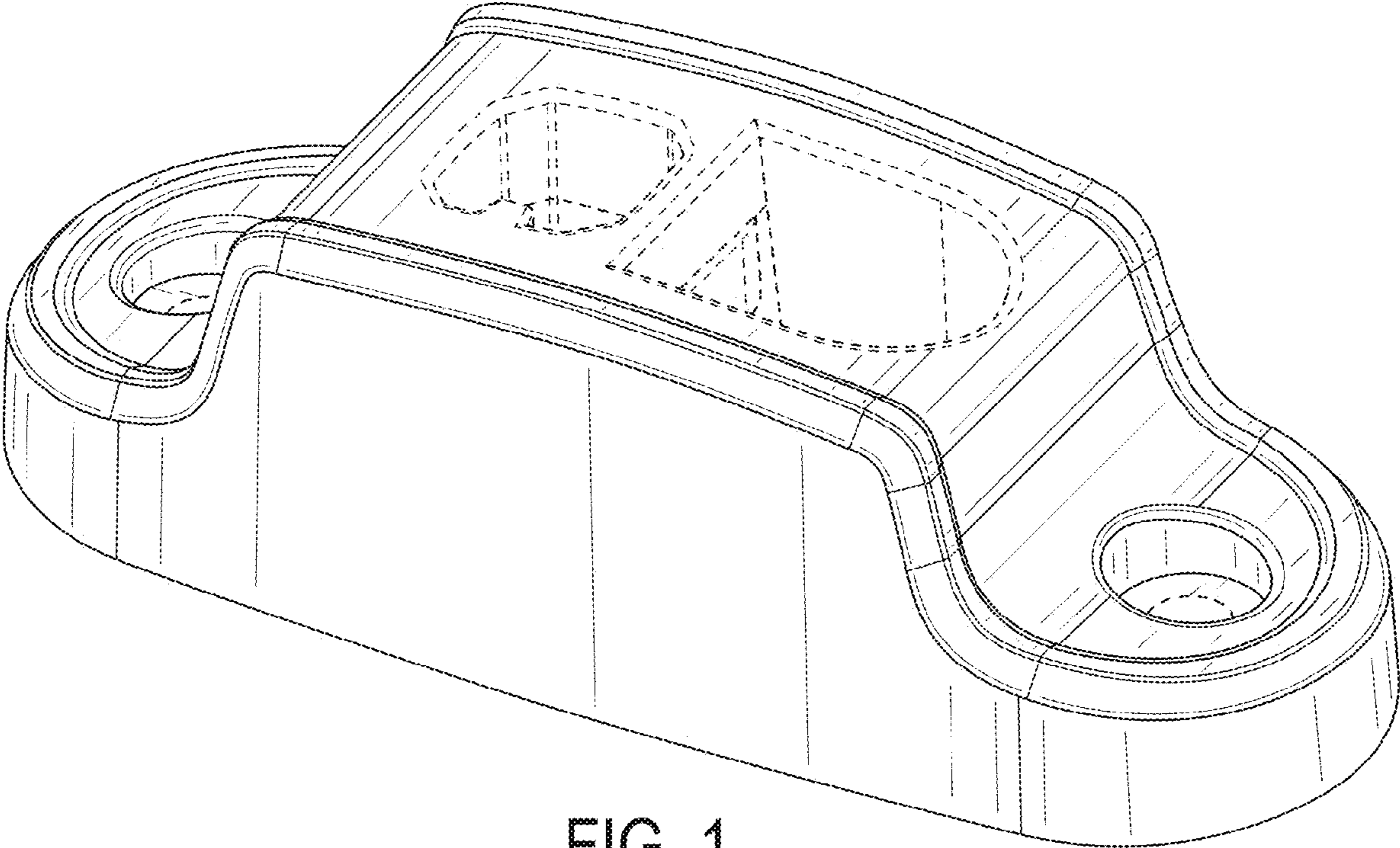


FIG. 1

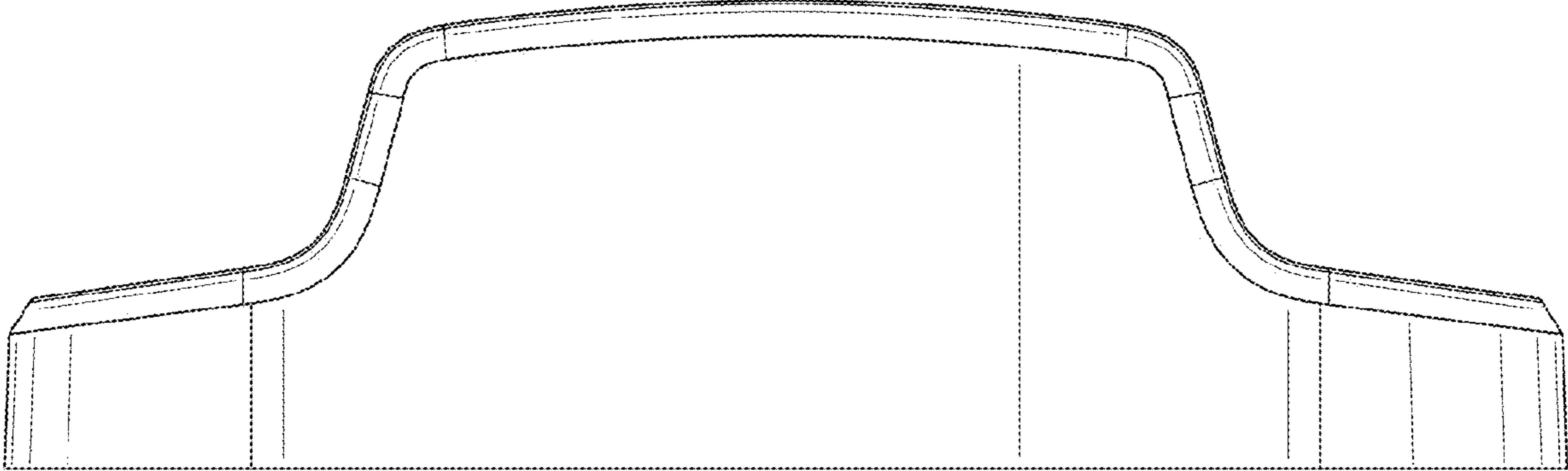


FIG. 2

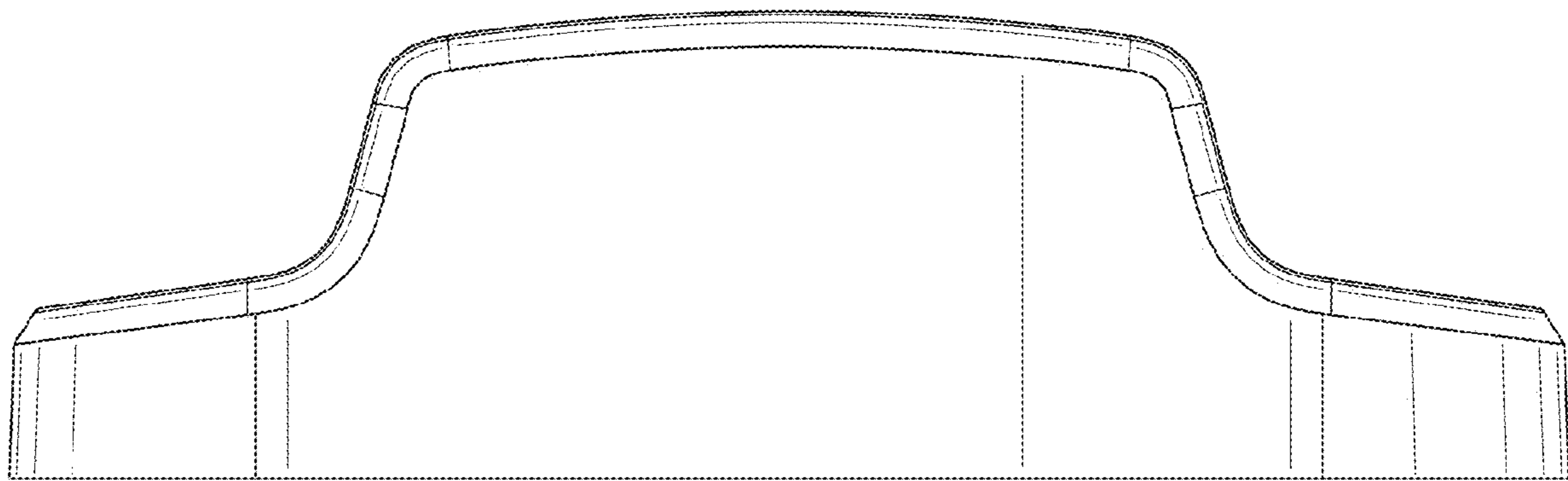


FIG. 3

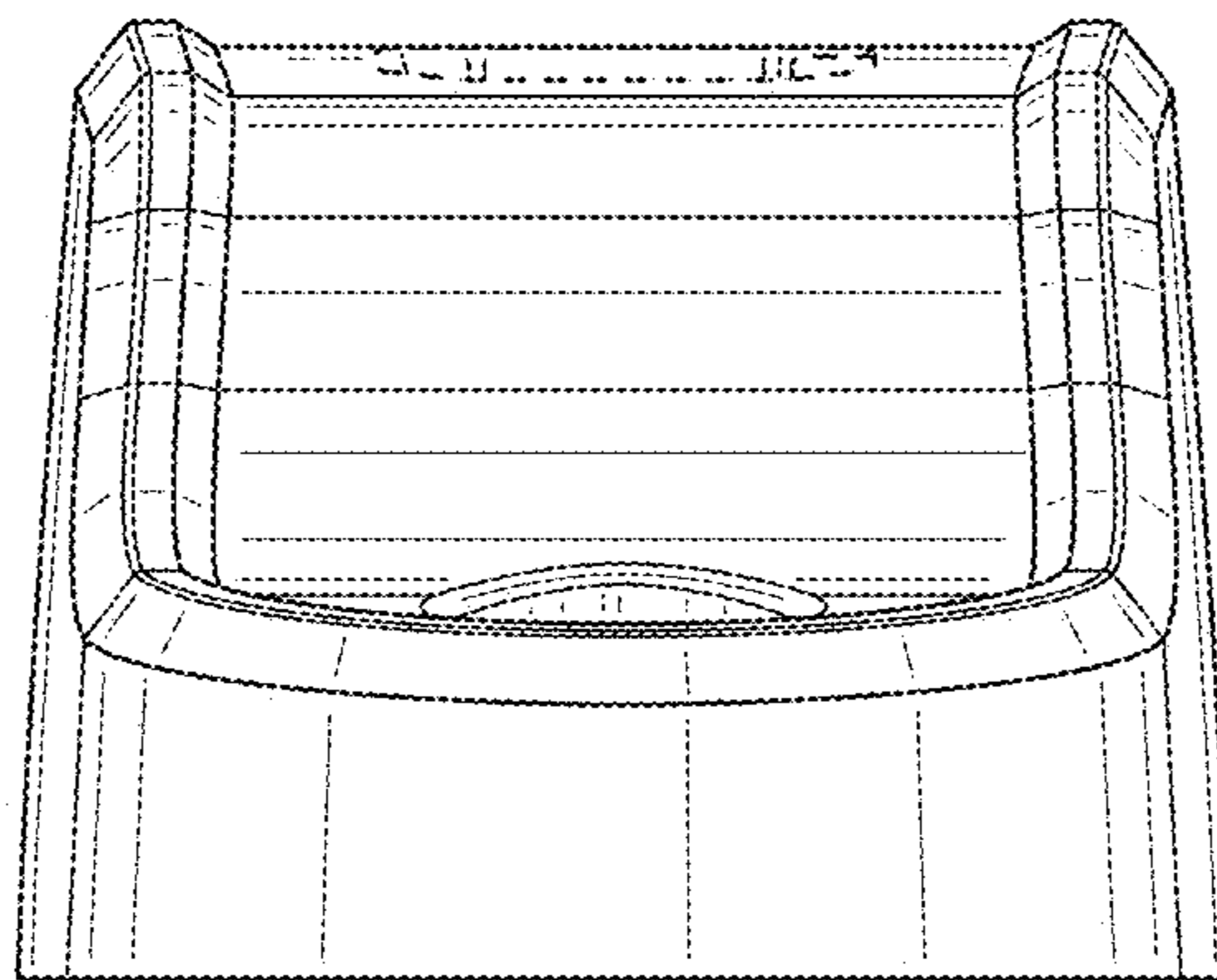


FIG. 4

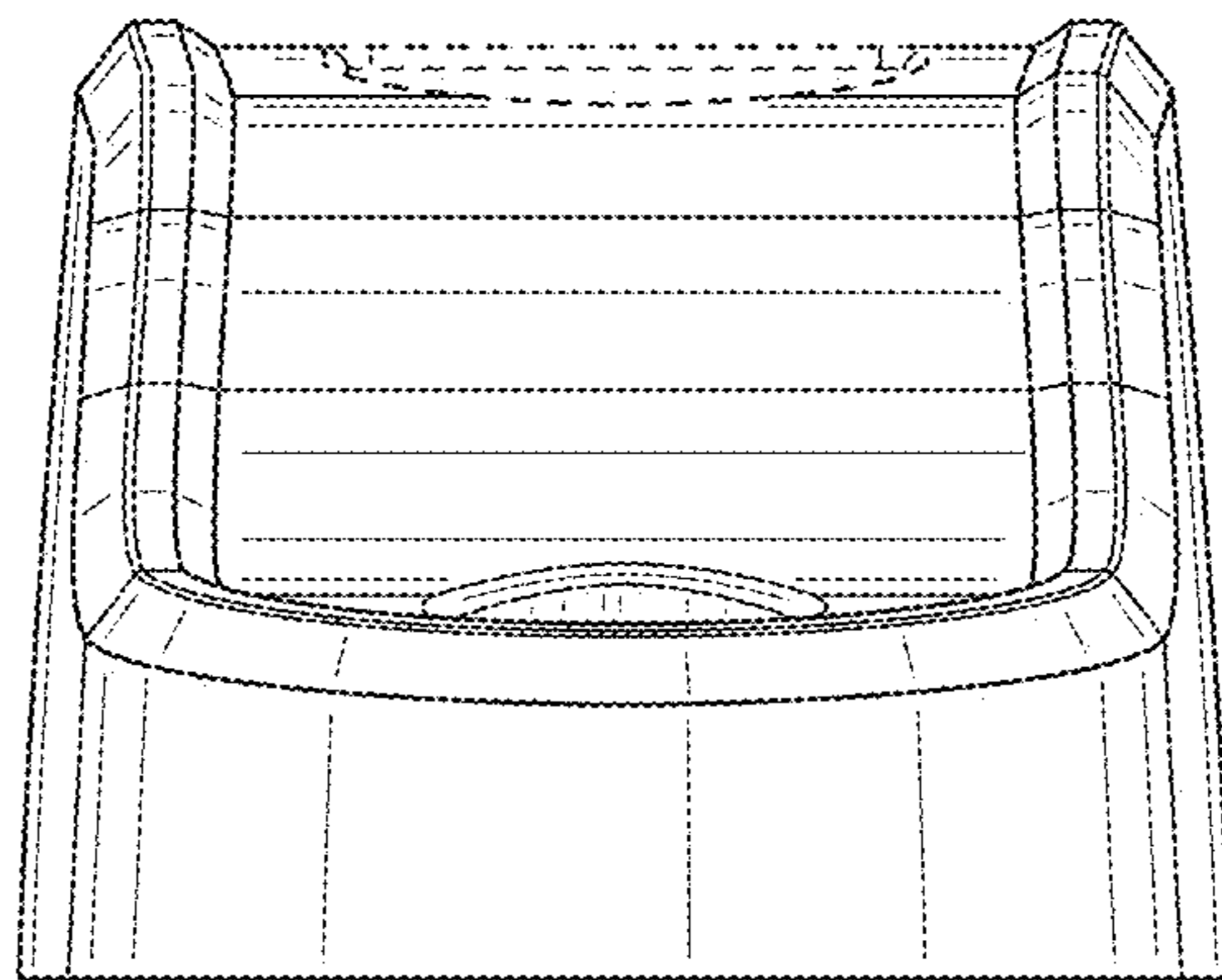


FIG. 5

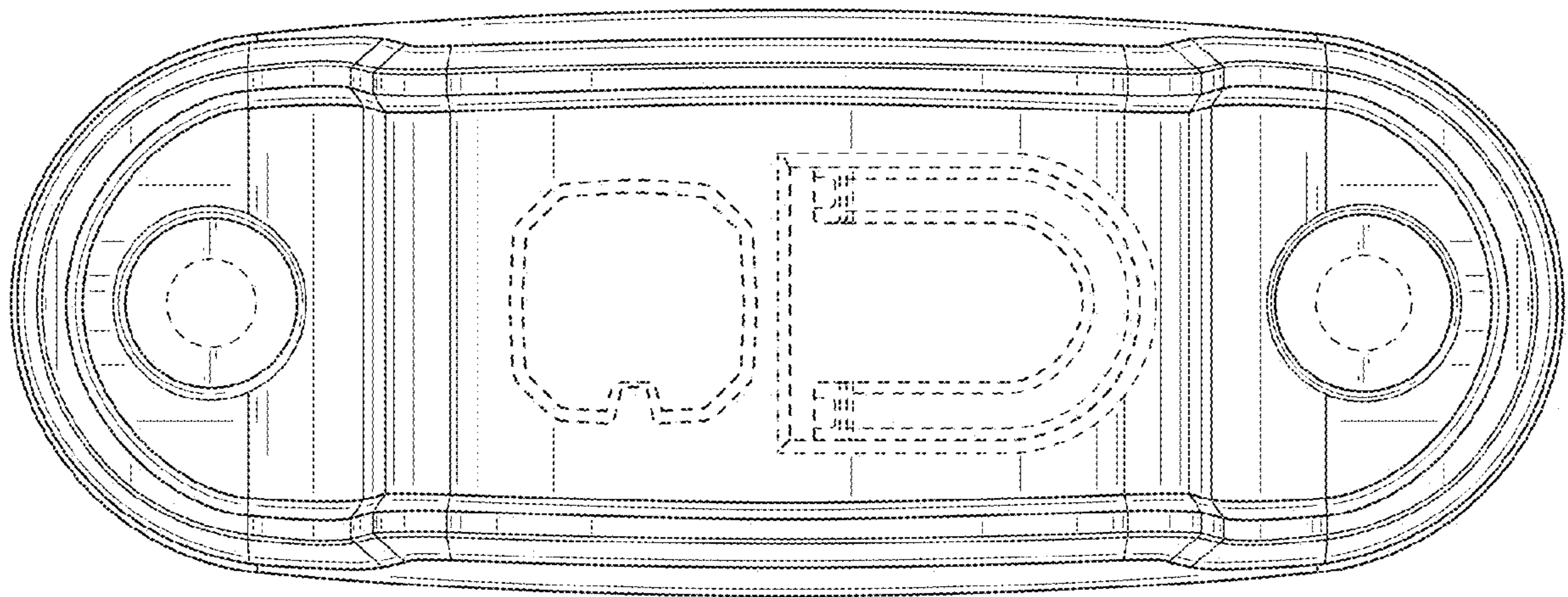


FIG. 6

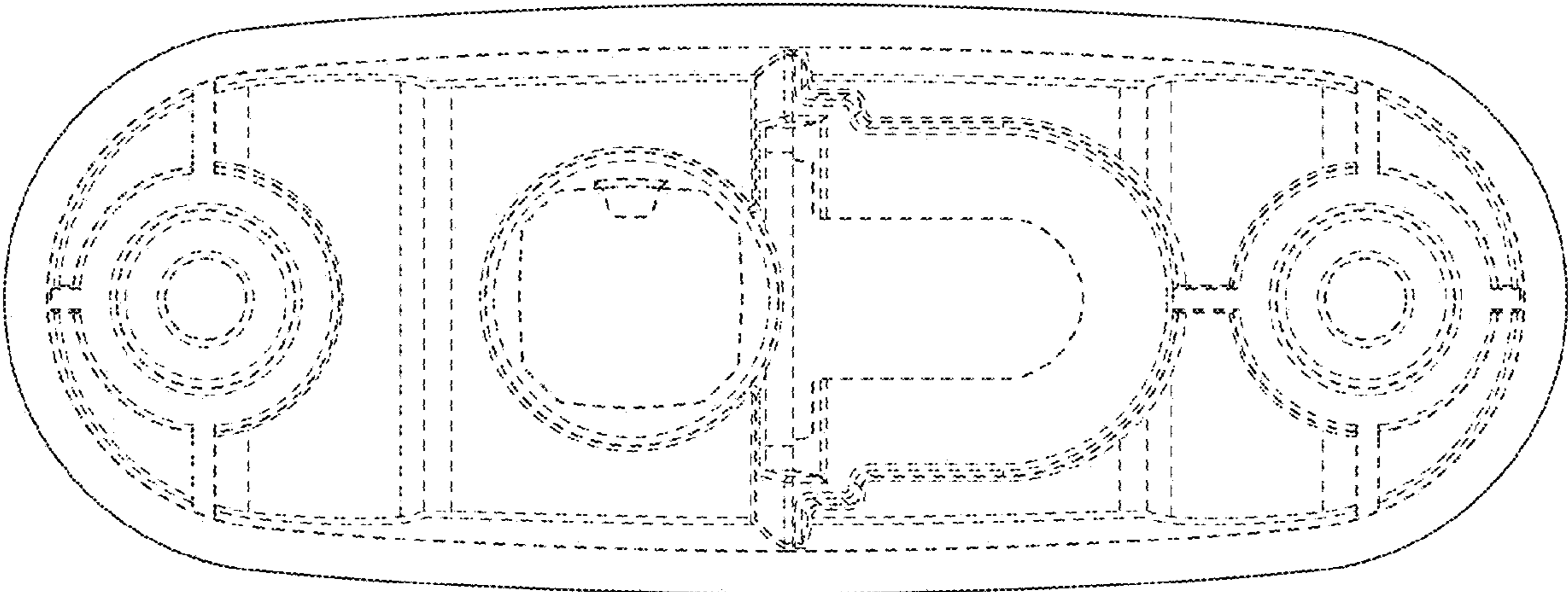


FIG. 7