



US00D938256S

(12) **United States Design Patent**
Kagan

(10) **Patent No.:** **US D938,256 S**

(45) **Date of Patent:** **** Dec. 14, 2021**

- (54) **CABINET DOOR LOCKING DEVICE**
- (71) Applicant: **Keter Plastic Ltd., Herzliya (IL)**
- (72) Inventor: **Ishay Kagan, Yokneam (IL)**
- (73) Assignee: **Keter Plastic Ltd., Herzliya (IL)**
- (**) Term: **15 Years**
- (21) Appl. No.: **29/631,986**
- (22) Filed: **Jan. 4, 2018**
- (30) **Foreign Application Priority Data**
Jul. 9, 2017 (IL) 60616
- (51) **LOC (13) Cl.** **08-07**
- (52) **U.S. Cl.**
USPC **D8/330; D8/343**
CPC **E05B 65/0014 (2013.01)**
- (58) **Field of Classification Search**
USPC D8/330-345; 70/57, 57.1, 14, 20-22, 91,
70/92, 102, 141, 237, 272.2, 278.1, 278.7,
70/279.1, 416, 465, 442, 443, 214, 447;
292/336.3, 301-304, 358, 359
CPC E05B 65/0014; E05B 65/0025; E05B
65/0028; E05B 65/0085; E05B 65/44;
E05B 65/46; E05B 65/461; E05B 65/462;
E05B 65/463; E05B 65/464; E05B
65/466; E05B 65/469; E05B 13/00; A47F
3/00; A47F 3/005; A47F 3/007; A47F
7/024
See application file for complete search history.

(56) **References Cited**
U.S. PATENT DOCUMENTS

- D242,596 S * 12/1976 Munson D8/339
- D261,858 S * 11/1981 Lassiter D8/331

- 4,758,015 A * 7/1988 Pixley B60D 1/04
280/504
- D338,150 S * 8/1993 McLinden D8/331
- D457,113 S * 5/2002 Zapushek D12/162
- D494,840 S * 8/2004 Senn D8/343
- D495,236 S * 8/2004 Gurzenda D8/343
- 7,234,739 B2 * 6/2007 Saitoh E05C 19/163
292/251.5
- D587,558 S * 3/2009 Sarnowski D8/301
- D662,392 S * 6/2012 Main D8/331
- D667,286 S * 9/2012 Wu D8/331
- D832,677 S * 11/2018 Gokcebay D8/331
- D837,034 S * 1/2019 Huang D8/331
- D850,886 S * 6/2019 Huang D8/331
- D851,478 S * 6/2019 Huang D8/331
- D907,454 S * 1/2021 Marsden D8/31
- D907,460 S * 1/2021 Marsden D8/343
- D918,011 S * 5/2021 Sambu D8/331
- 2002/0153732 A1 * 10/2002 O'Brien, II E05B 65/1046
292/93

* cited by examiner

Primary Examiner — Richard E Chilcot
(74) *Attorney, Agent, or Firm* — Vorys, Sater, Seymour
and Pease LLP; William L. Klima

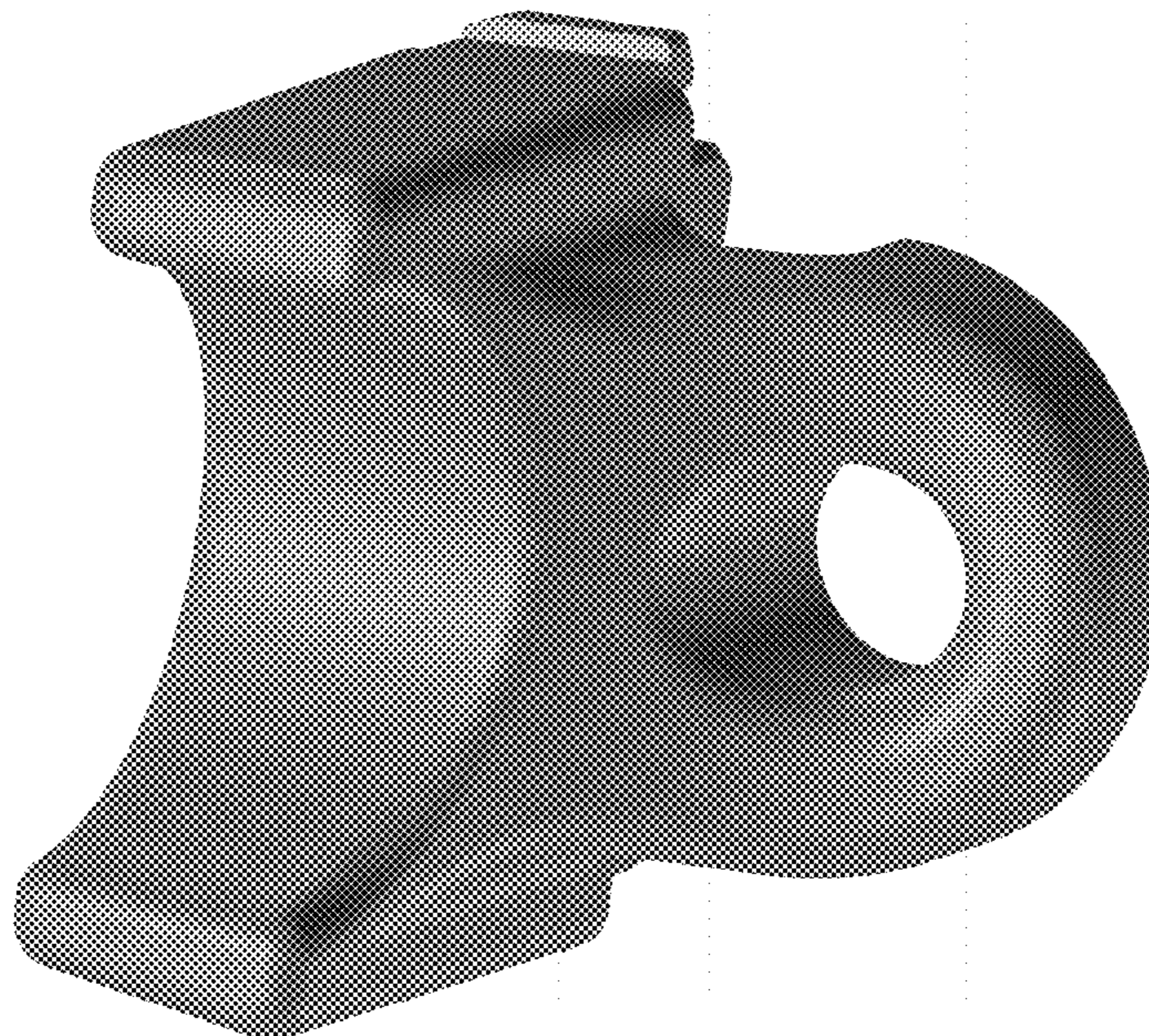
(57) **CLAIM**

The ornamental design for a cabinet door locking device, as shown and described.

DESCRIPTION

FIG. 1 is a perspective view of a design for a cabinet door locking device;
FIG. 2 is a front view of the design seen in FIG. 1;
FIG. 3 is a rear view of the design seen in FIG. 1;
FIG. 4 is a left side view of the design seen in FIG. 1;
FIG. 5 is a right side view of the design seen in FIG. 1;
FIG. 6 is a top view of the design seen in FIG. 1; and,
FIG. 7 is a bottom view of the design seen in FIG. 1.

1 Claim, 7 Drawing Sheets



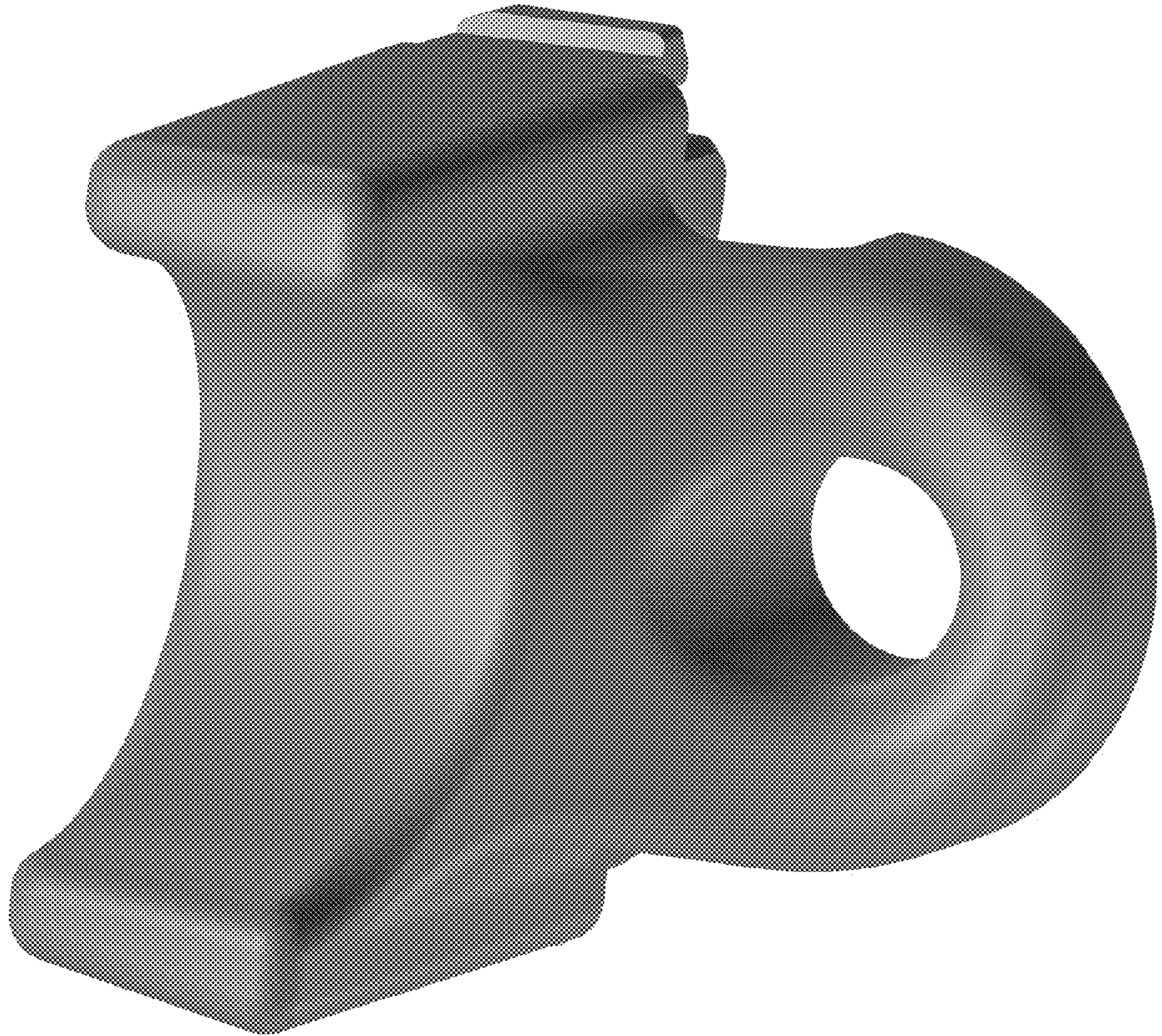


FIG. 1

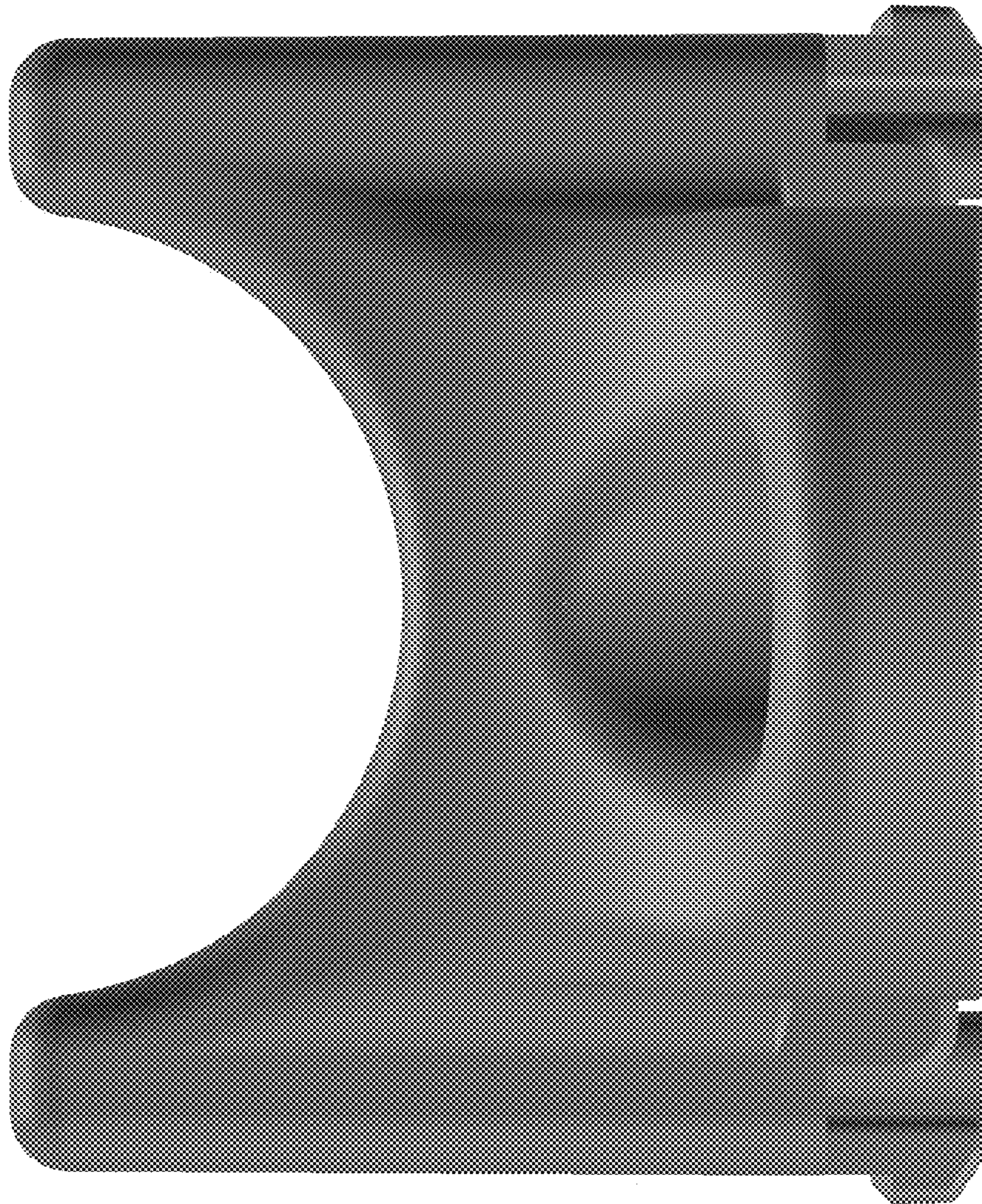


FIG. 2

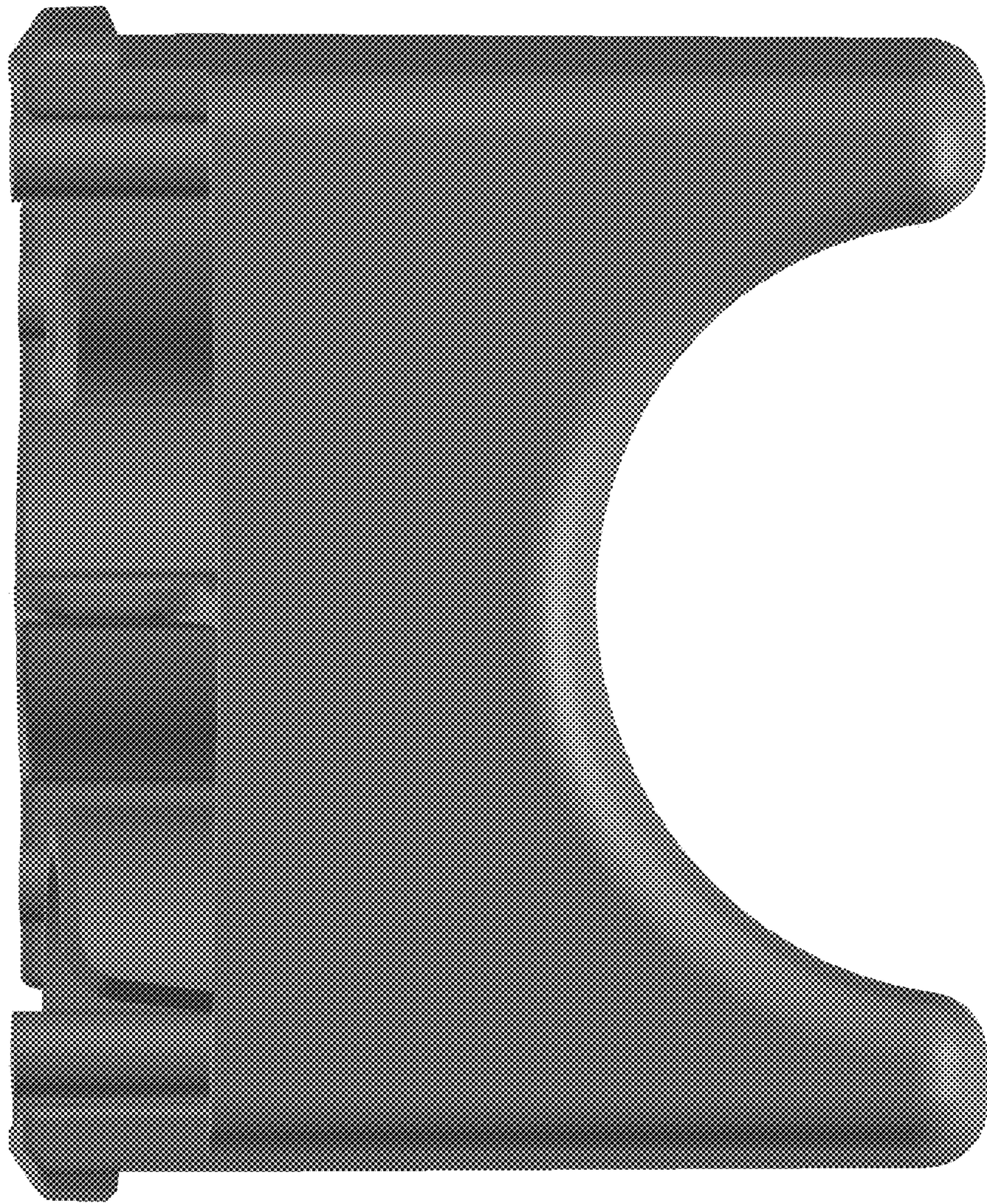


FIG. 3

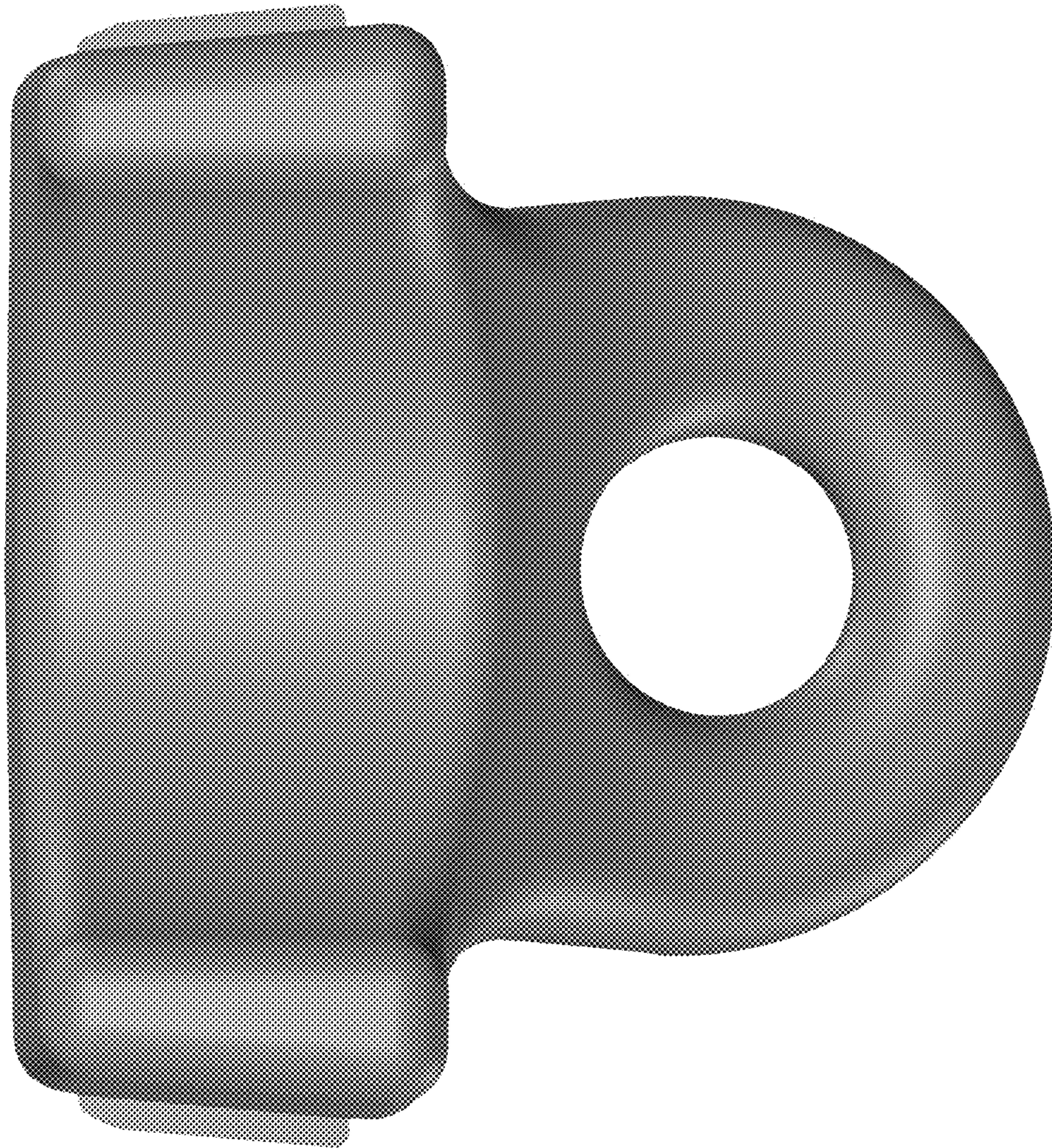


FIG. 4

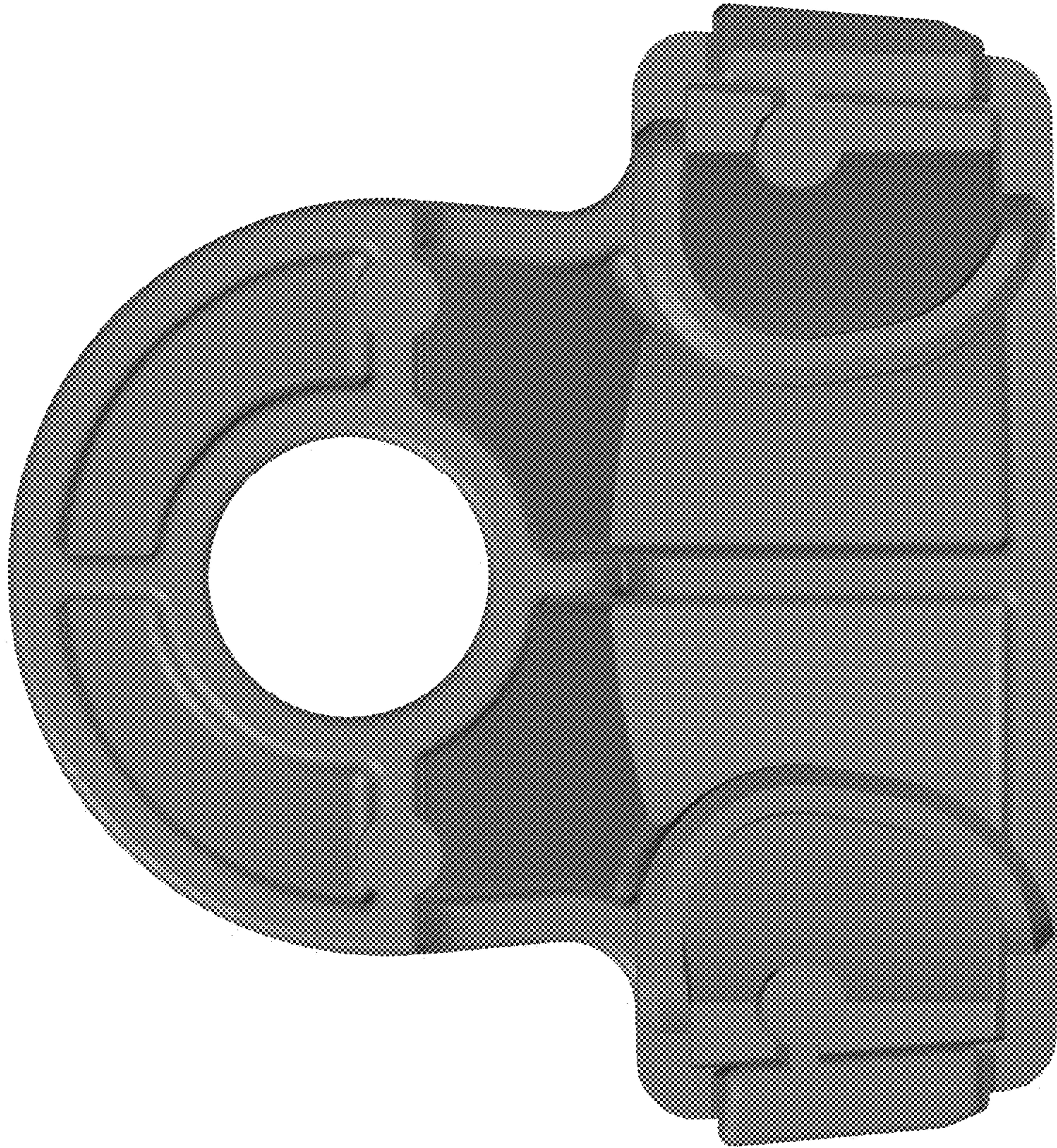


FIG. 5



FIG. 6

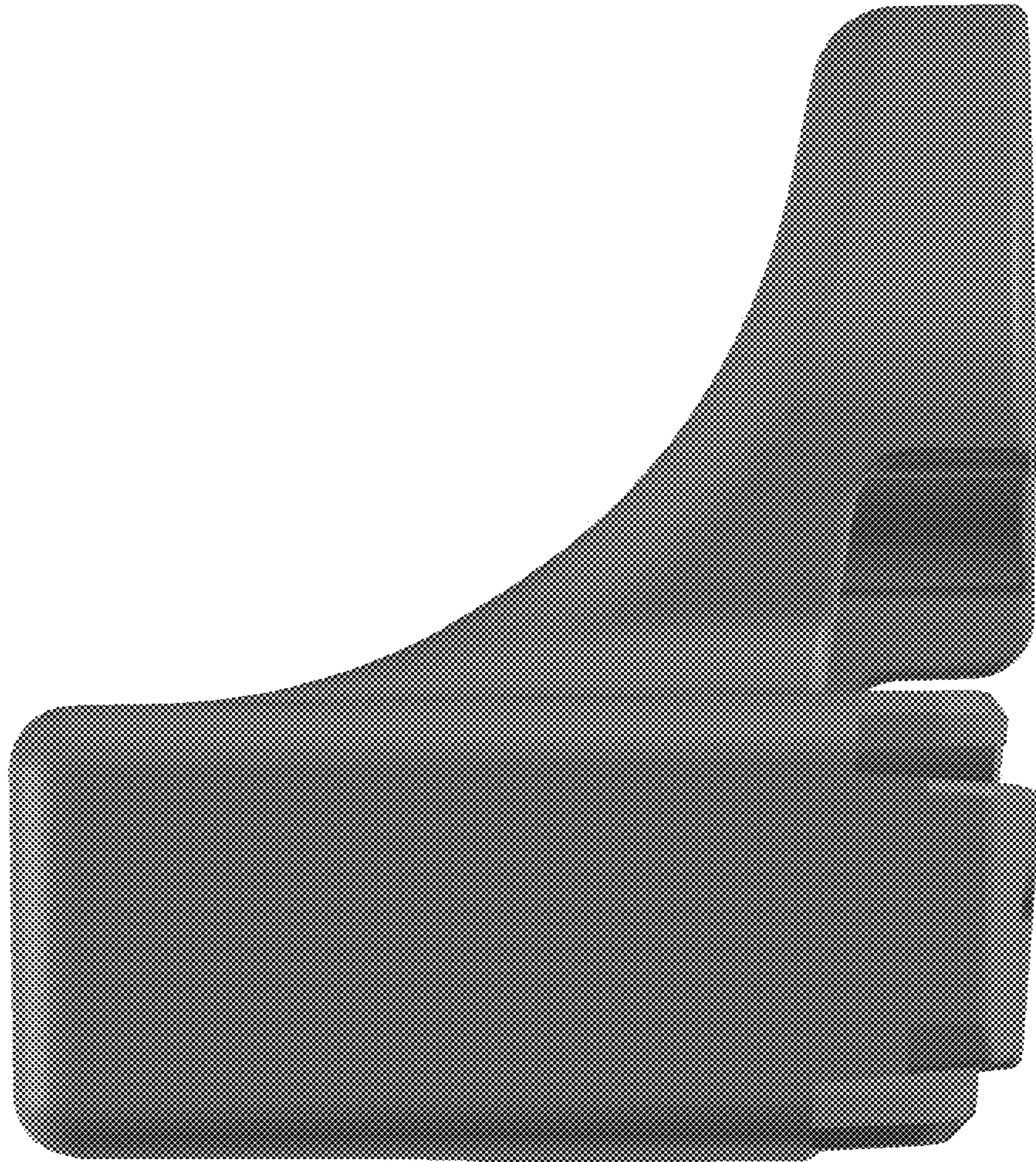


FIG. 7