



US00D938254S

(12) **United States Design Patent**
Ormsbee et al.

(10) **Patent No.:** **US D938,254 S**

(45) **Date of Patent:** **** Dec. 14, 2021**

(54) **KEY TOOL**

(71) Applicant: **Nite Ize, Inc.**, Boulder, CO (US)

(72) Inventors: **Bowden Ormsbee**, Longmont, CO (US); **Dale Karacostas**, Boulder, CO (US)

(73) Assignee: **Nite Ize, Inc.**, Boulder, CO (US)

(**) Term: **15 Years**

(21) Appl. No.: **29/736,048**

(22) Filed: **May 27, 2020**

(51) **LOC (13) Cl.** **08-05**

(52) **U.S. Cl.**
USPC **D8/105**

(58) **Field of Classification Search**
USPC D8/16-19, 105, 84, 85, 87, 356
CPC B25B 13/08; B25B 15/00; B25B 15/007;
B25F 1/00

See application file for complete search history.

(56) **References Cited**

U.S. PATENT DOCUMENTS

D444,685 S *	7/2001	Shenkel	D3/208
D515,903 S *	2/2006	Kelleghan	D8/105
D709,344 S *	7/2014	Adelman	B25B 15/007
				D8/105
D733,516 S *	7/2015	Kelleghan	D8/105
D739,713 S *	9/2015	Kelleghan	D8/356
D758,824 S *	6/2016	Kelleghan	D8/105
D765,495 S *	9/2016	Schmid	D8/356
D768,460 S *	10/2016	Adelman	D8/105

D770,250 S *	11/2016	Fischer	D8/17
D772,029 S *	11/2016	Spater	D8/18
D772,679 S *	11/2016	Hawker	D8/105
D773,274 S *	12/2016	Berman	D8/105
D778,132 S *	2/2017	Fischer	D8/17
D803,657 S *	11/2017	Hawker	D8/105
D807,725 S *	1/2018	Chalfant	D8/105
D808,240 S *	1/2018	Kelleghan	D8/105
D842,069 S *	3/2019	Kao	D8/105
D848,813 S *	5/2019	Kelleghan	D8/105
D878,892 S *	3/2020	Kao	D8/105
D918,692 S *	5/2021	Adelman	D8/105
2016/0167213 A1 *	6/2016	Adelman	B25B 13/08
				7/138

* cited by examiner

Primary Examiner — Janice Hallmark

(74) *Attorney, Agent, or Firm* — Haynes and Boone, LLP

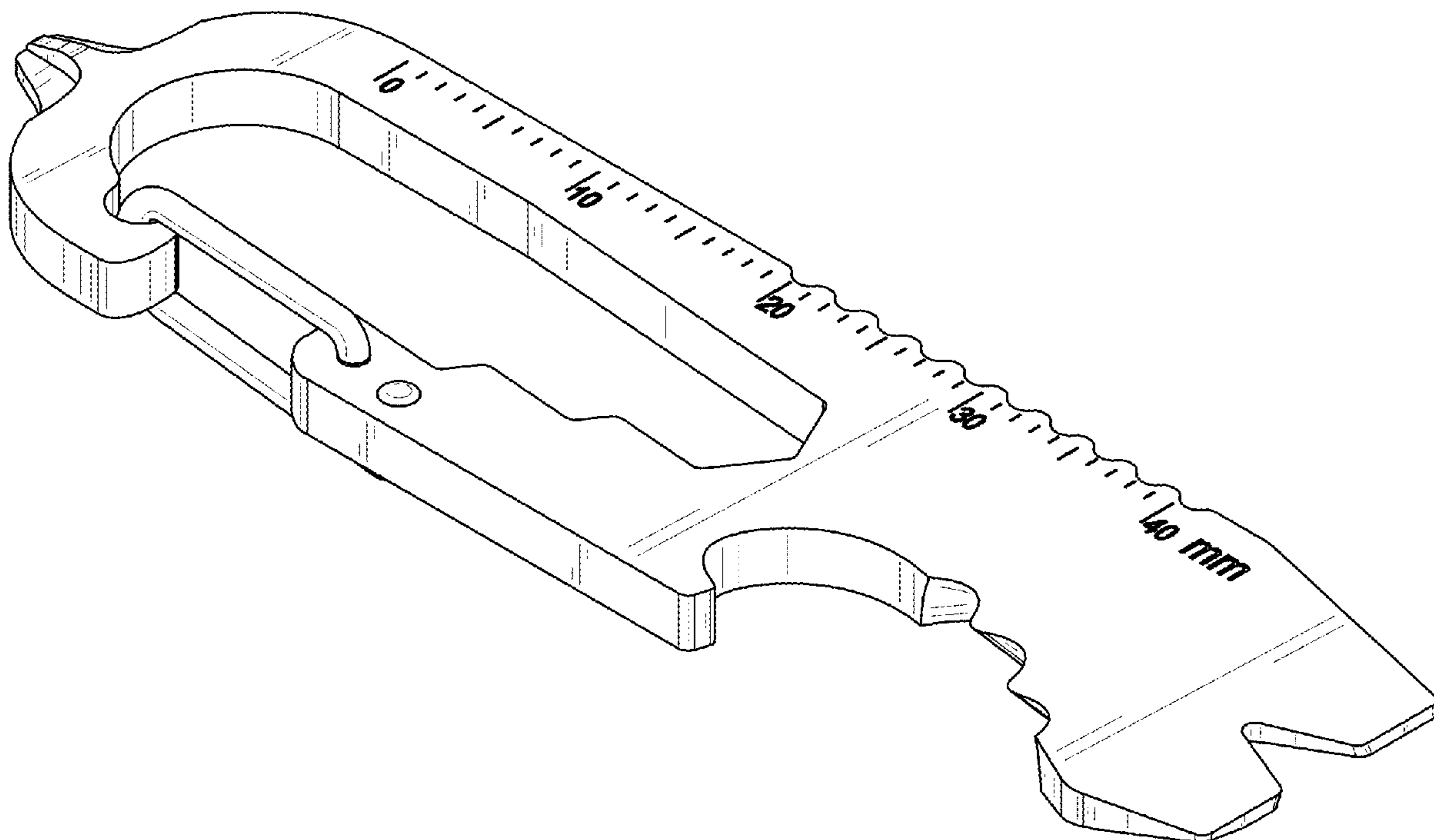
(57) **CLAIM**

The ornamental design for the key tool, as shown and described.

DESCRIPTION

FIG. 1 shows a front perspective view of a key tool; FIG. 2 shows a front view of the key tool of FIG. 1; FIG. 3 shows a rear view of the key tool of FIG. 1; FIG. 4 shows a left side view of the key tool of FIG. 1; FIG. 5 shows a right side view of the key tool of FIG. 1; FIG. 6 shows a top view of the key tool of FIG. 1; and, FIG. 7 shows a bottom view of the key tool of FIG. 1. The broken lines showing surface indicia in FIG. 3 are for the purposes of illustrating environmental subject matter only and form no part of the claimed design.

1 Claim, 5 Drawing Sheets



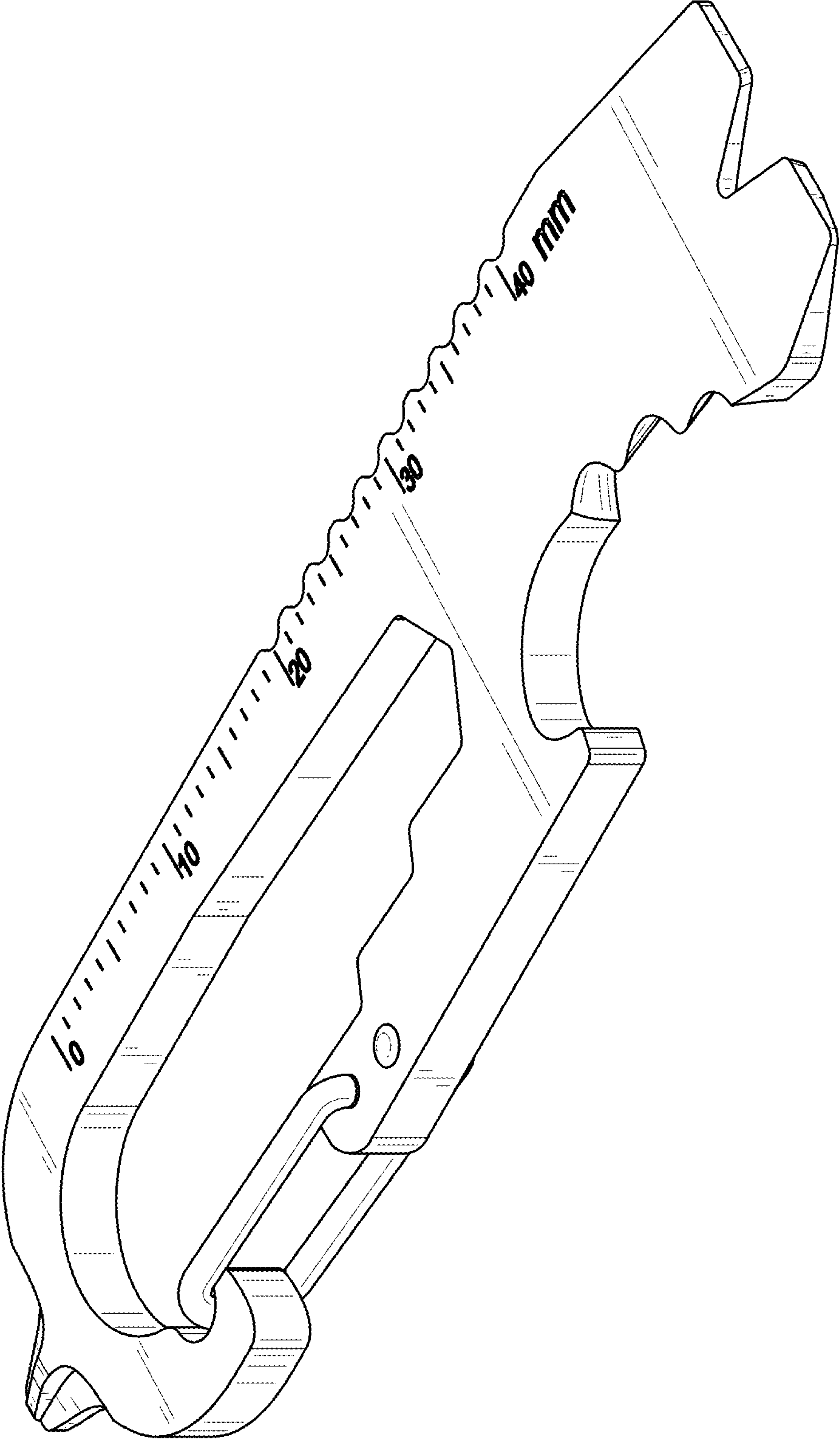


FIG. 1

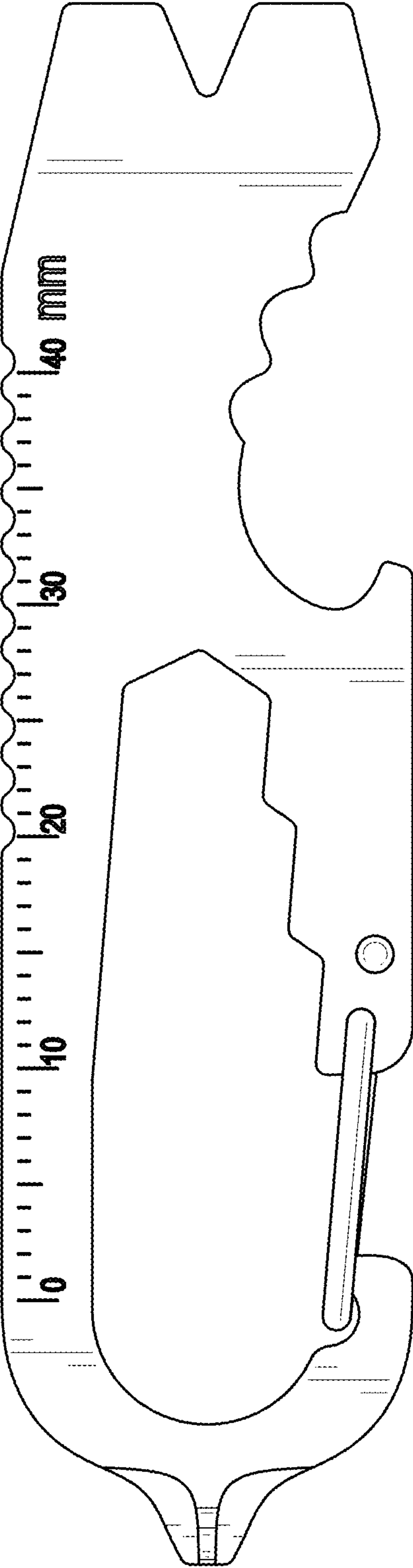


FIG. 2

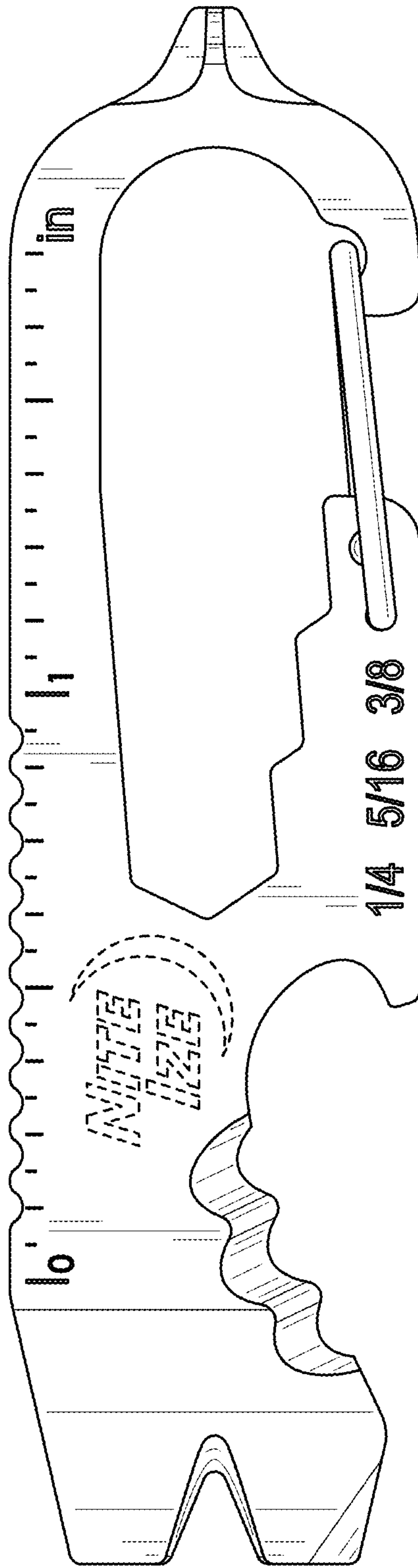


FIG. 3

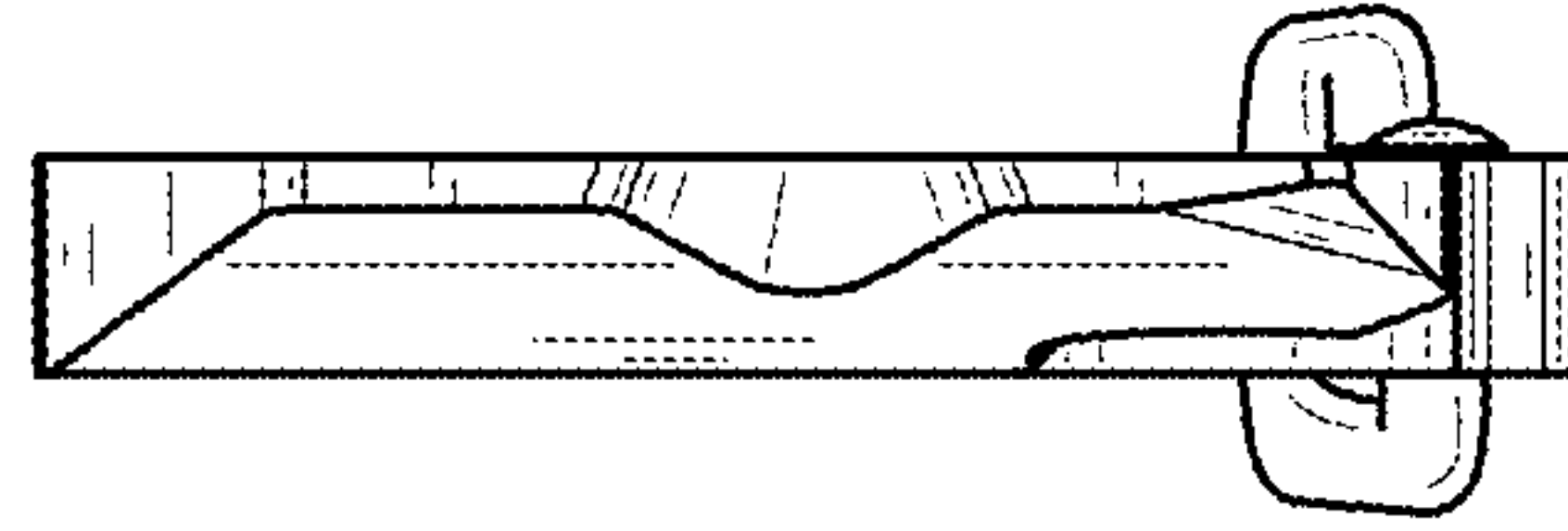


FIG. 5

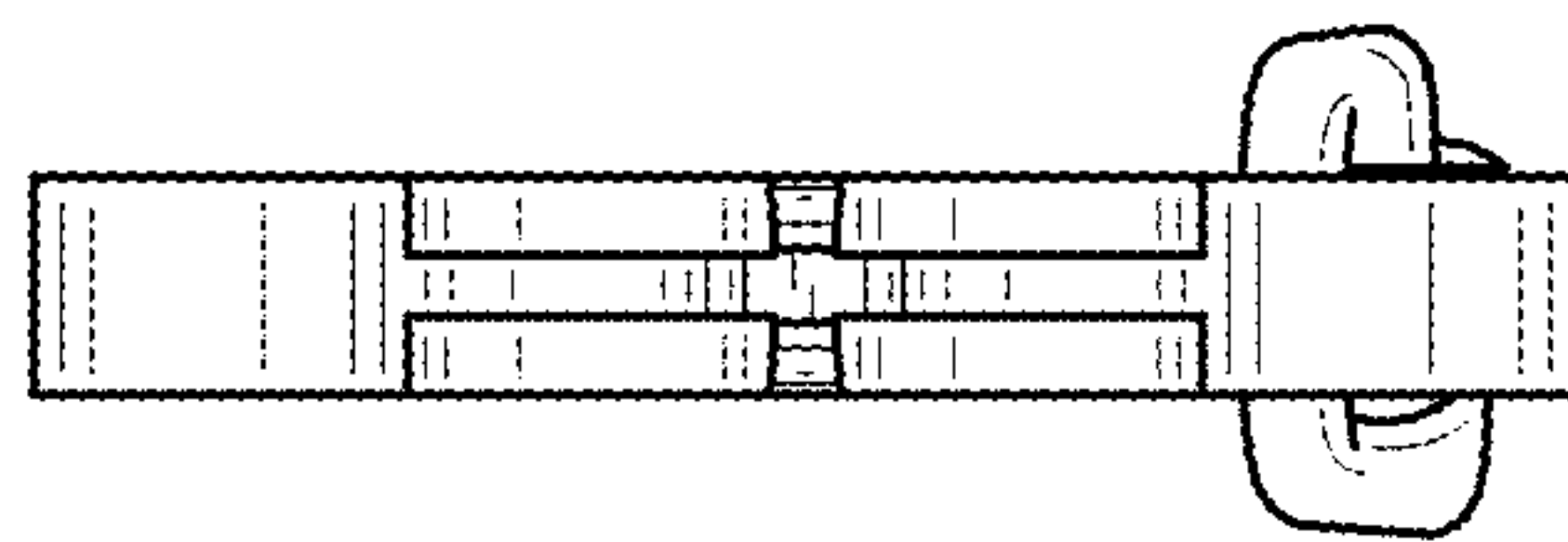


FIG. 4

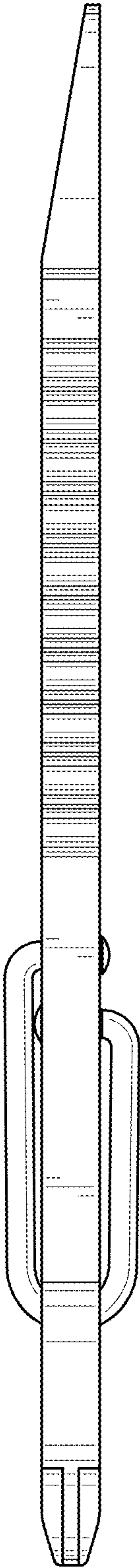


FIG. 6

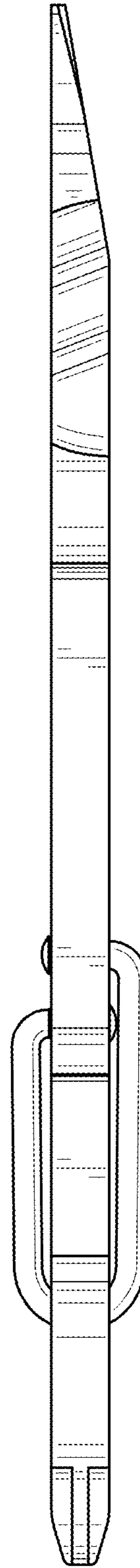


FIG. 7