



US00D938252S

(12) **United States Design Patent**
Medhurst

(10) **Patent No.:** **US D938,252 S**
(45) **Date of Patent:** **** Dec. 14, 2021**

(54) **UTILITY KNIFE**

(71) Applicant: **Simon Medhurst**, Burlington (CA)

(72) Inventor: **Simon Medhurst**, Burlington (CA)

(**) Term: **15 Years**

(21) Appl. No.: **29/745,141**

(22) Filed: **Aug. 4, 2020**

(51) **LOC (13) Cl.** **08-03**

(52) **U.S. Cl.**
USPC **D8/99**

(58) **Field of Classification Search**
USPC D8/98, 99, 100, 105, 107
(Continued)

(56) **References Cited**

U.S. PATENT DOCUMENTS

5,737,841 A * 4/1998 McHenry B26B 1/048
30/160
6,354,007 B1 * 3/2002 Scarla B26B 1/02
30/156

(Continued)

Primary Examiner — Philip S Hyder

(74) *Attorney, Agent, or Firm* — Patrick J. Hofbauer

(57) **CLAIM**

The ornamental design for a utility knife, as shown and described.

DESCRIPTION

FIG. 1 is a front perspective view from the top right of a utility knife showing my new design in its closed configuration.

FIG. 2 is a rear perspective view showing the design of FIG. 1 rotated vertically through 180 degrees and horizontally though 90 degrees;

FIG. 3 is a left side edge elevational view of the design of FIG. 1;

FIG. 4 is a right side edge elevational view of the design of FIG. 1;

FIG. 5 is a front elevational view of the design of FIG. 1;

FIG. 6 is a rear elevational view of the design of FIG. 1;

FIG. 7 is a top plan view of the design of FIG. 1;

FIG. 8 is a bottom plan view of the design of FIG. 1.

FIG. 9 is a front perspective view from the top right of the utility knife of FIG. 1 showing my new design in its first in-use configuration;

FIG. 10 is a rear perspective view showing the design of FIG. 9 rotated vertically through 180 degrees and horizontally though 90 degrees;

FIG. 11 is a left side edge elevational view of the design of FIG. 9;

FIG. 12 is a right side edge elevational view of the design of FIG. 9;

FIG. 13 is a front elevational view of the design of FIG. 9;

FIG. 14 is a rear elevational view of the design of FIG. 9;

FIG. 15 is a top plan view of the design of FIG. 9;

FIG. 16 is a is a bottom plan view of the design of FIG. 9;

FIG. 17 is a front perspective view from the top right of the utility knife of FIG. 1 showing my new design in its second in-use configuration;

FIG. 18 is a rear perspective view showing the design of FIG. 17 rotated vertically through 180 degrees and horizontally though 90 degrees

FIG. 19 is a left side edge elevational view of the design of FIG. 17;

FIG. 20 is a right side edge elevational view of the design of FIG. 17;

FIG. 21 is a front elevational view of the design of FIG. 17;

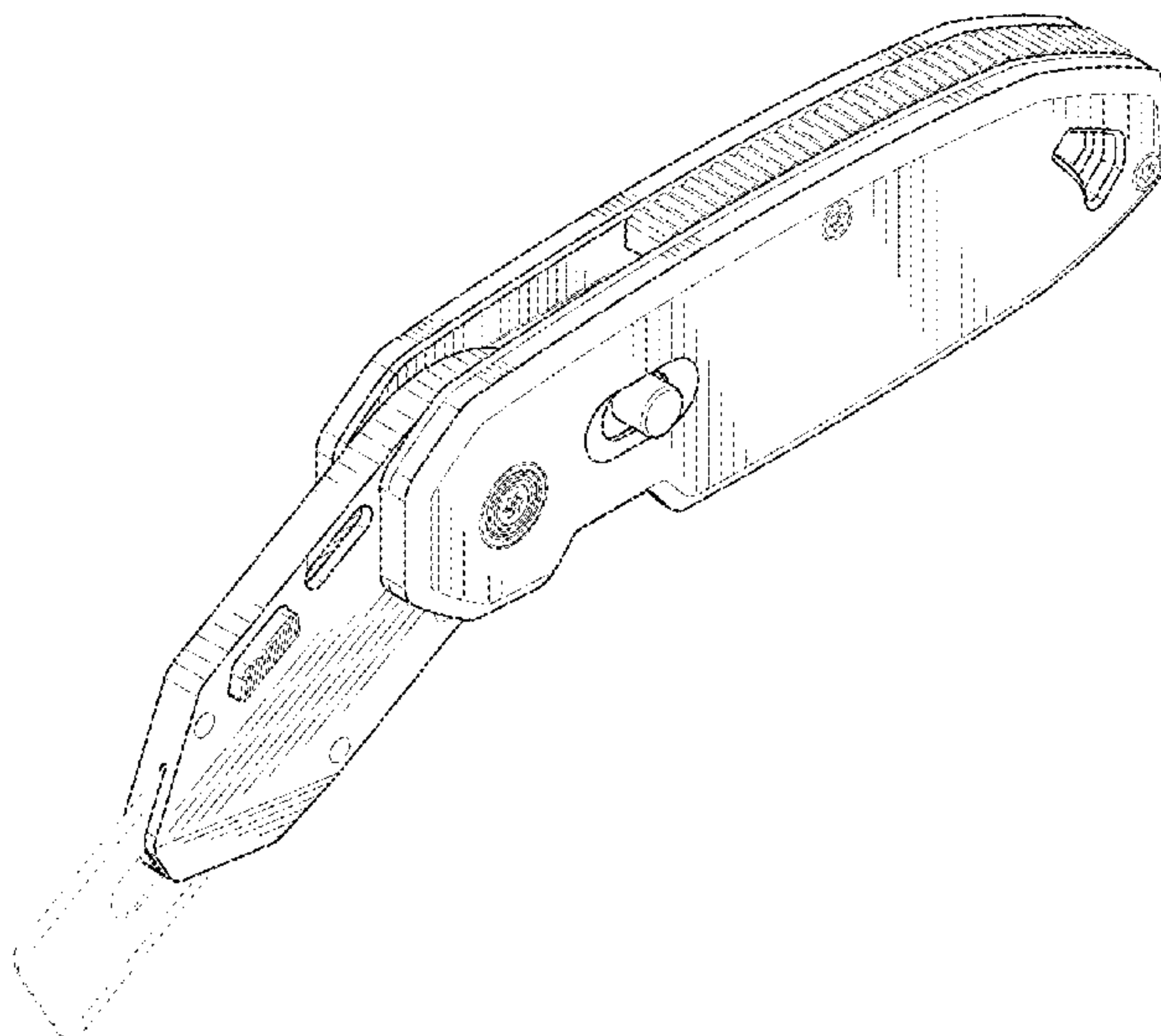
FIG. 22 is a rear elevational view of the design of FIG. 10

FIG. 23 is a top plan view of the design of FIG. 17; and,

FIG. 24 is a bottom plan view of the design of FIG. 17.

The broken lines shown in the drawings depict a removable cutting blade that forms no part of the claimed design.

1 Claim, 13 Drawing Sheets



(58) **Field of Classification Search**

CPC B26B 5/001; B26B 5/003; B26B 11/00;
B26B 1/08; B26B 1/02; B26B 1/10;
B26B 1/04; B26B 1/042; B26B 1/044;
B26B 1/048; B26B 3/08; B26B 29/06;
B26B 5/00

See application file for complete search history.

(56) **References Cited**

U.S. PATENT DOCUMENTS

D494,437 S * 8/2004 Scarla D8/99
D501,782 S * 2/2005 Ping D8/99
D519,817 S * 5/2006 Wong D8/99
D543,822 S * 6/2007 Ping B26B 1/042
D8/99
D552,955 S * 10/2007 Ping D8/99
D591,135 S * 4/2009 Wu D8/99
7,552,537 B2 * 6/2009 Ye B26B 1/042
30/155
7,814,664 B2 * 10/2010 LeBlanc B26B 1/042
30/161
8,006,389 B2 * 8/2011 Jennings B26B 5/003
30/162
8,938,883 B2 * 1/2015 Gringer B26B 1/046
30/155
D840,782 S * 2/2019 Lin D8/99
D879,579 S * 3/2020 Di Muro D8/99
D920,762 S * 6/2021 Scimone D8/99
2004/0226173 A1 * 11/2004 Ping B26B 5/00
30/161
2011/0023308 A1 * 2/2011 Ping B26B 1/042
30/161

* cited by examiner

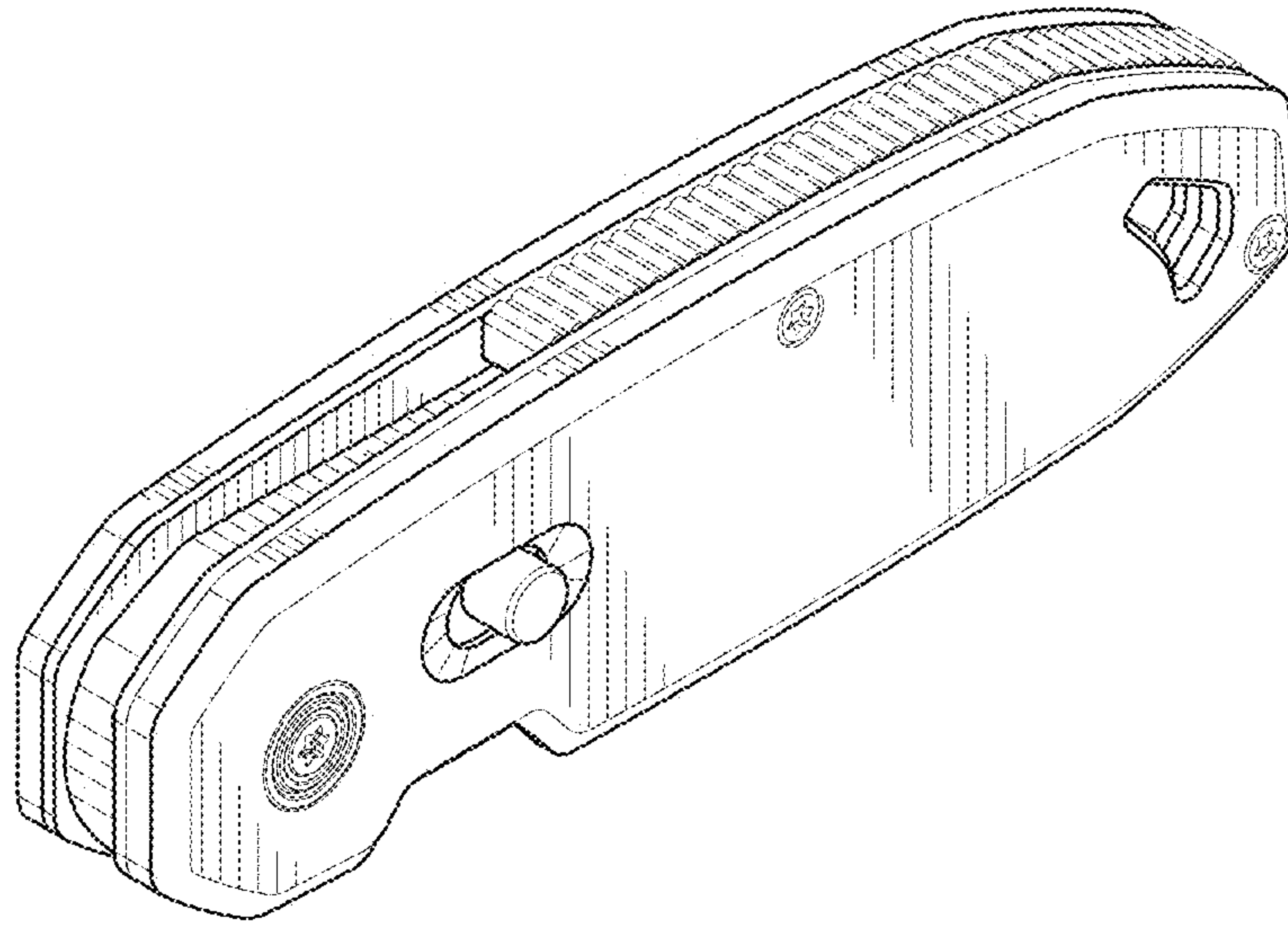


FIG. 1

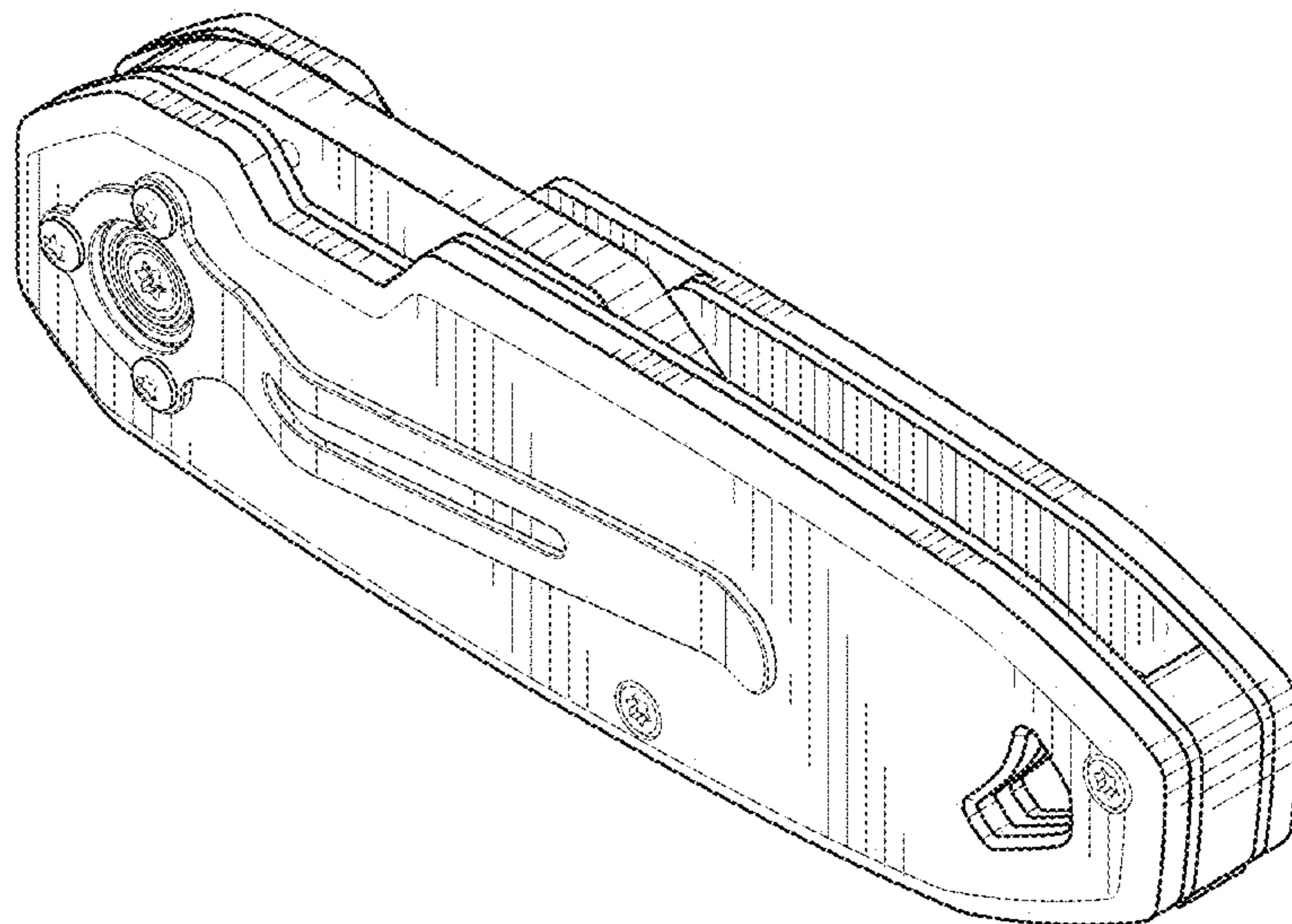


FIG. 2

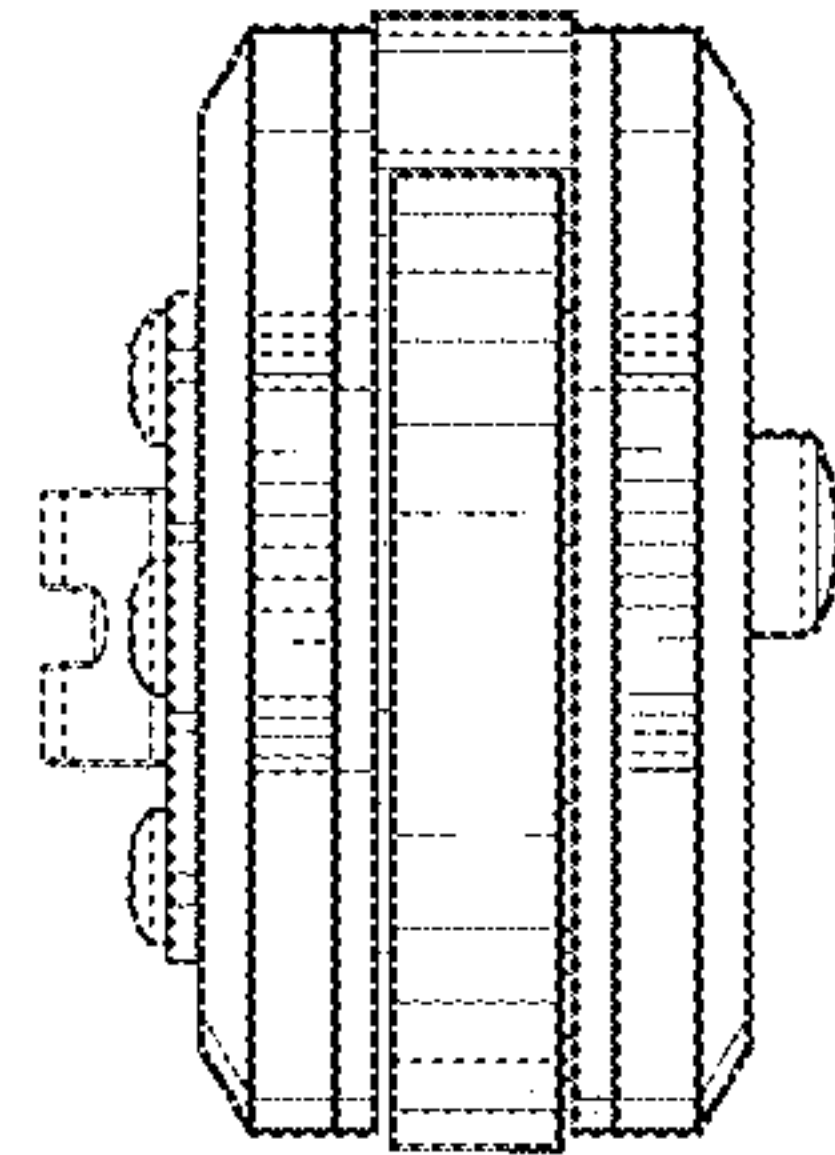


FIG.3

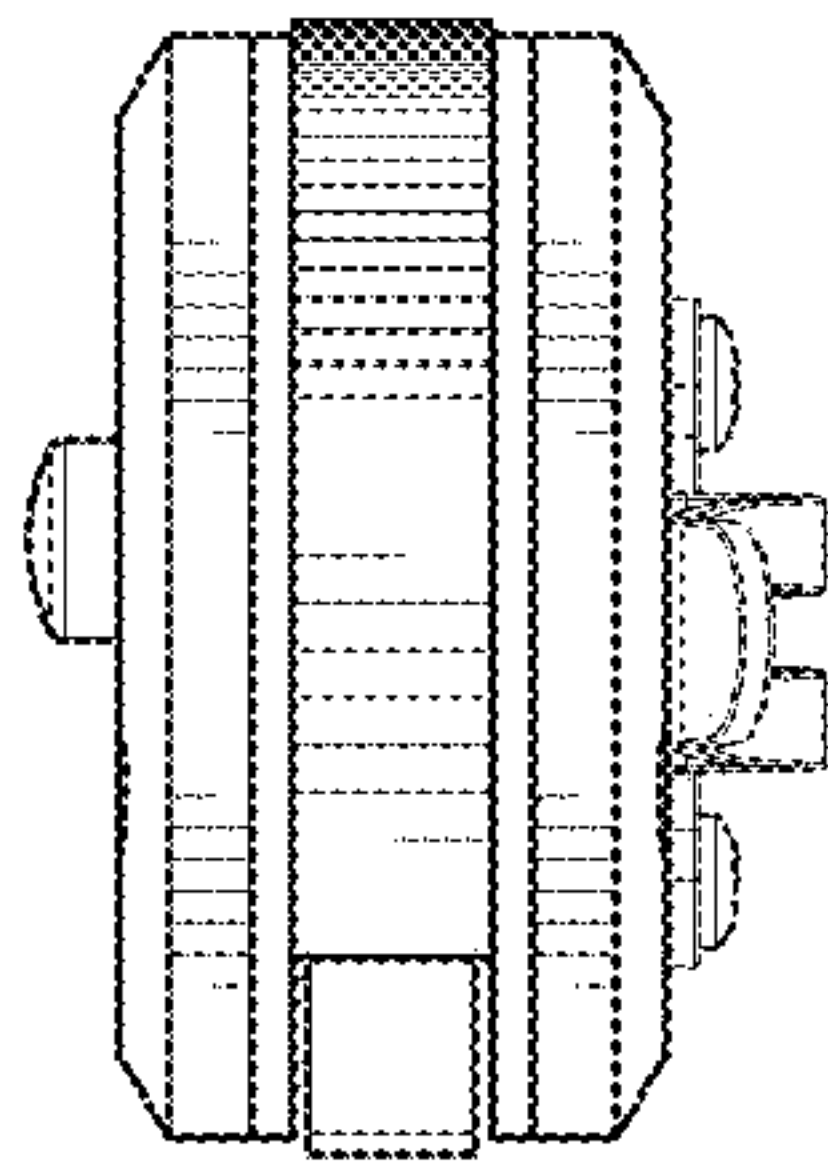


FIG.4

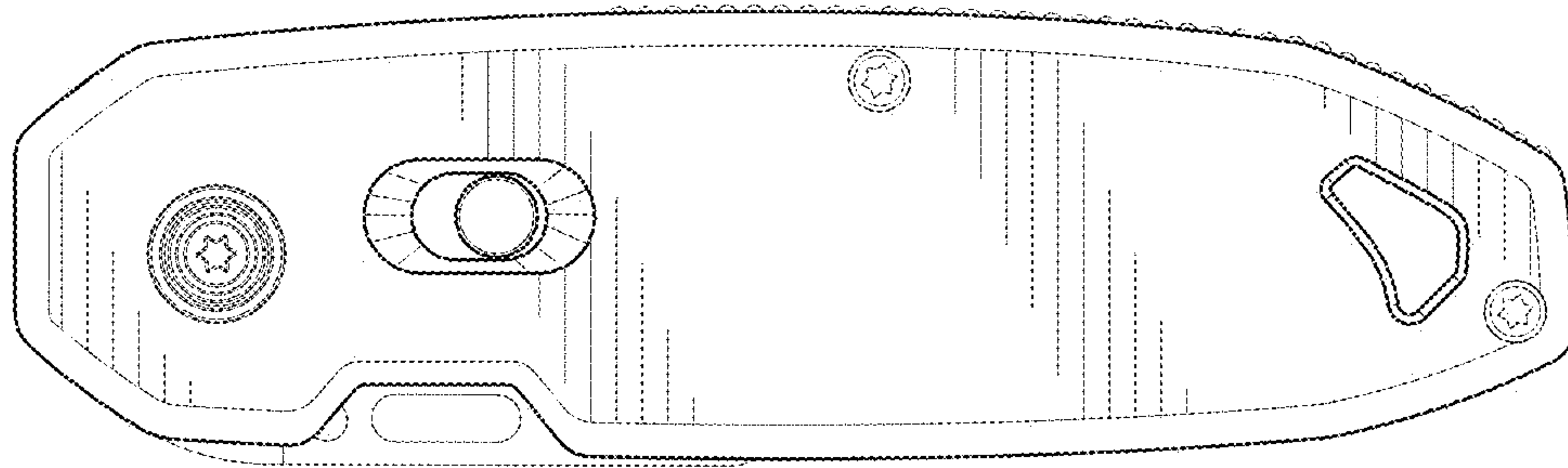


FIG.5

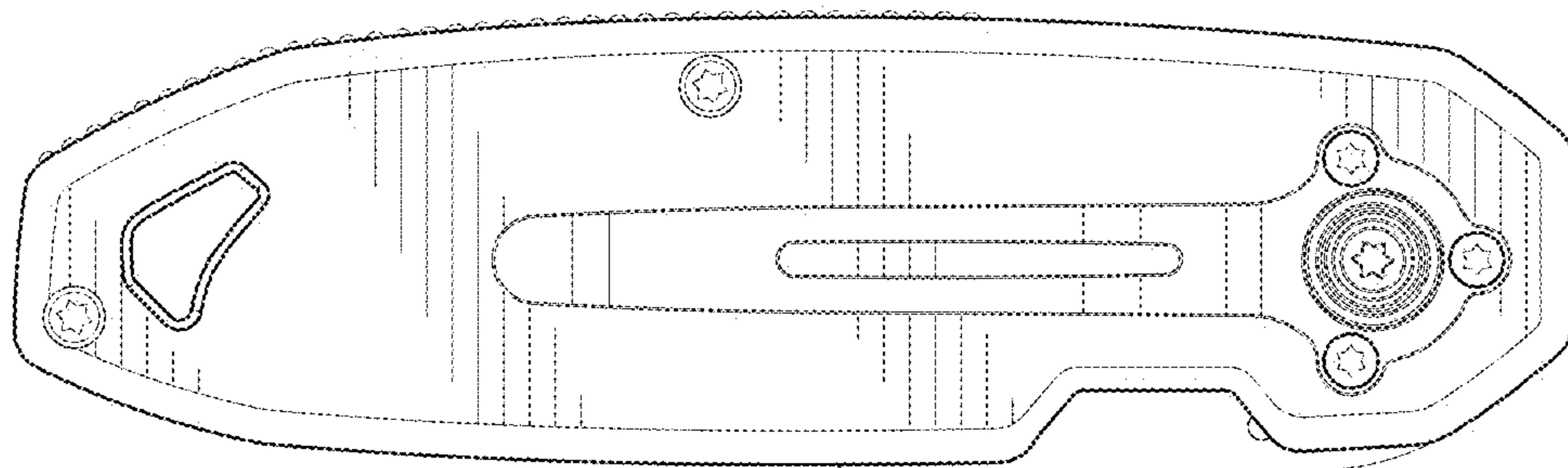


FIG.6

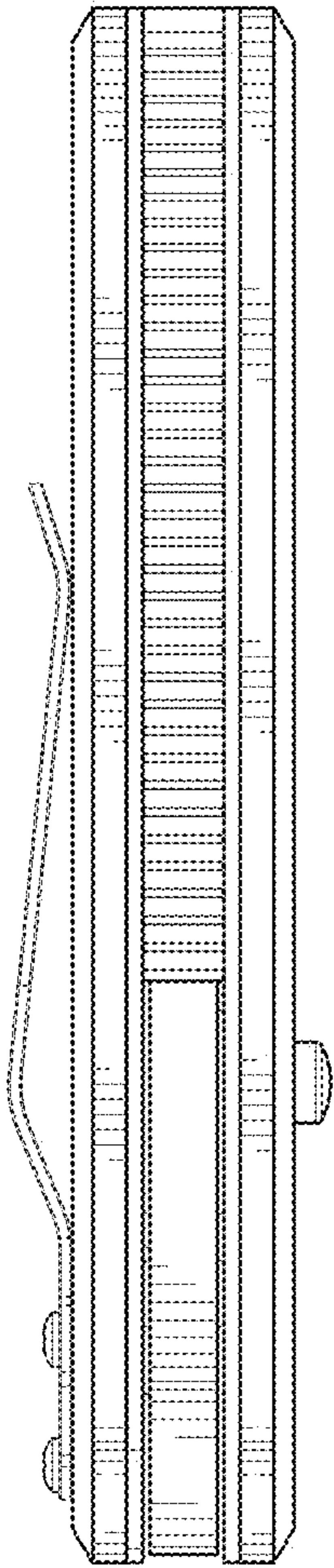


FIG. 7

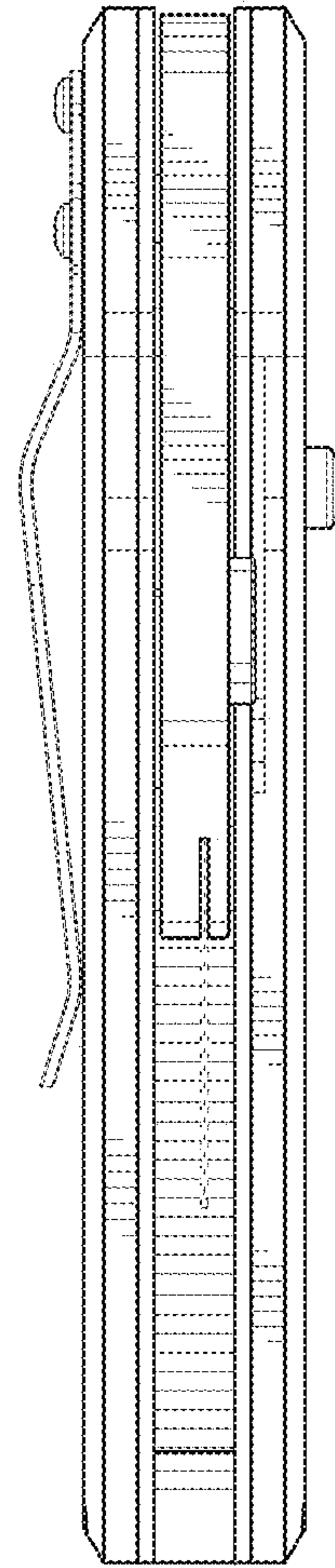


FIG. 8

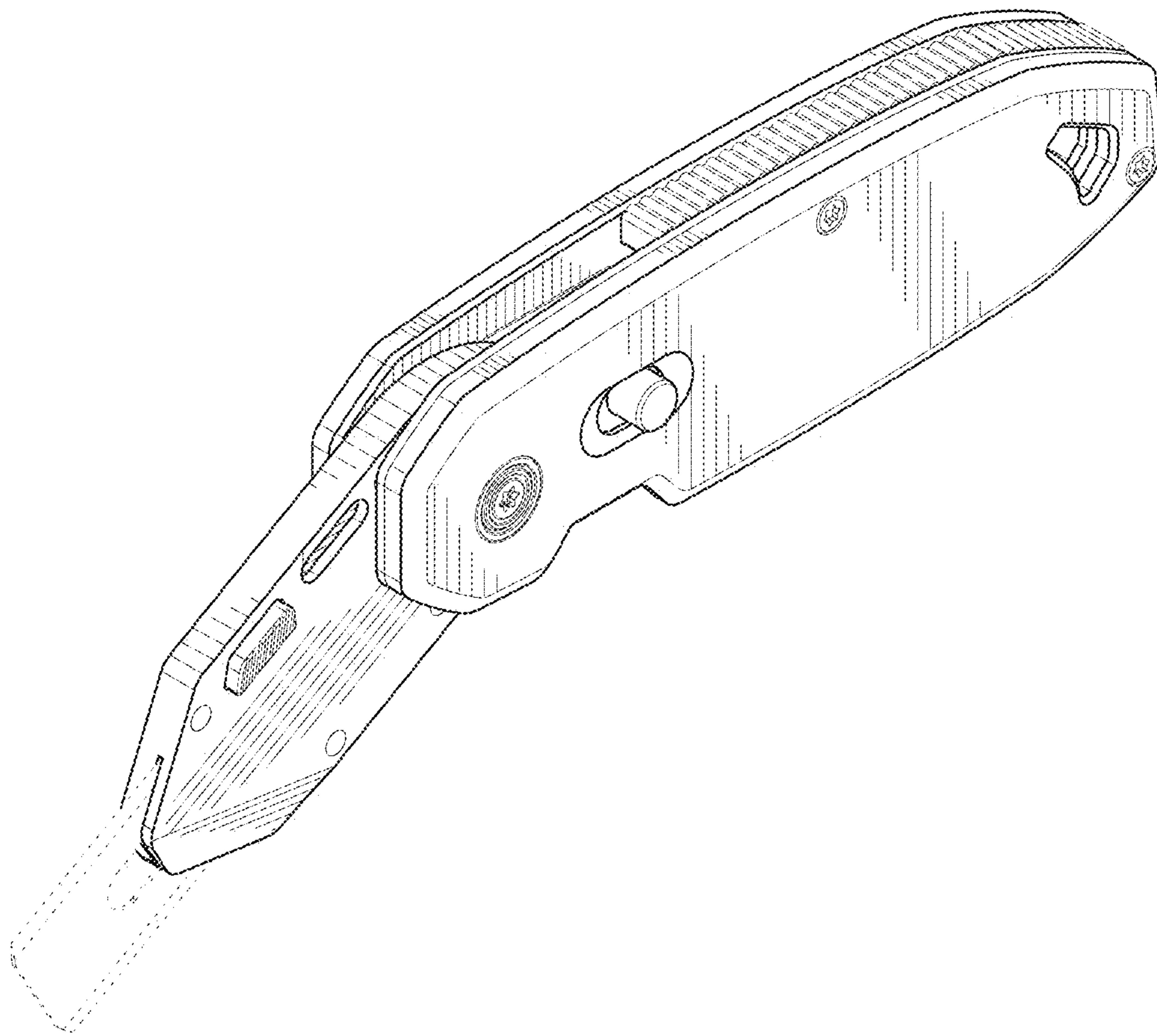


FIG.9

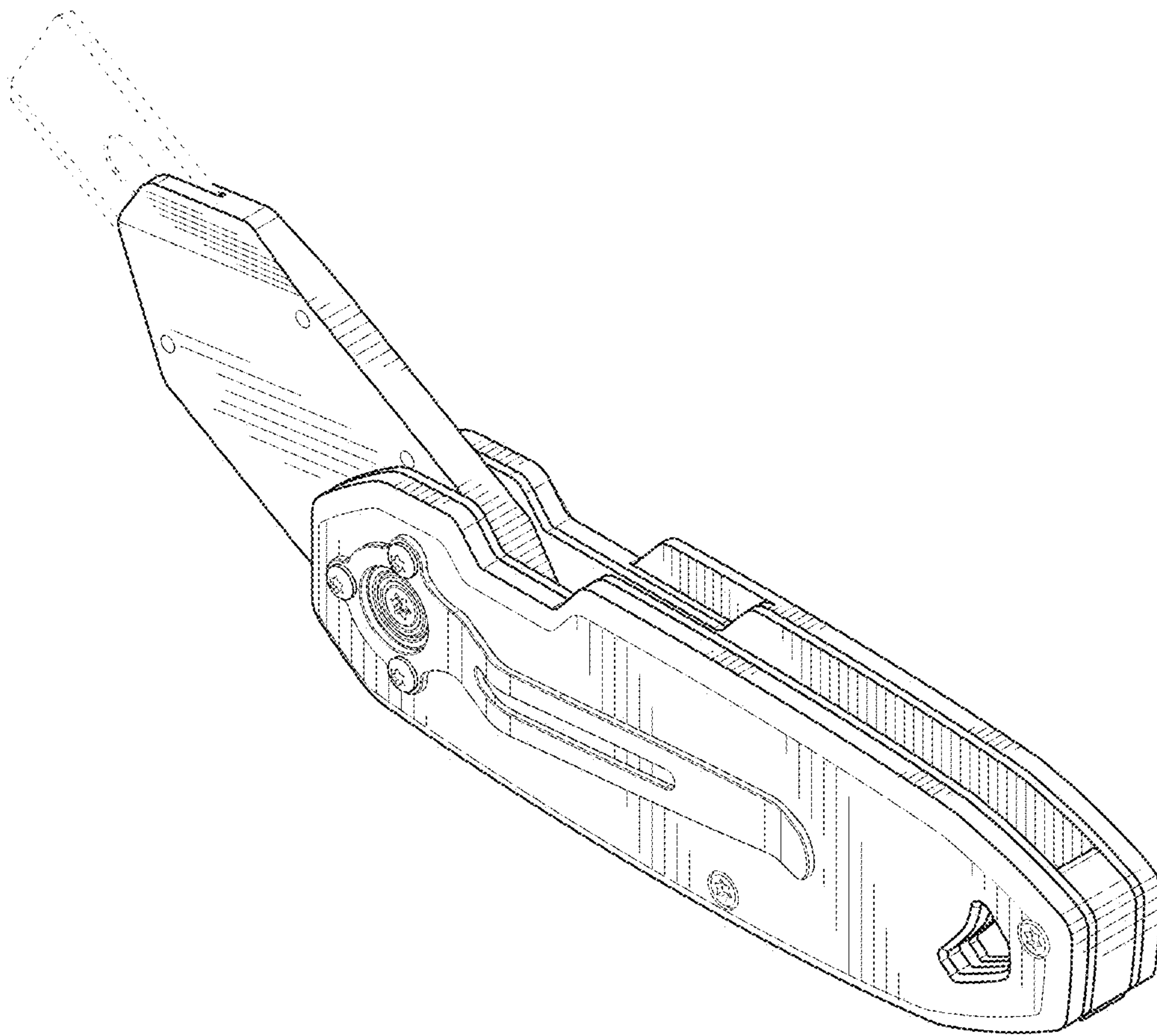


FIG. 10

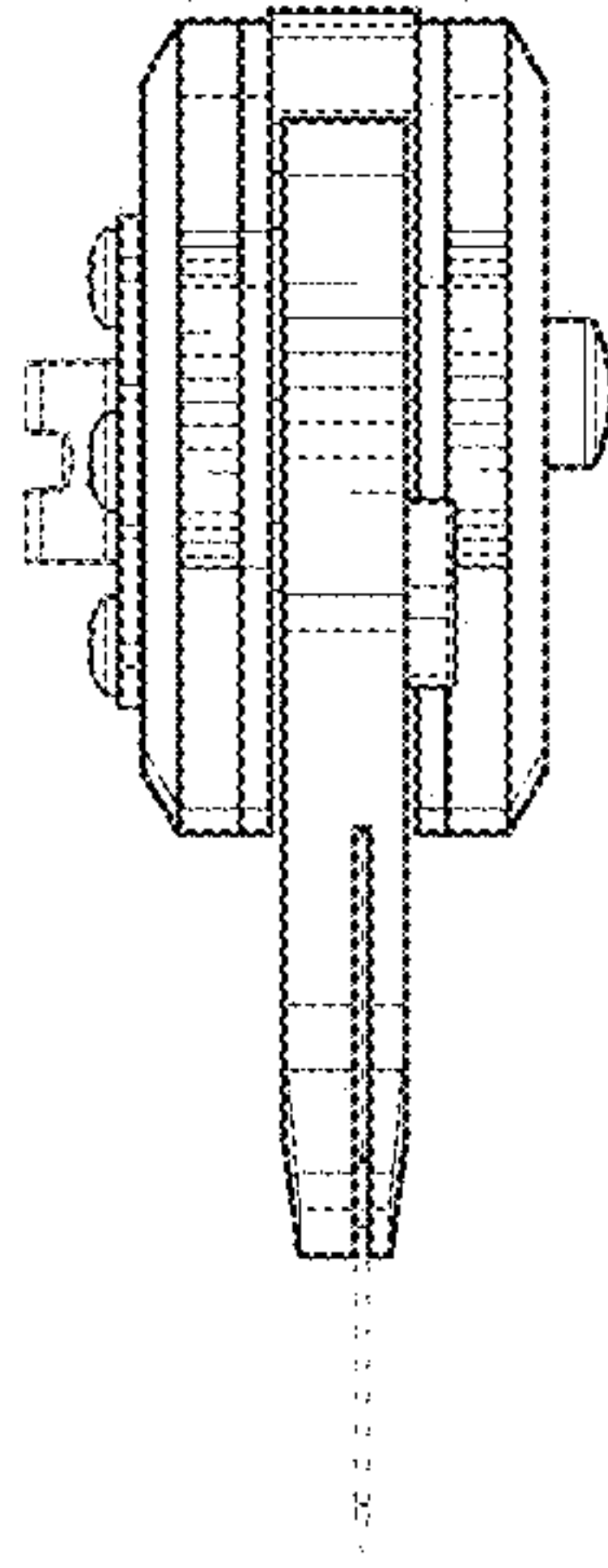


FIG. 11

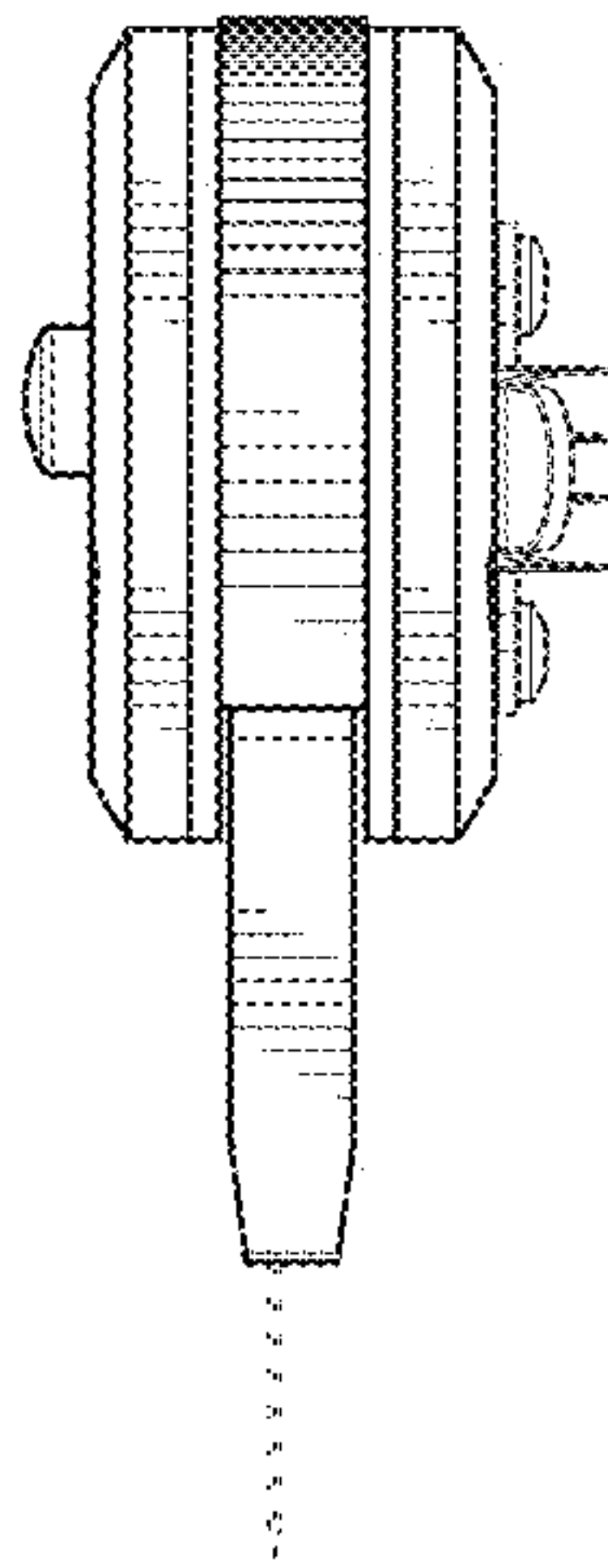


FIG. 12

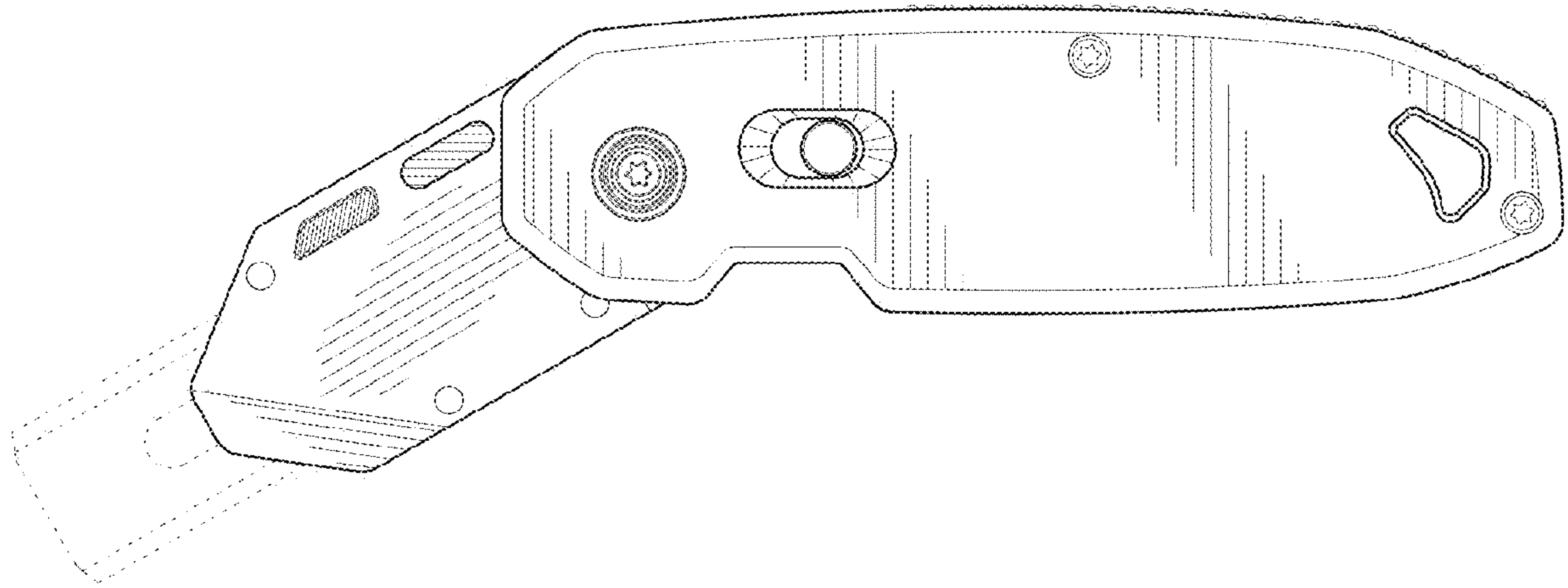


FIG.13

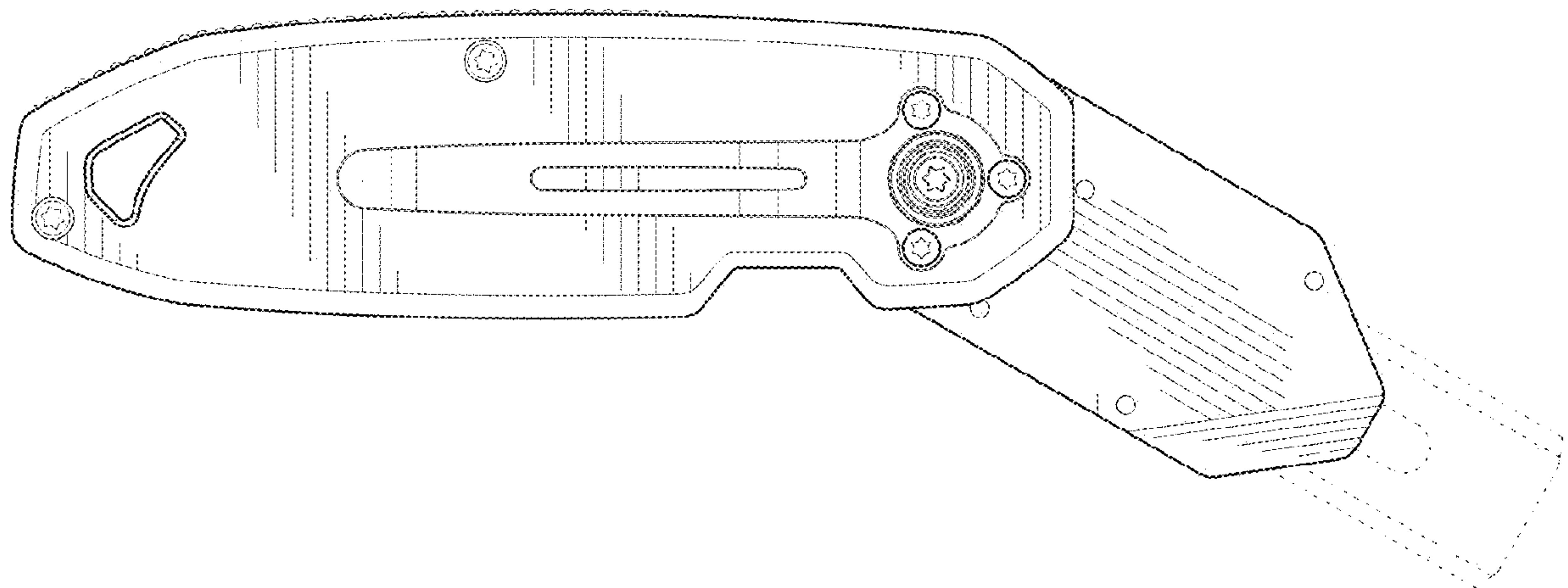


FIG.14

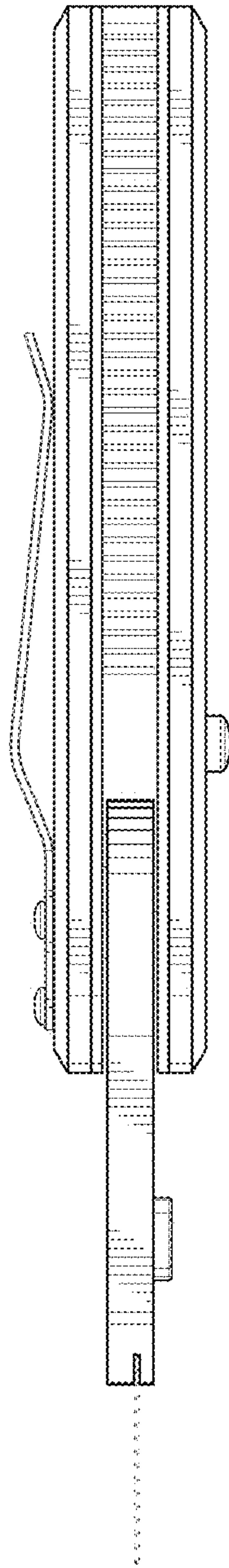


FIG. 15

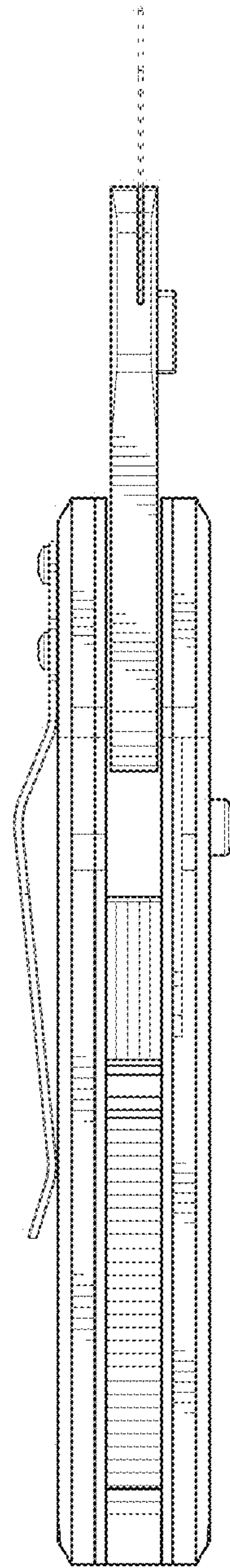


FIG. 16

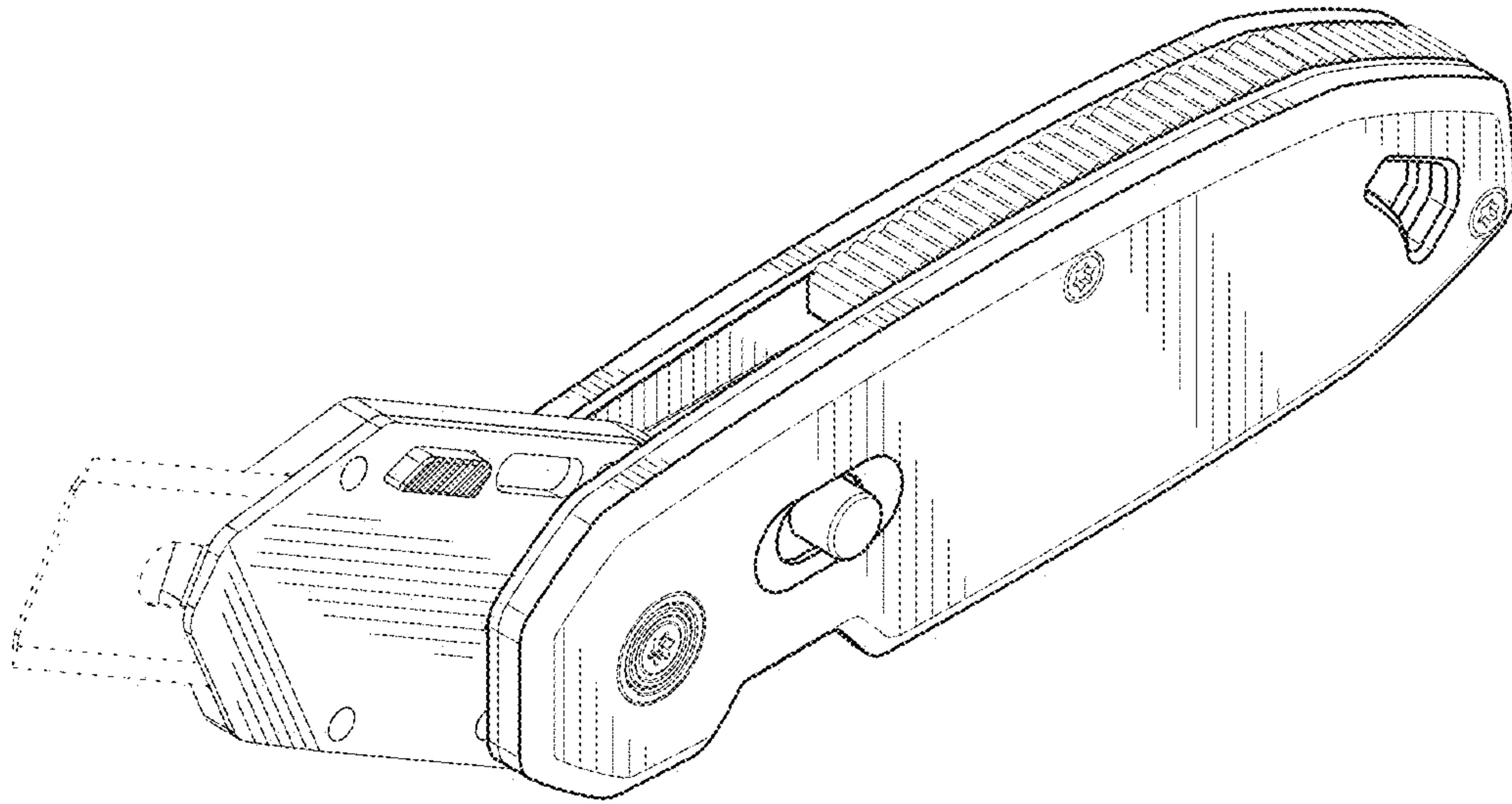


FIG.17

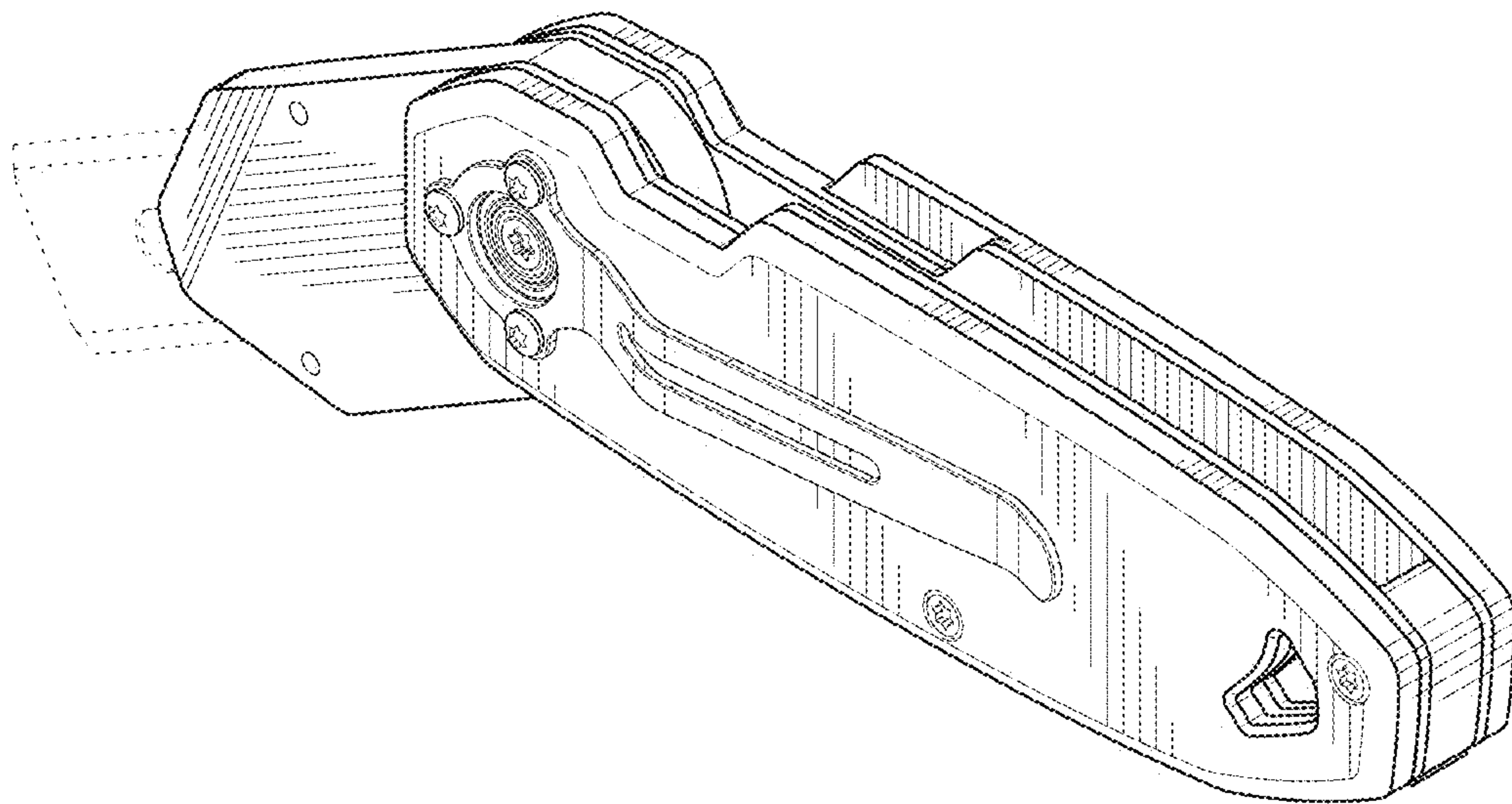


FIG.18

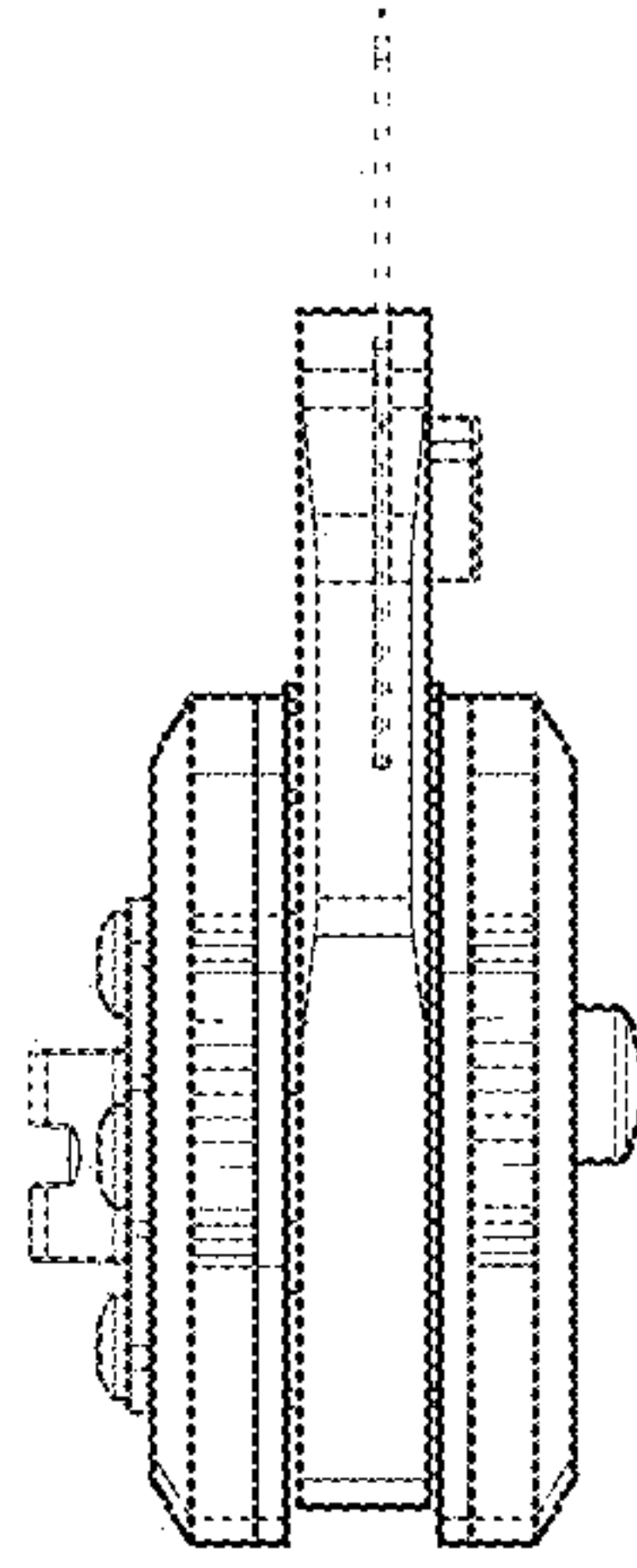


FIG. 19

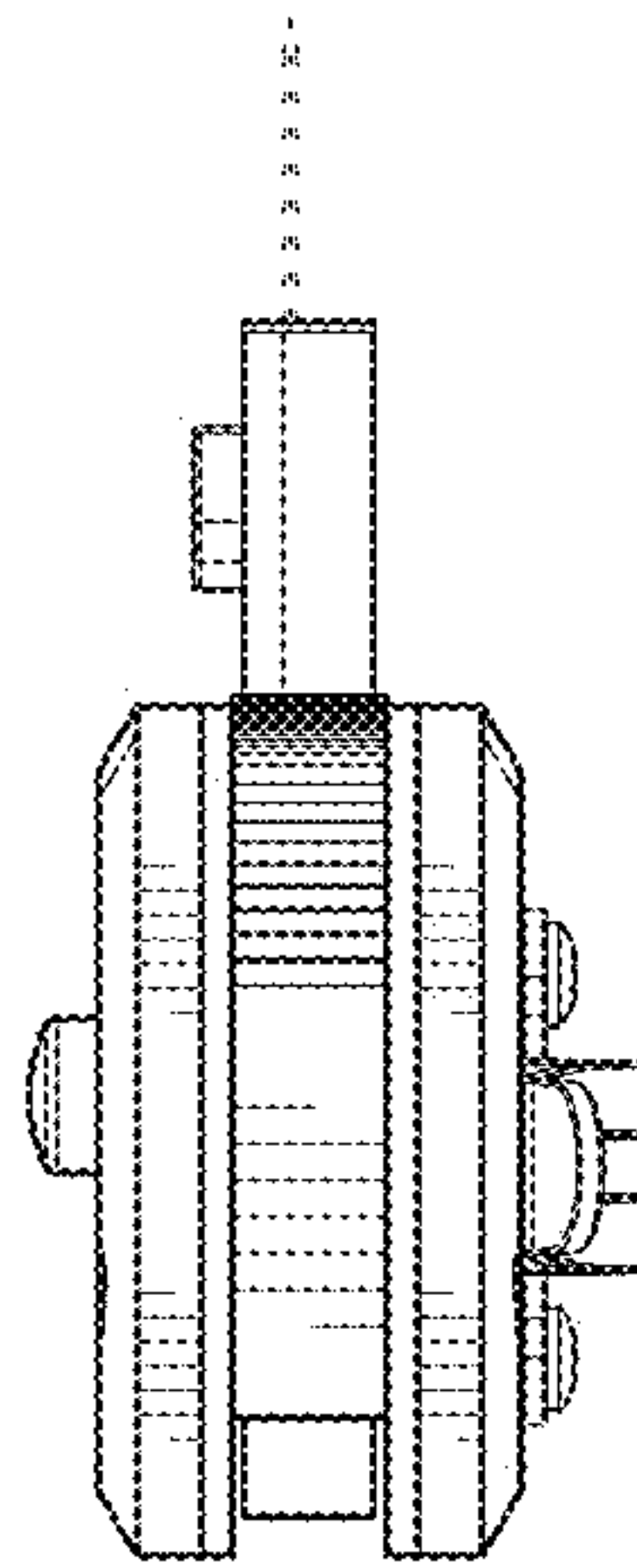


FIG. 20

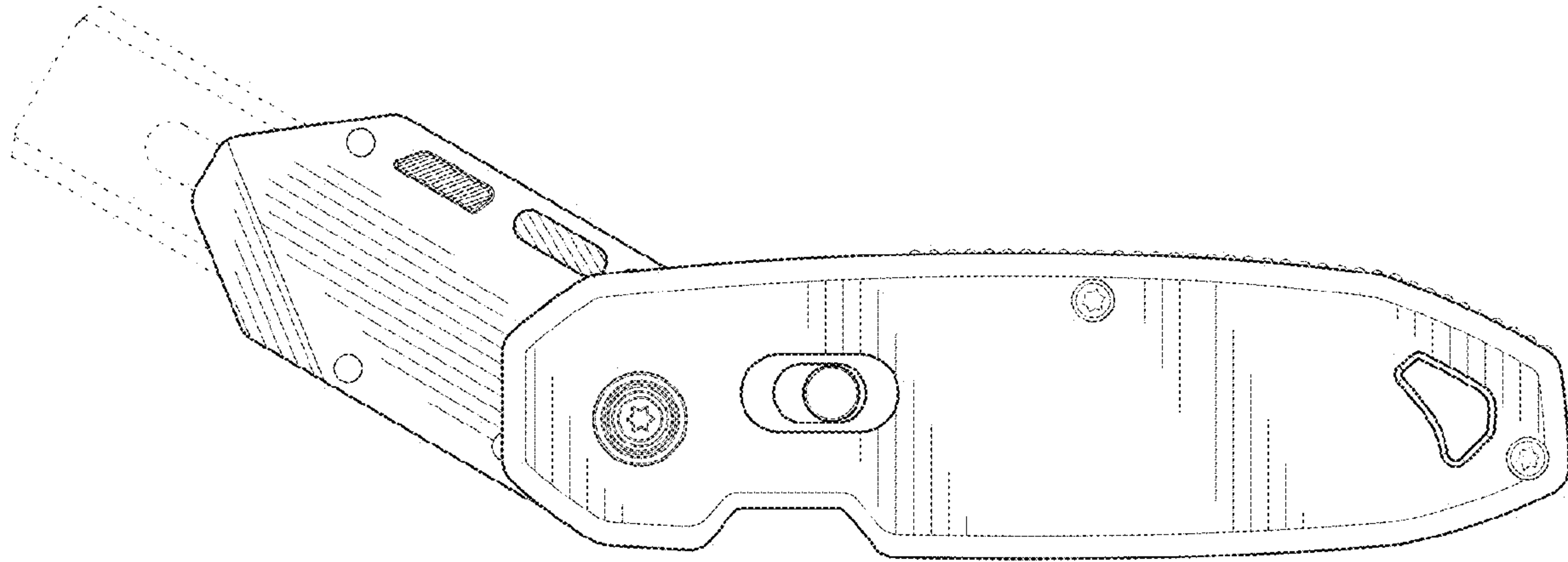


FIG. 21

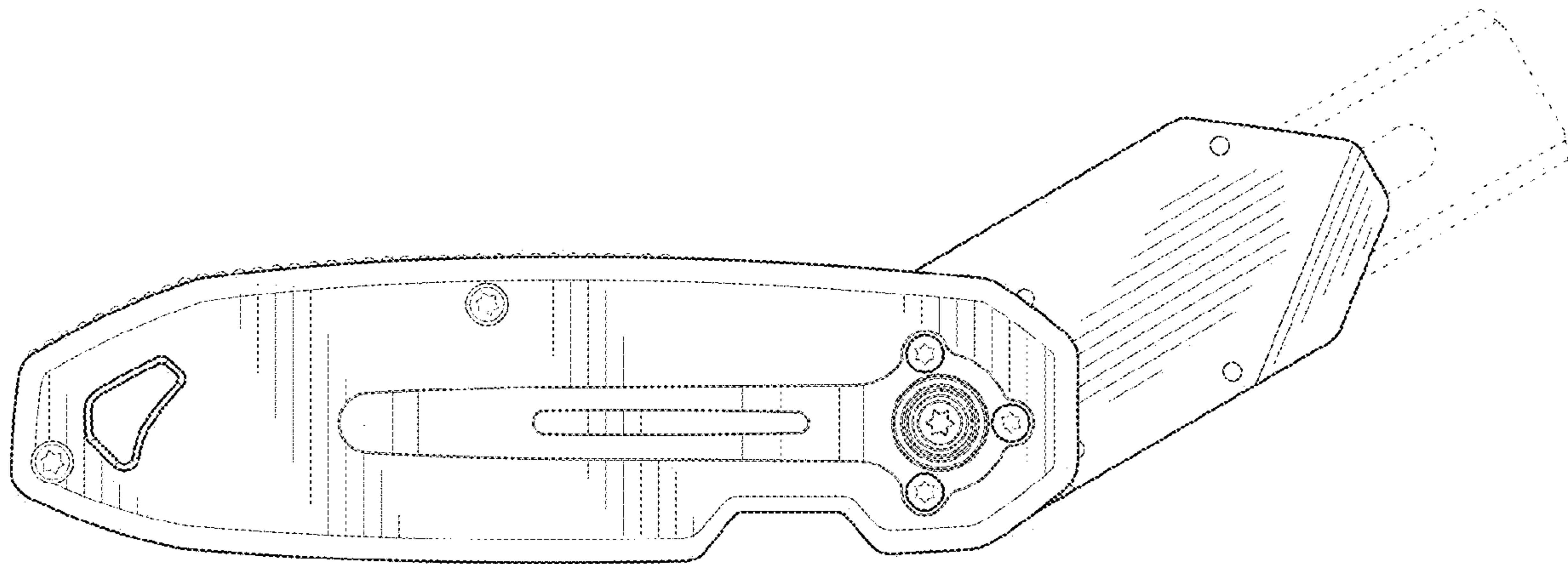


FIG. 22

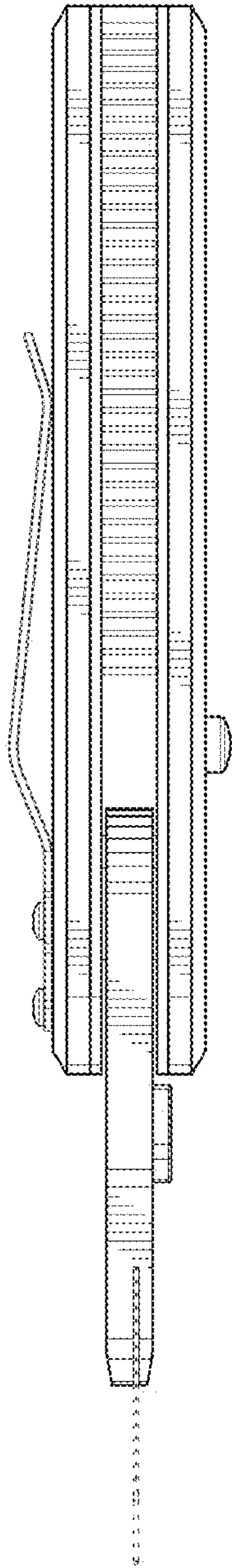


FIG. 23

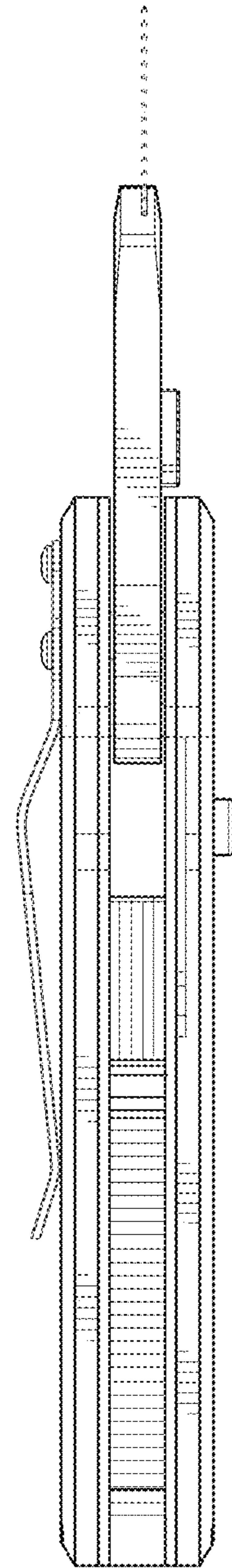


FIG. 24