



US00D938250S

(12) **United States Design Patent** (10) **Patent No.:** **US D938,250 S**
Dalton et al. (45) **Date of Patent:** **** Dec. 14, 2021**

(54) **TOOL HOLDER ASSEMBLY** 8,021,085 B1 * 9/2011 Nelson B23C 5/10
407/54
(71) Applicant: **Cricut, Inc.**, South Jordan, UT (US) D669,988 S * 10/2012 Packard D24/147
D697,769 S * 1/2014 Lion D7/694
(72) Inventors: **John Dalton**, South Jordan, UT (US); 9,079,286 B1 * 7/2015 DeCamillis B24B 23/02
Grayson Stopp, San Francisco, CA D741,134 S * 10/2015 Massey D8/70
(US); **Joaquin Fernandez**, Oakland, D877,214 S * 3/2020 Crisp D15/127
CA (US); **Jeremy B. Crystal**, D887,246 S * 6/2020 Chang D8/107
Springville, UT (US) D902,998 S * 11/2020 Wolter D19/202
D902,999 S * 11/2020 Wolter D19/202
2006/0029479 A1 * 2/2006 Stoll B23B 31/1179
409/136
(73) Assignee: **Cricut, Inc.**, South Jordan, UT (US) 2009/0295104 A1 * 12/2009 Cover B44B 11/02
279/83
(**) Term: **15 Years** (Continued)

(21) Appl. No.: **29/697,389**
(22) Filed: **Jul. 8, 2019**
(51) **LOC (13) Cl.** **08-05**
(52) **U.S. Cl.**
USPC **D8/71**
(58) **Field of Classification Search**
USPC D15/140; D8/71, 14, 107, 98, 47
CPC B25B 23/0028; B25F 1/04; B23B
2231/2027; B23C 2250/04; B23C 5/26
See application file for complete search history.

(56) **References Cited**
U.S. PATENT DOCUMENTS
D278,245 S * 4/1985 Smith D15/140
D278,344 S * 4/1985 Smith D15/140
D344,005 S * 2/1994 Arai D8/98
D383,962 S * 9/1997 Daley D19/163
6,216,348 B1 * 4/2001 Martirosian B26B 1/10
30/329
D484,977 S * 1/2004 Ryan D24/133
D511,003 S * 10/2005 Sliwa, Jr. D24/147
D514,420 S * 2/2006 Xu D8/107
D565,917 S * 4/2008 Peterson D8/98
D592,482 S * 5/2009 Gregory D8/107
D618,715 S * 6/2010 Corcoran D15/140
D635,429 S * 4/2011 Hakki D8/70

OTHER PUBLICATIONS

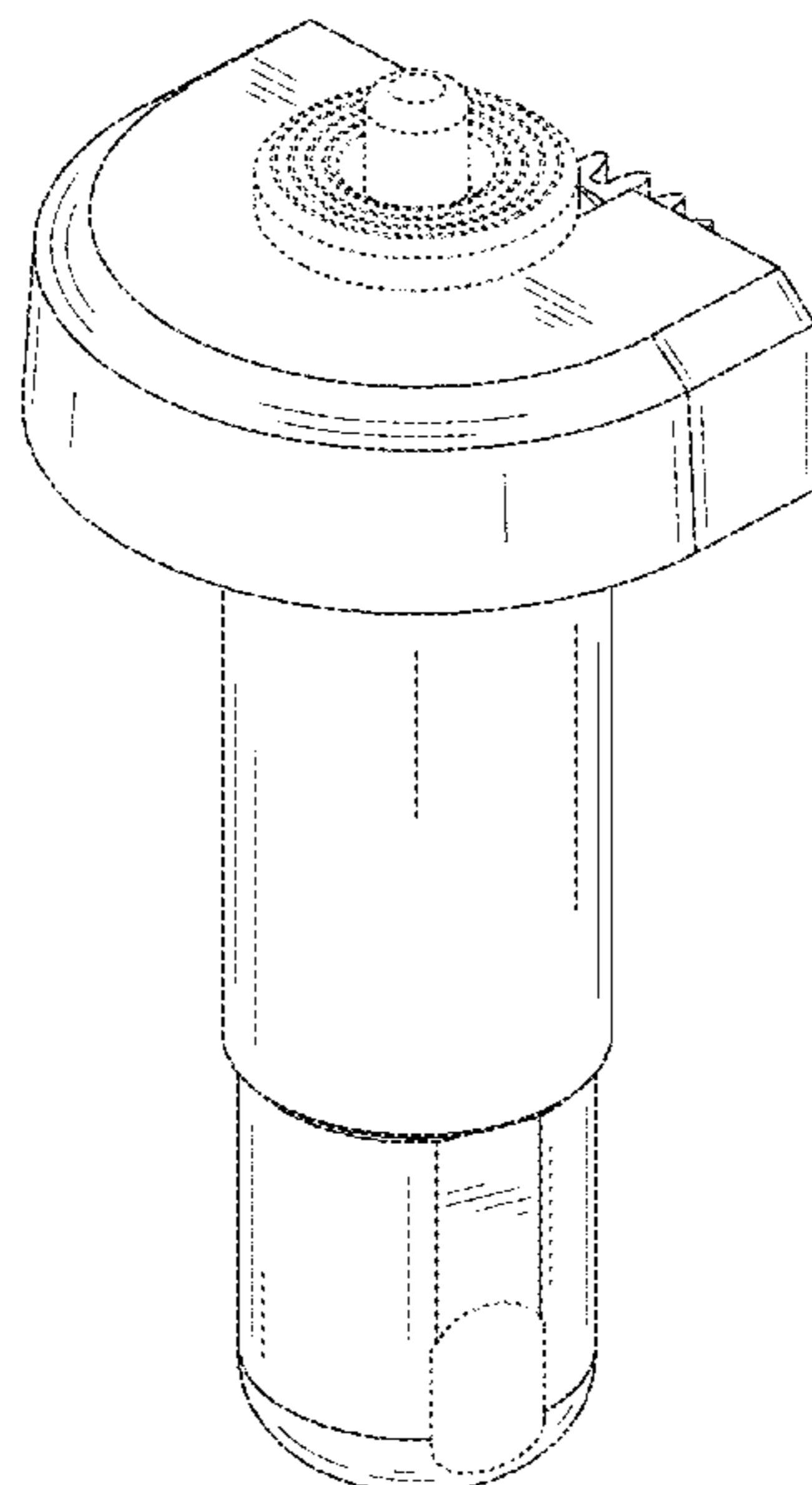
Cricut Maker New Tools, Date Published: Jul. 8, 2019, Youtube,
Date Visited: Nov. 30, 2020, <https://www.youtube.com/watch?v=nKcn9KHcdDI> (Year: 2019).*
Primary Examiner — Susan Bennett Hattan
Assistant Examiner — Elizabeth S Ko

(57) **CLAIM**
The ornamental design for a tool holder assembly, as shown
and described.

DESCRIPTION

FIG. 1 is a front, left, top isometric view;
FIG. 2 is a front, left, bottom isometric view;
FIG. 3 is a right side elevation view;
FIG. 4 is a left side elevation view,
FIG. 5 is a front side elevation view;
FIG. 6 is a back side elevation view;
FIG. 7 is an enlarged top plan view; and,
FIG. 8 is an enlarged bottom plan view.
The broken lines in the figures show portions of the tool
holder assembly that form no part of the claimed design.

1 Claim, 7 Drawing Sheets



(56)

References Cited

U.S. PATENT DOCUMENTS

2015/0258699 A1* 9/2015 Vander Woude B26D 5/34
83/13
2016/0167188 A1* 6/2016 Davis B24B 3/247
451/48
2017/0259450 A1* 9/2017 Oka B65H 35/0086
2019/0061025 A1* 2/2019 Trecapelli B23C 5/26

* cited by examiner

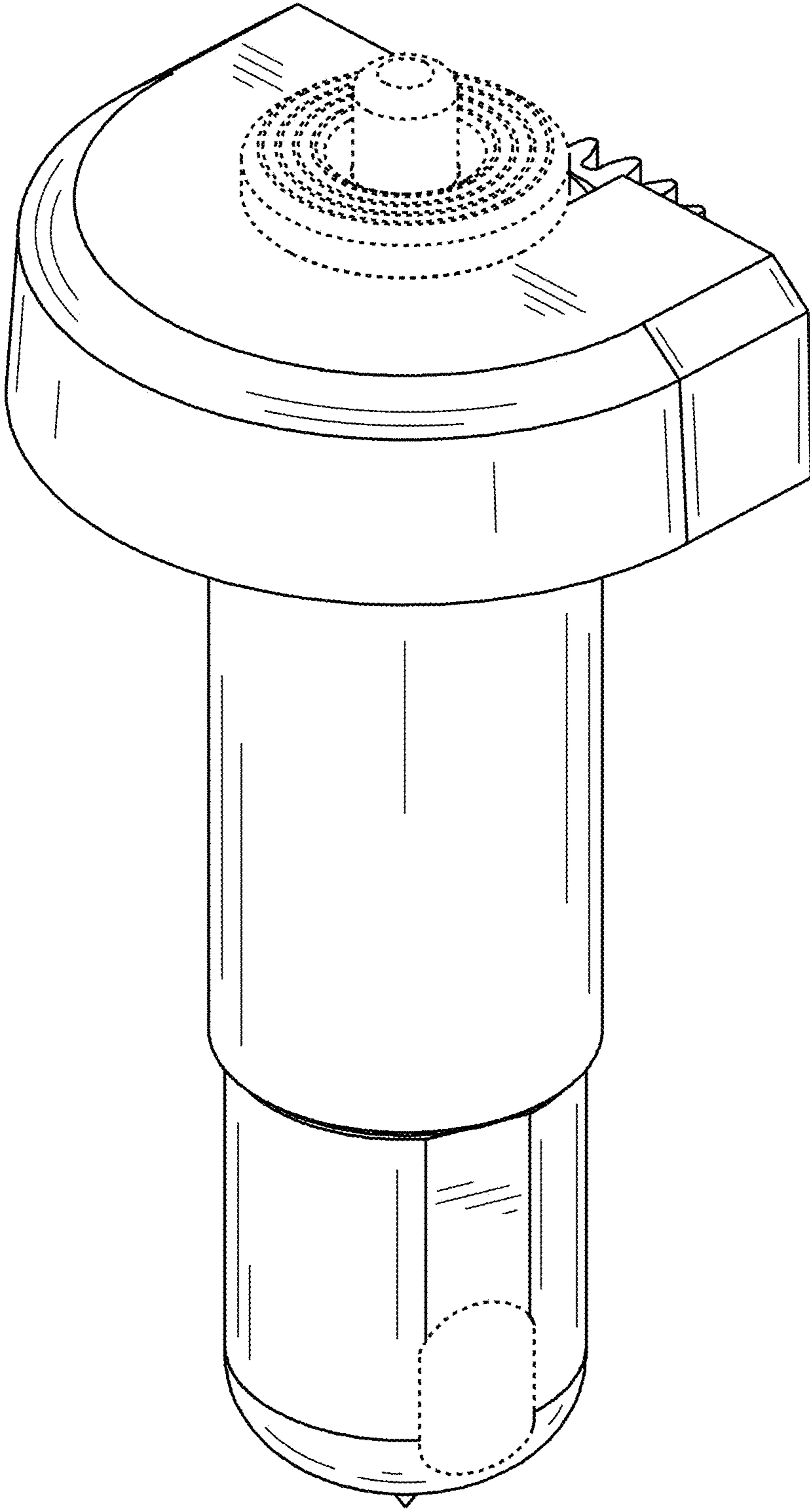


FIG. 1

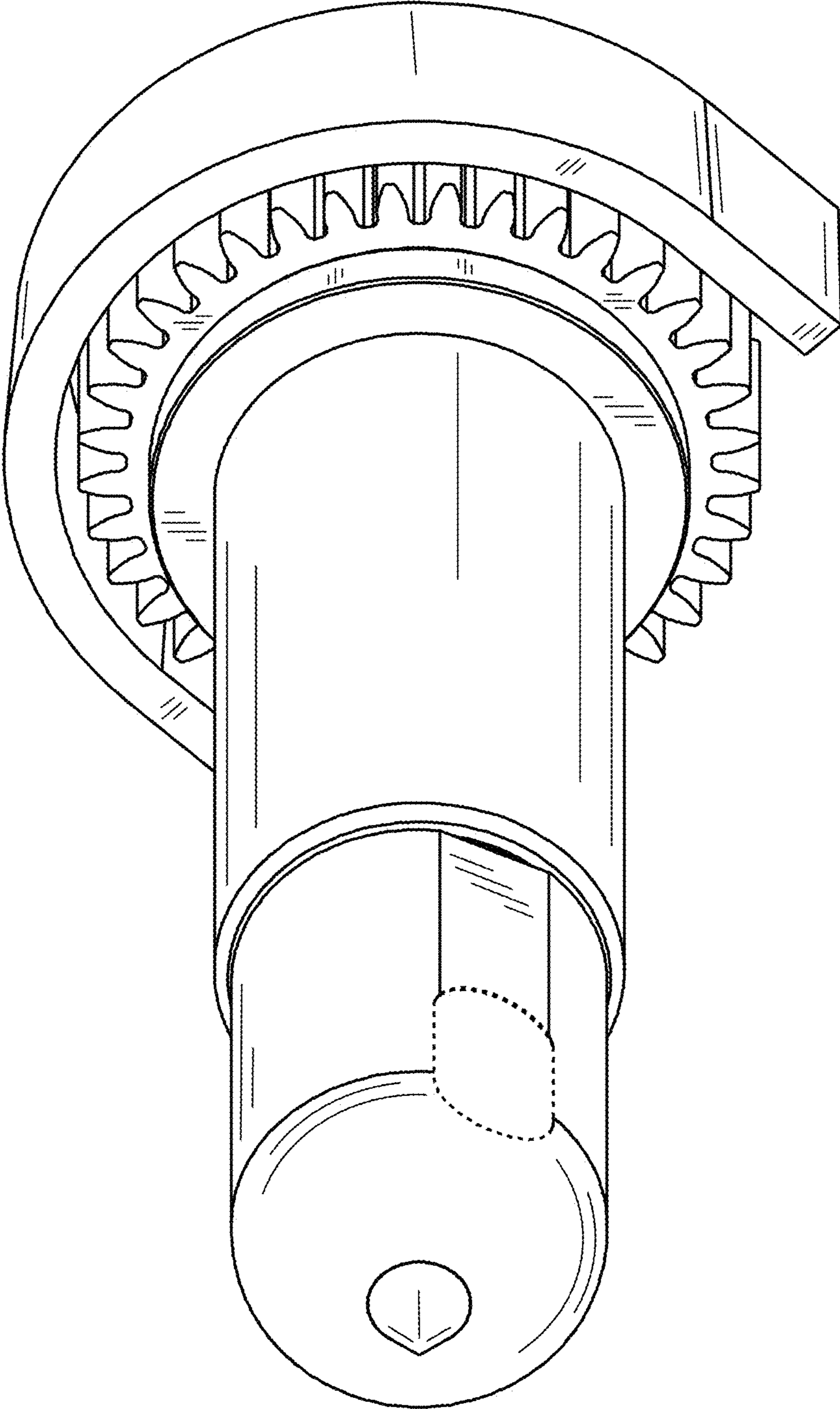


FIG. 2

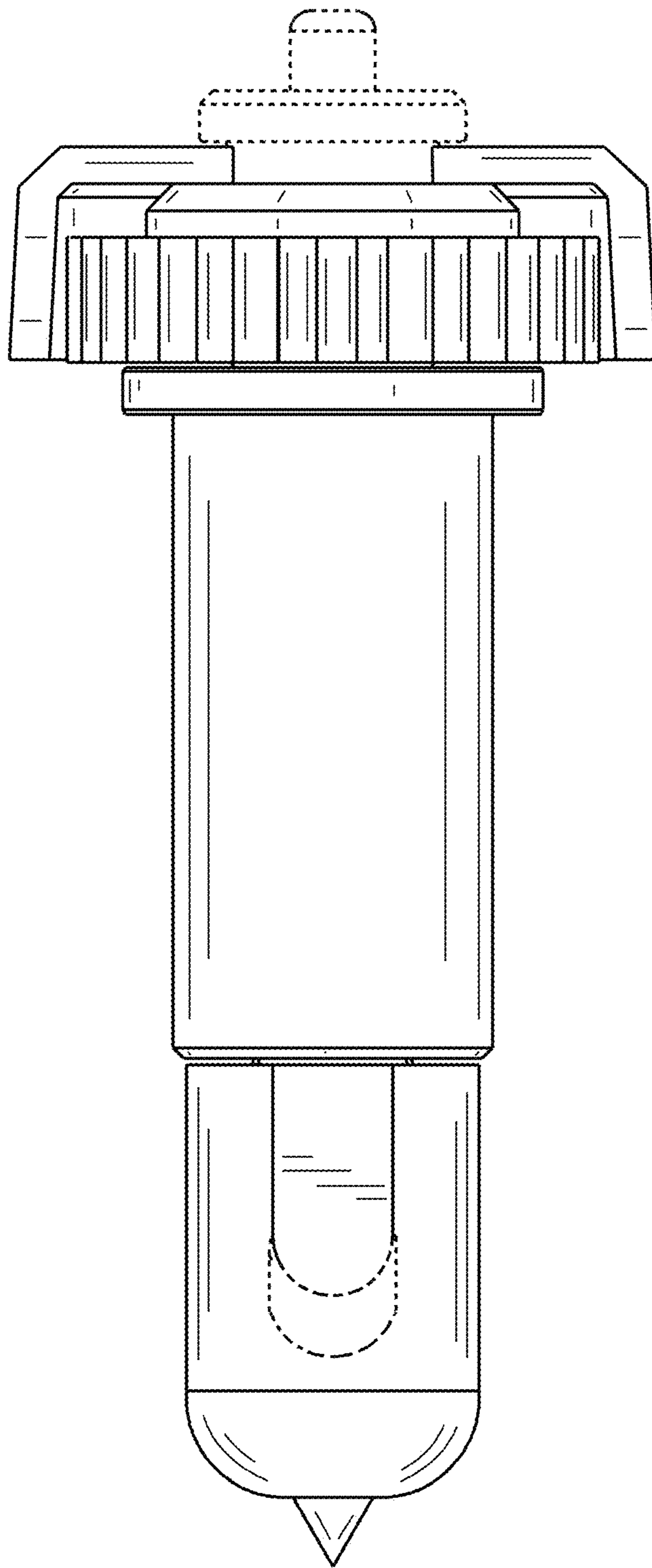


FIG. 3

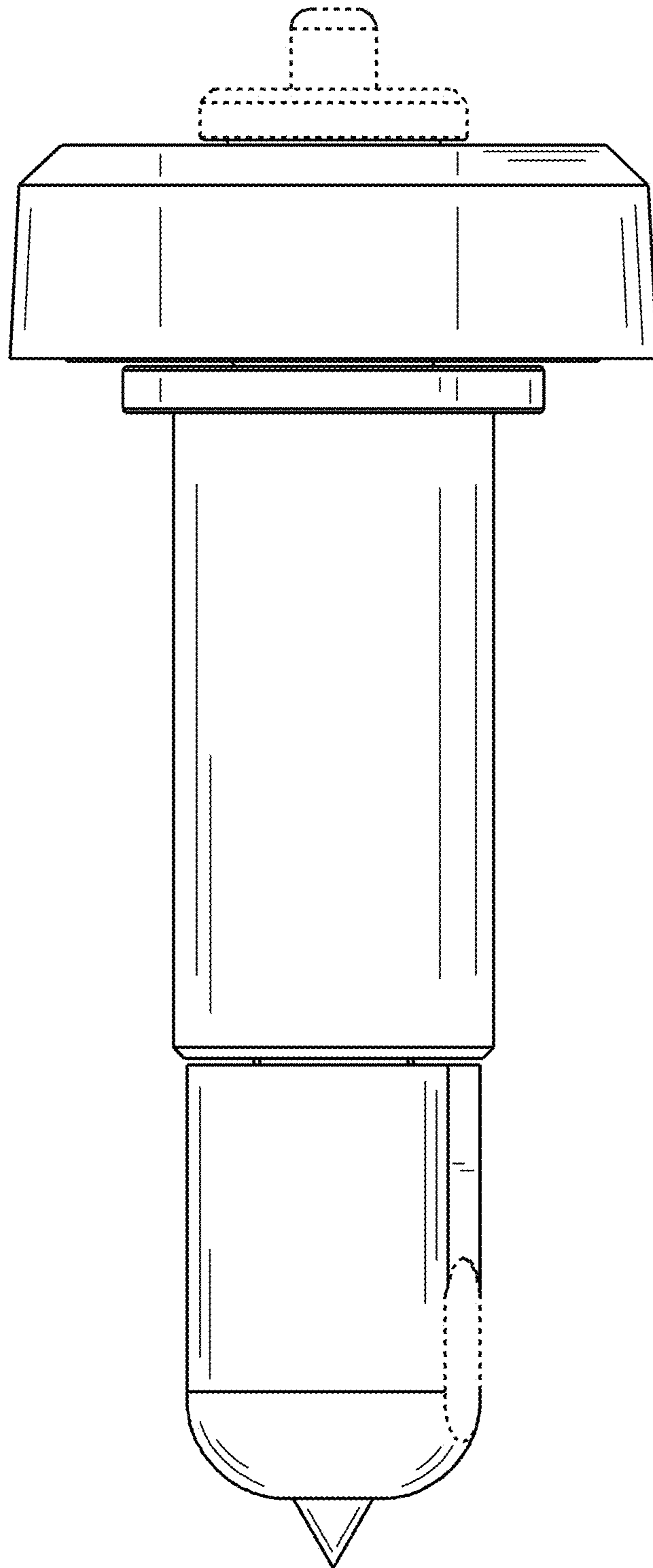


FIG. 4

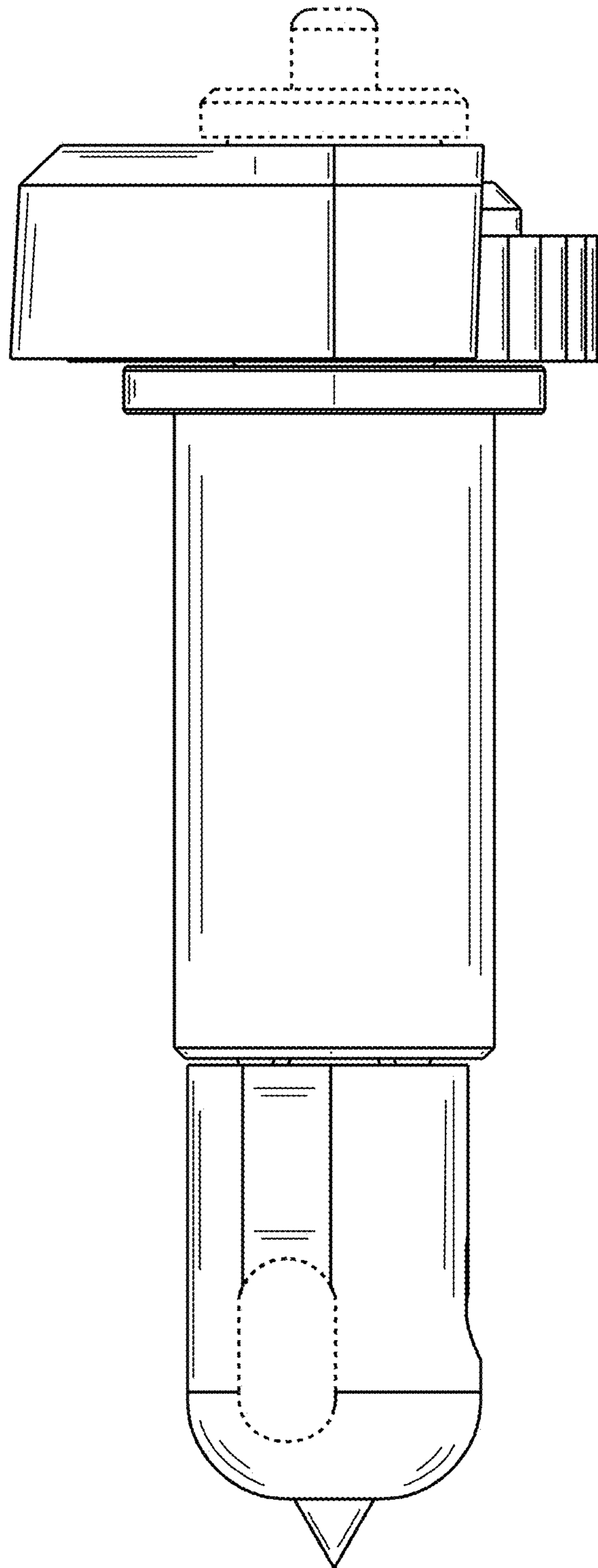


FIG. 5

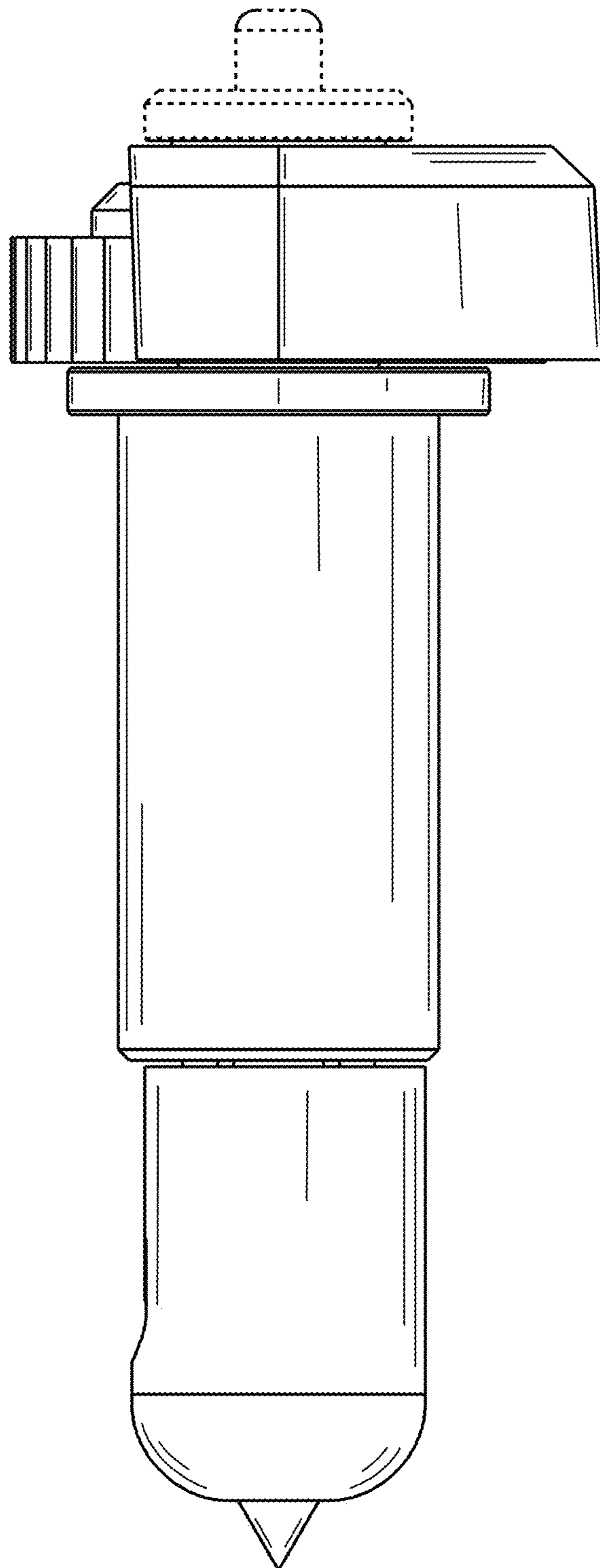


FIG. 6

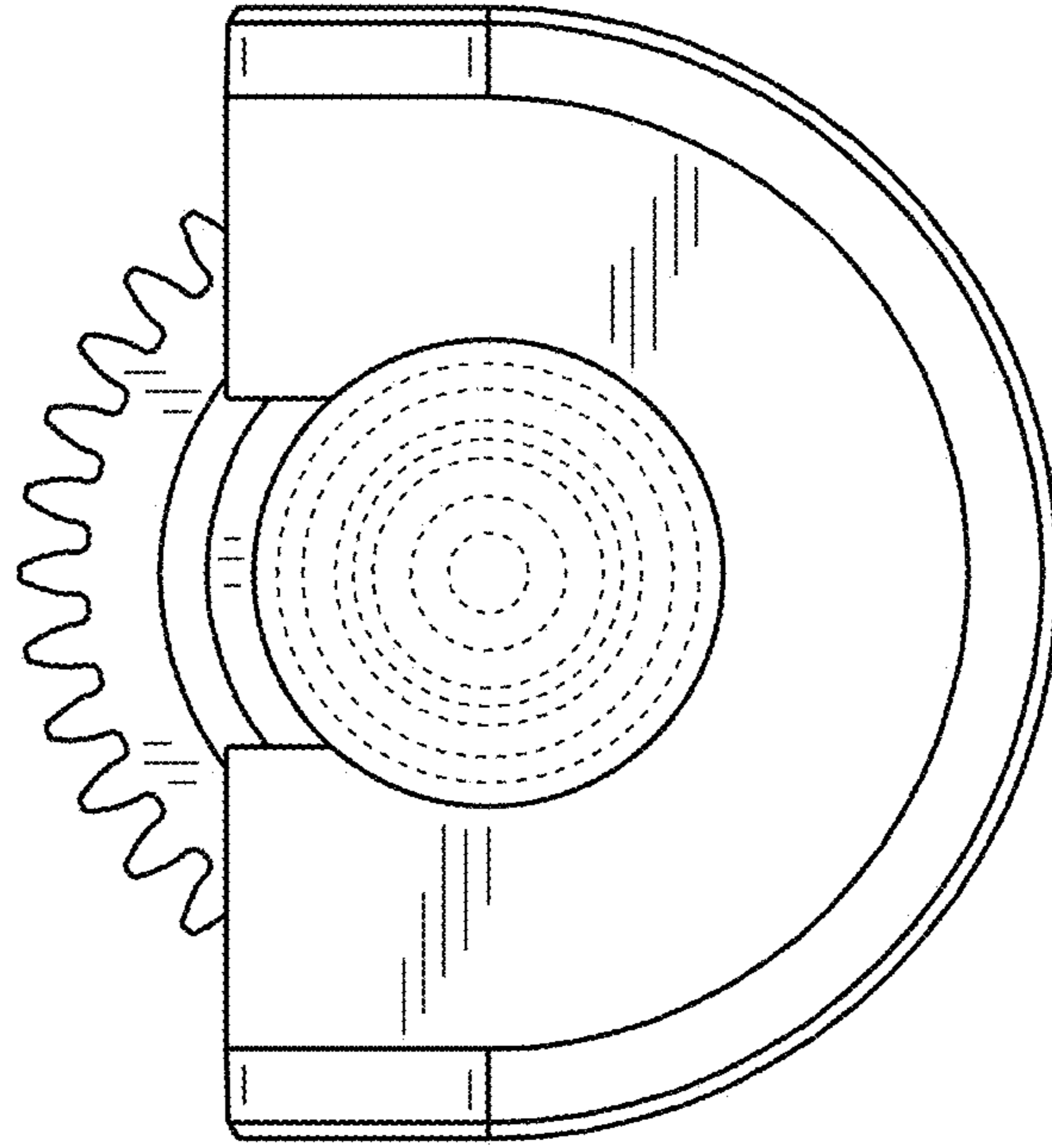


FIG. 7

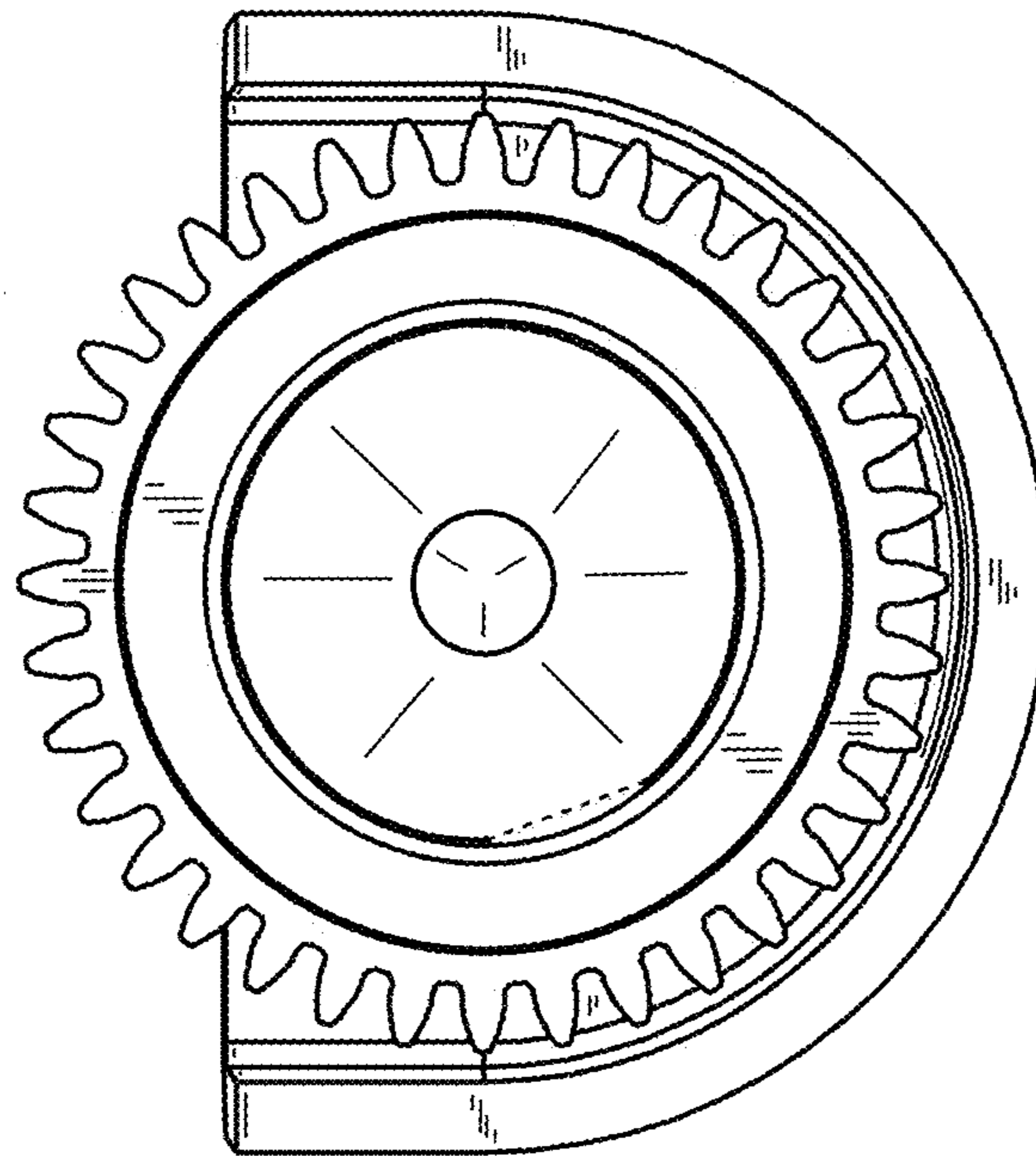


FIG. 8