



US00D938247S

(12) **United States Design Patent**  
**Suzuki et al.**

(10) **Patent No.:** **US D938,247 S**

(45) **Date of Patent:** **\*\* Dec. 14, 2021**

(54) **PORTABLE ELECTRIC SANDER**

(71) Applicant: **MAKITA CORPORATION**, Anjo (JP)

(72) Inventors: **Wataru Suzuki**, Anjo (JP); **Fumihide Sugita**, Anjo (JP)

(73) Assignee: **MAKITA CORPORATION**, Anjo (JP)

(\*\*) Term: **15 Years**

(21) Appl. No.: **29/686,102**

(22) Filed: **Apr. 2, 2019**

(30) **Foreign Application Priority Data**

Oct. 3, 2018 (JP) ..... 2018-021753

(51) **LOC (13) Cl.** ..... **08-03**

(52) **U.S. Cl.**  
USPC ..... **D8/62**

(58) **Field of Classification Search**

USPC .... D8/69, 68, 67, 66, 64, 61, 70; 83/698.41,  
83/747, 166.3, 374, 373, 375, 376, 391,  
83/377, 390, 388, 389; 125/13.01;  
144/218; D21/532

CPC ..... B24B 23/028; B24B 47/12; B24B 7/186;  
B25F 5/001; B25F 5/02

See application file for complete search history.

(56) **References Cited**

**U.S. PATENT DOCUMENTS**

D457,925 S \* 5/2002 Grafton ..... D21/532  
D482,582 S \* 11/2003 Chunn ..... D8/8  
7,625,264 B1 \* 12/2009 Gordon ..... B24B 7/184  
451/294  
D748,963 S \* 2/2016 Roeck ..... D8/62  
9,387,566 B2 \* 7/2016 Roeck ..... B24B 23/02  
9,981,360 B2 \* 5/2018 Roeck ..... B24B 7/184

10,035,236 B2 \* 7/2018 Roeck ..... B24B 27/0084  
D830,798 S \* 10/2018 Tinius ..... D8/8  
D929,199 S \* 8/2021 Li ..... D8/62

(Continued)

**FOREIGN PATENT DOCUMENTS**

EP 1793966 B1 2/2012  
EP 1719581 B1 3/2013

*Primary Examiner* — Austin Murphy

(74) *Attorney, Agent, or Firm* — Global IP Counselors,  
LLP

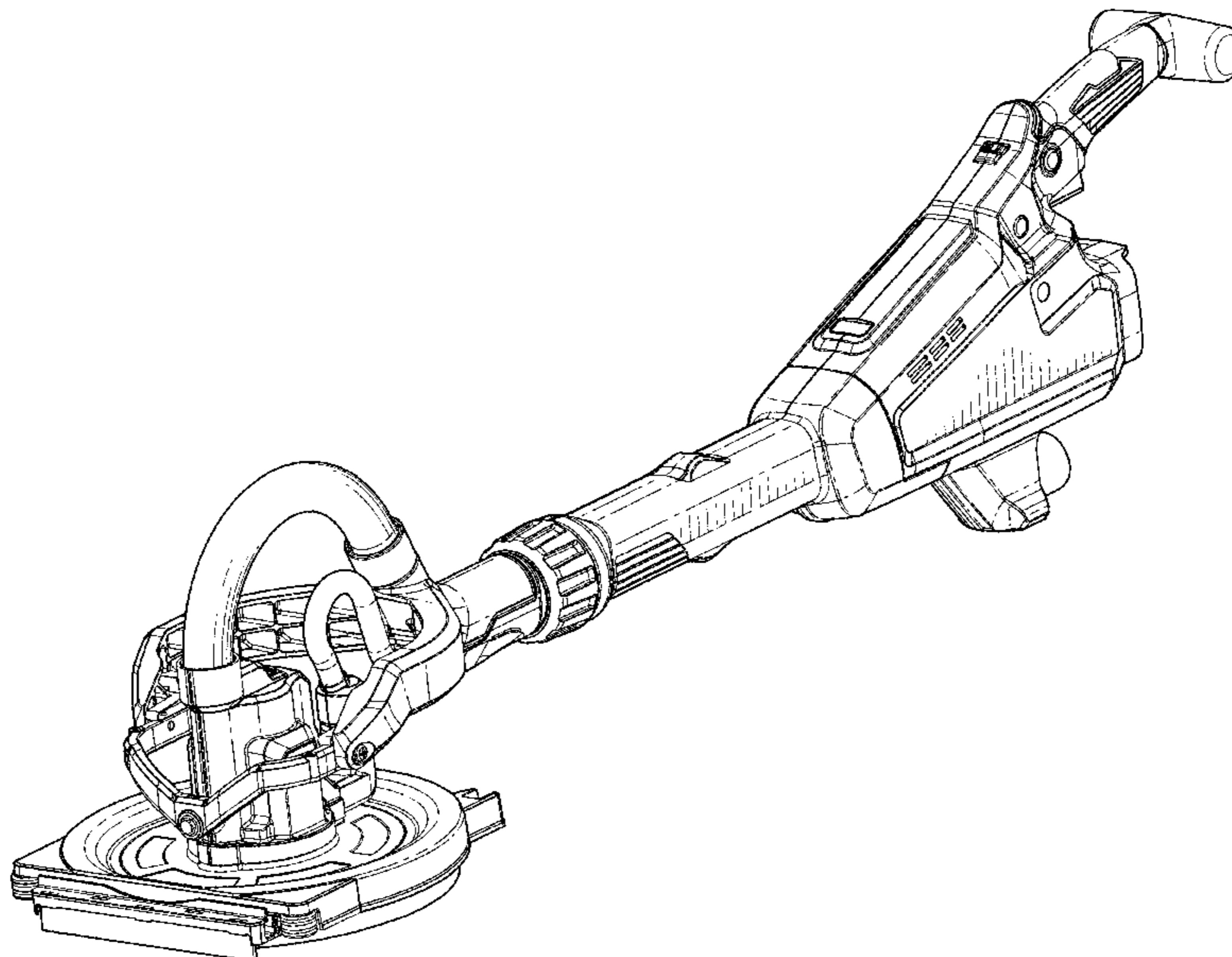
(57) **CLAIM**

The ornamental design for a portable electric sander, as shown and described.

**DESCRIPTION**

FIG. 1 is a front perspective view of a portable electric sander in accordance with our new design;  
FIG. 2 is a rear perspective view of the portable electric sander in accordance with our new design;  
FIG. 3 is a front elevational view of the portable electric sander in accordance with our new design;  
FIG. 4 is a rear elevational view of the portable electric sander in accordance with our new design;  
FIG. 5 is a top plan view of the portable electric sander in accordance with our new design;  
FIG. 6 is a bottom plan view of the portable electric sander in accordance with our new design;  
FIG. 7 is a right side elevational view of the portable electric sander in accordance with our new design;  
FIG. 8 is a left side elevational view of the portable electric sander, in accordance with our new design; and,  
FIG. 9 is a front perspective view of the portable electric sander in accordance with our new design showing when an extension pole is in an extended state and a rechargeable battery is attached to the portable electric sander.  
The broken line showing of environment structures in the drawings forms no part of the claimed design.

**1 Claim, 8 Drawing Sheets**



(56)

**References Cited**

U.S. PATENT DOCUMENTS

2006/0073778 A1\* 4/2006 Phillips ..... B24B 47/12  
451/354  
2016/0213216 A1\* 7/2016 Laessig ..... B24B 7/184  
2019/0232456 A1\* 8/2019 Sugita ..... B24B 23/005

\* cited by examiner

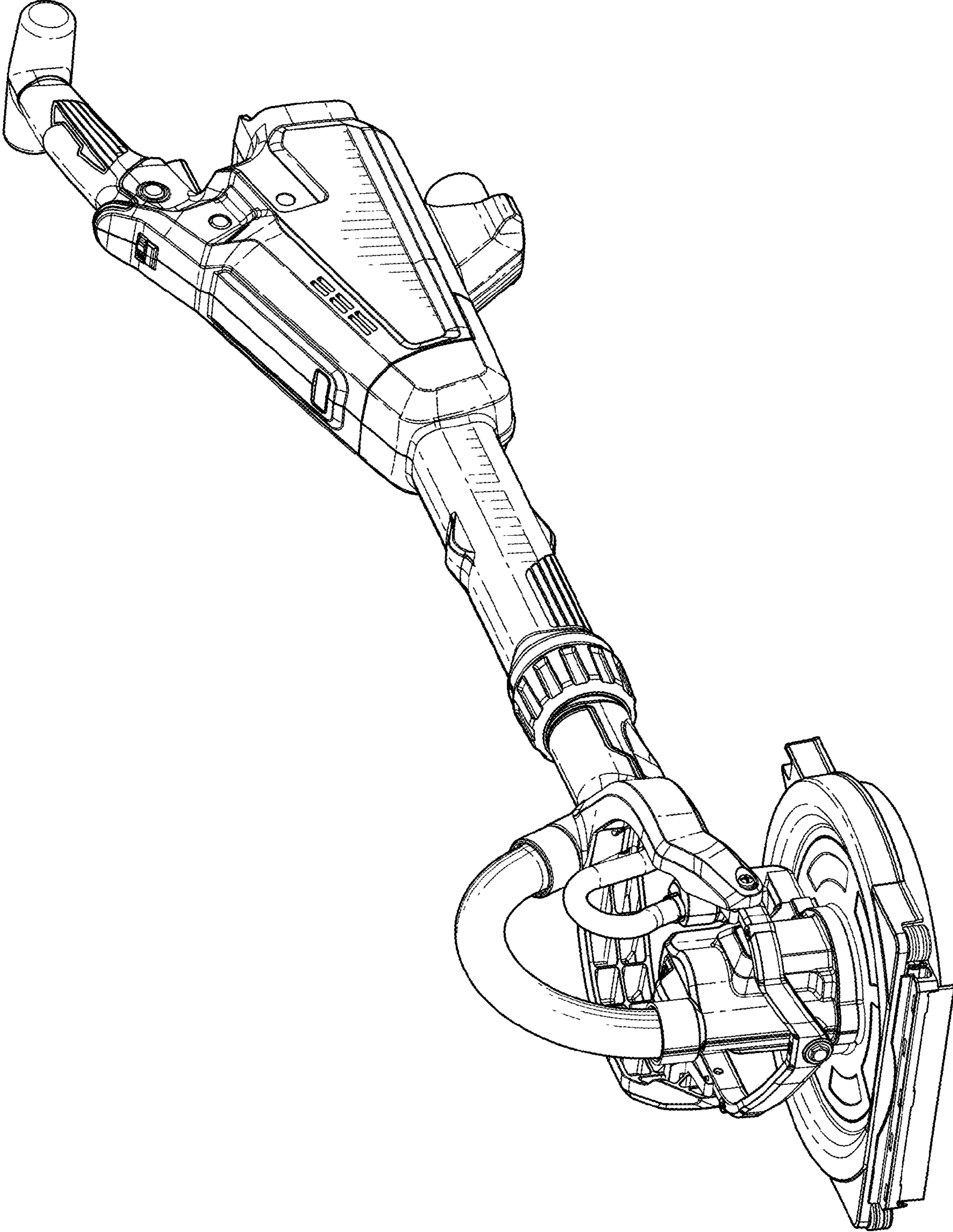


FIG. 1

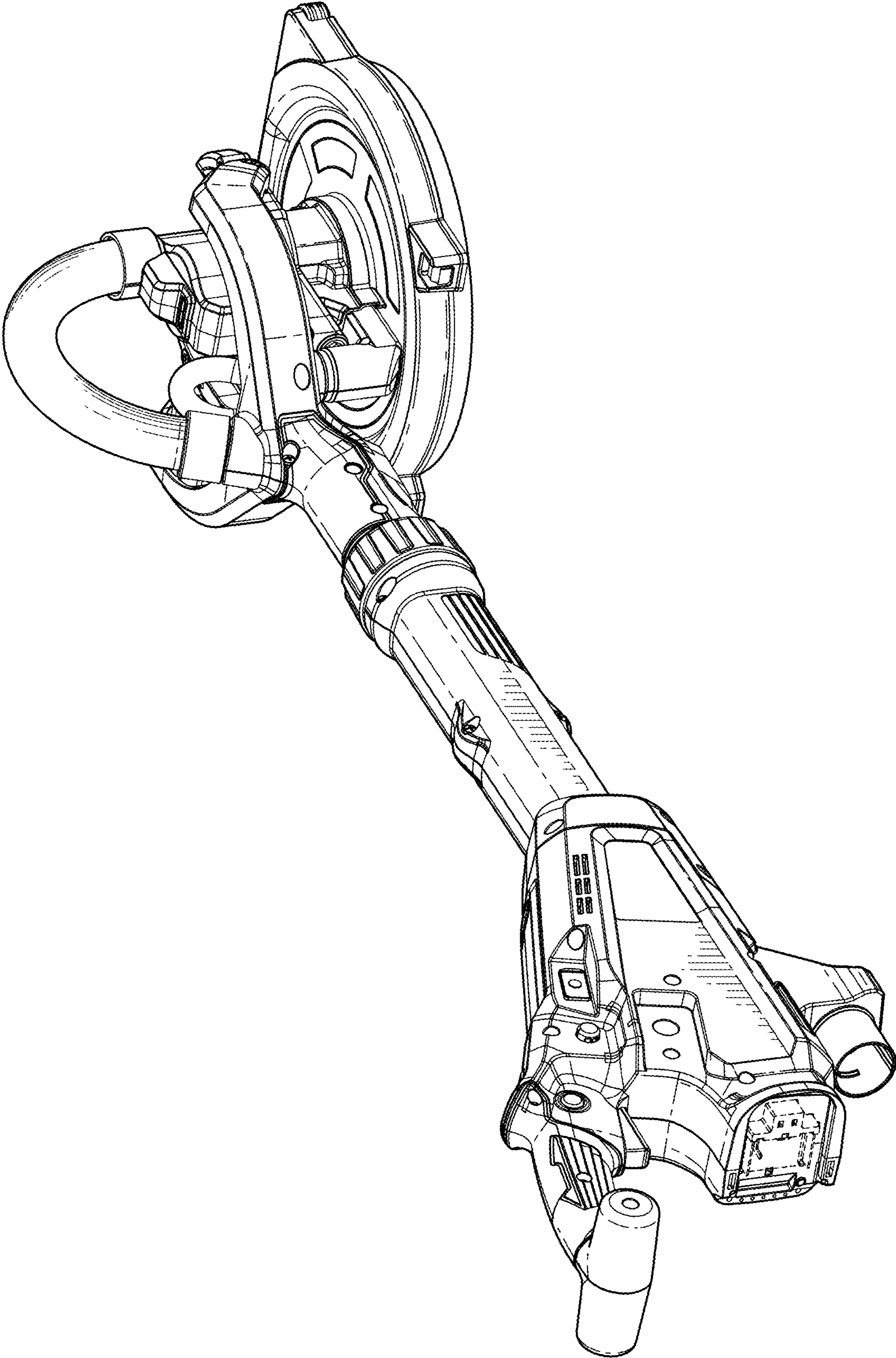


FIG. 2

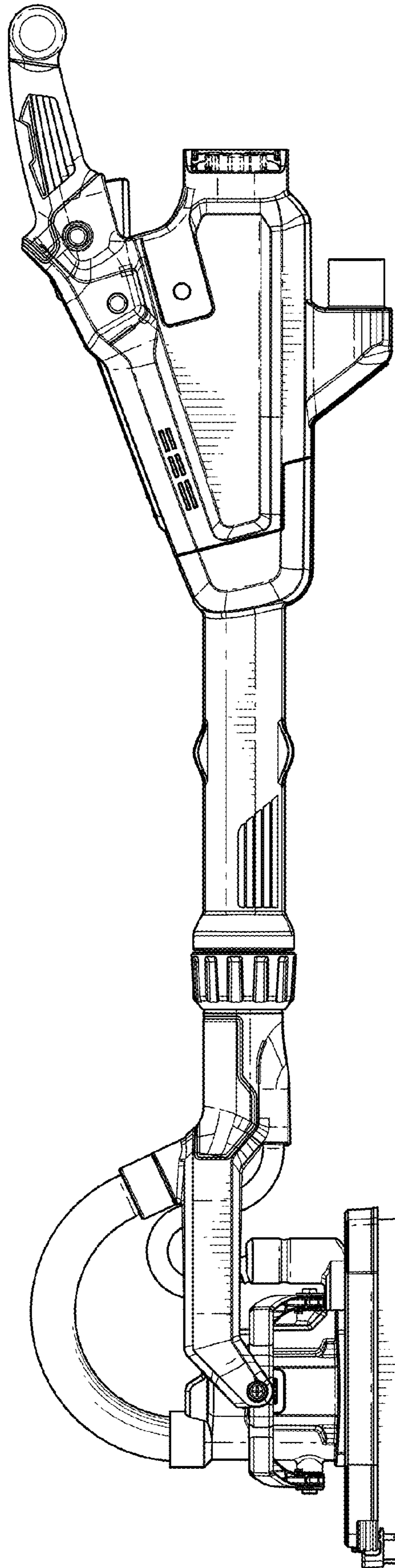


FIG. 3

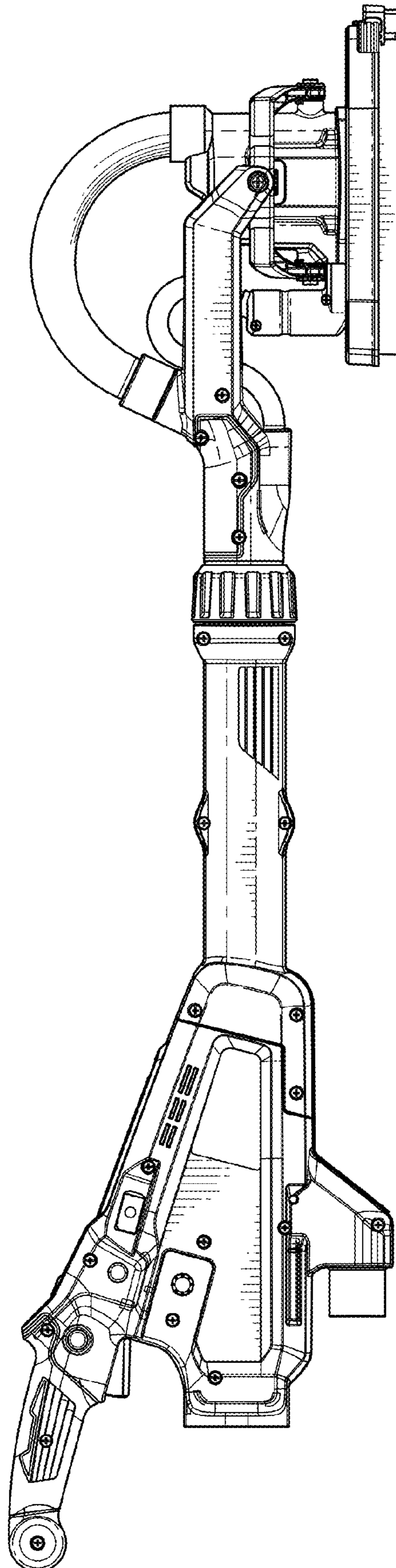


FIG. 4

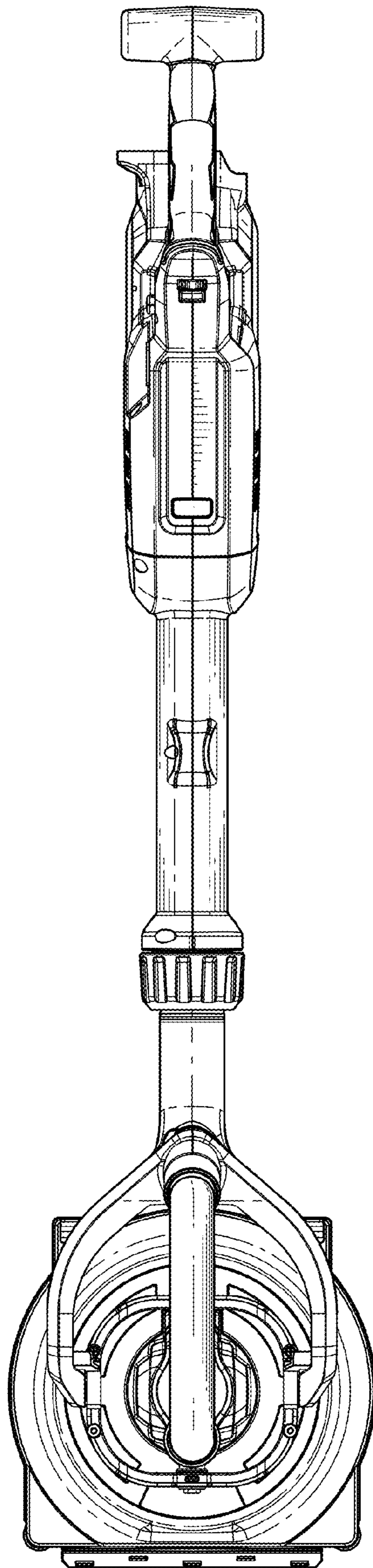


FIG. 5

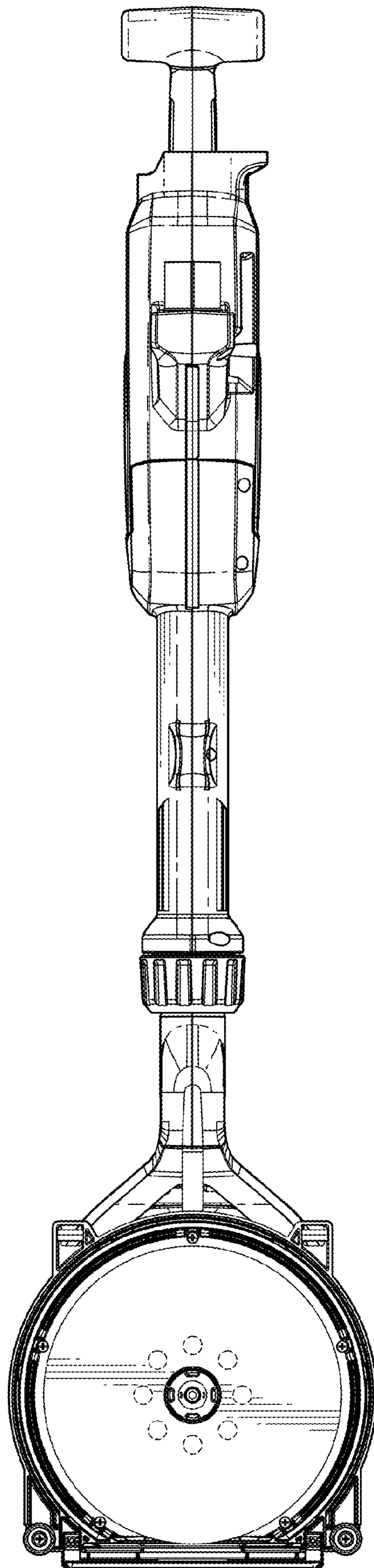
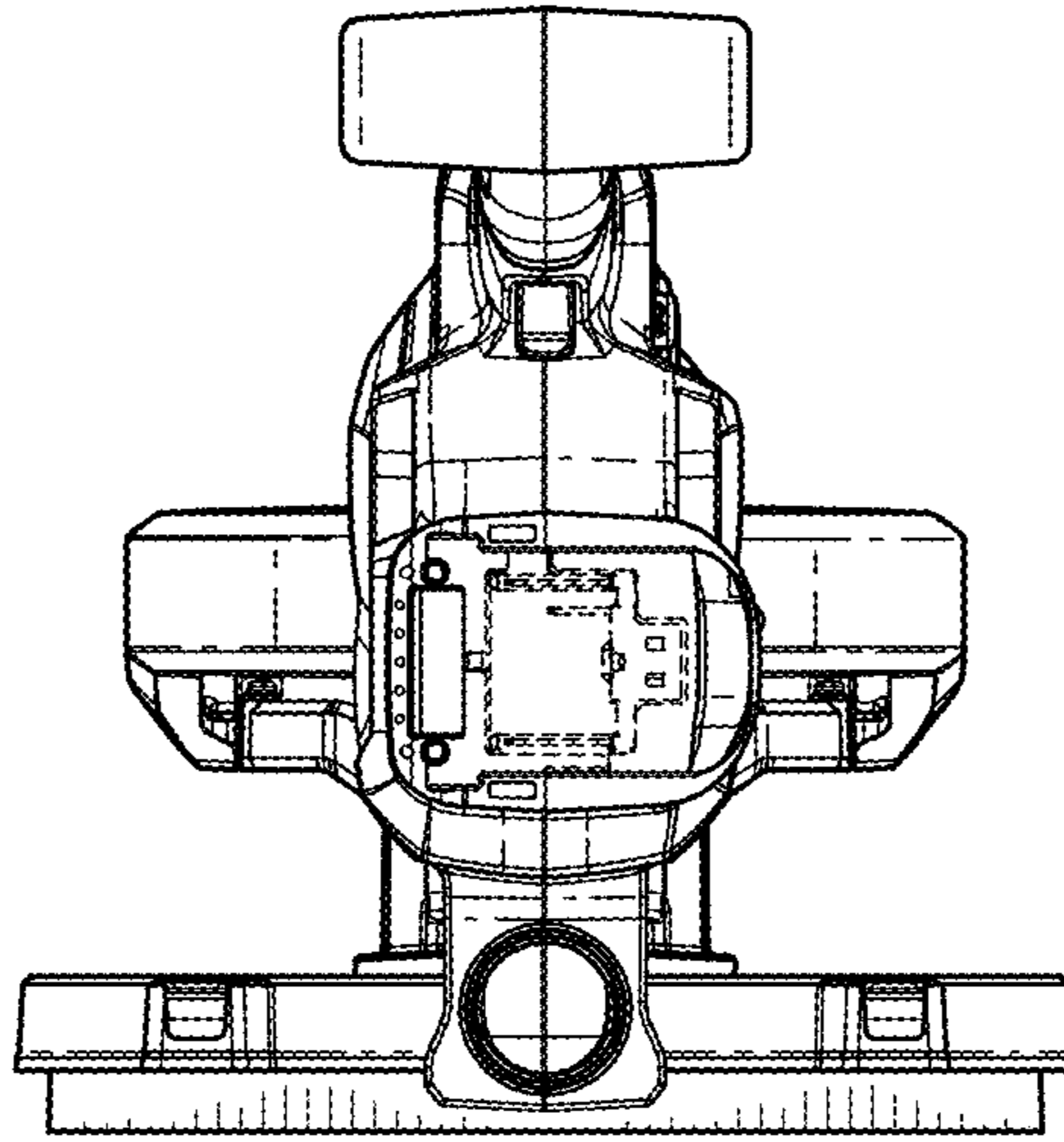
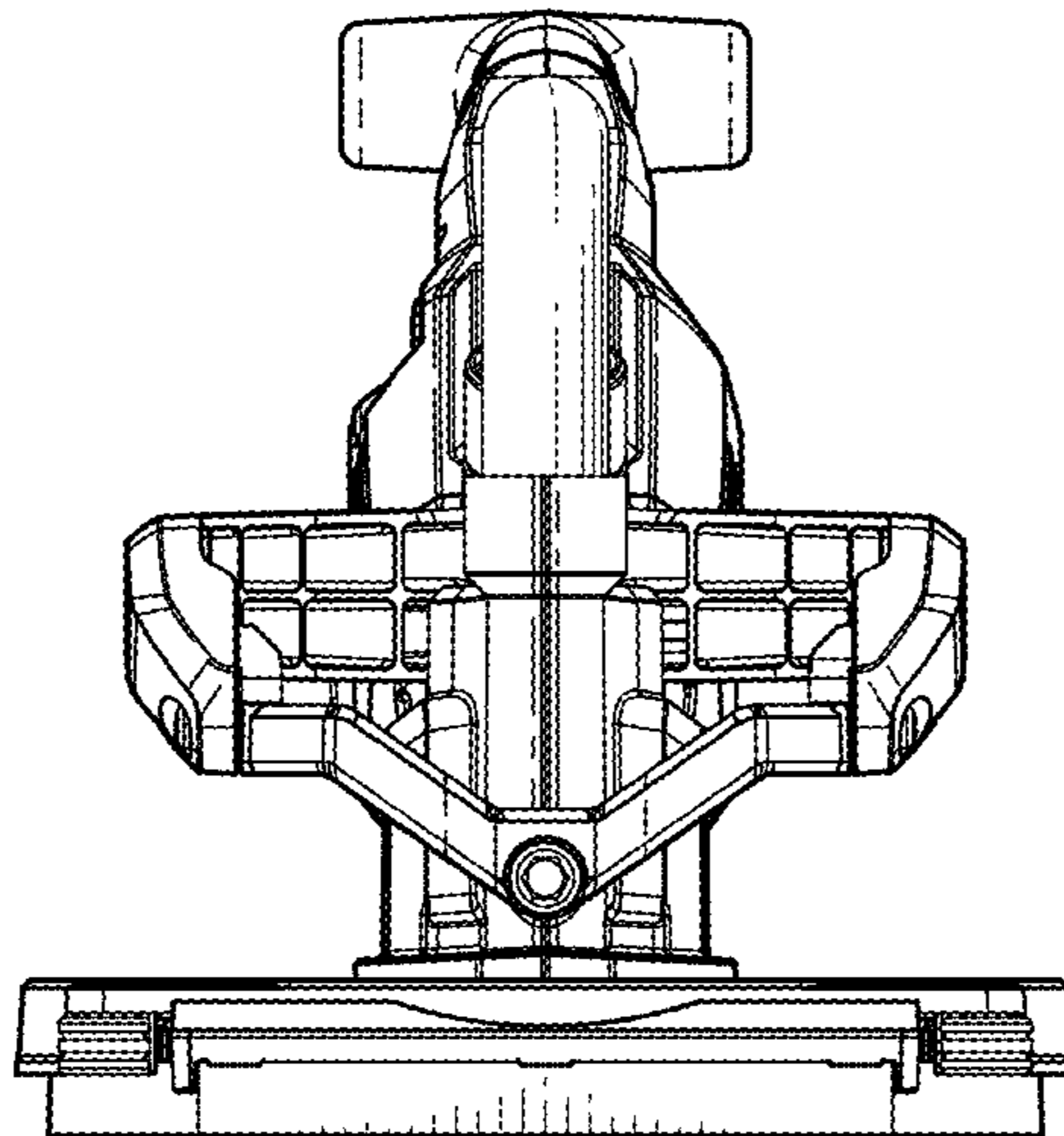


FIG. 6





**FIG. 7**



**FIG. 8**

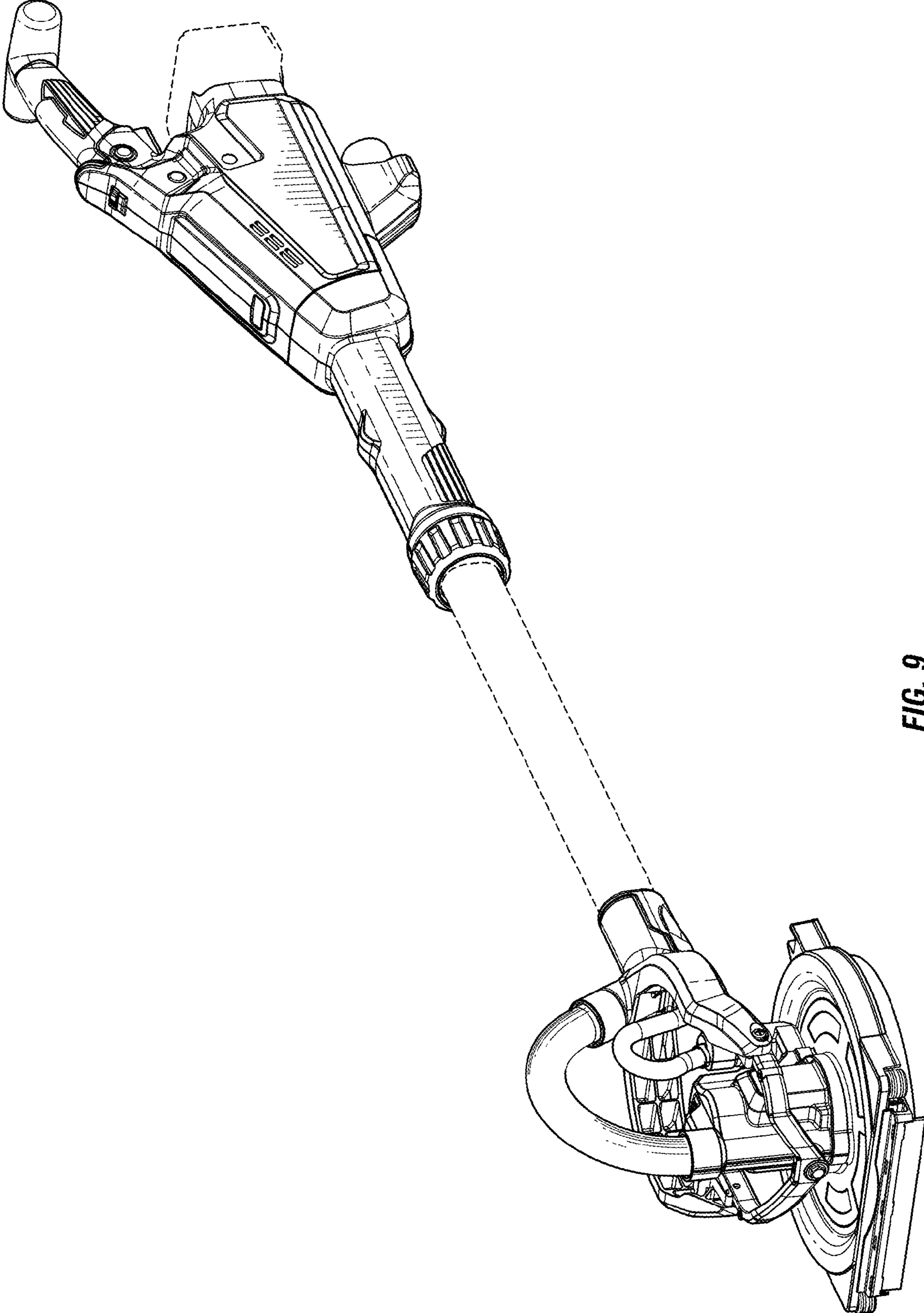


FIG. 9