



US00D938245S

(12) **United States Design Patent**  
**Cauley, Jr. et al.**

(10) **Patent No.:** **US D938,245 S**

(45) **Date of Patent:** **\*\* Dec. 14, 2021**

(54) **ULU KNIFE WITH BOTTLE OPENER**

(71) Applicant: **Battenfeld Technologies, Inc.,**  
Columbia, MO (US)

(72) Inventors: **Dennis W. Cauley, Jr.,** Fayette, MO  
(US); **James Tayon,** Moberly, MO  
(US); **Anthony Vesich,** Columbia, MO  
(US); **Matthew Kinamore,** Columbia,  
MO (US); **Josh Neville,** Warrenton,  
MO (US); **Curtis Smith,** Columbia,  
MO (US); **Mark Dalton,** Columbia,  
MO (US)

(73) Assignee: **AOB Products Company,** Columbia,  
MO (US)

(\*\*) Term: **15 Years**

(21) Appl. No.: **29/720,279**

(22) Filed: **Jan. 10, 2020**

(51) **LOC (13) Cl.** ..... **07-99**

(52) **U.S. Cl.**  
USPC ..... **D8/34; D8/98**

(58) **Field of Classification Search**  
USPC ..... D8/18, 20, 33-43, 98; D7/649; D22/118  
CPC ..... B26B 11/00; B26B 11/006; B26B 3/00;  
B26B 9/00

See application file for complete search history.

(56) **References Cited**

**U.S. PATENT DOCUMENTS**

382,591	A *	5/1888	Cowles	.....	B21D 53/645
					76/104.1
1,425,704	A *	8/1922	Shek	.....	B67B 7/24
					30/443
D109,695	S *	5/1938	Calencia	.....	D8/18
D144,225	S *	3/1946	Teague	.....	D7/693
D220,598	S *	4/1971	Meszaros	.....	D7/693
D249,994	S *	10/1978	Hall	.....	D7/693

D263,112	S *	2/1982	Ressel	.....	D22/117
4,574,479	A *	3/1986	Gramann	.....	A47G 21/045
					294/7
4,817,221	A *	4/1989	Ryan	.....	B25F 1/02
					30/123.7
D330,665	S *	11/1992	Neuendorf	.....	D7/693
D352,426	S *	11/1994	Tucker	.....	D32/46
D353,989	S *	1/1995	Watson	.....	D8/98
D392,078	S *	3/1998	Courts	.....	D32/46
D409,270	S *	5/1999	Balolia	.....	D22/118
D457,790	S *	5/2002	Wang	.....	D7/696
6,851,215	B2 *	2/2005	Conrad	.....	A01K 97/00
					43/17.2
D612,694	S *	3/2010	Eide	.....	D7/693
D640,105	S *	6/2011	Benz	.....	D8/38

(Continued)

**OTHER PUBLICATIONS**

Bubba Proteus Ulu Knife, \$32.99 online on sportsmansguide.com, review Dec. 2020.\*

(Continued)

*Primary Examiner* — Elizabeth A. Albert

(74) *Attorney, Agent, or Firm* — Stinson LLP

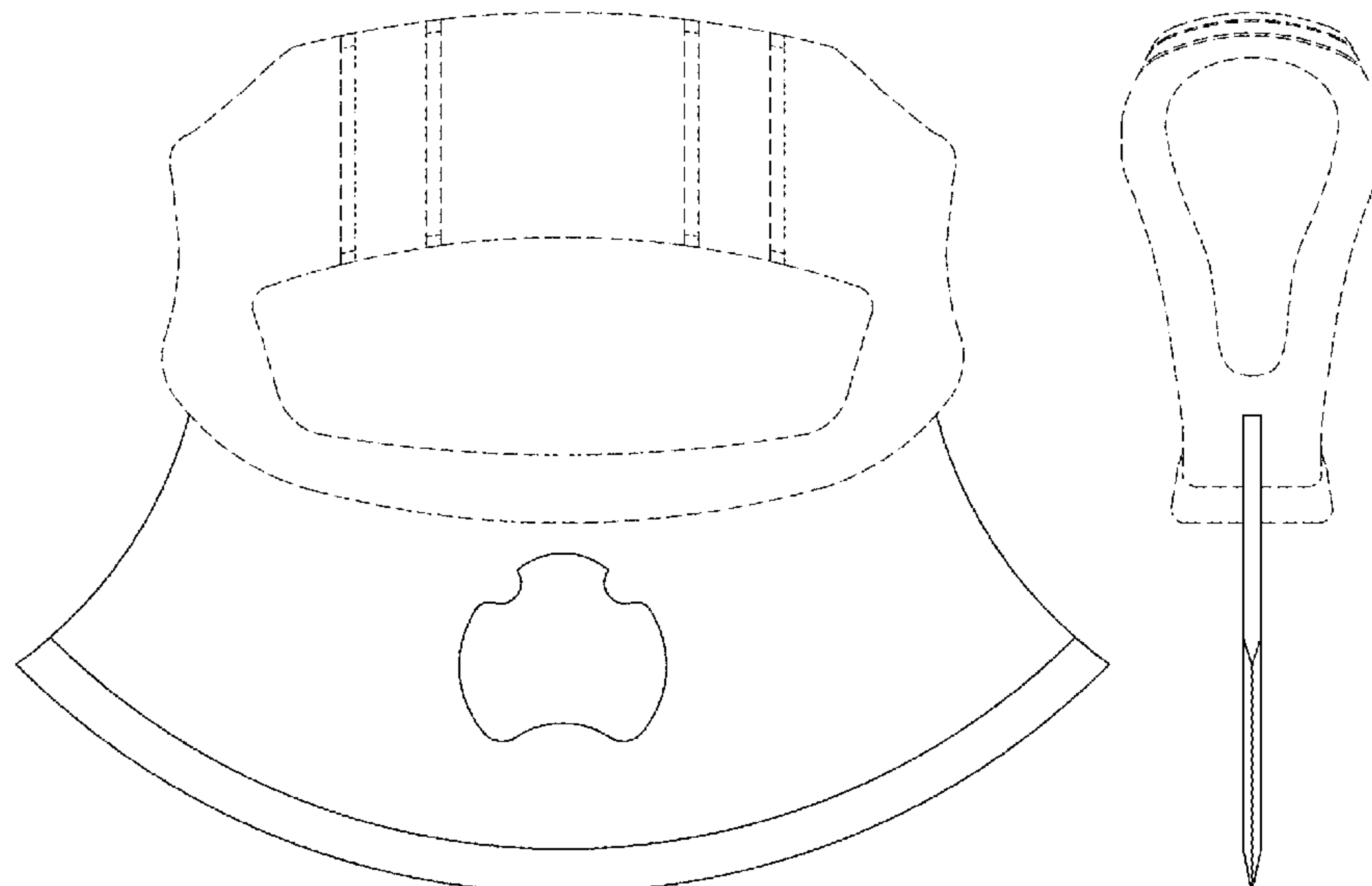
(57) **CLAIM**

The ornamental design for an ulu knife with bottle opener, as shown and described.

**DESCRIPTION**

FIG. 1 is a perspective of an ulu knife with bottle opener of our new design;  
FIG. 2 is a front view thereof;  
FIG. 3 is a left side view thereof;  
FIG. 4 is a top view thereof;  
FIG. 5 is a rear view thereof;  
FIG. 6 is a right side view thereof; and,  
FIG. 7 is a bottom view thereof.  
The broken lines in FIGS. 1-7 are directed to environment and form no part of the claimed design.

**1 Claim, 7 Drawing Sheets**



(56)

**References Cited**

U.S. PATENT DOCUMENTS

D662,787 S \* 7/2012 Holmes ..... D7/649  
D681,081 S \* 4/2013 Neal, Jr. .... D15/139  
D742,192 S \* 11/2015 Morales ..... D8/34  
D811,837 S \* 3/2018 Brandes ..... D8/18  
D832,072 S \* 10/2018 McGinnis ..... D8/98  
D833,843 S \* 11/2018 Stahle, Jr. .... D8/38  
10,702,084 B2 \* 7/2020 Knapp ..... A47G 21/08  
D903,040 S \* 11/2020 Dark, II ..... D22/118  
D911,795 S \* 3/2021 Su ..... D8/20  
2014/0251098 A1 \* 9/2014 Qian ..... B26B 3/00  
83/13  
2021/0008737 A1 \* 1/2021 Cauley, Jr. .... B25G 1/102

OTHER PUBLICATIONS

Bubba Blade Proteus Ulu Knife, Item No. 1989606, \$39.95, online on Smokey Mountain Knife Works, smkw.com, review by David P on Nov. 30, 2020.\*

\* cited by examiner

FIG. 1

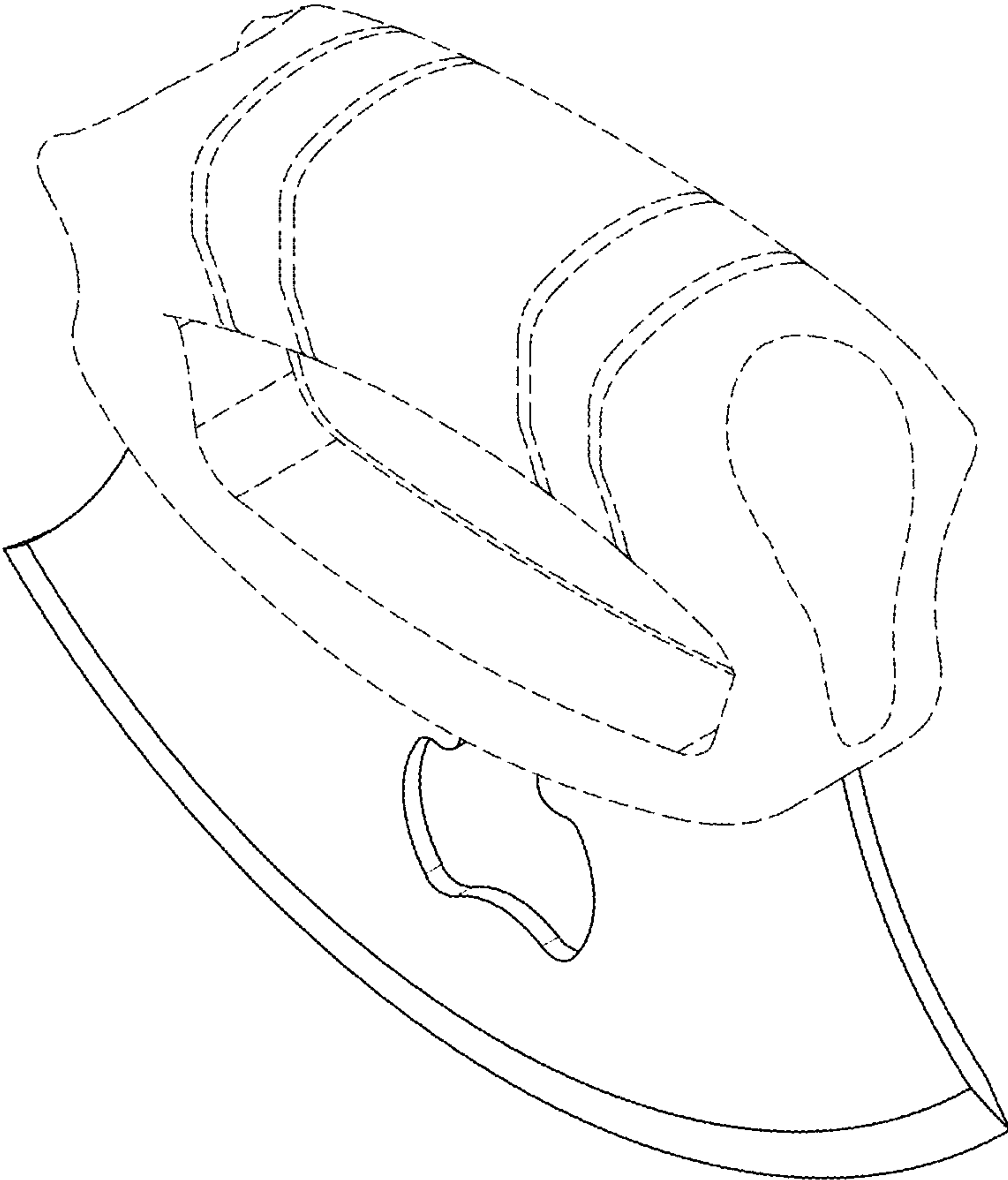


FIG. 2

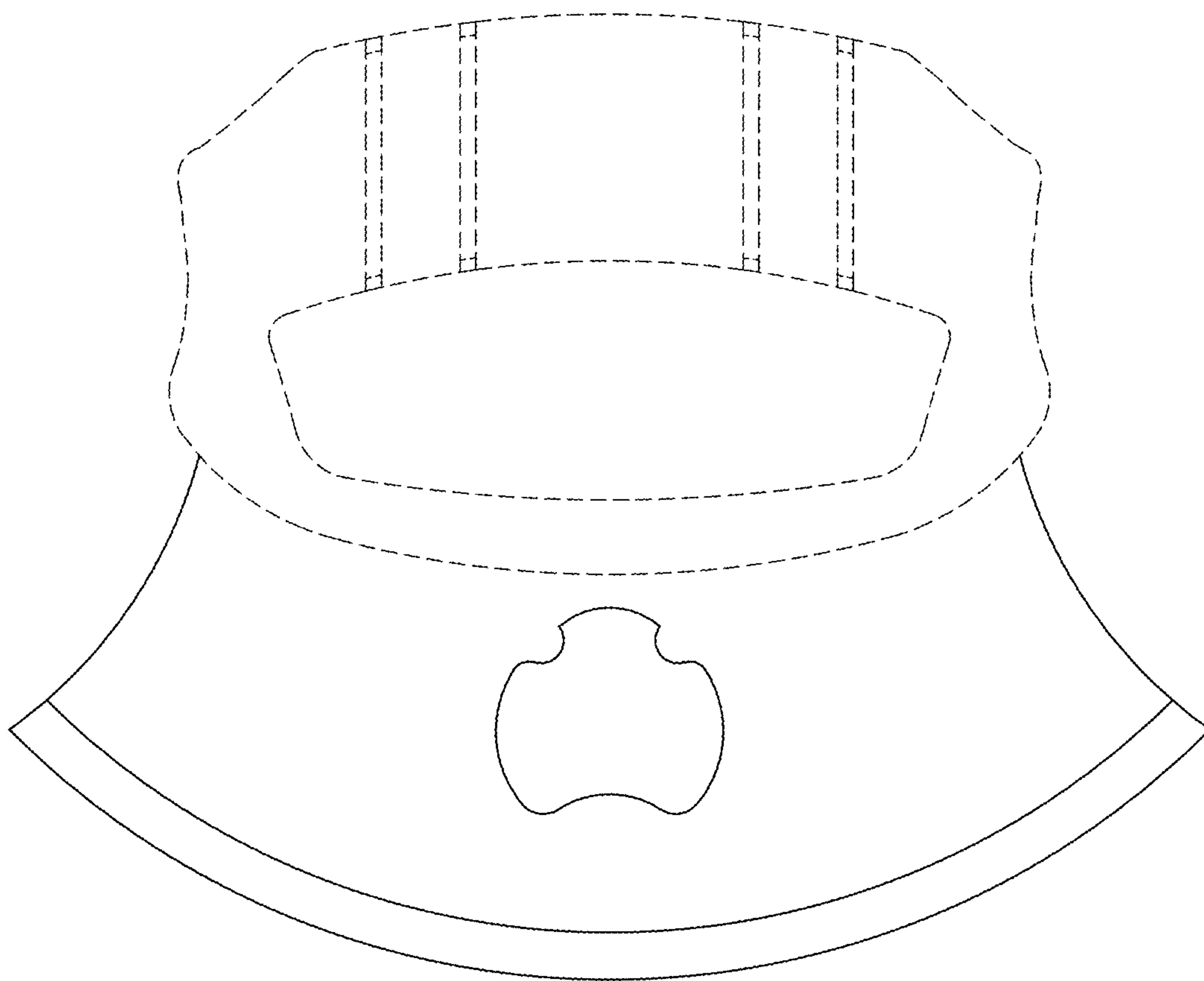


FIG. 3

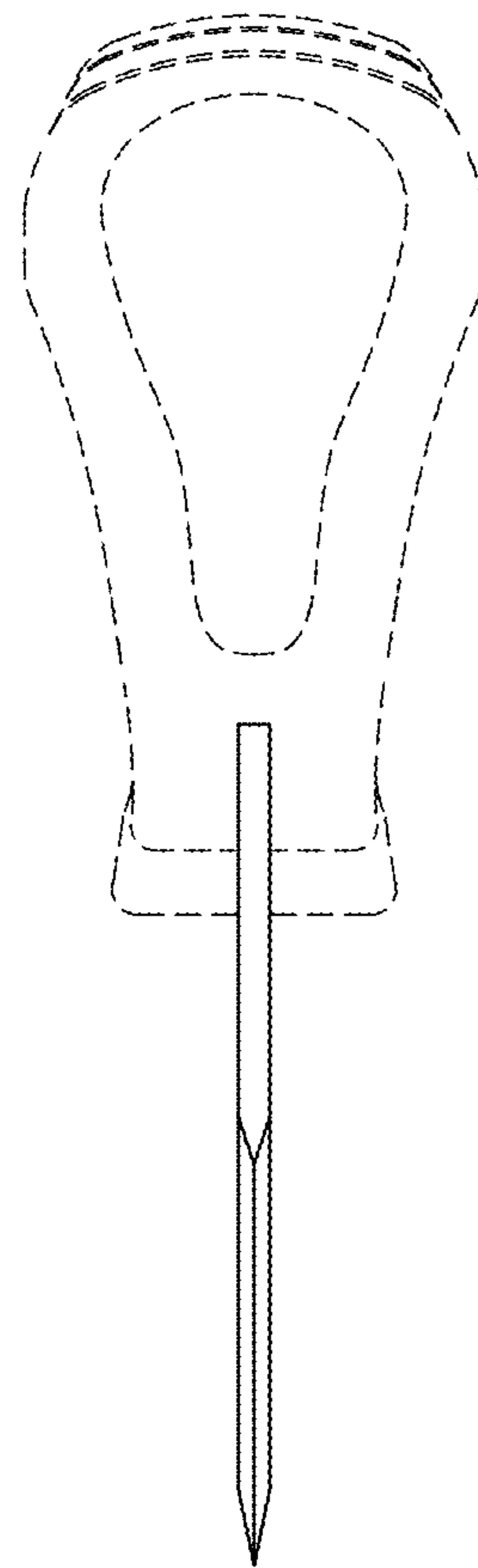


FIG. 4

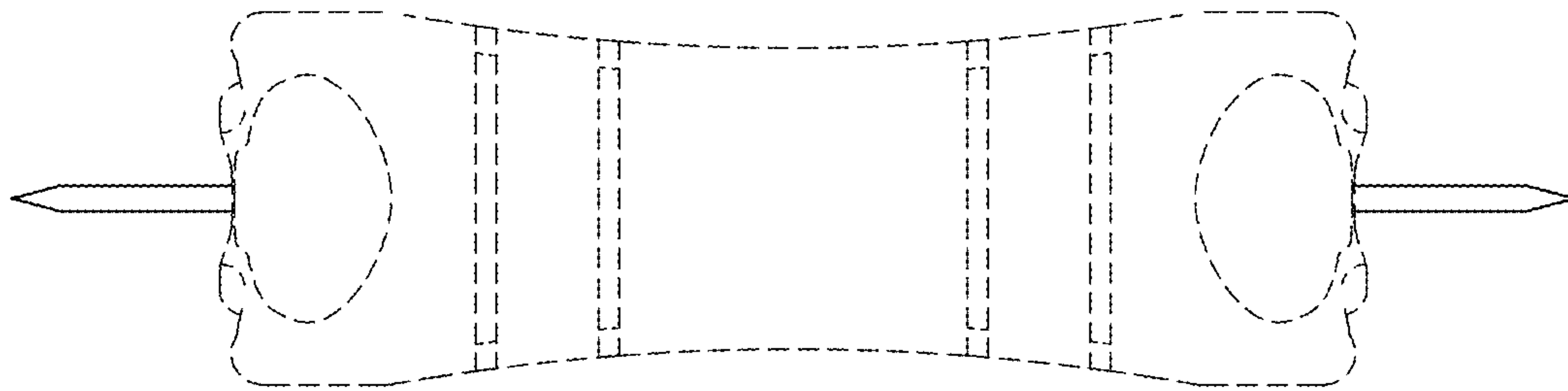


FIG. 5

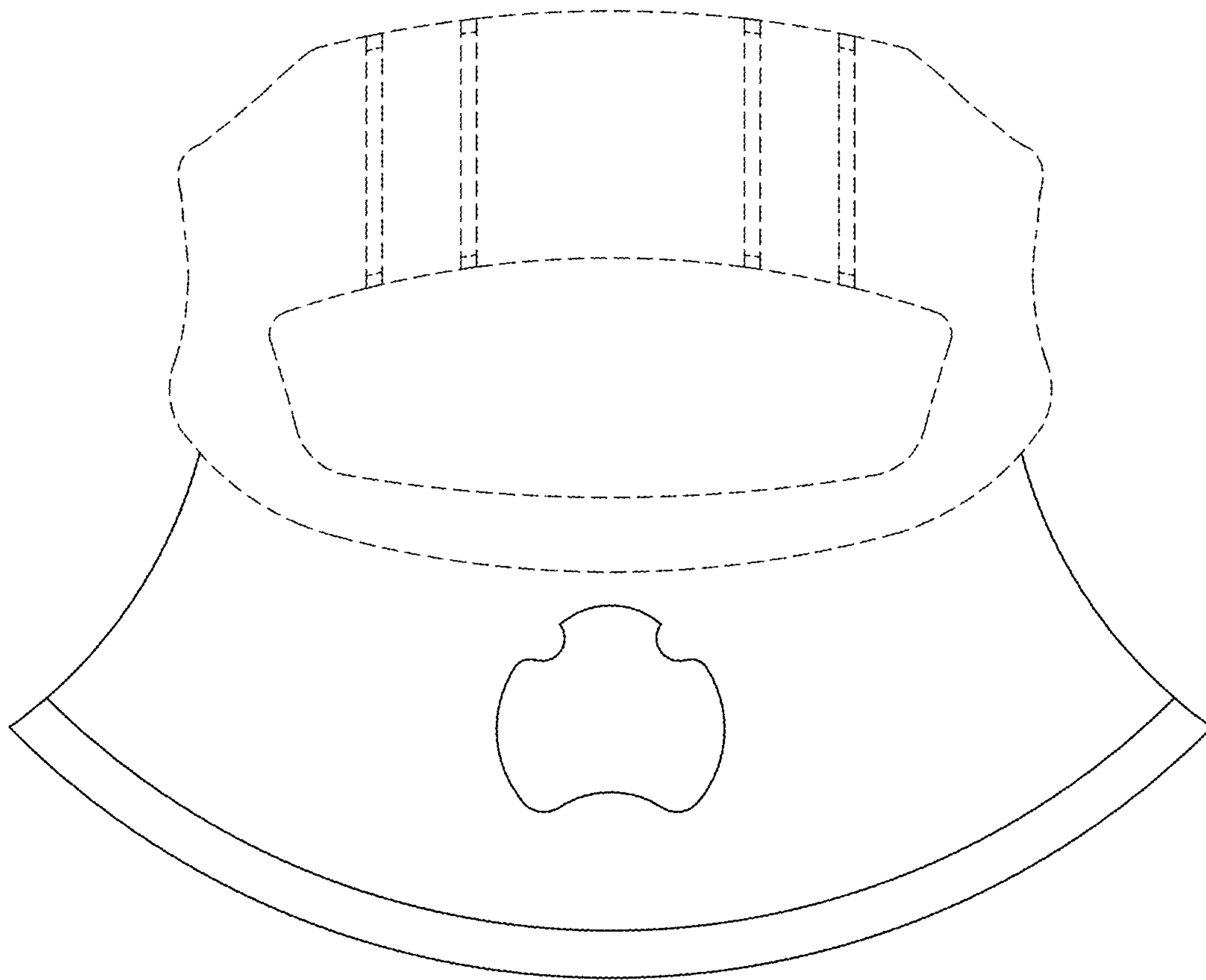


FIG. 6

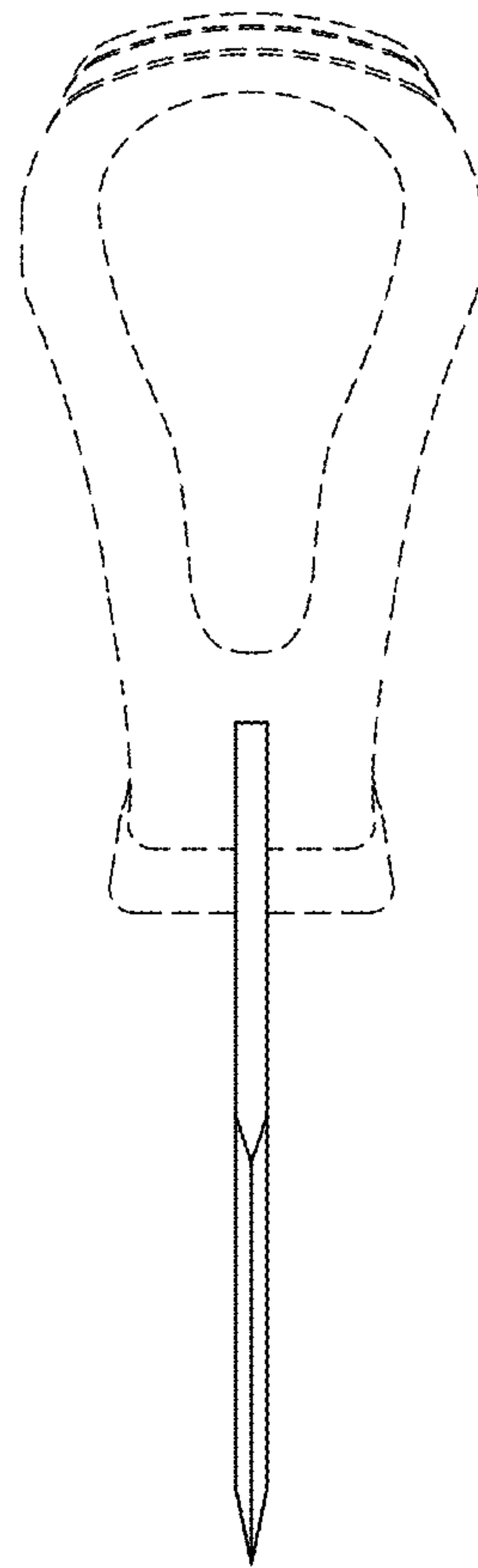




FIG. 7

