



US00D938244S

(12) **United States Design Patent**
Zhan

(10) **Patent No.:** **US D938,244 S**

(45) **Date of Patent:** **** Dec. 14, 2021**

- (54) **TOOL FOR HANGING PICTURES**
- (71) Applicant: **Jinhua Wanfeng Tools Factory, Jinhua (CN)**
- (72) Inventor: **Hui Zhan, Jinhua (CN)**
- (**) Term: **15 Years**
- (21) Appl. No.: **29/766,717**
- (22) Filed: **Jan. 18, 2021**
- (51) **LOC (13) Cl.** **10-04**
- (52) **U.S. Cl.**
USPC **D8/14; D10/69**
- (58) **Field of Classification Search**
USPC D10/65, 69; D8/14, 51
CPC .. A47G 1/24; A47G 2001/1693; A47G 1/205;
A47G 1/164; A47G 1/16
See application file for complete search history.

7,316,078	B2 *	1/2008	Hagman	A47G 1/205 248/544
8,672,286	B2 *	3/2014	Darre	A47G 1/164 248/477
10,441,098	B2 *	10/2019	Bruno	B25H 7/02
10,524,592	B2 *	1/2020	Sergyeenko	A47G 1/24
D891,124	S	7/2020	Zhou		
D893,891	S	8/2020	Lin		
D895,455	S *	9/2020	Hammond	D10/69
2002/0066199	A1 *	6/2002	Hanson	G01C 9/28 33/613
2013/0283625	A1 *	10/2013	Sullivan	G01C 9/28 33/371
2015/0144756	A1 *	5/2015	Miller	A47G 1/1633 248/231.91

* cited by examiner

Primary Examiner — Philip S Hyder

(57) **CLAIM**

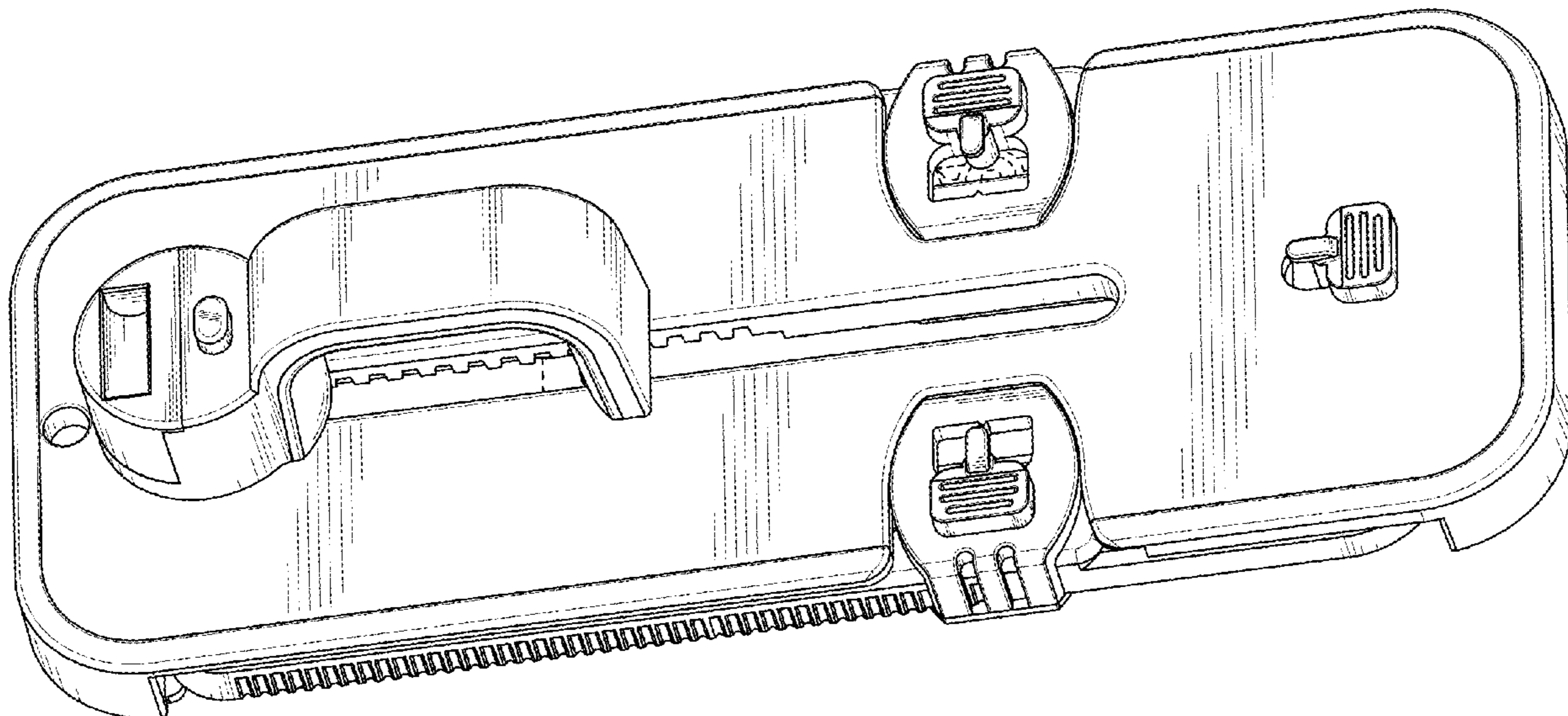
The ornamental design for a tool for hanging pictures, as shown and described.

DESCRIPTION

FIG. 1 is a perspective view of a tool for hanging pictures showing my new design;
 FIG. 2 is a front view thereof;
 FIG. 3 is a rear view thereof;
 FIG. 4 is a left side view thereof;
 FIG. 5 is a right side view thereof;
 FIG. 6 is a top plan view thereof; and,
 FIG. 7 is a bottom plan view thereof.
 The broken lines in the figures illustrate portions of the tool for hanging pictures that form part of the claimed design.

1 Claim, 7 Drawing Sheets

- (56) **References Cited**
U.S. PATENT DOCUMENTS
- 4,597,554 A * 7/1986 James A47G 1/1606
248/467
- D393,414 S * 4/1998 Bries D8/373
- 5,848,489 A * 12/1998 Hartley A47G 1/0616
40/713
- 6,049,991 A * 4/2000 Gruenberg A47G 1/205
33/403
- 6,978,551 B2 * 12/2005 Krake A47G 1/205
33/613
- 7,171,755 B1 * 2/2007 Arent A47G 1/16
33/194



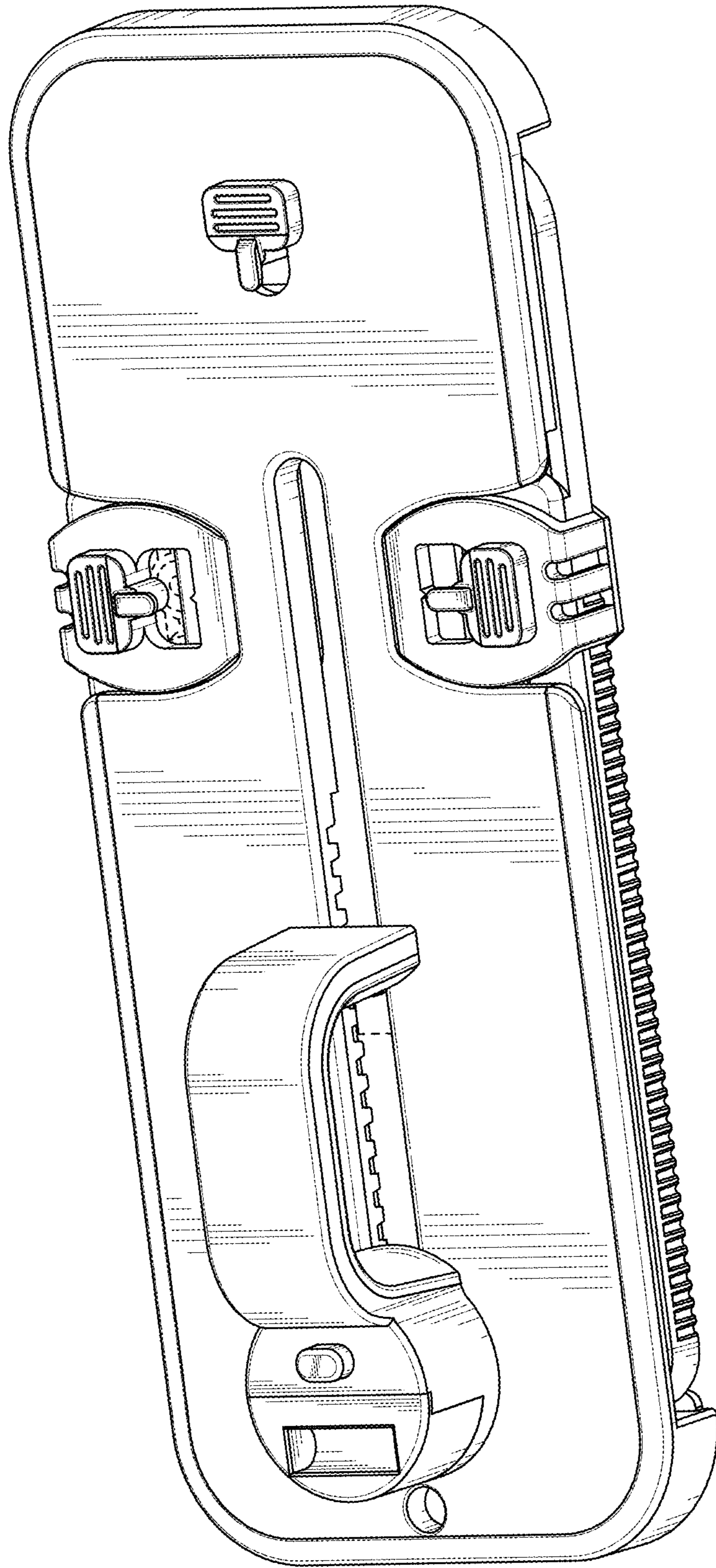


FIG. 1

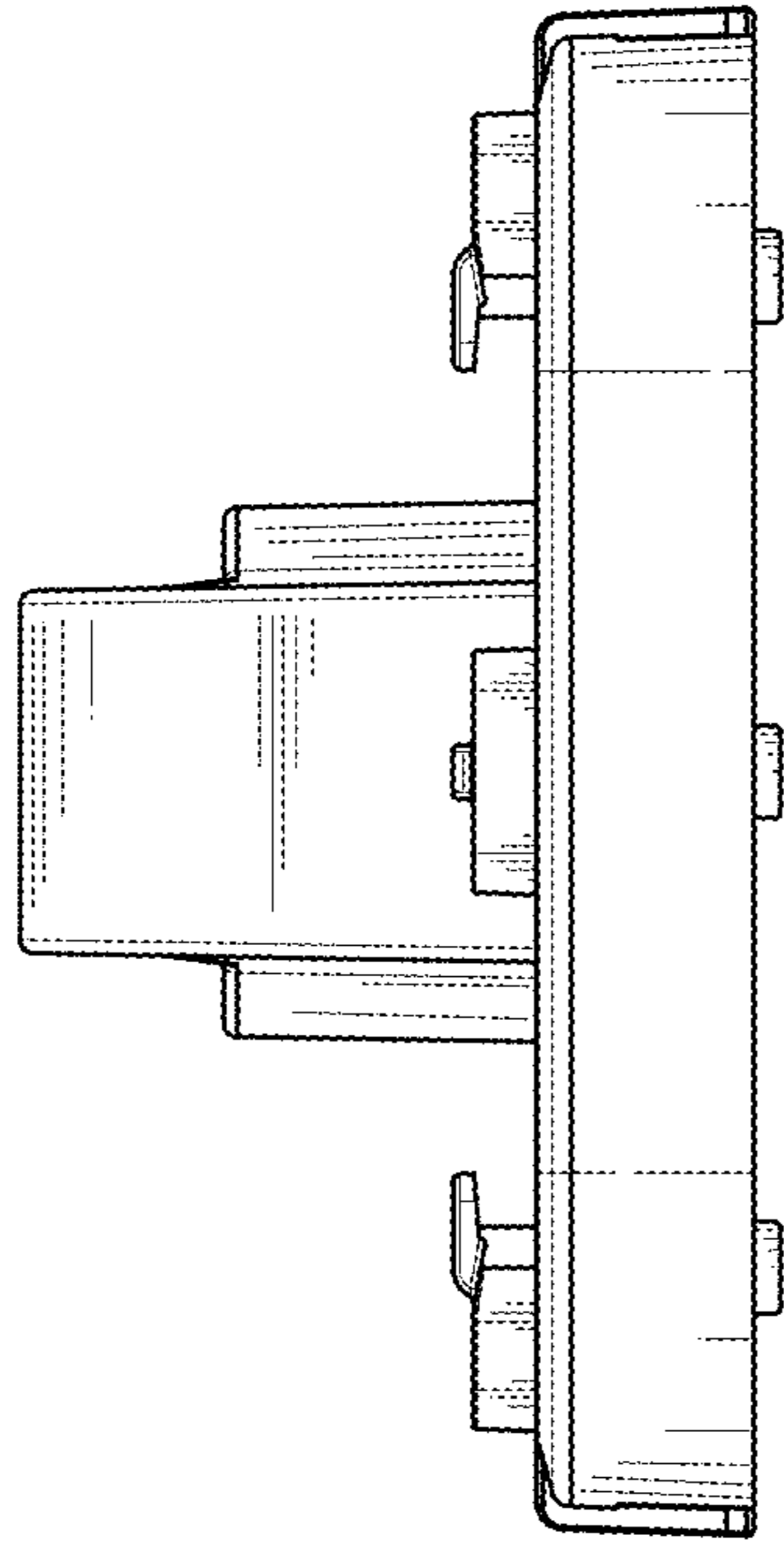


FIG. 2

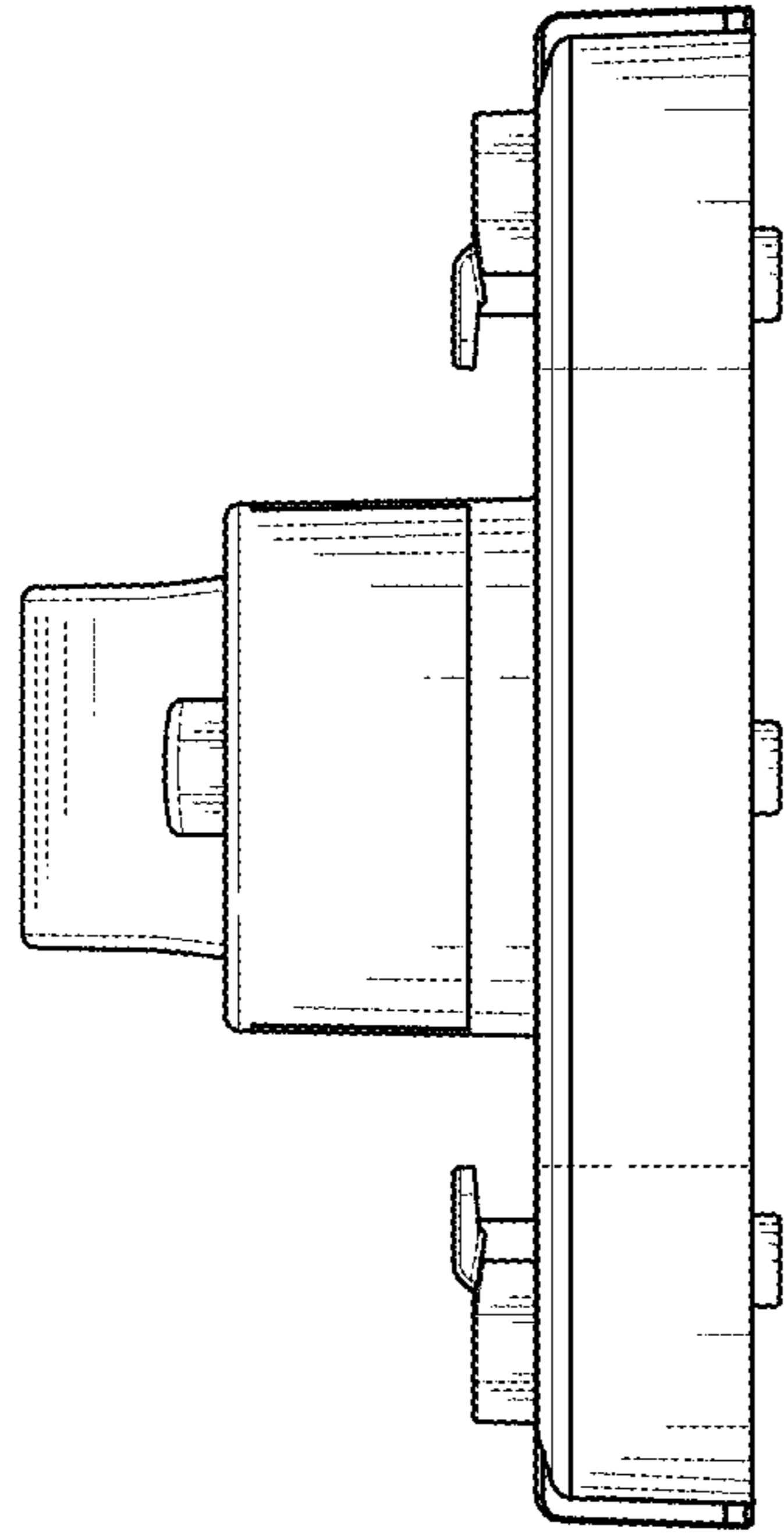


FIG. 3

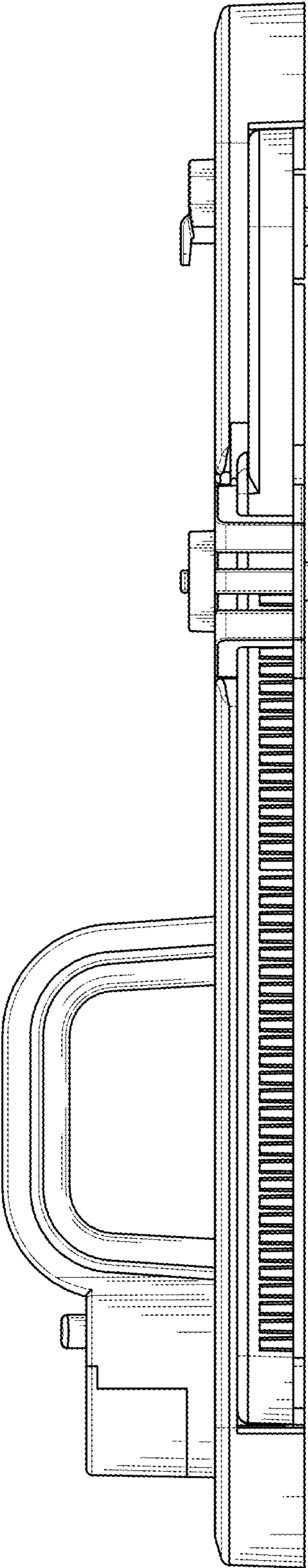


FIG. 4

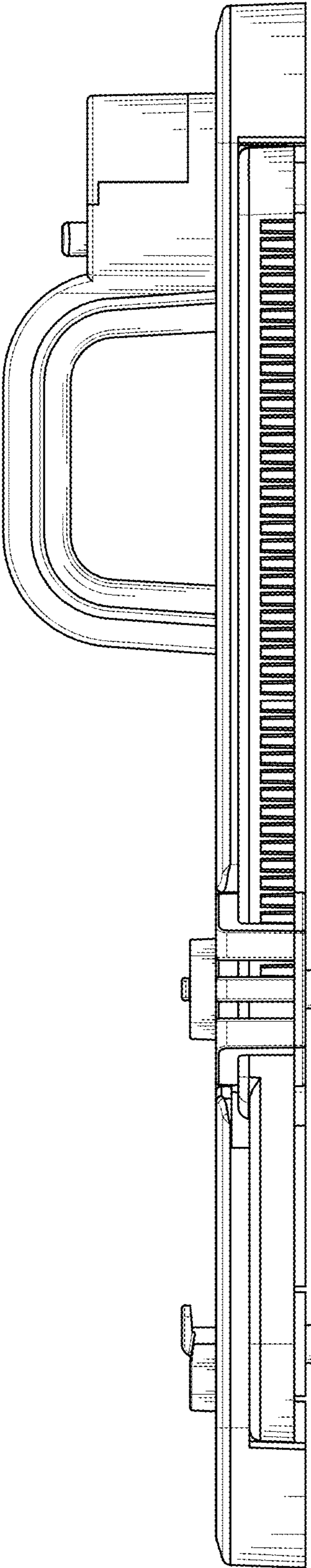


FIG. 5

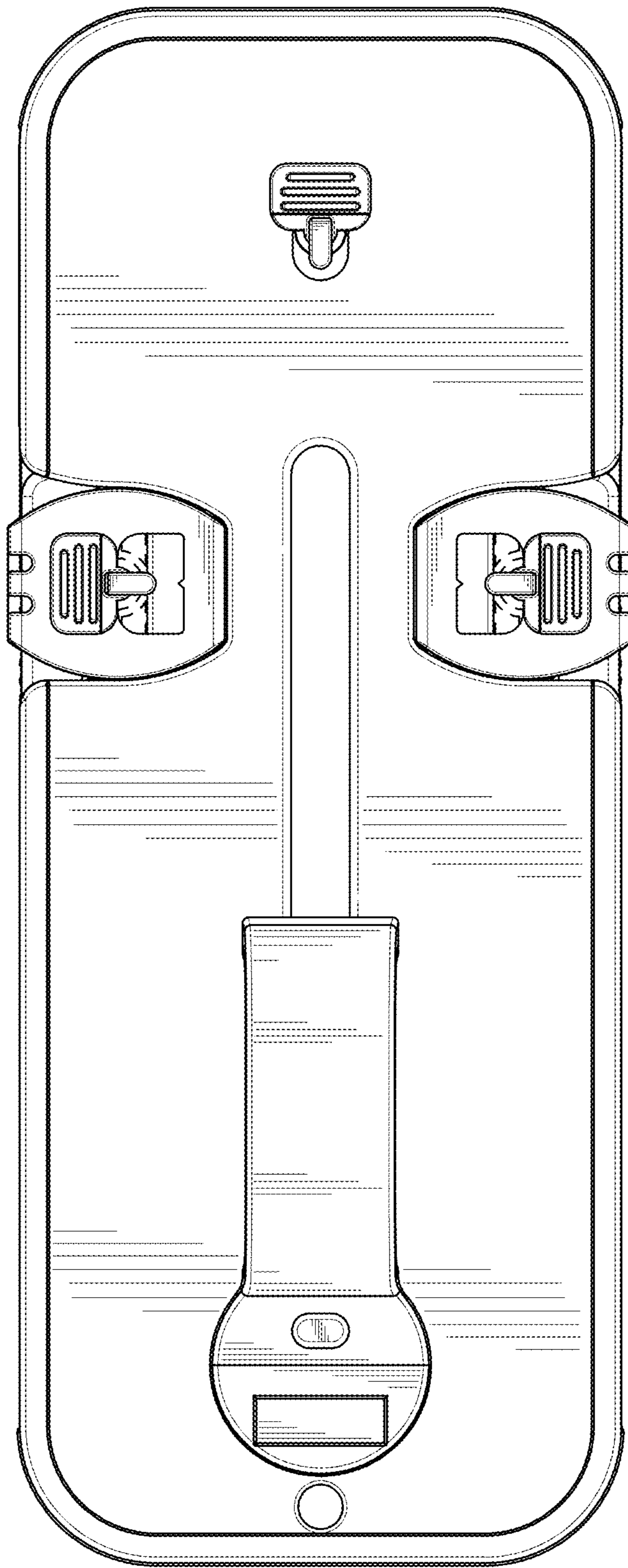


FIG. 6

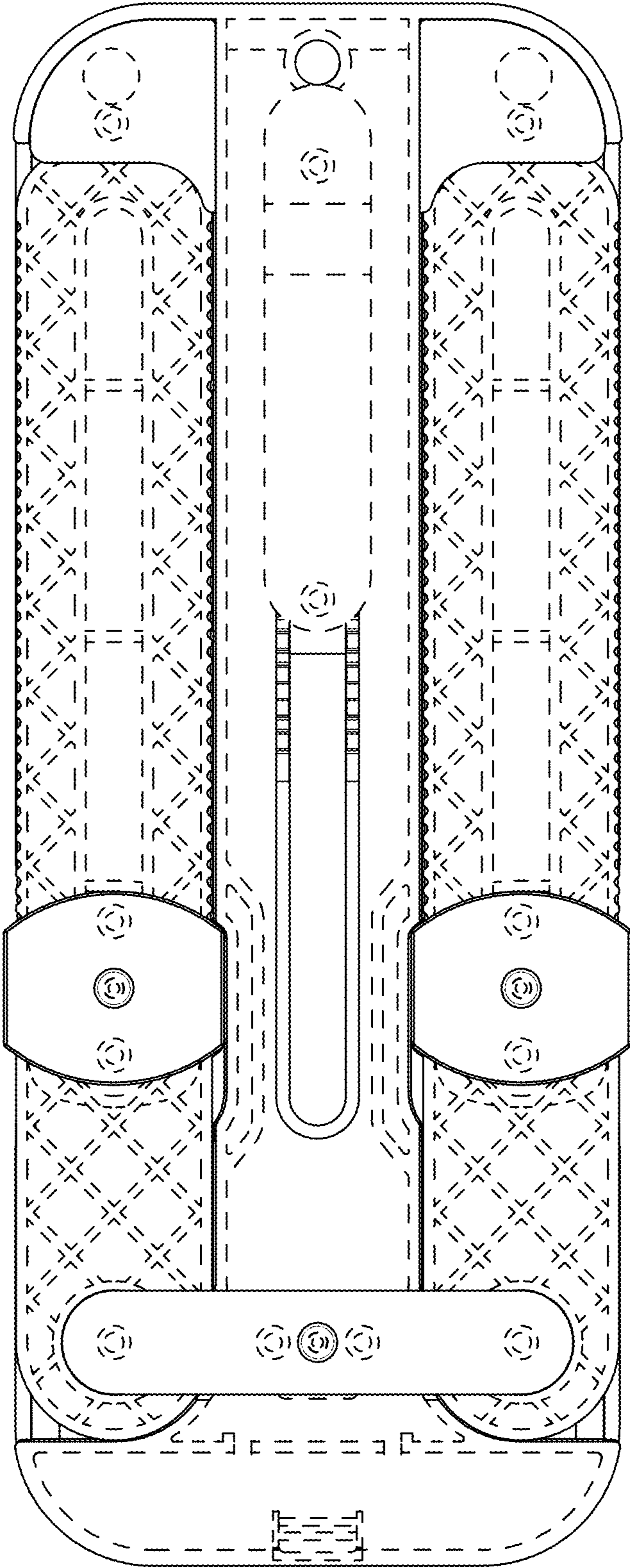


FIG. 7