



US00D938243S

(12) **United States Design Patent** (10) **Patent No.:** **US D938,243 S**
Murphy, Sr. (45) **Date of Patent:** **** Dec. 14, 2021**

(54) **MATERIAL REMOVAL TOOL**
(71) Applicant: **Raynard Murphy, Sr.**, Mobile, AL (US)
(72) Inventor: **Raynard Murphy, Sr.**, Mobile, AL (US)
(**) Term: **15 Years**
(21) Appl. No.: **29/743,712**
(22) Filed: **Jul. 23, 2020**
(51) **LOC (13) Cl.** **08-05**
(52) **U.S. Cl.**
USPC **D8/14**
(58) **Field of Classification Search**
USPC D8/14, 45, 98; D32/46, 49; D7/649, D7/650, 651
CPC B25B 33/00; A47L 13/08; A47L 17/06; A47J 43/288
See application file for complete search history.

D518,934 S * 4/2006 Williams D32/41
7,073,935 B2 7/2006 Liem
7,185,385 B2 * 3/2007 Kohler A45D 34/04
132/320
D550,417 S * 9/2007 Froeschl D32/49
D570,063 S * 5/2008 Manak D32/49
D587,537 S * 3/2009 Vendl D7/688
7,603,740 B2 10/2009 Goldsberry
D606,372 S * 12/2009 Gorskey D7/688
D617,967 S * 6/2010 Lambert D32/46
D632,142 S * 2/2011 Lu D7/688
D914,467 S * 3/2021 Xie D7/688
2008/0078049 A1 4/2008 Fruhm et al.

* cited by examiner

Primary Examiner — Philip S Hyder
(74) *Attorney, Agent, or Firm* — Barclay Damon LLP

(57) **CLAIM**

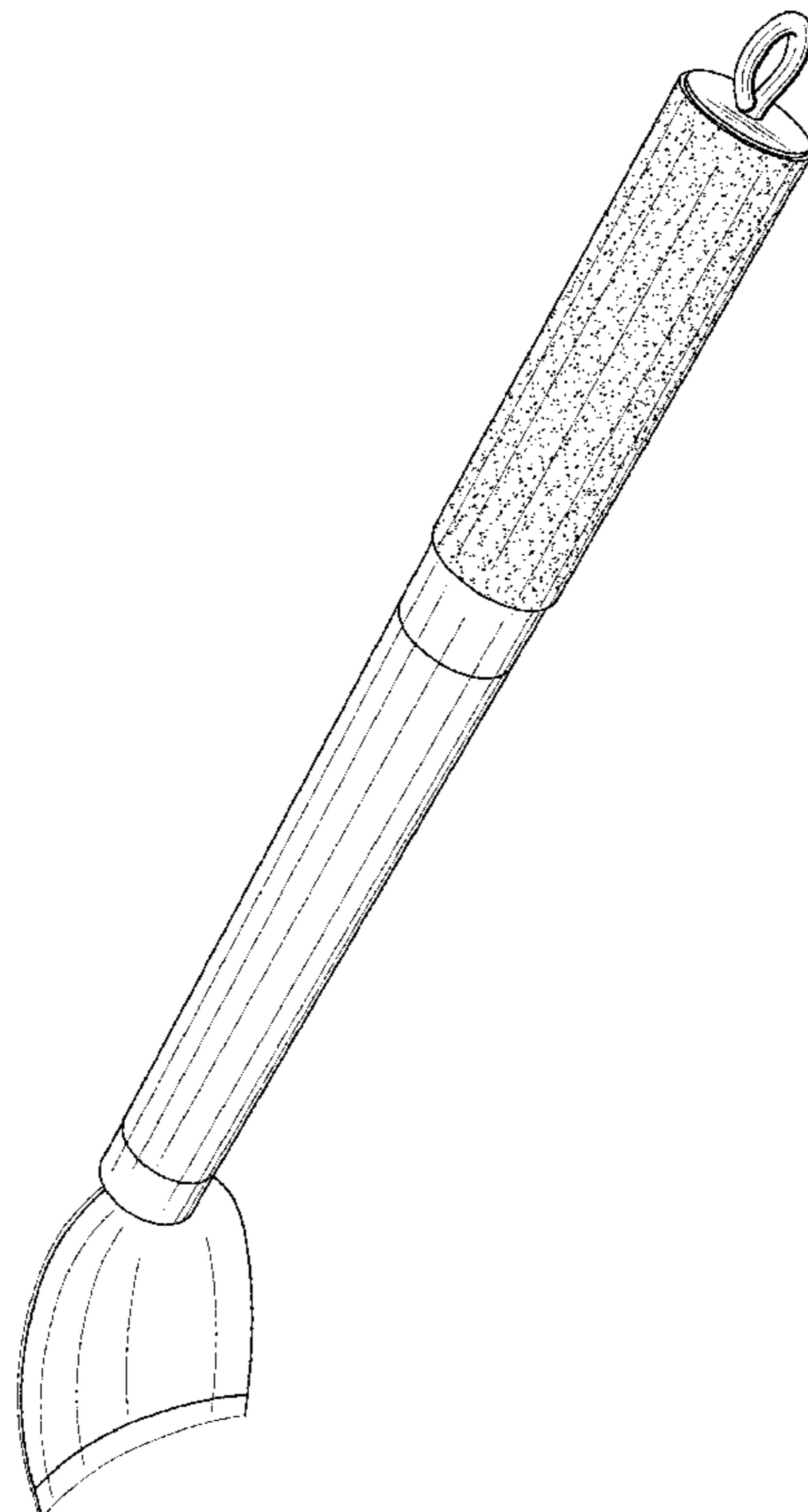
The ornamental design for a material removal tool, as shown and described.

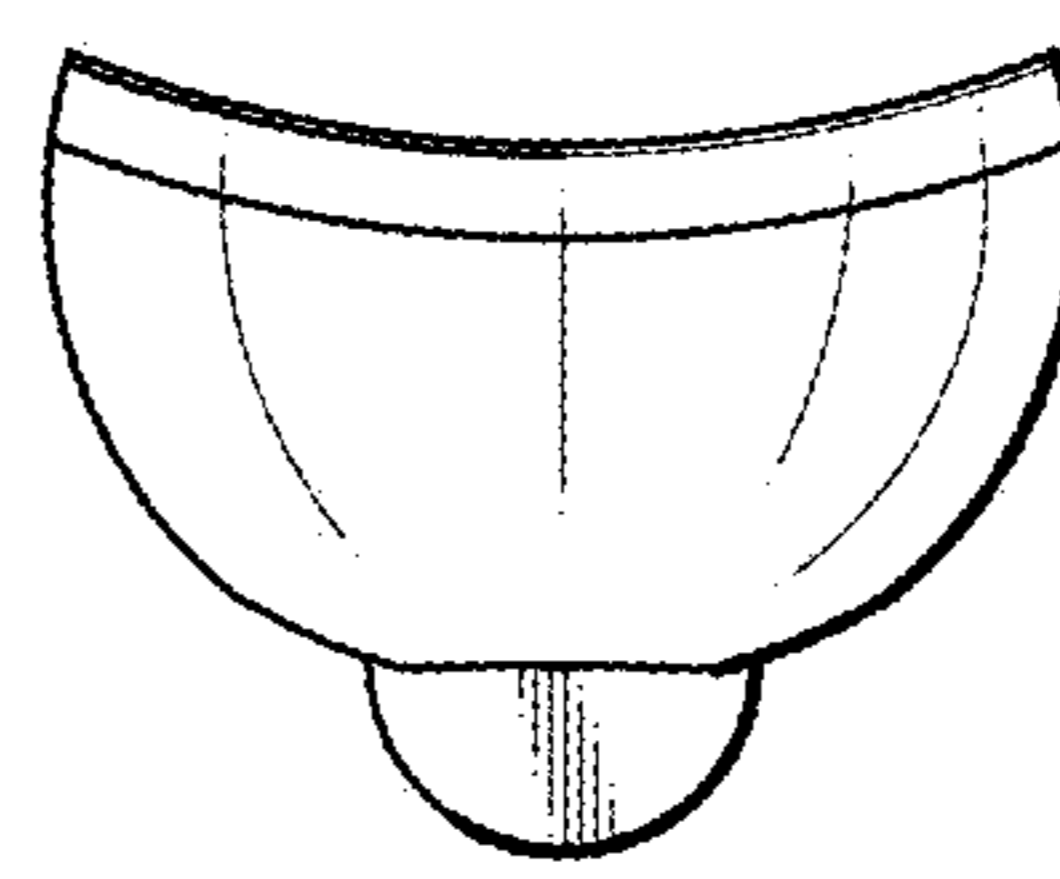
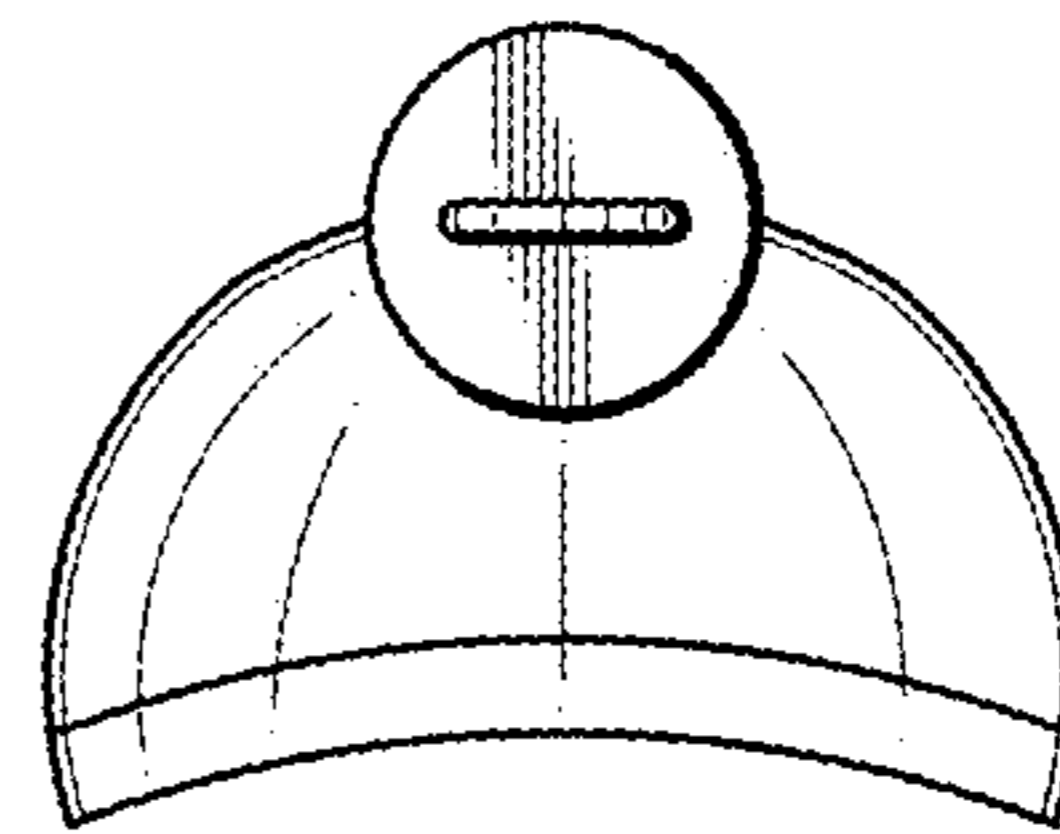
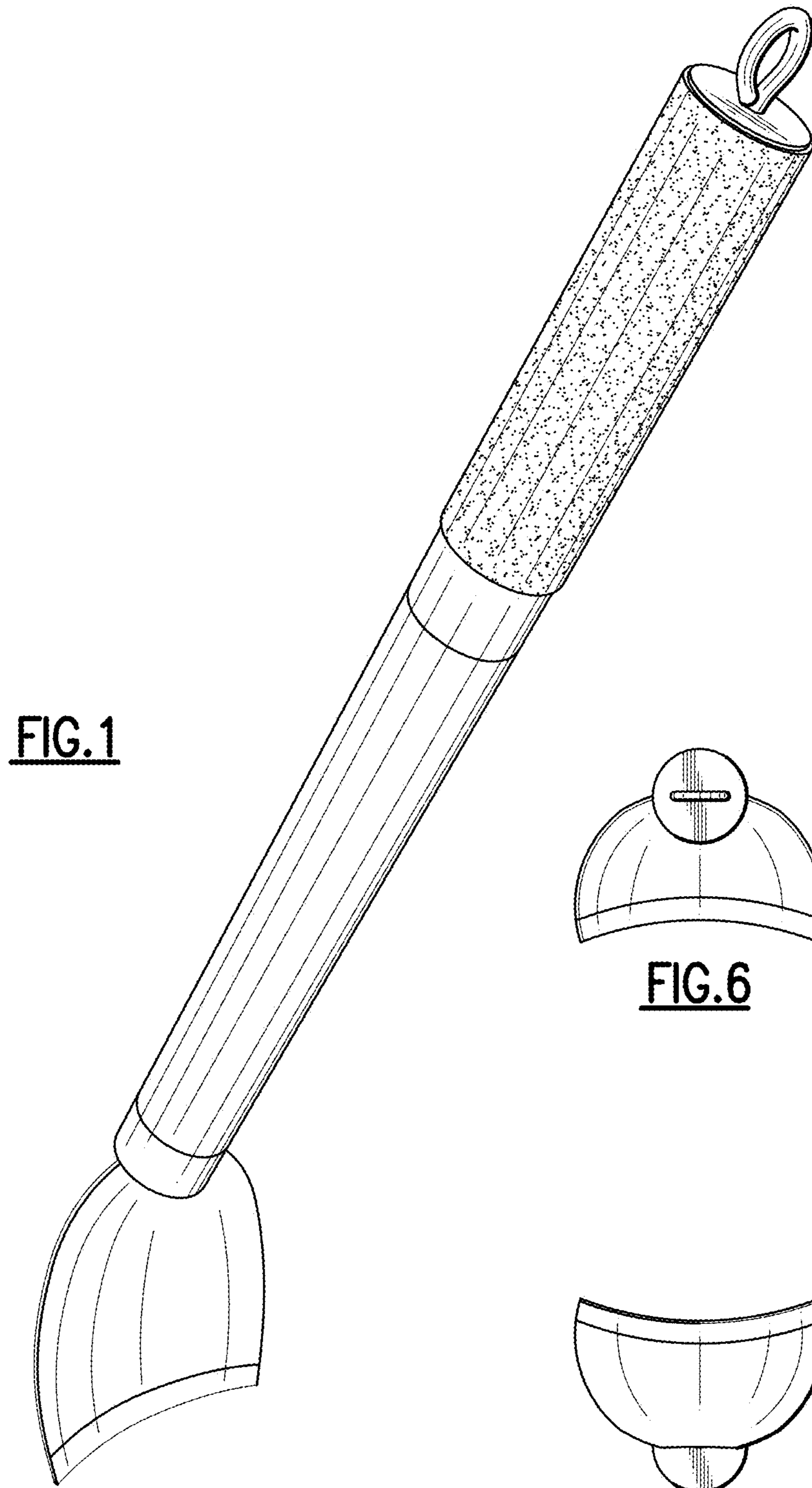
DESCRIPTION

FIG. 1 is a perspective view of the material removal tool in accordance with my design;
FIG. 2 is a left side view thereof;
FIG. 3 is a rear view thereof;
FIG. 4 is a right side view thereof;
FIG. 5 is a front view thereof;
FIG. 6 is a top plan view thereof; and,
FIG. 7 is a bottom plan view thereof.

1 Claim, 3 Drawing Sheets

(56) **References Cited**
U.S. PATENT DOCUMENTS
2,935,758 A 5/1960 Muscott
4,627,128 A 12/1986 Shea
5,491,868 A 2/1996 Baggenstos
D375,234 S * 11/1996 Jorgensen D7/688
5,875,515 A 3/1999 Dallas
D431,101 S * 9/2000 Gracy D32/49
D487,556 S * 3/2004 Siegel D7/688
6,766,885 B2 * 7/2004 Severinsson F16D 65/567
188/71.9





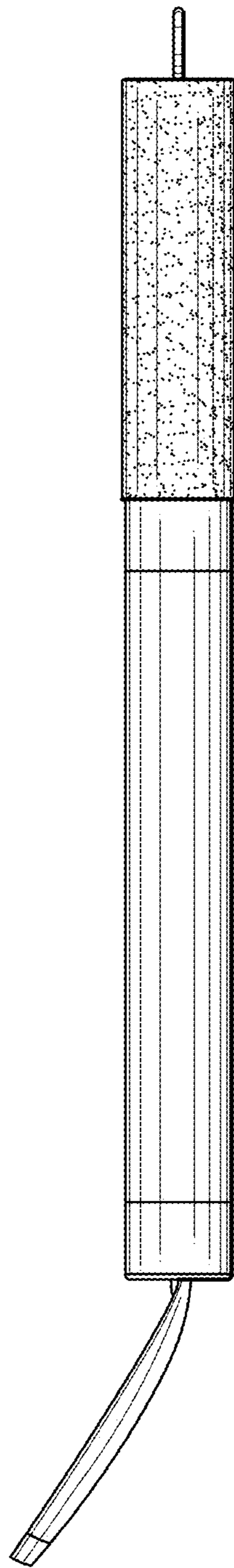


FIG. 2

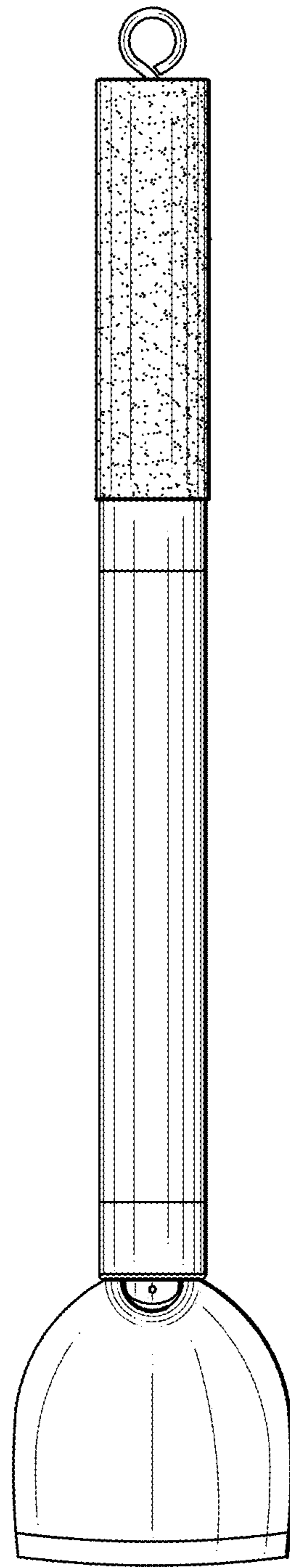


FIG. 3

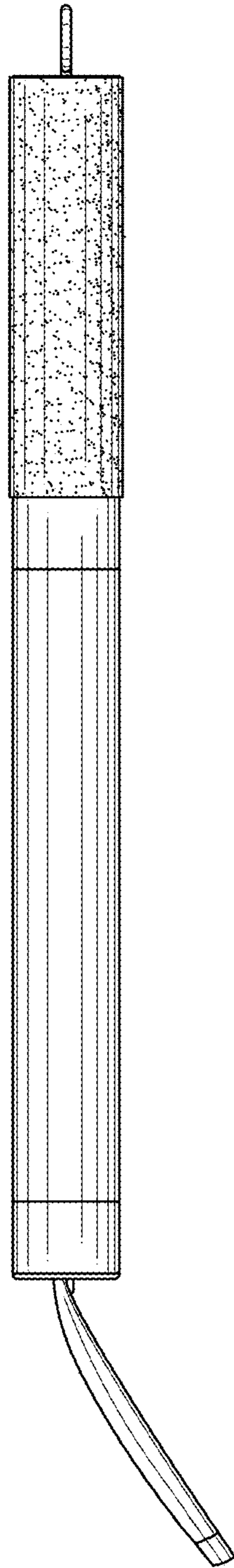


FIG. 4

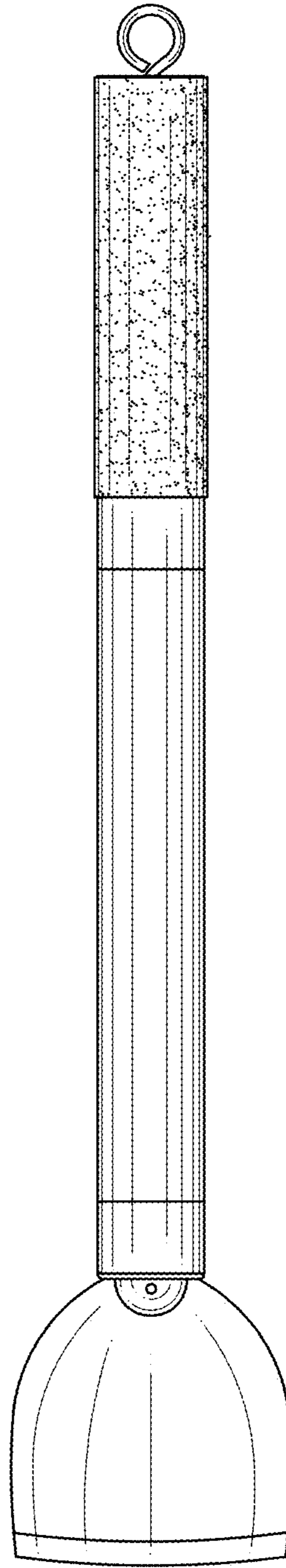


FIG. 5