



US00D938242S

(12) **United States Design Patent**
Goldstein et al.

(10) **Patent No.:** **US D938,242 S**

(45) **Date of Patent:** **** Dec. 14, 2021**

(54) **KEY CHAIN WITH A DOOR OPENING
HOOK AND STYLUS**

(71) Applicants: **Avraham Goldstein**, Flushing, NY
(US); **William Forrest Crocker, IV**,
Brooklyn, NY (US)

(72) Inventors: **Avraham Goldstein**, Flushing, NY
(US); **William Forrest Crocker, IV**,
Brooklyn, NY (US)

(**) Term: **15 Years**

(21) Appl. No.: **29/730,088**

(22) Filed: **Apr. 1, 2020**

(51) **LOC (13) Cl.** **08-05**

(52) **U.S. Cl.**
USPC **D8/14**

(58) **Field of Classification Search**
USPC D8/14, 17, 19, 105, 107, 300; D3/210;
D24/133
CPC . A45F 5/102; A45F 2005/1086; B65D 83/04;
F16B 45/00; A44B 15/00
See application file for complete search history.

(56) **References Cited**

U.S. PATENT DOCUMENTS

6,447,033 B1 * 9/2002 Konczak B65G 7/12
294/15
7,178,845 B1 * 2/2007 Metzger E05B 1/0053
294/169

D694,613 S * 12/2013 Miles D8/367
D792,922 S * 7/2017 Benson D17/22
D802,399 S * 11/2017 Ward D8/367
10,036,415 B2 * 7/2018 Yitzhaki A44B 15/00
D885,871 S * 6/2020 Adelman D8/356
D893,986 S * 8/2020 Adelman D8/367
10,882,178 B1 * 1/2021 Chang E05B 1/0053
D926,000 S * 7/2021 Ying D8/14
D926,539 S * 8/2021 Ying D8/14
D930,448 S * 9/2021 Parker D8/14
2019/0029405 A1 * 1/2019 Kolb F16B 45/00

* cited by examiner

Primary Examiner — Philip S Hyder

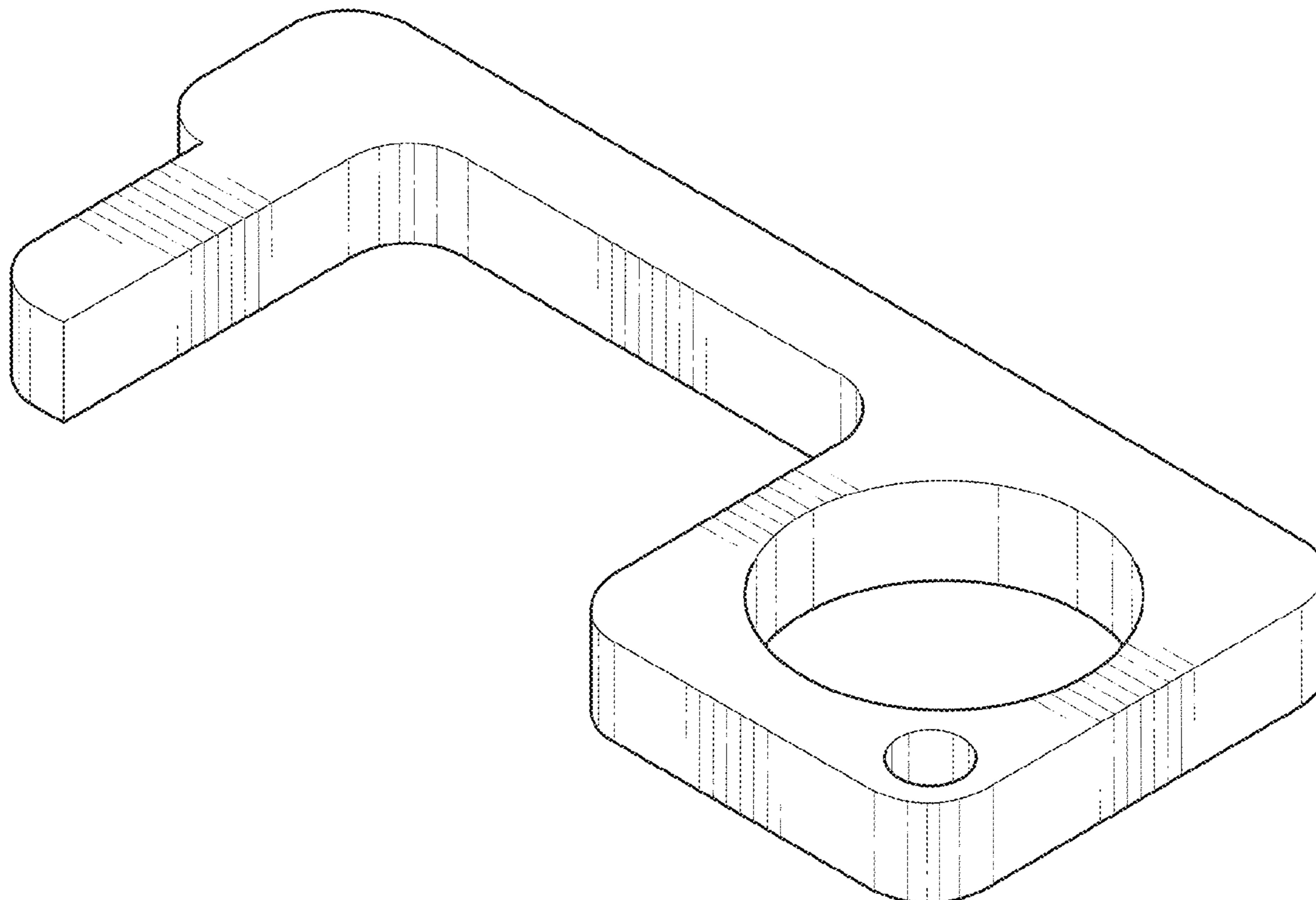
(57) **CLAIM**

We claim the ornamental design for a key chain with a door opening hook and stylus, as shown and described.

DESCRIPTION

FIG. 1 is an elevated perspective view of the key chain with a door opening hook and stylus, showing our claimed design;
FIG. 2 is a left side elevation view thereof;
FIG. 3 is a right side elevation view thereof;
FIG. 4 is a bottom plan view thereof;
FIG. 5 is a top plan view thereof;
FIG. 6 is a rear end elevation view thereof; and,
FIG. 7 is a front end elevation view thereof.

1 Claim, 4 Drawing Sheets



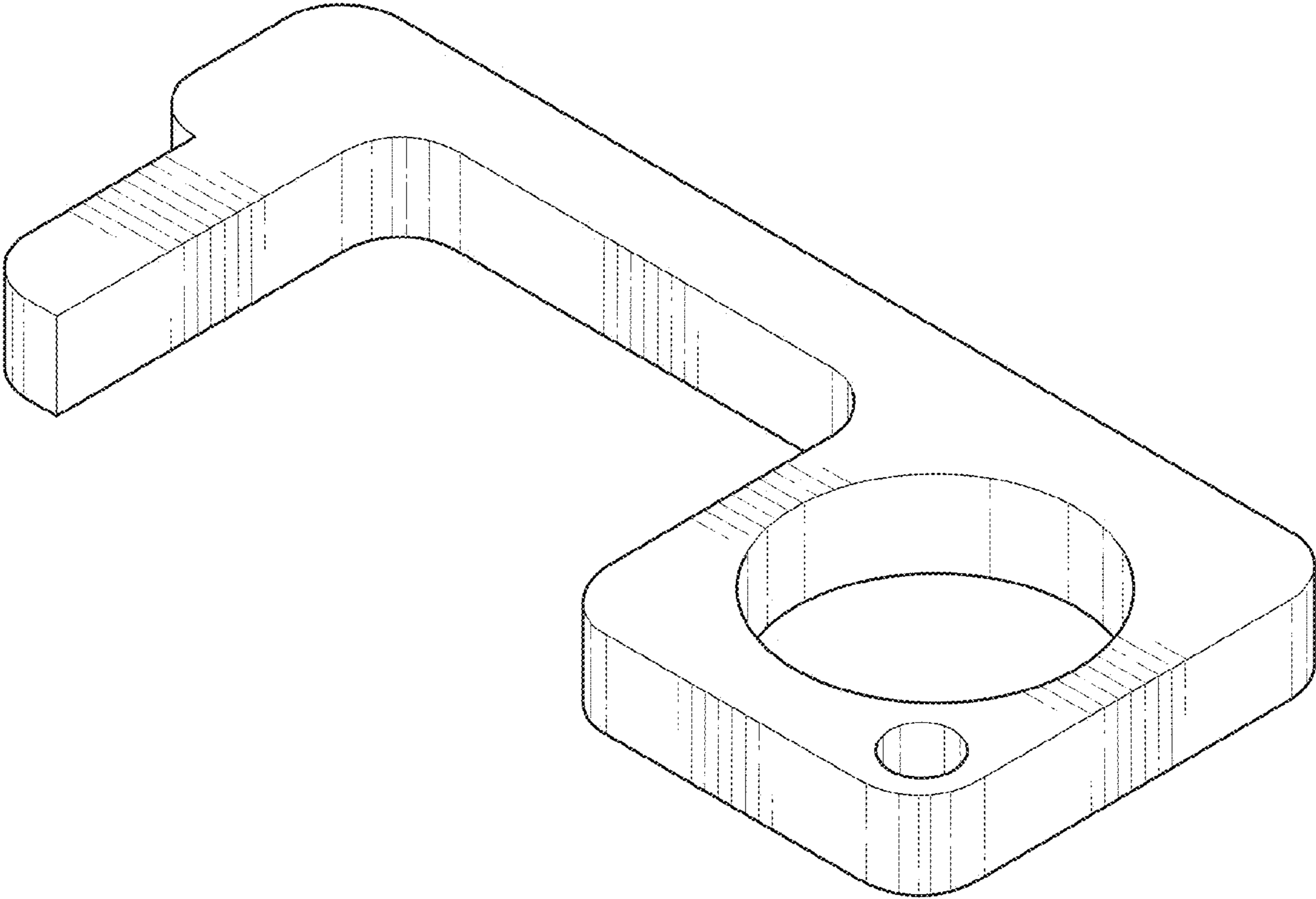


FIG. 1

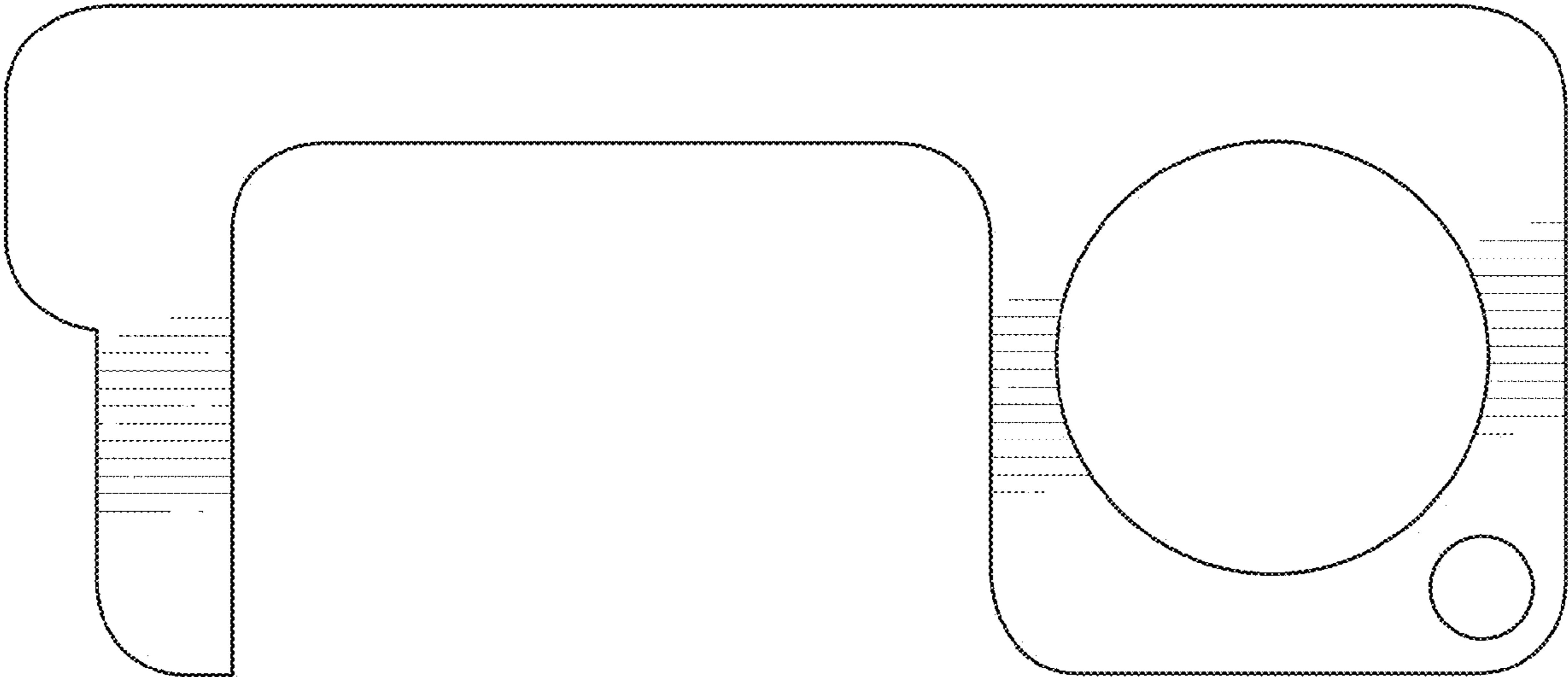


FIG. 2

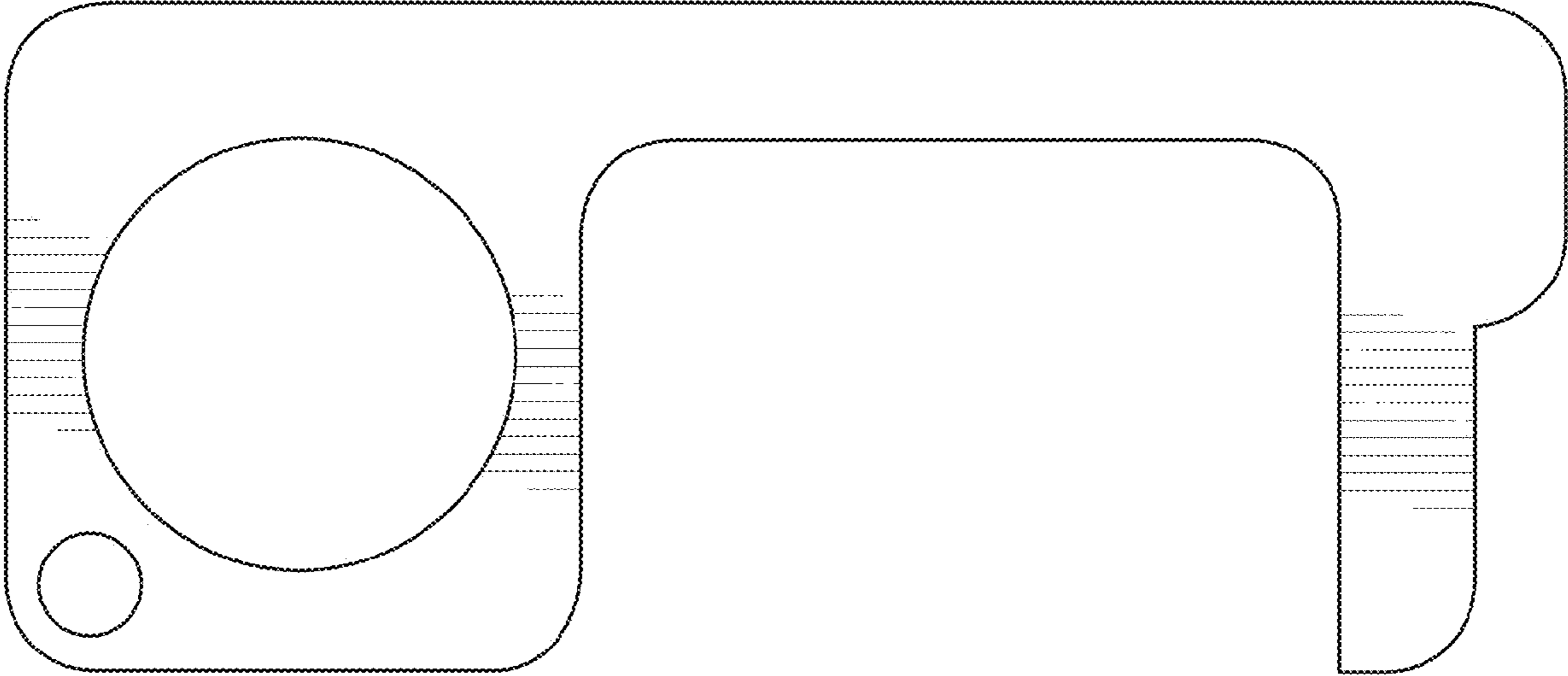


FIG. 3



FIG. 4

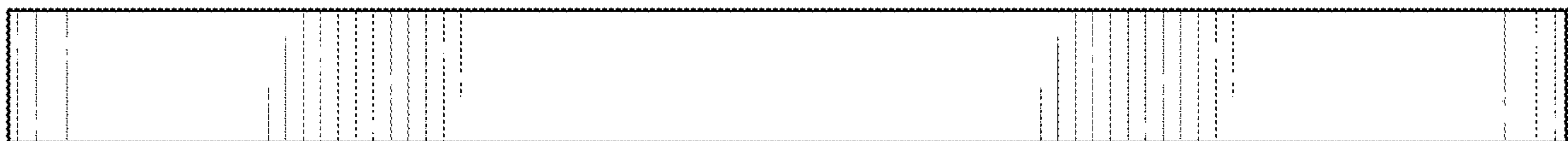


FIG. 5

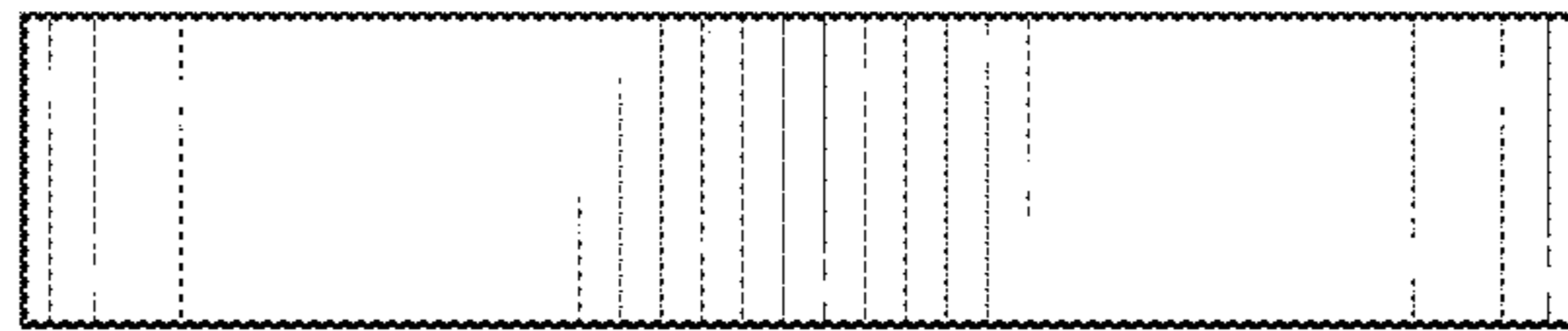


FIG. 6

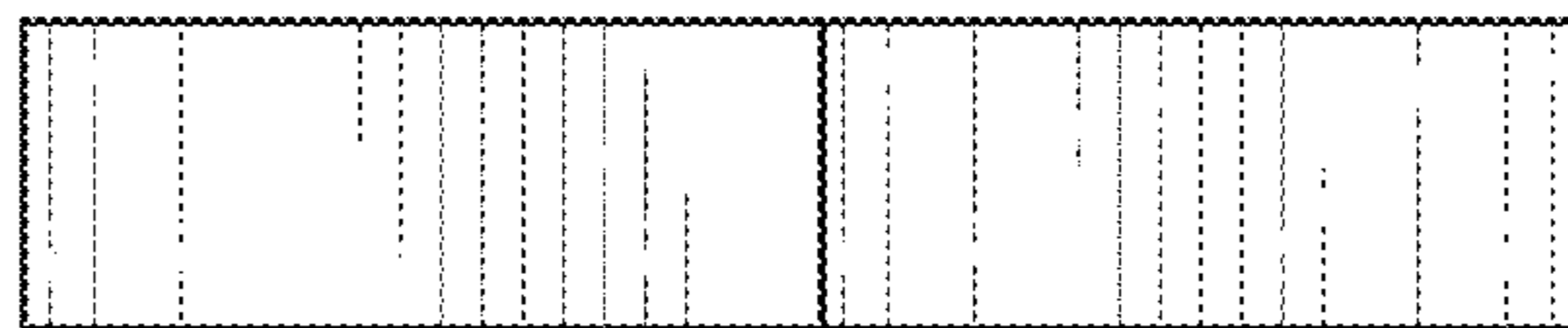


FIG. 7