



US00D938241S

(12) **United States Design Patent**  
**Phillips et al.**

(10) **Patent No.:** **US D938,241 S**

(45) **Date of Patent:** **\*\* Dec. 14, 2021**

(54) **SNOW SHOVEL SUPPORT**  
(71) Applicant: **Suncast Technologies, LLC**, Palm Beach Gardens, FL (US)  
(72) Inventors: **William J. Phillips**, Batavia, IL (US); **Michael Uffner**, Naperville, IL (US); **Torrence Anderson**, Overland Park, KS (US); **Stephen Whitehead**, Elgin, IL (US)

3,343,807 A \* 9/1967 Moraski ..... E01H 5/02  
254/131.5  
D294,233 S \* 2/1988 Myers ..... D8/10  
RE32,948 E \* 6/1989 Lapshansky ..... A01B 1/222  
294/51  
D361,482 S \* 8/1995 Fugal ..... D8/10  
D415,663 S \* 10/1999 Whitehead ..... D8/10  
D417,826 S \* 12/1999 Yacobi ..... D8/10  
D433,889 S \* 11/2000 Spear ..... D8/10

(Continued)

(73) Assignee: **Suncast Technologies, LLC**, Palm Beach Gardens, FL (US)

(\*\*) Term: **15 Years**

(21) Appl. No.: **29/731,600**

(22) Filed: **Apr. 16, 2020**

(51) **LOC (13) Cl.** ..... **08-01**

(52) **U.S. Cl.**  
USPC ..... **D8/10**

(58) **Field of Classification Search**  
USPC ..... D8/1, 10  
CPC .... E01H 5/00; E01H 5/02; A01B 1/02; A01B 1/022; A01B 1/026; A01B 1/22; A01B 15/02

See application file for complete search history.

(56) **References Cited**

**U.S. PATENT DOCUMENTS**

841,848 A \* 1/1907 Conner ..... A01B 1/08  
172/381  
853,171 A \* 5/1907 Healy et al. .... E01H 5/02  
37/266  
1,514,076 A \* 11/1924 Brown ..... E01H 5/02  
37/266  
2,239,297 A \* 4/1941 Allen ..... E01H 5/02  
294/51  
3,328,067 A \* 6/1967 Winkler ..... E01H 5/02  
294/54.5

**OTHER PUBLICATIONS**

Suncast 36" Pusher Snow Shovel, Retrieved on May 22, 2021 (online), Earliest review date: 5 months prior to retrieval date; approximately Dec. 2020, <<https://www.costco.com/suncast-36%22-pusher-snow-shovel-.product.100718003.html>>.\*

(Continued)

*Primary Examiner* — Holly E Thurman

*Assistant Examiner* — Ieisha N Price

(74) *Attorney, Agent, or Firm* — McHale & Slavin, P.A.

(57) **CLAIM**

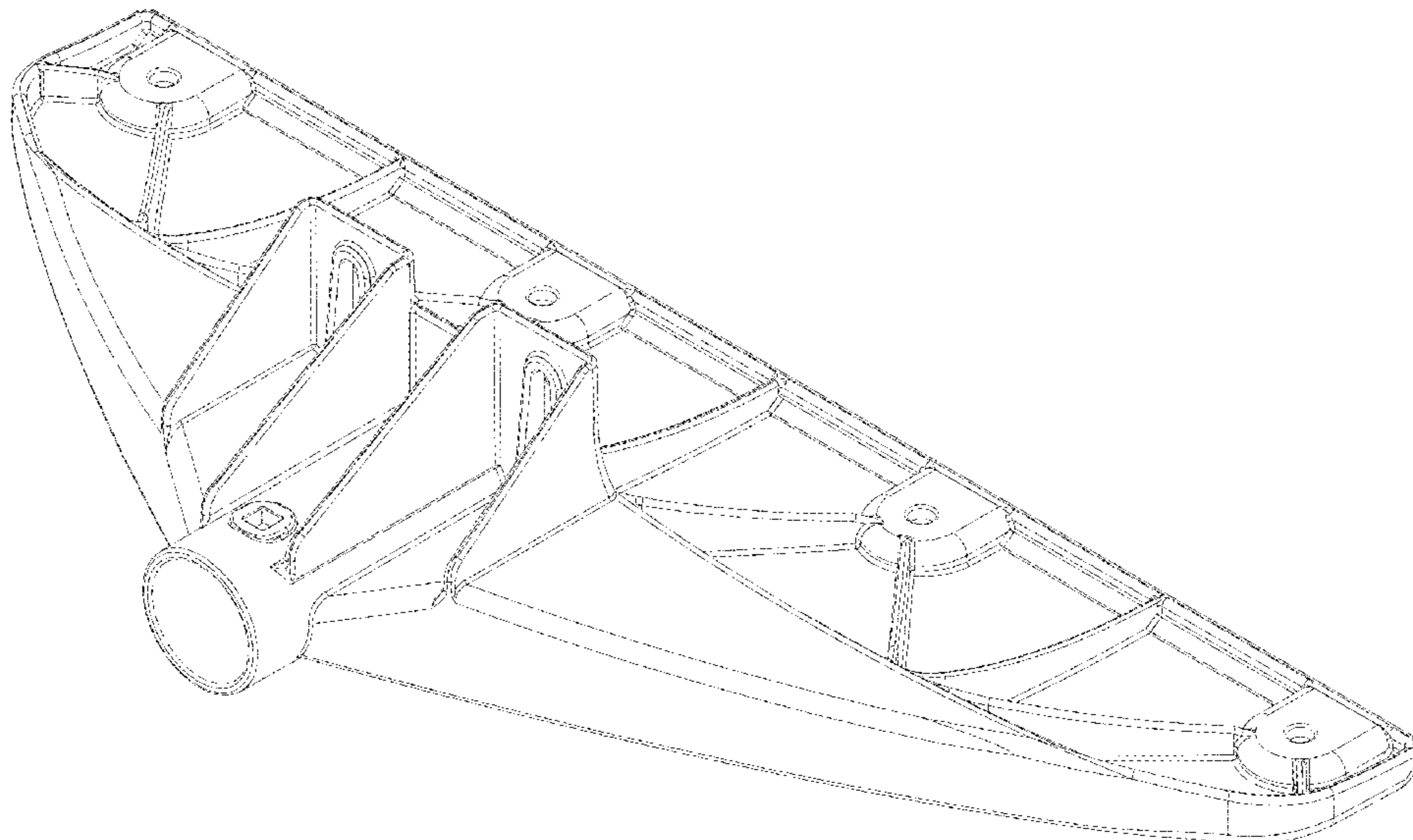
The ornamental design for a snow shovel support, as shown and described.

**DESCRIPTION**

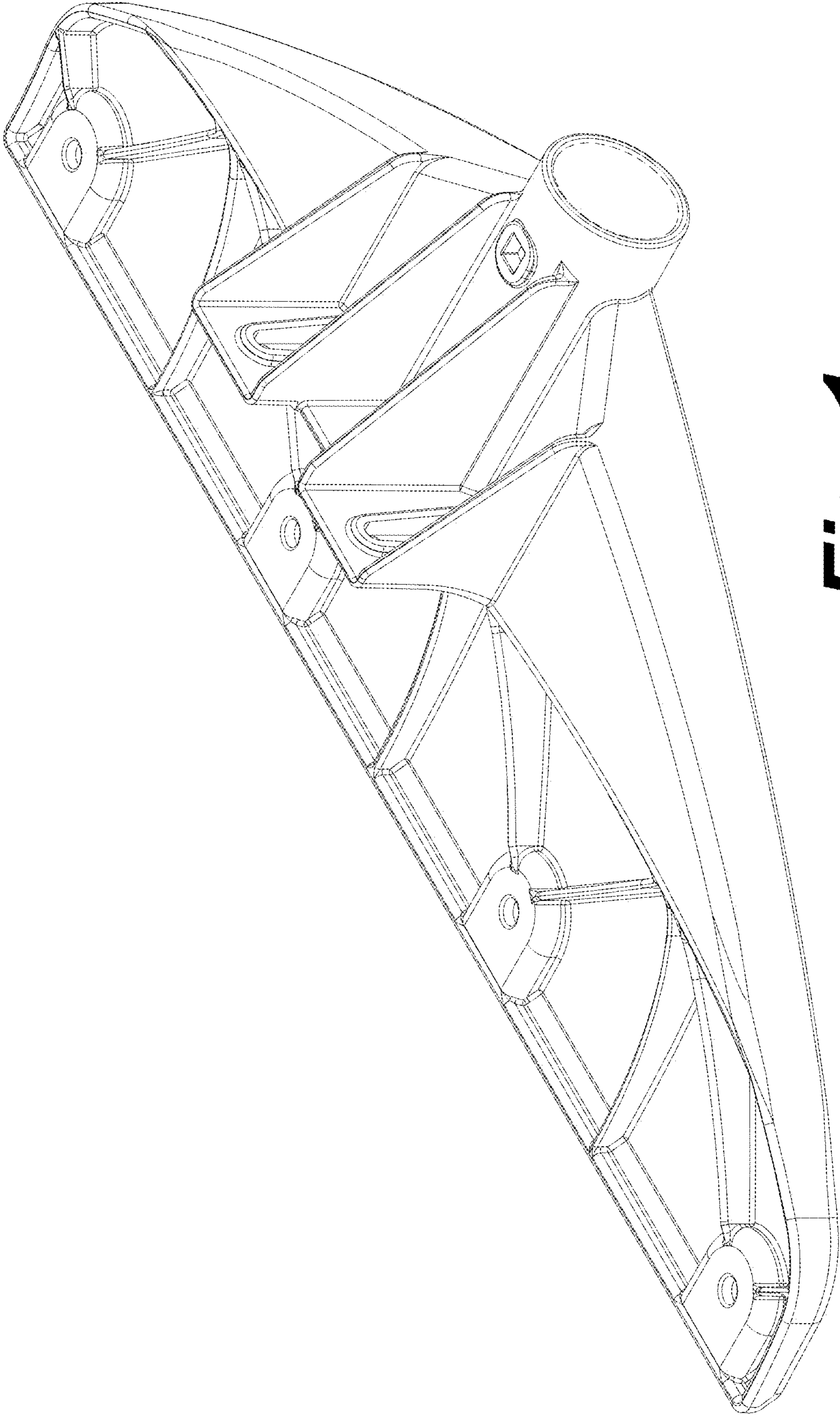
FIG. 1 is a top front left perspective view of the snow shovel support of the present invention;  
FIG. 2 is a top front right perspective view of the snow shovel support of the present invention;  
FIG. 3 is a left side view thereof;  
FIG. 4 is a right side view thereof;  
FIG. 5 is a front view thereof;  
FIG. 6 is a rear view thereof;  
FIG. 7 is a top view thereof; and,  
FIG. 8 is a bottom view thereof.

The broken lines in the drawings illustrate portions of the snow shovel support and form no part of the claimed design.

**1 Claim, 7 Drawing Sheets**

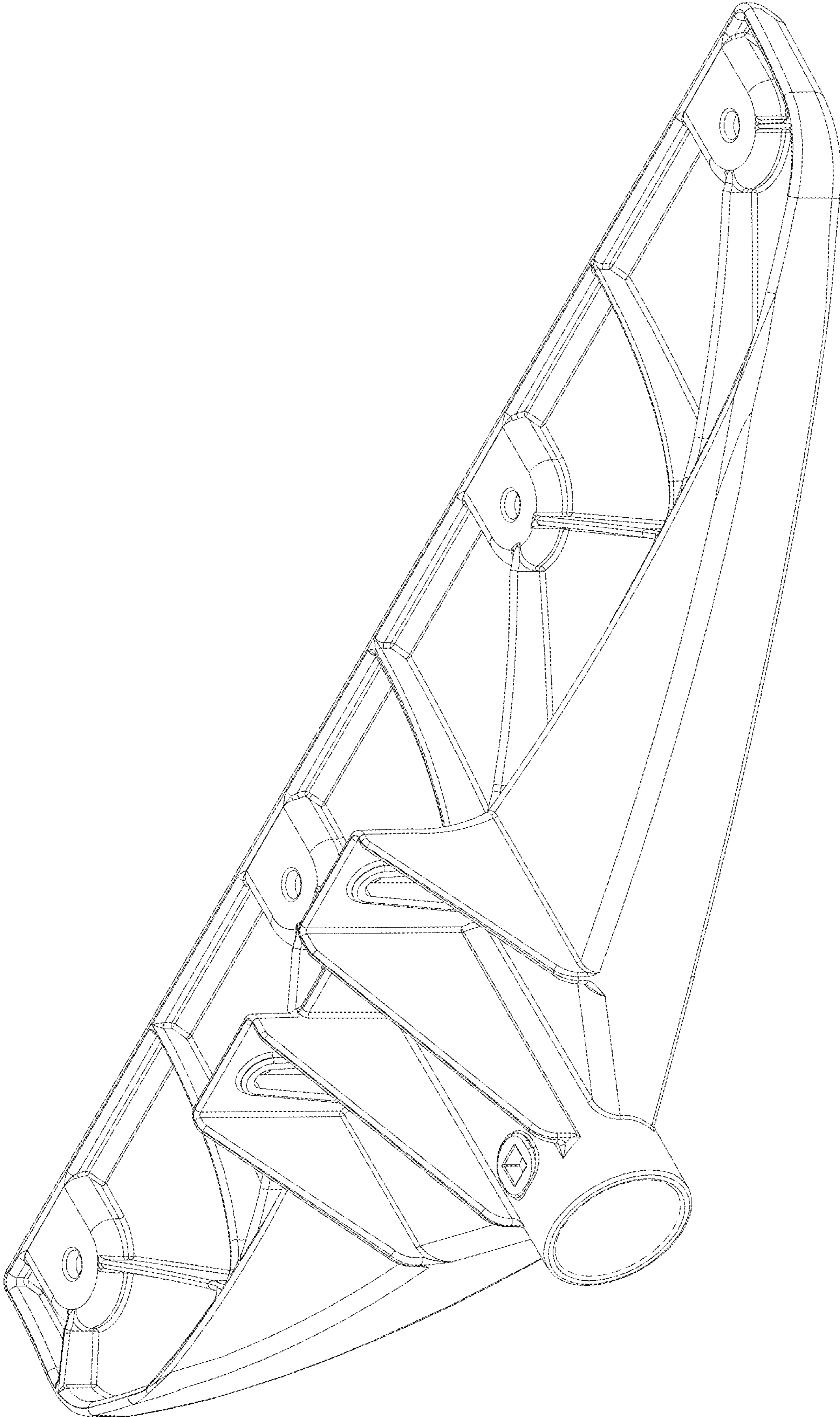




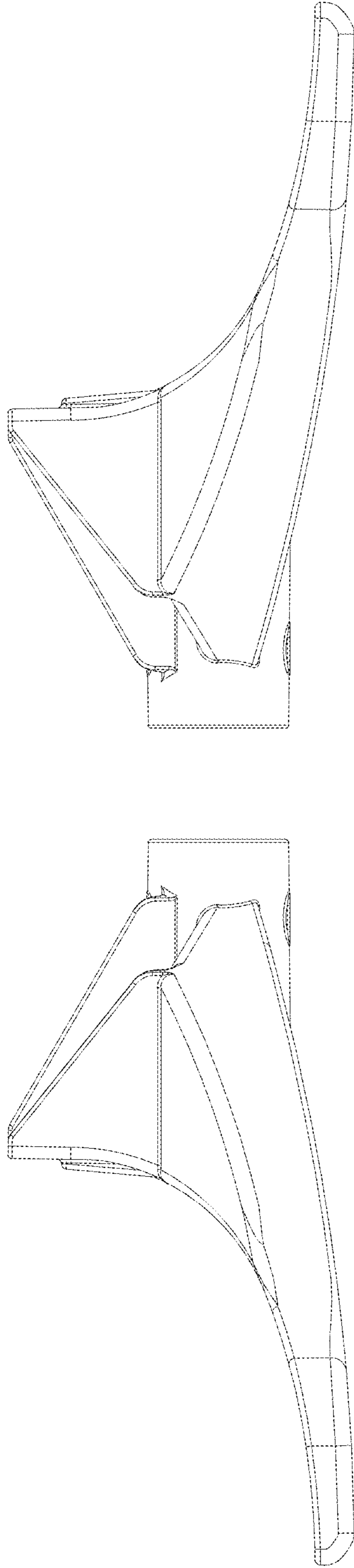


**Fig. 1**



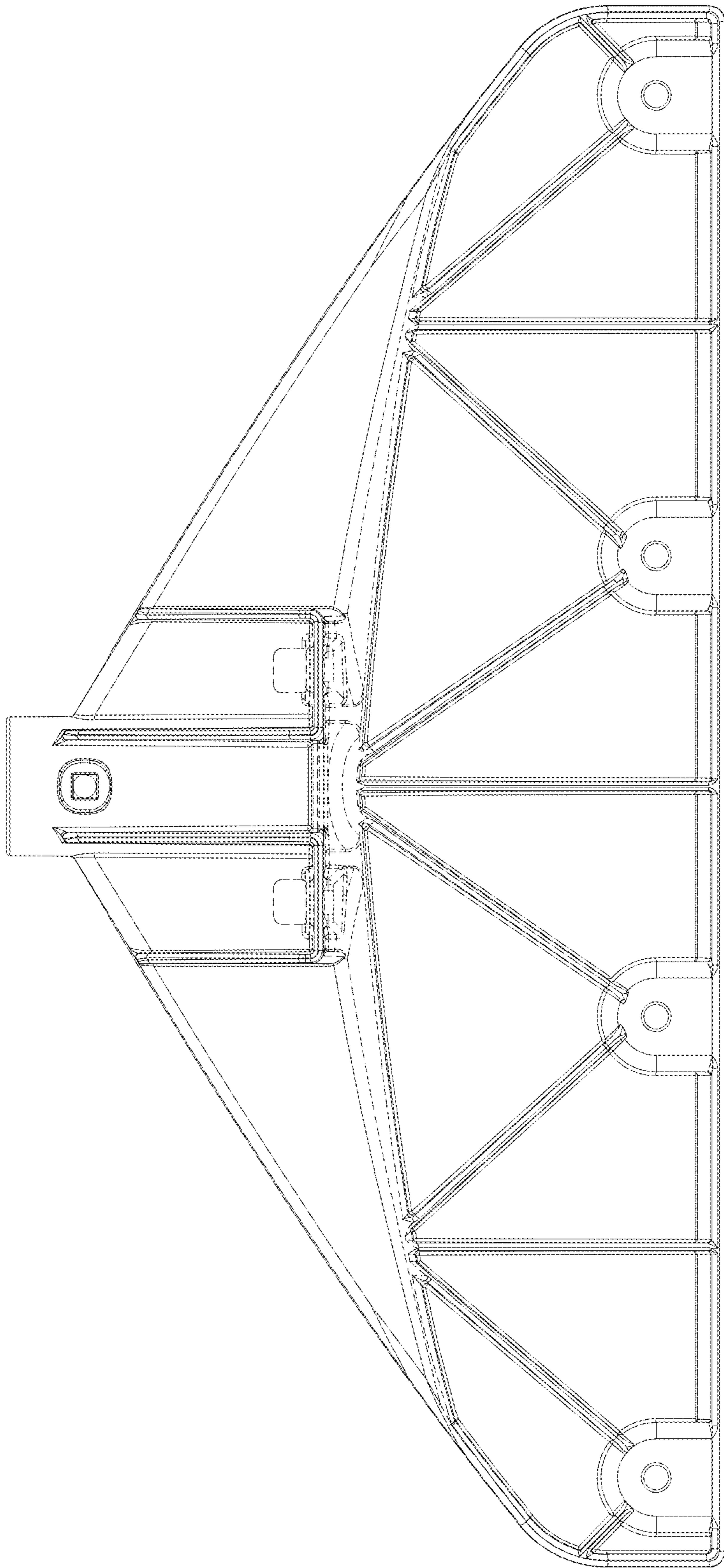


**Fig. 2**

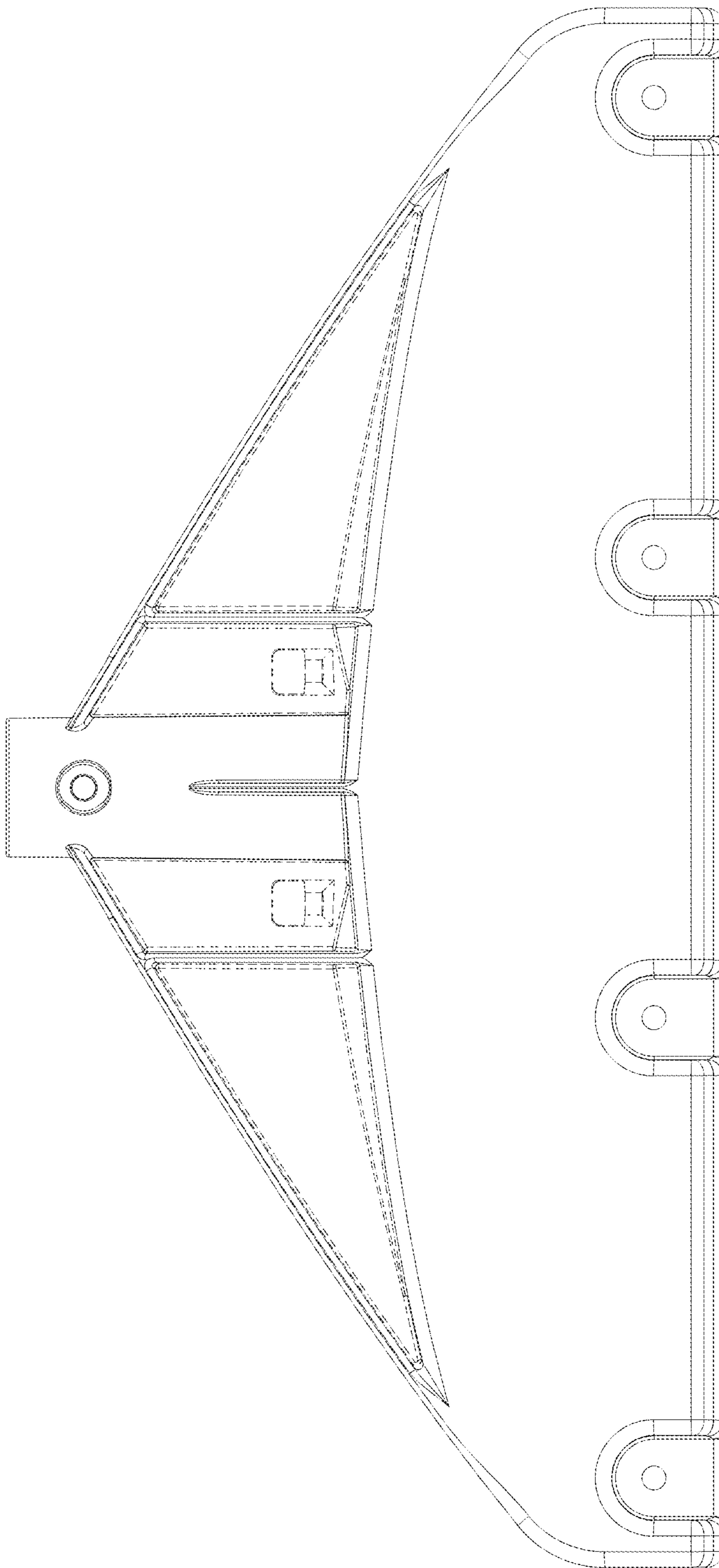


**Fig. 4**

**Fig. 3**

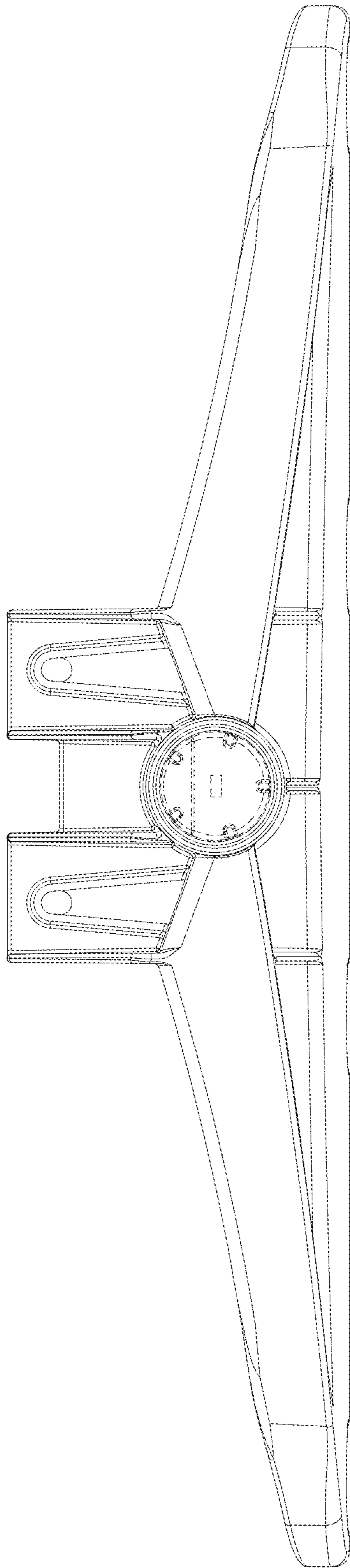


**Fig. 5**



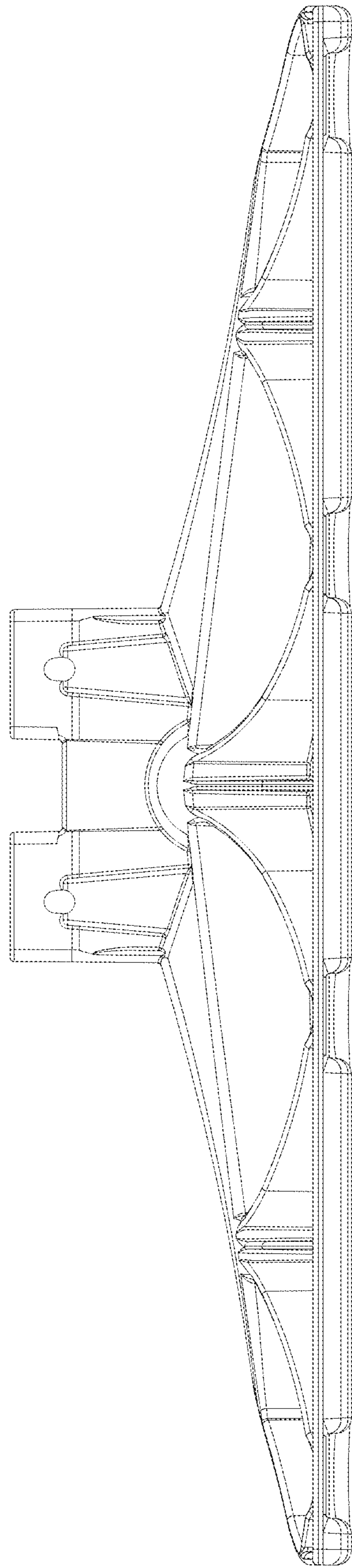
**Fig. 6**





**Fig. 7**





**Fig. 8**