



US00D938239S

(12) **United States Design Patent** (10) **Patent No.:** **US D938,239 S**
Hsu et al. (45) **Date of Patent:** **** Dec. 14, 2021**

(54) **HAND-HELD SPREADER**

Primary Examiner — Mark A Goodwin

(71) Applicant: **OMS Investments, Inc.**, Los Angeles, CA (US)

(74) *Attorney, Agent, or Firm* — Ulmer & Berne LLP

(72) Inventors: **Paul E. Hsu**, Lewis Center, OH (US);
Ryan R. Berger, Columbus, OH (US);
Chris C. Cicenas, Etna, OH (US);
Daniel Wisniewski, Columbus, OH (US)

(57) **CLAIM**

The ornamental design for a hand-held spreader, as shown and described.

(73) Assignee: **OMS Investments, Inc.**, Los Angeles, CA (US)

DESCRIPTION

(**) Term: **15 Years**

(21) Appl. No.: **29/779,328**

(22) Filed: **Apr. 19, 2021**

Related U.S. Application Data

(62) Division of application No. 29/672,819, filed on Dec. 10, 2018, now Pat. No. Des. 916,569.

(51) **LOC (13) Cl.** **08-01**

(52) **U.S. Cl.**

USPC **D8/2; D15/13**

(58) **Field of Classification Search**

USPC **D8/2; D15/13**

CPC **A01C 15/02; A01C 15/00; A01C 15/04; A01C 15/006; A01C 7/00; A01C 7/02; E01H 10/007; E01C 2019/206; E01C 19/203; E01C 19/205**

See application file for complete search history.

(56) **References Cited**

U.S. PATENT DOCUMENTS

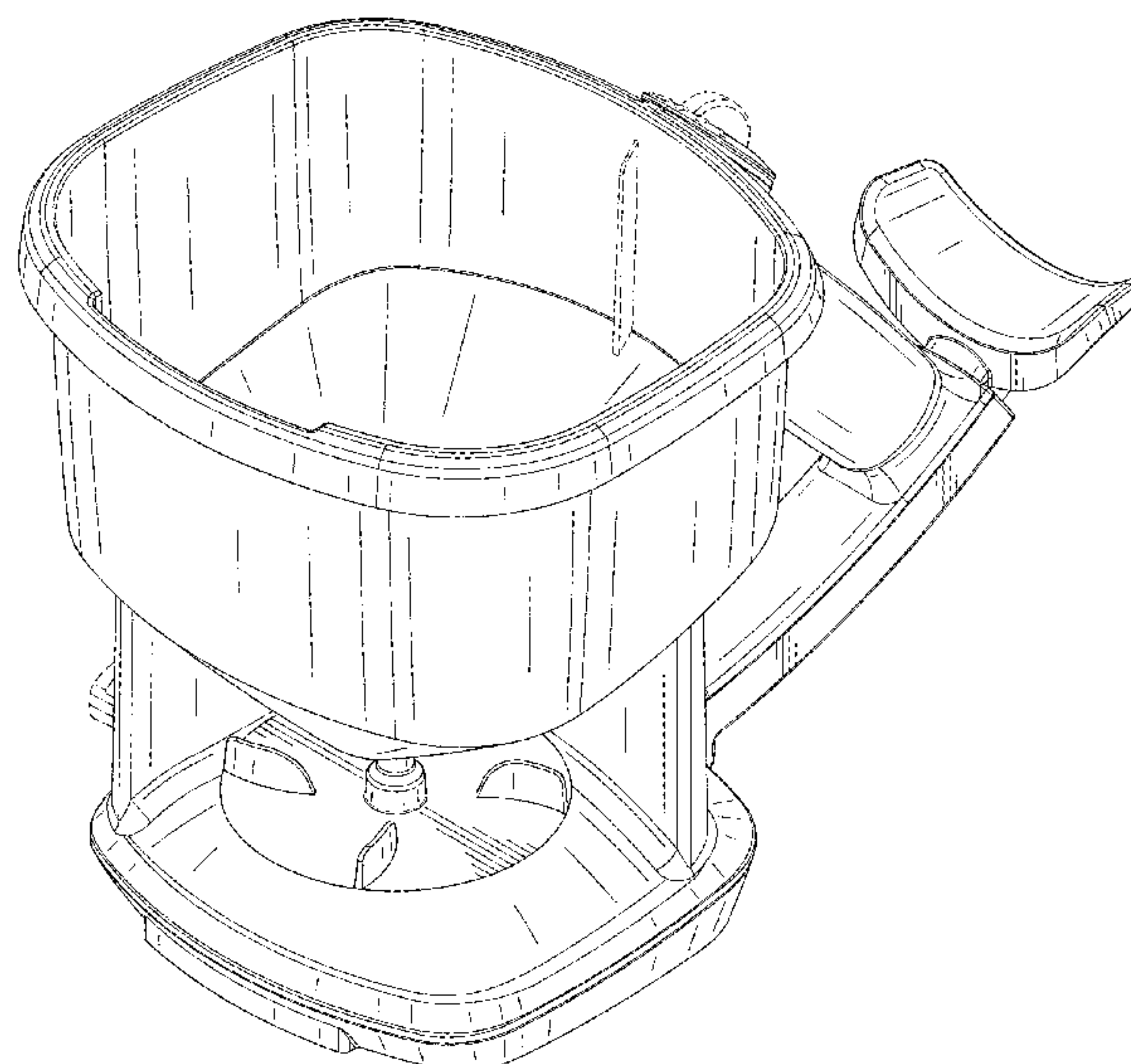
5,123,598 A * 6/1992 Courtney A01C 15/02
222/473
D327,823 S * 7/1992 Demarest D15/13
D333,951 S * 3/1993 Courtney D8/2

(Continued)

FIG. 1 is a top isometric view of an embodiment of a hand-held spreader illustrating the new design; FIG. 2 is a front elevational view thereof; FIG. 3 is a back elevational view thereof; FIG. 4 is a right side elevational view thereof; FIG. 5 is a left side elevational view thereof; FIG. 6 is a top planar view thereof; FIG. 7 is a bottom planar view thereof; FIG. 8 is a bottom isometric view thereof; FIG. 9 is a top isometric view of another embodiment of a hand-held spreader illustrating the new design; FIG. 10 is a front elevational view thereof; FIG. 11 is a back elevational view thereof; FIG. 12 is a right side elevational view thereof; FIG. 13 is a left side elevational view thereof; FIG. 14 is a top planar view thereof; FIG. 15 is a bottom planar view thereof; FIG. 16 is a bottom isometric view thereof; FIG. 17 is a top isometric view of another embodiment of a hand-held spreader illustrating the new design; FIG. 18 is a front elevational view thereof; FIG. 19 is a back elevational view thereof; FIG. 20 is a right side elevational view thereof; FIG. 21 is a left side elevational view thereof; FIG. 22 is a top planar view thereof; FIG. 23 is a bottom planar view thereof; and, FIG. 24 is a bottom isometric view thereof.

The broken lines in the drawings are included for the purpose of illustrating portions of the hand-held spreader that form no part of the claimed design.

1 Claim, 24 Drawing Sheets



(56)

References Cited

U.S. PATENT DOCUMENTS

5,285,971 A * 2/1994 Havlovitz A01C 15/02
222/43
D387,638 S * 12/1997 DeLaby D8/2
D534,044 S * 12/2006 Zak D8/2
D796,922 S * 9/2017 Hsu D8/2
D823,655 S * 7/2018 Dubiel D8/2
D834,901 S * 12/2018 Dubiel D8/2
D855,421 S * 8/2019 Hsu D8/2
D893,270 S * 8/2020 Hsu D8/2
D896,042 S * 9/2020 Knight D8/2
D896,599 S * 9/2020 Knight D8/2
D897,166 S * 9/2020 Knight D8/2
D901,996 S * 11/2020 Knight D8/2
D915,847 S * 4/2021 Sevrey D8/2
D916,569 S * 4/2021 Hsu D8/2
2006/0016918 A1 * 1/2006 Sagol E01C 19/203
239/653
2017/0049042 A1 * 2/2017 Hsu A01C 15/02

* cited by examiner

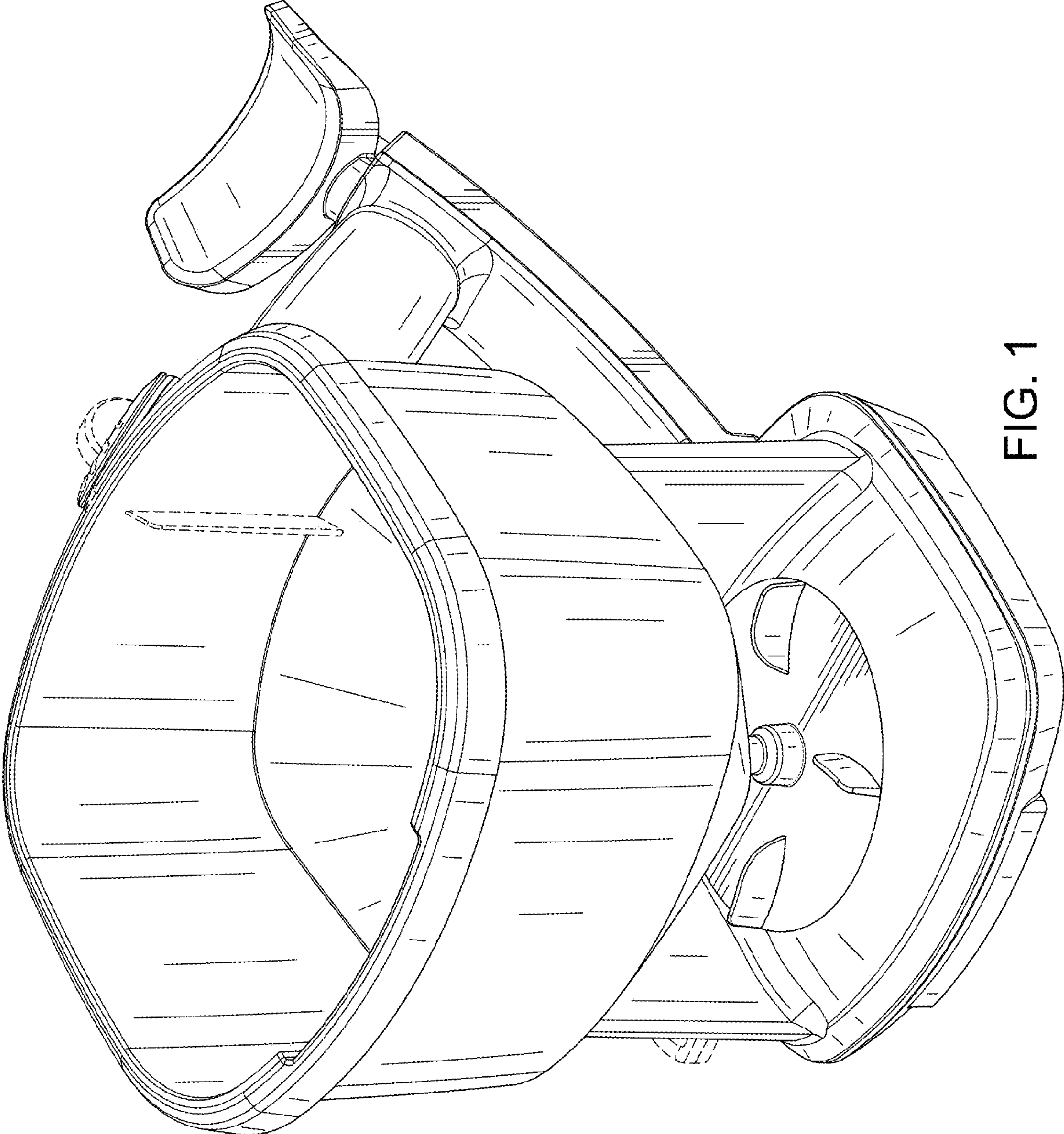


FIG. 1

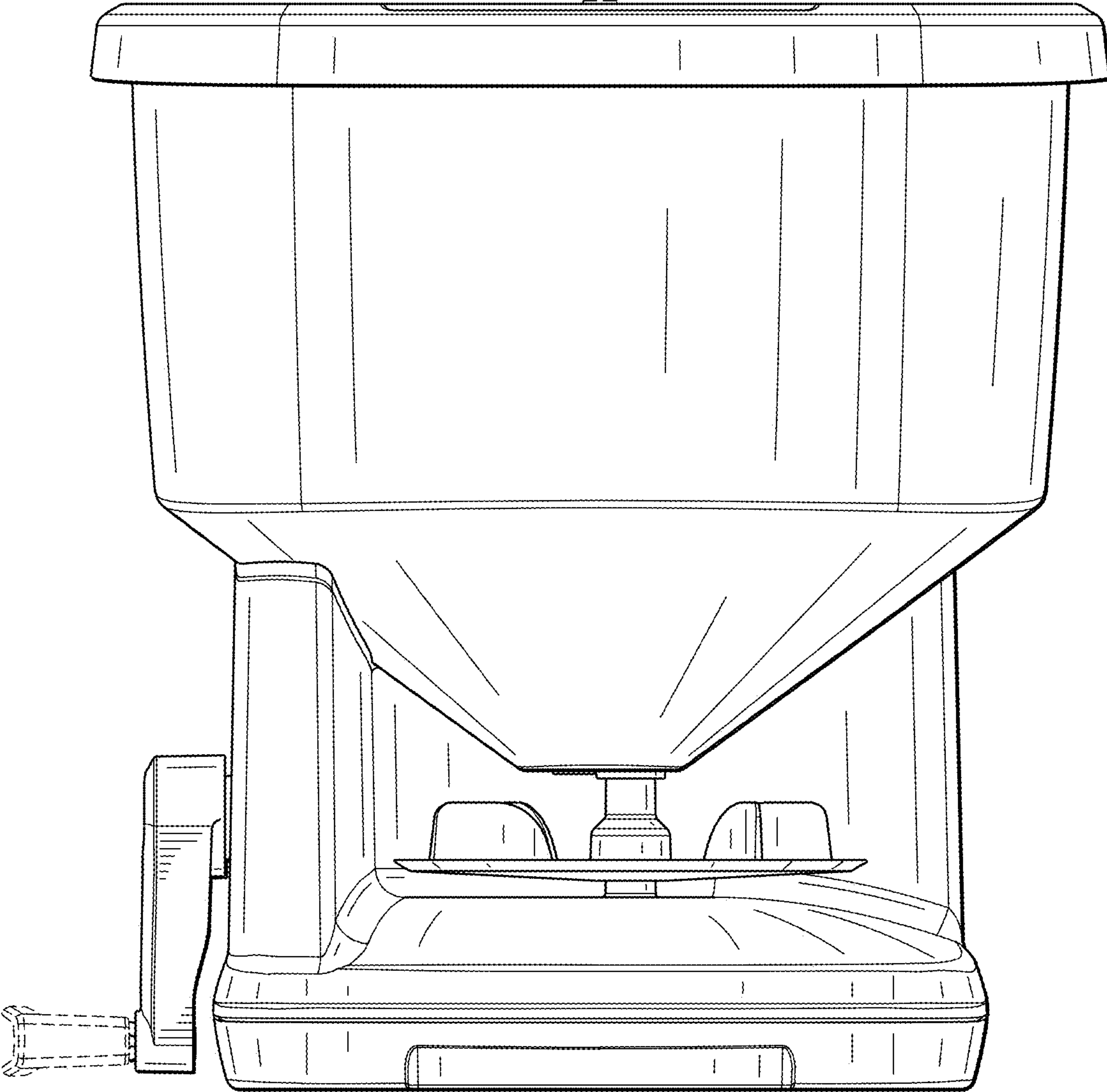


FIG. 2

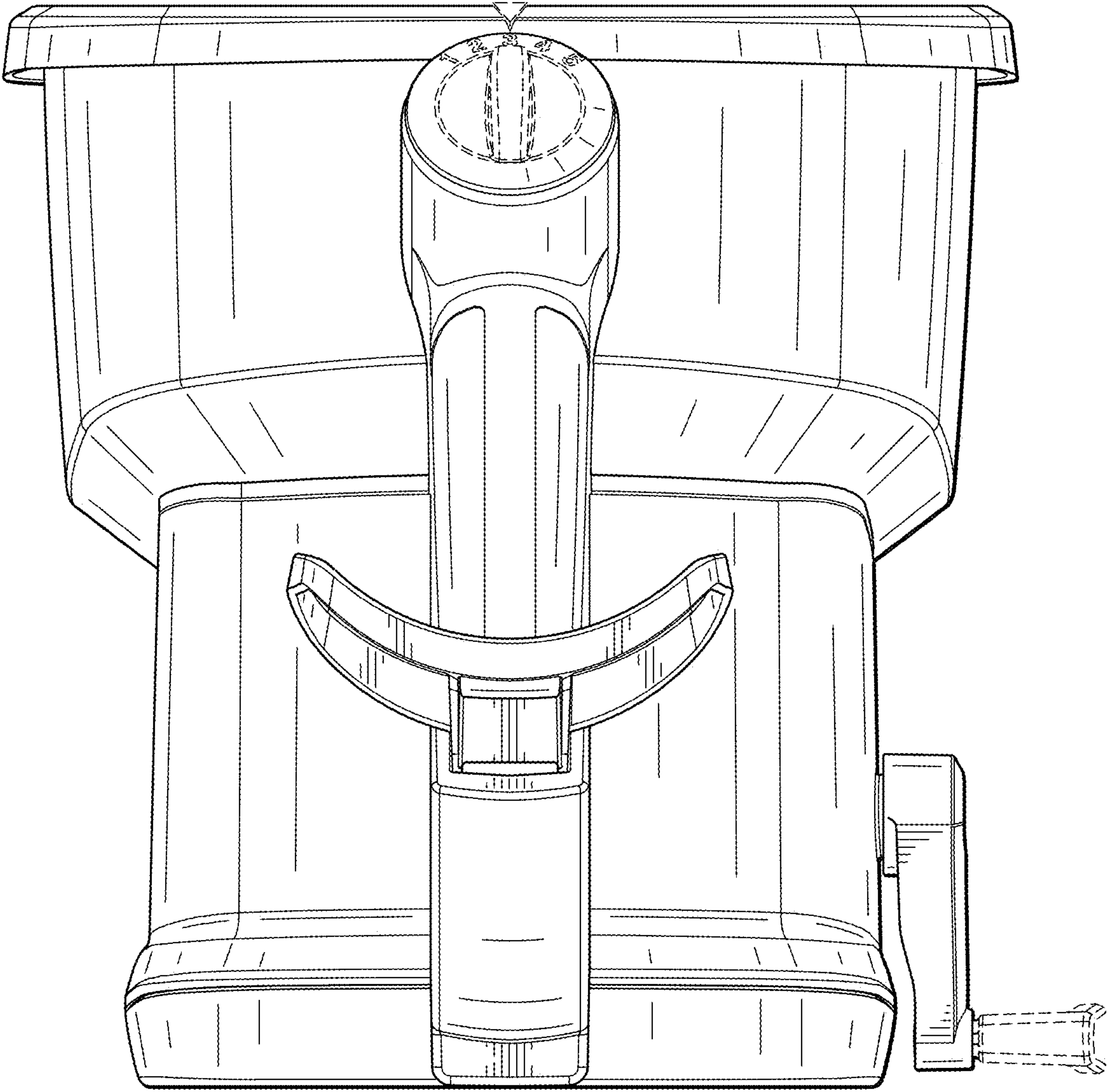


FIG. 3

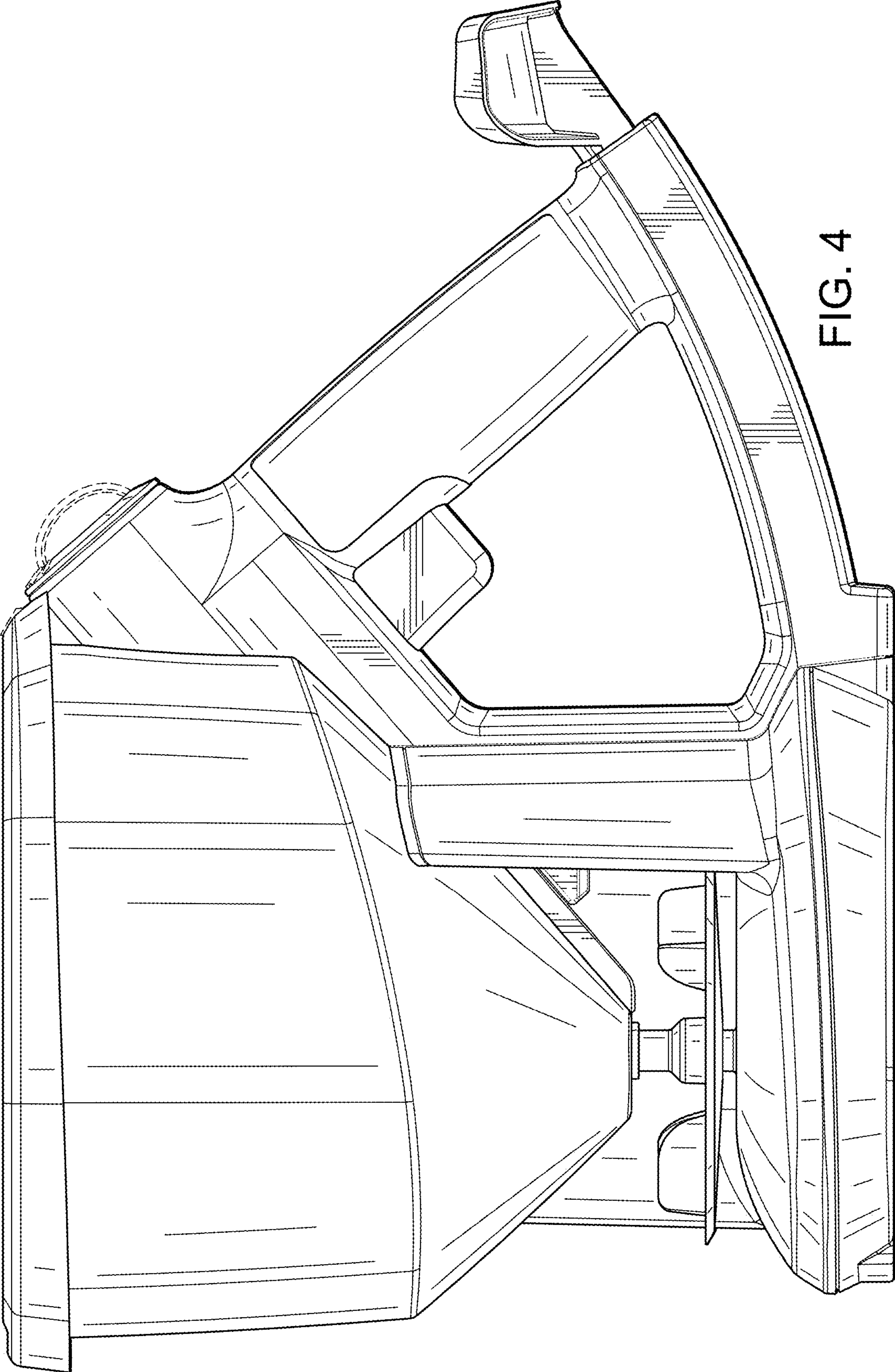


FIG. 4

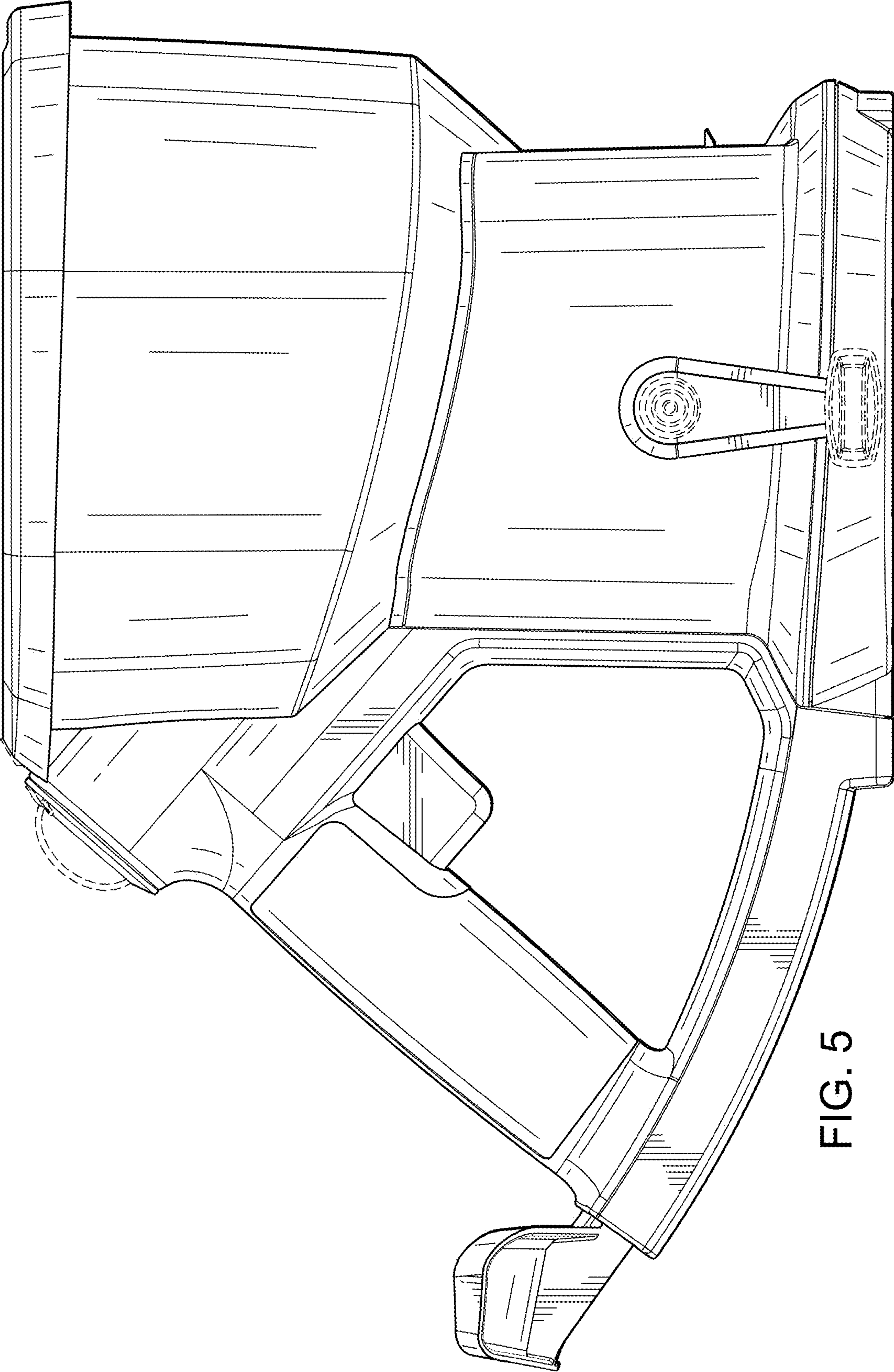


FIG. 5

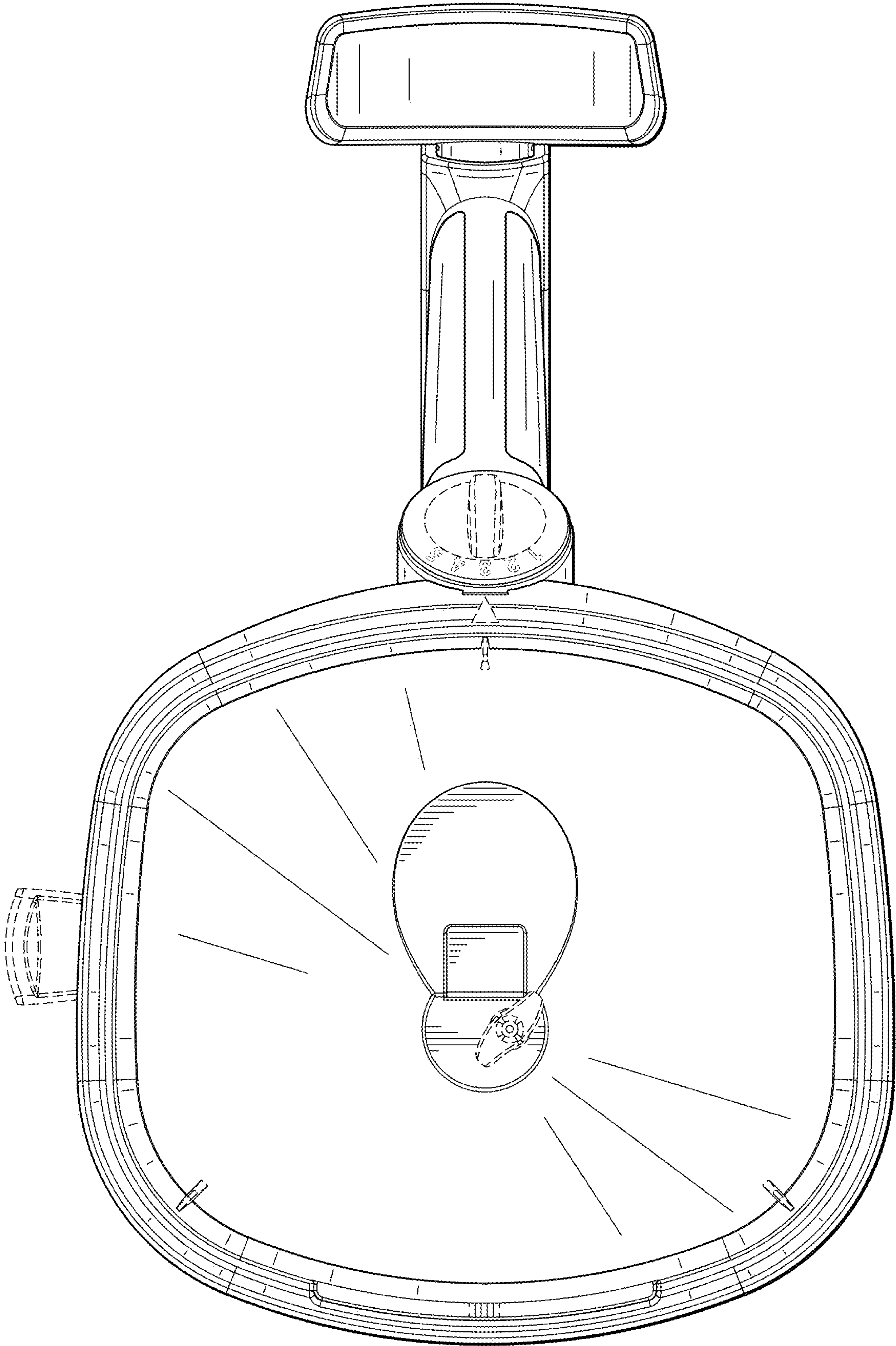


FIG. 6

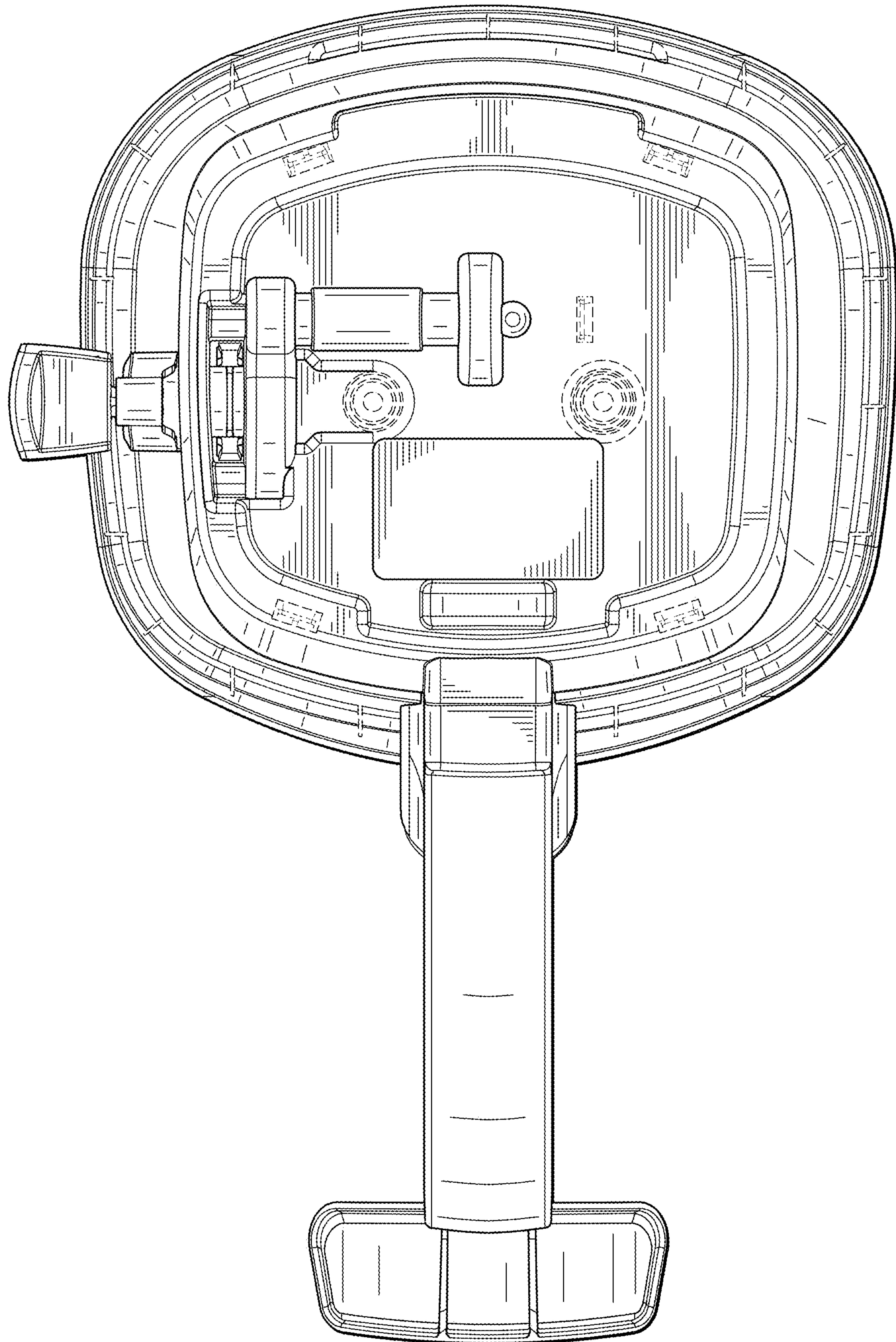


FIG. 7

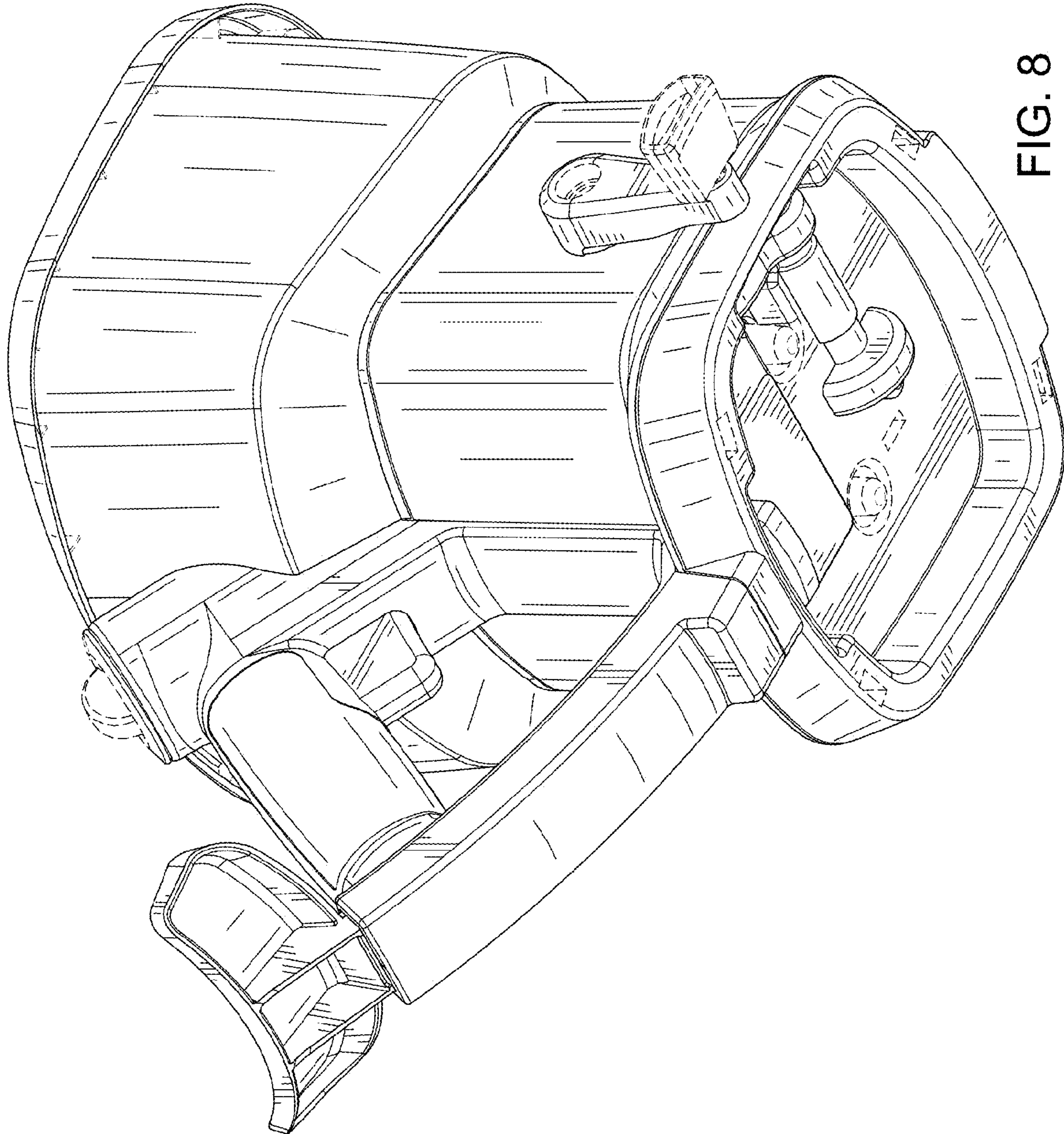


FIG. 8

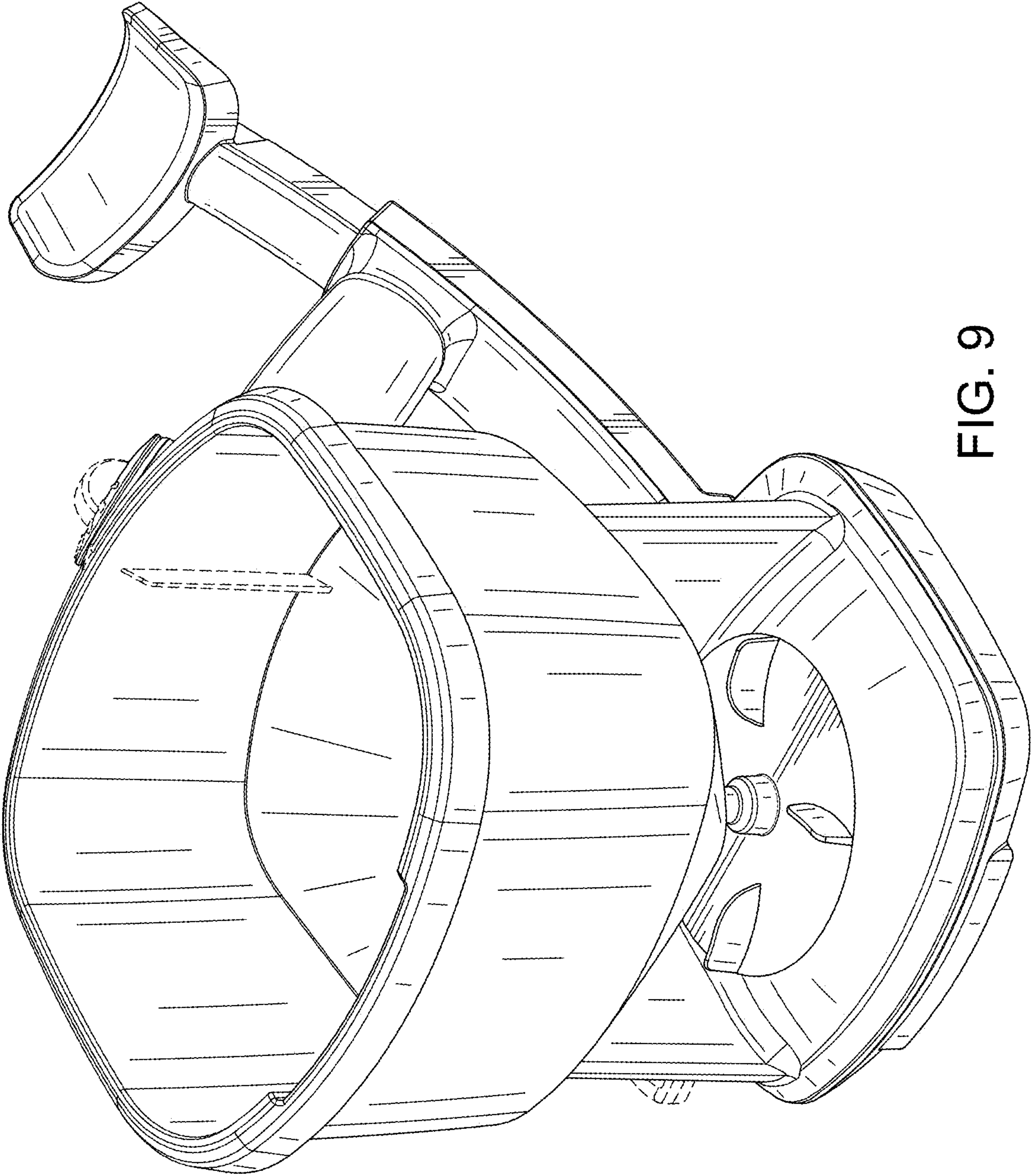


FIG. 9

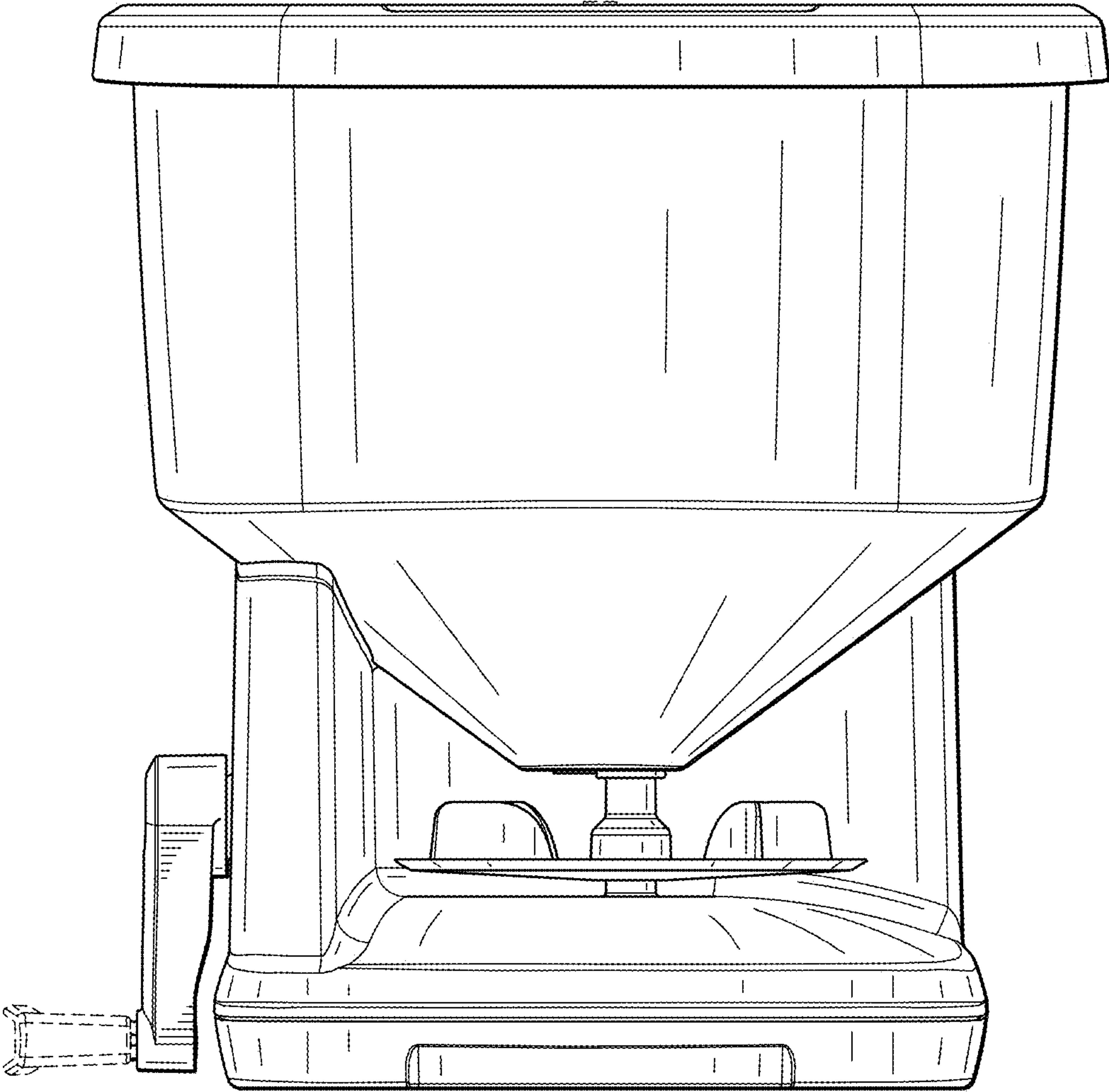


FIG. 10

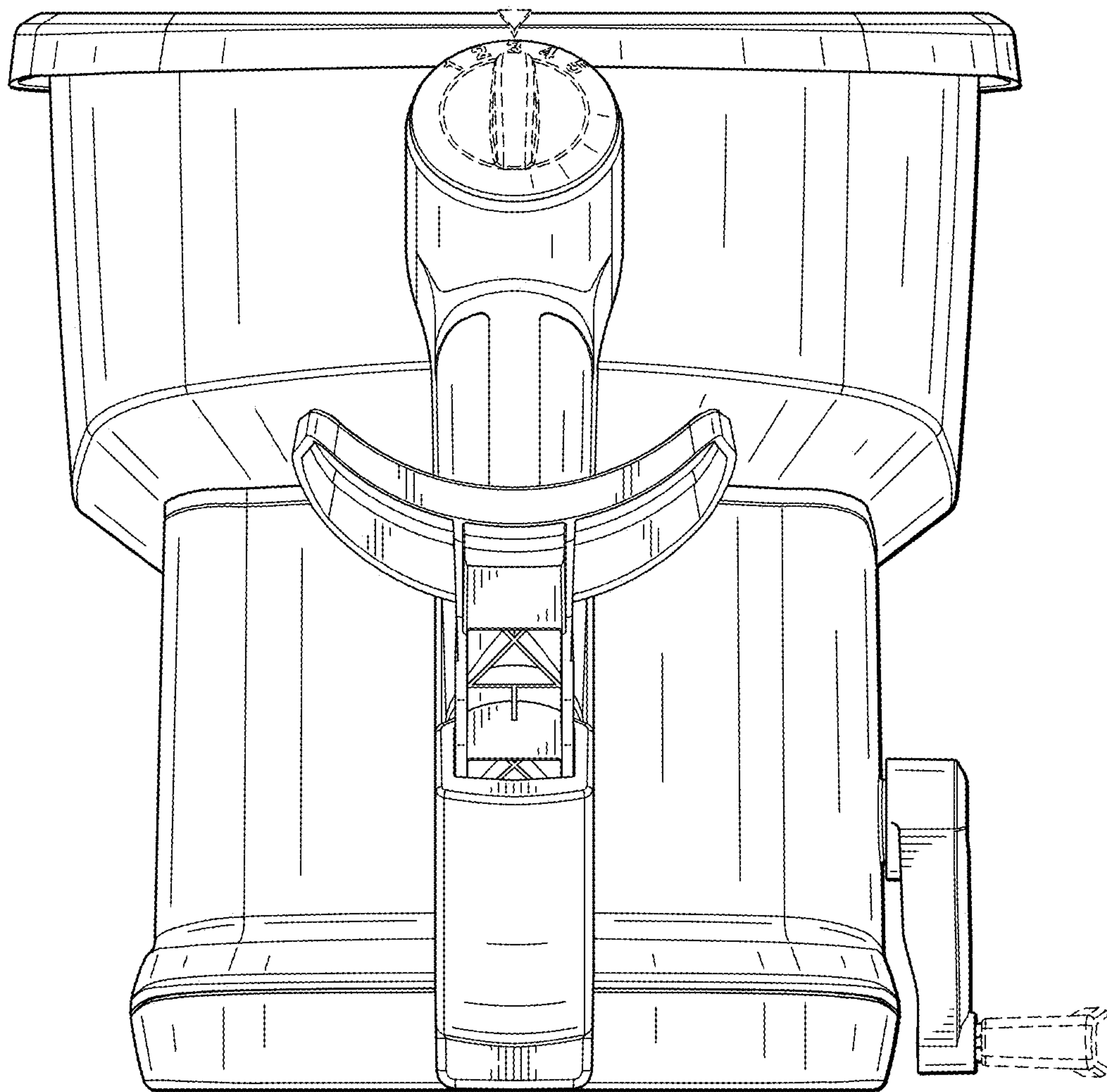


FIG. 11

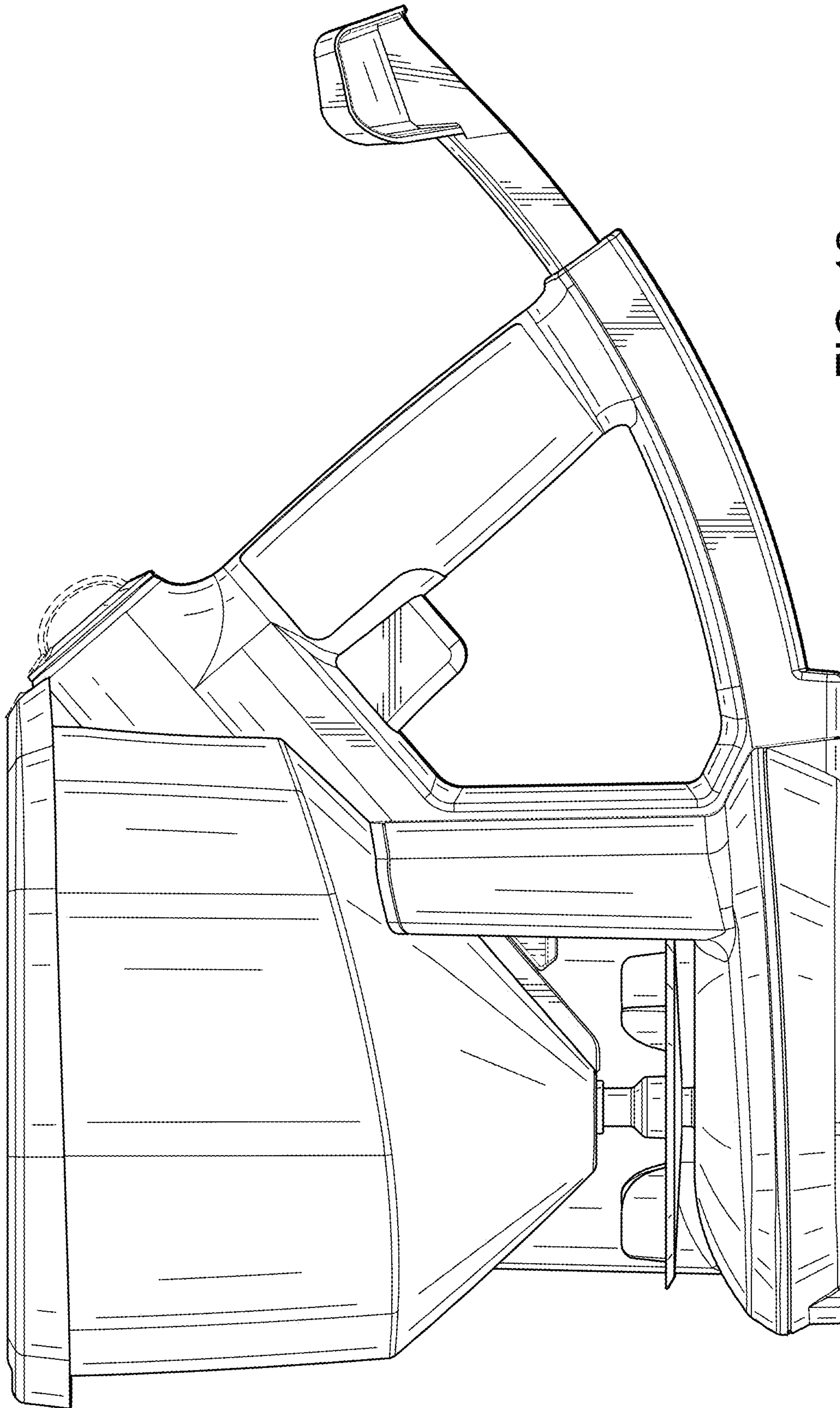


FIG. 12

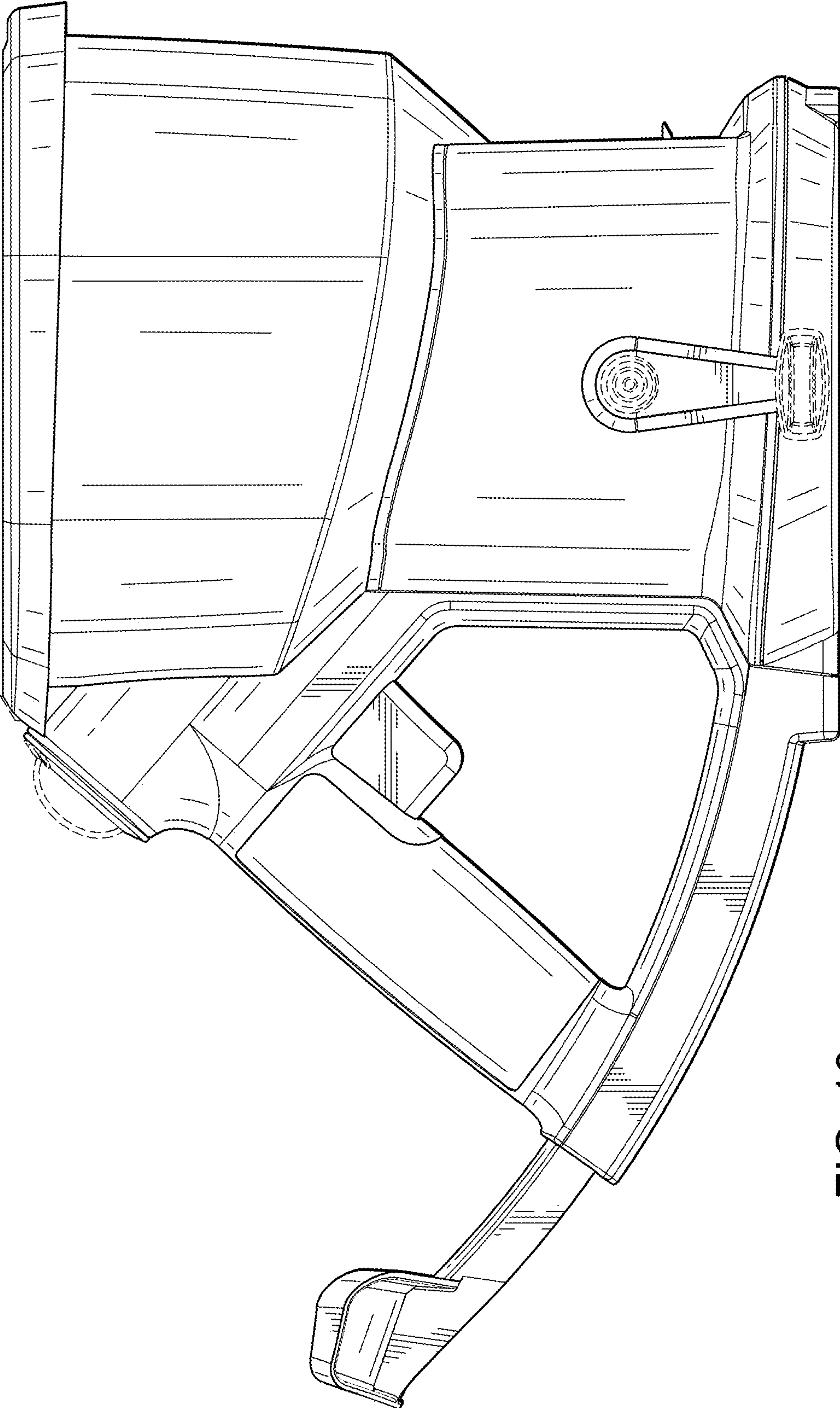


FIG. 13

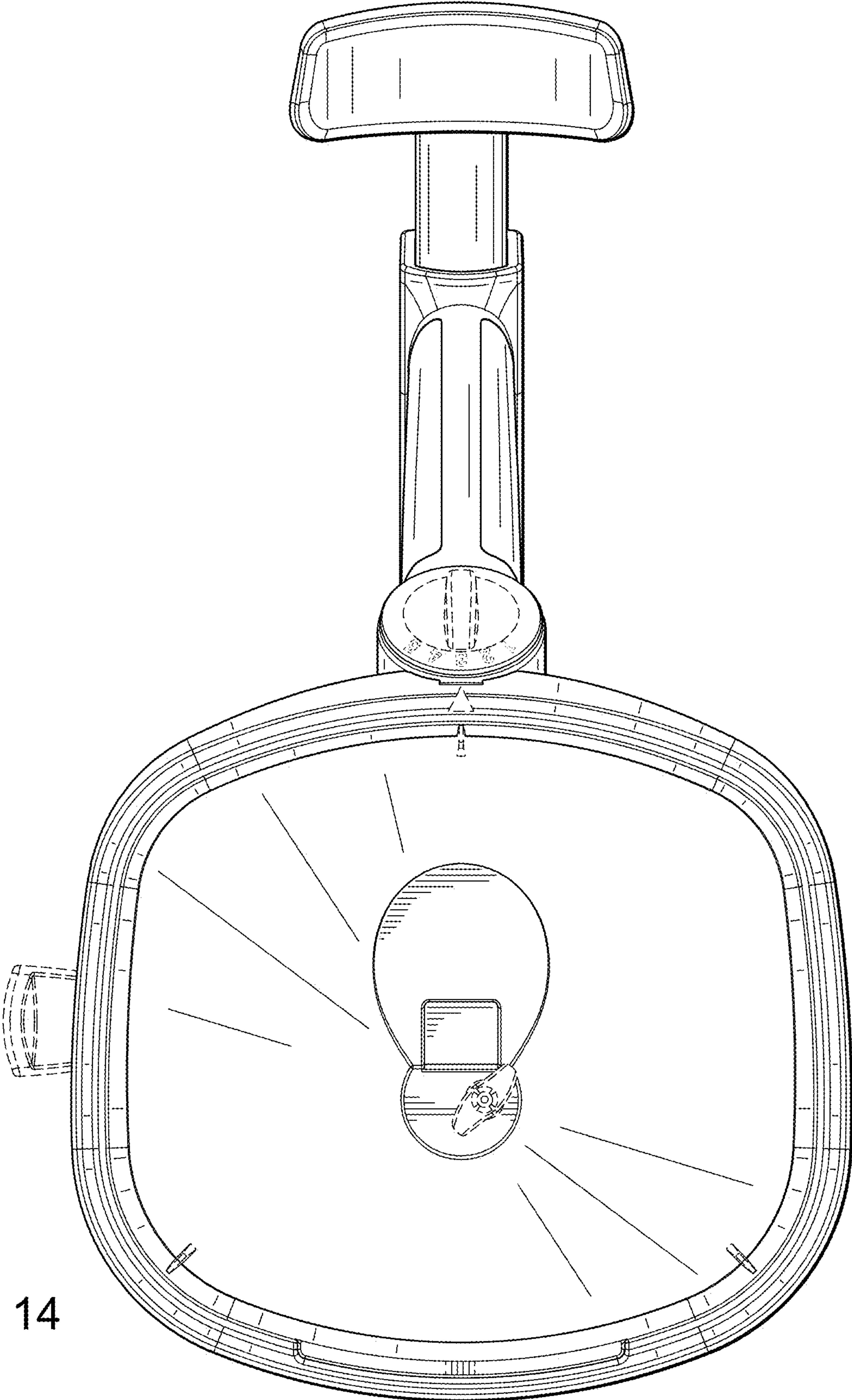


FIG. 14

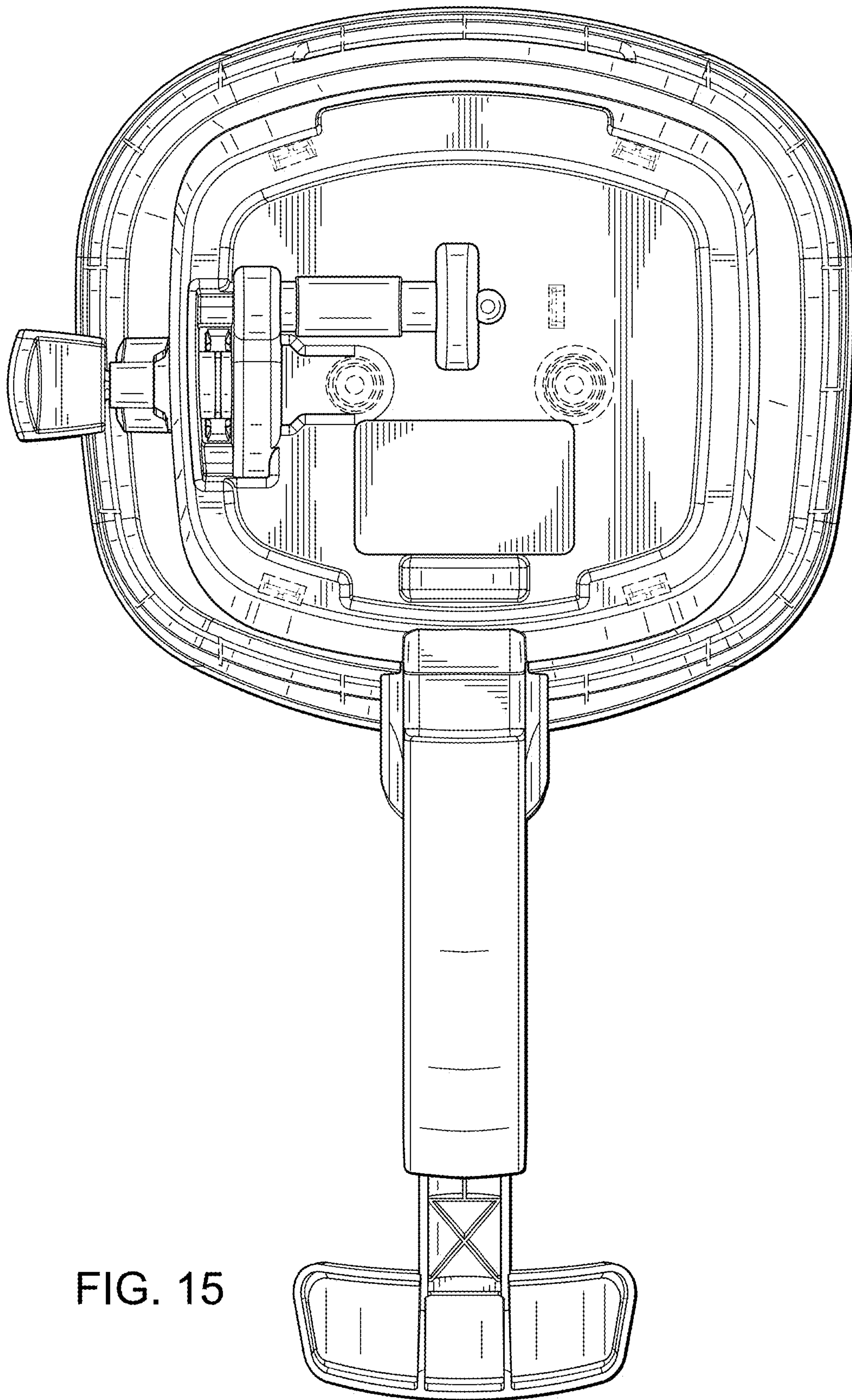


FIG. 15

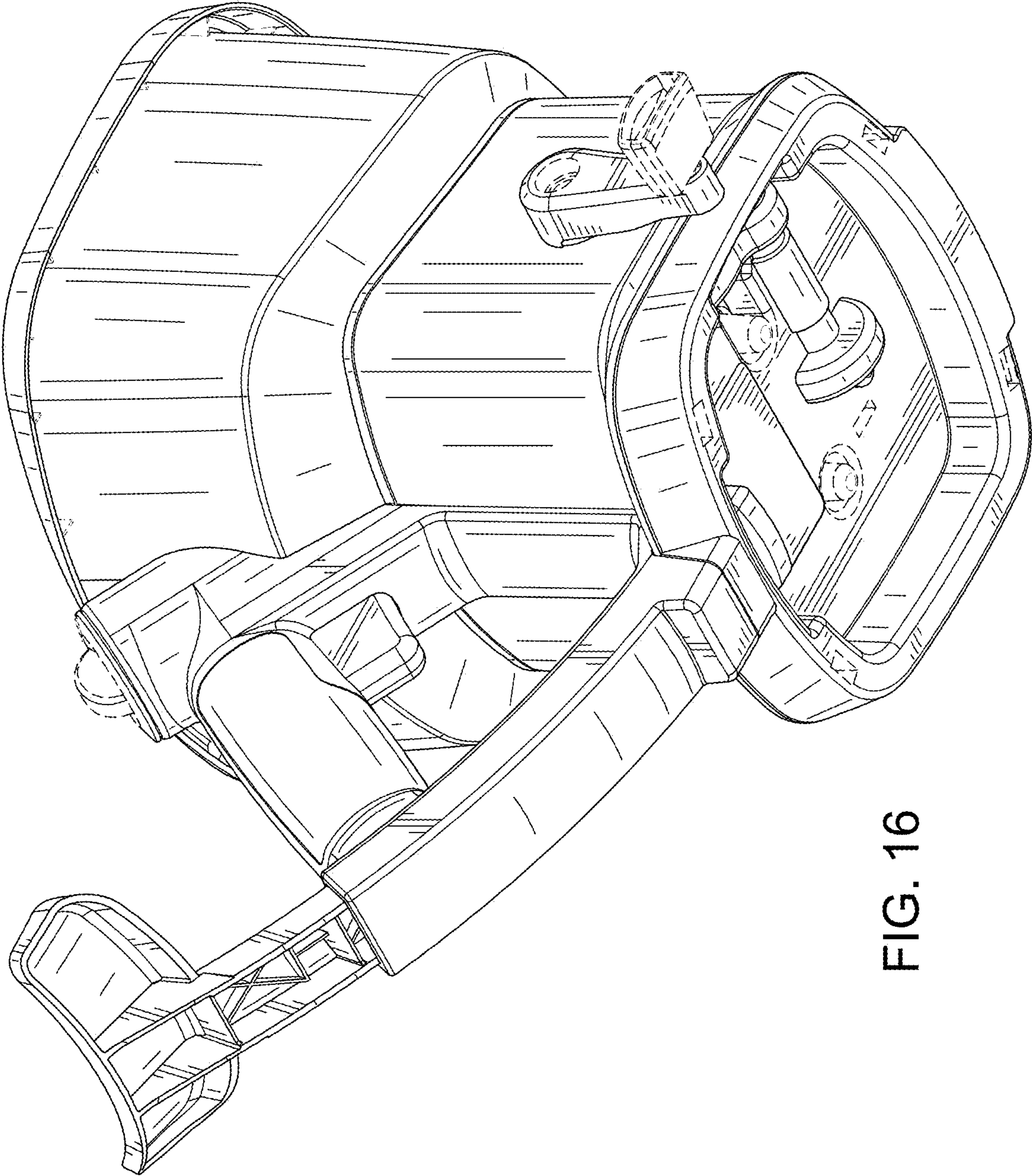


FIG. 16

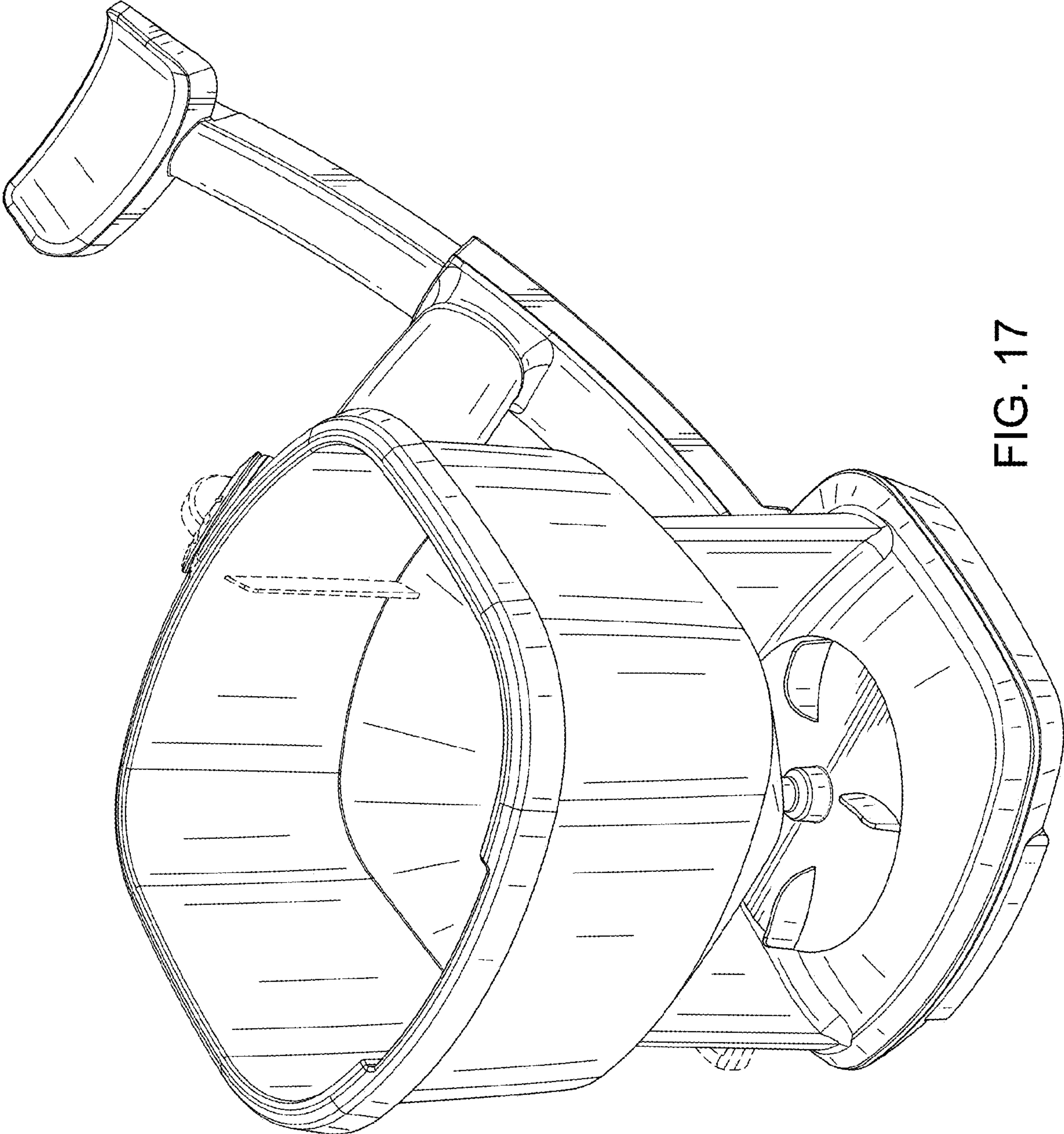


FIG. 17

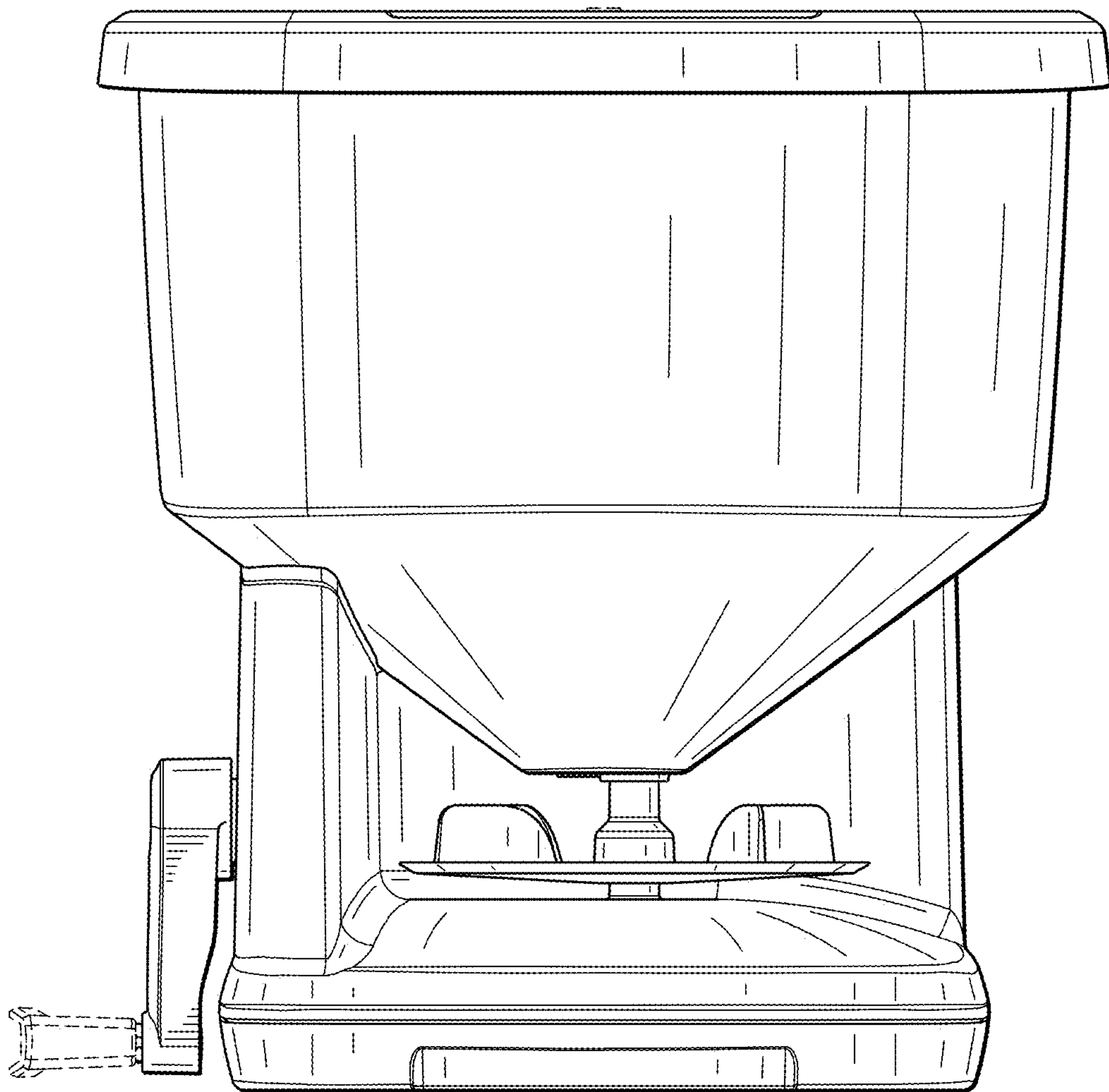


FIG. 18

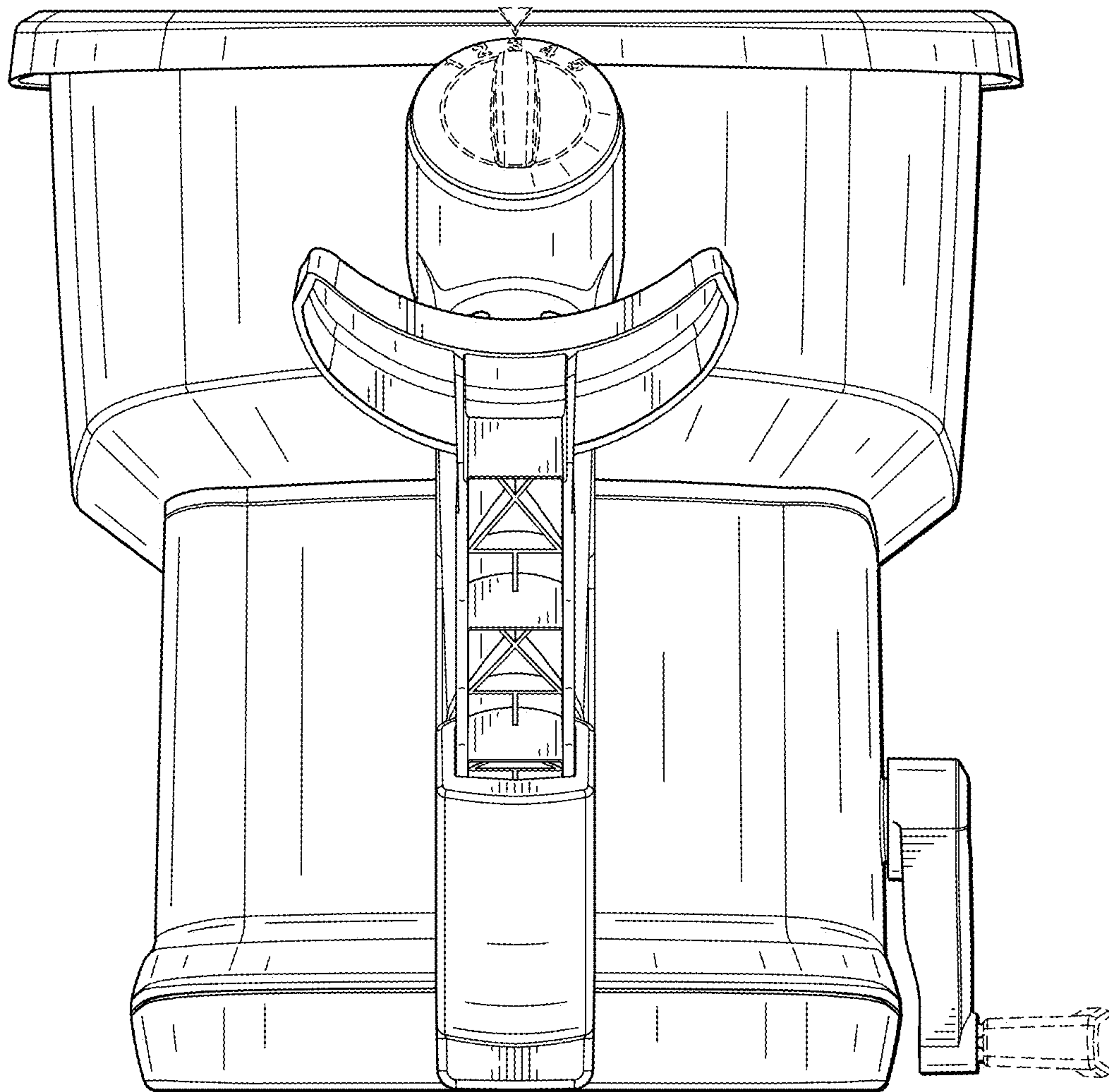


FIG. 19

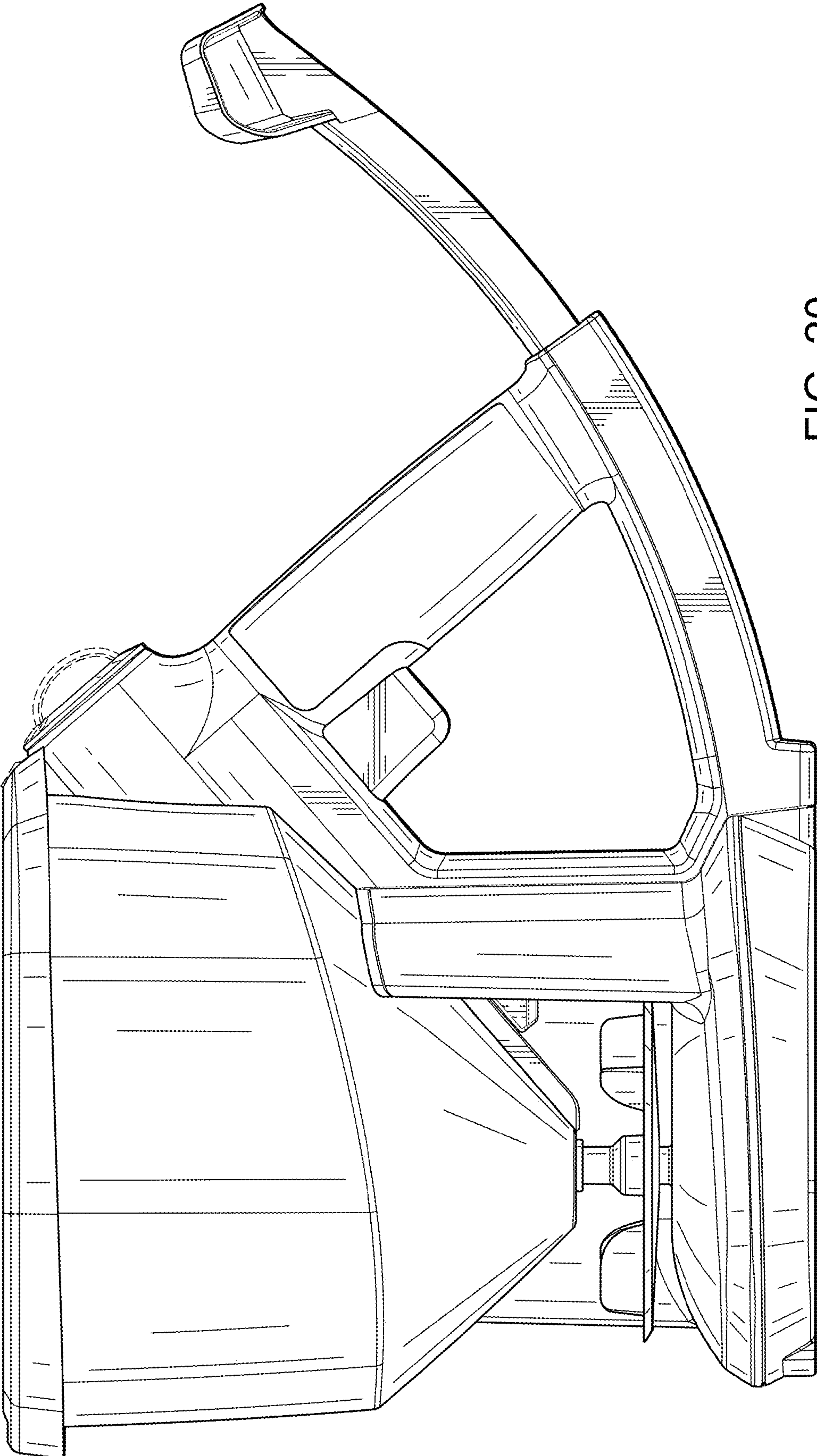


FIG. 20

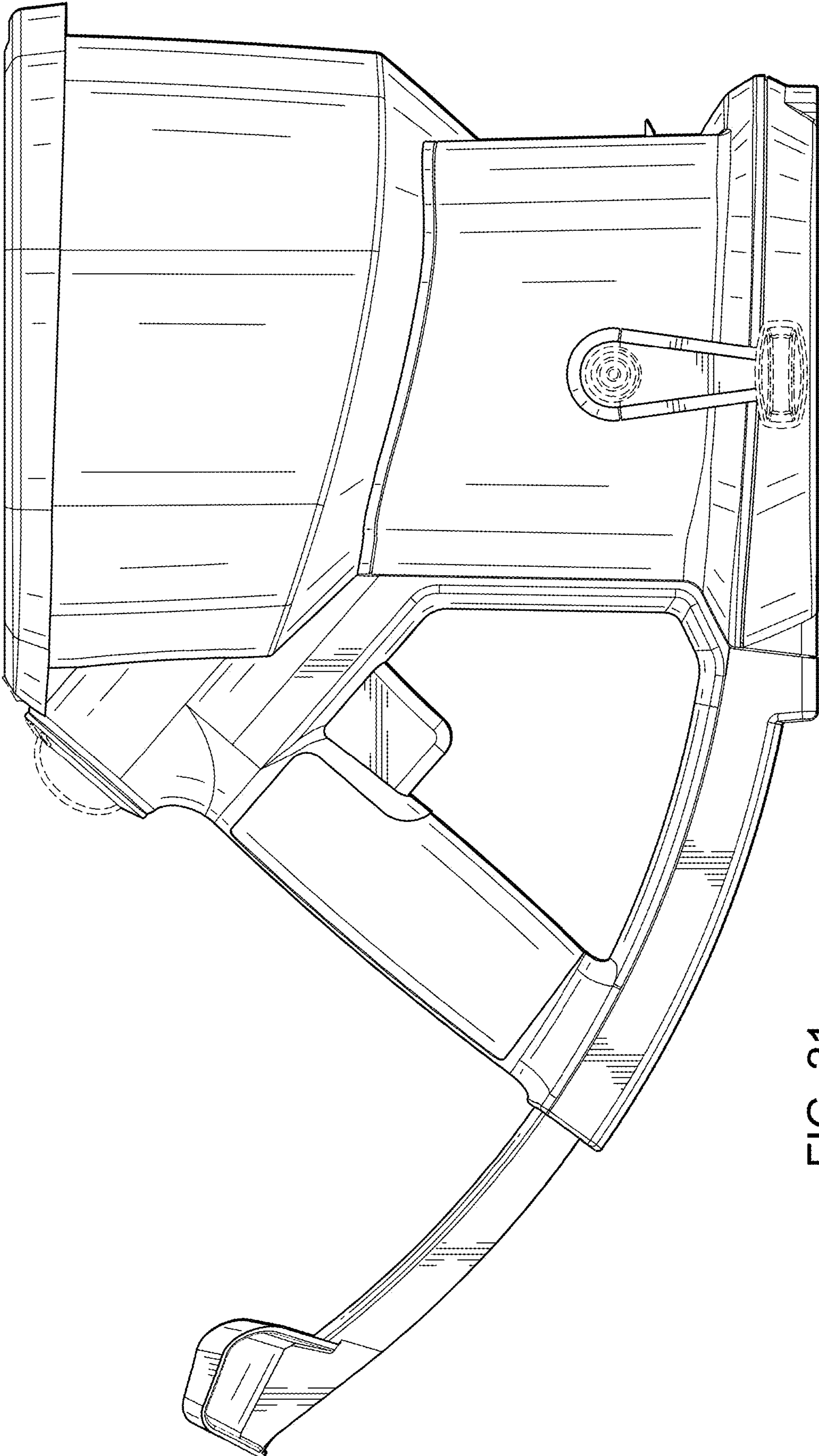


FIG. 21

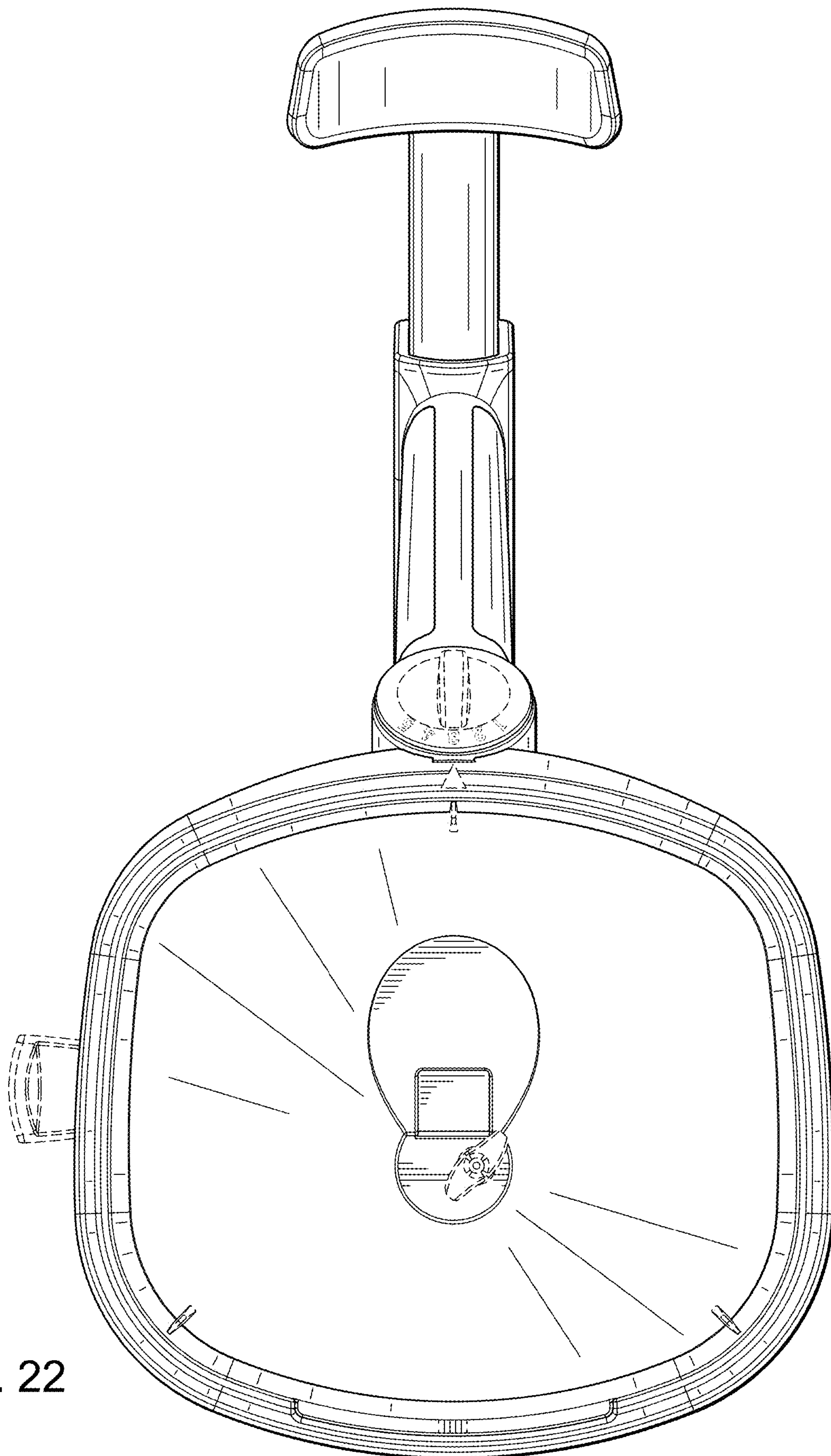


FIG. 22

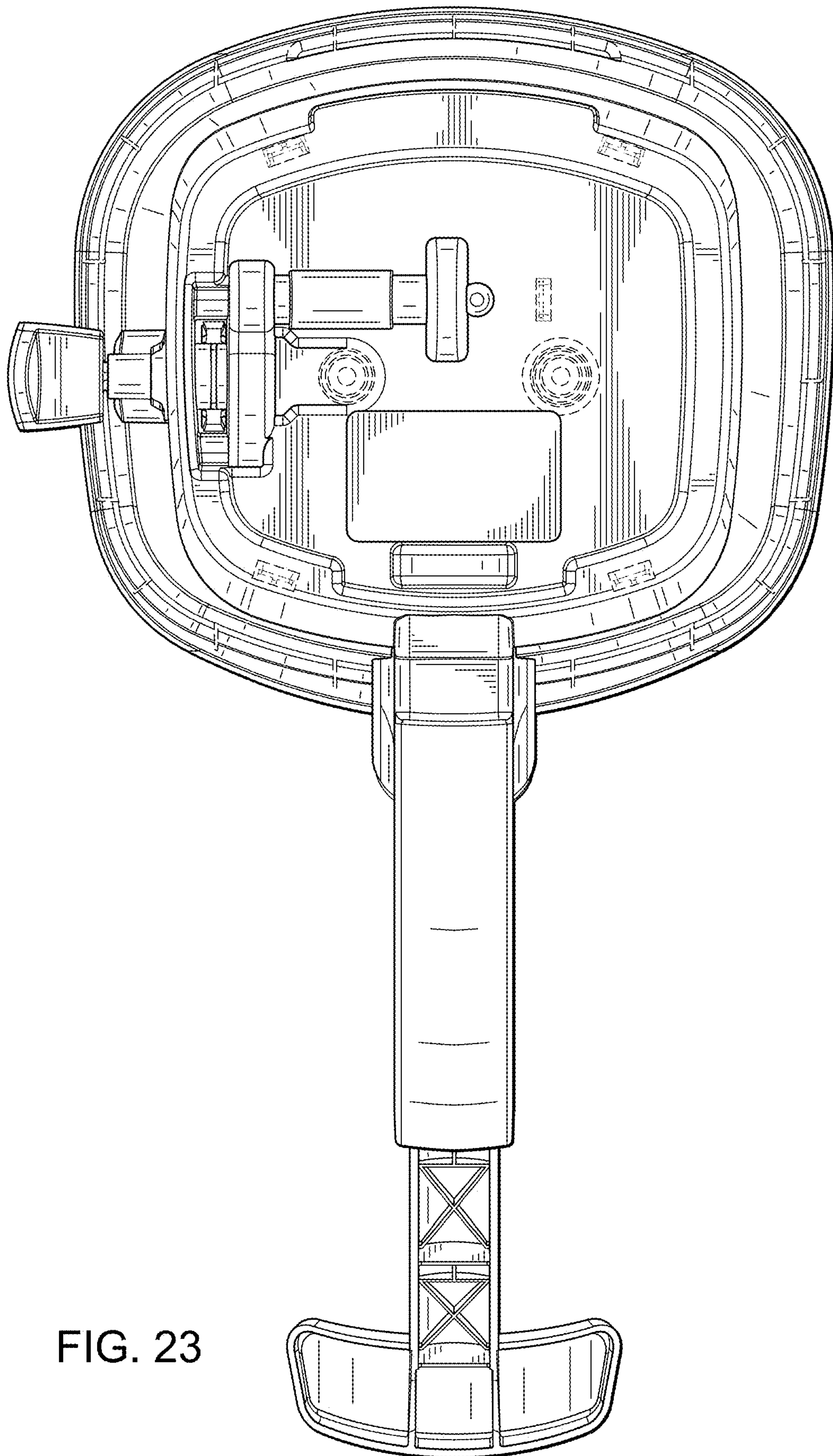


FIG. 23

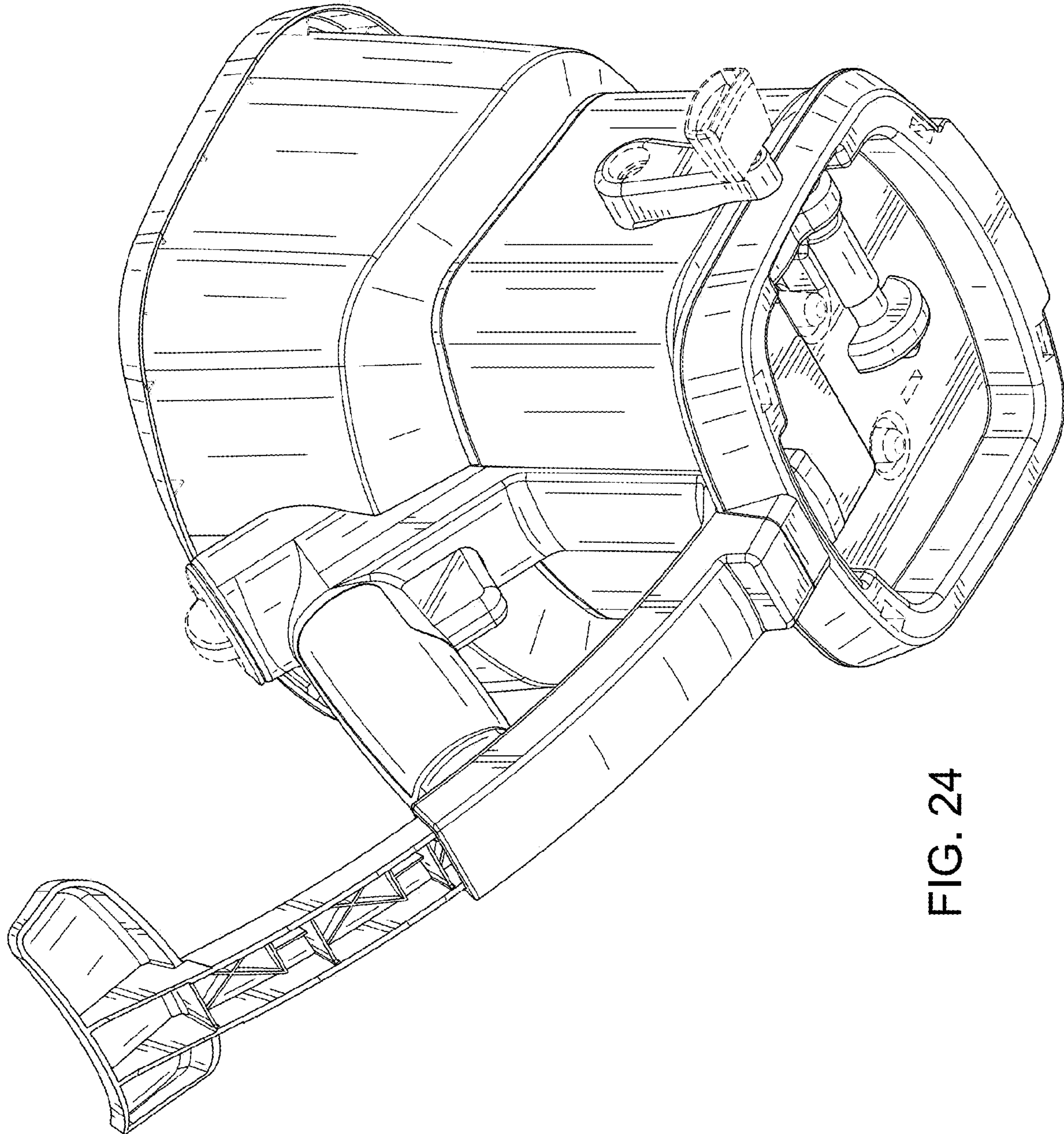


FIG. 24