



US00D938238S

(12) **United States Design Patent** (10) **Patent No.:** **US D938,238 S**
Stahl et al. (45) **Date of Patent:** **** Dec. 14, 2021**

(54) **ICE BALL PRESS**

FOREIGN PATENT DOCUMENTS

(71) Applicant: **Steere Enterprises, Inc.**, Tallmadge, OH (US)

GB 6009475 * 3/2017

(72) Inventors: **Mark Stahl**, Tallmadge, OH (US);
Brock W. Steere, Copley, OH (US);
Brian J. Steere, Akron, OH (US)

OTHER PUBLICATIONS

SoHo Experiment, Macallan Ice Ball Video, Oct. 18, 2013, Youtube,
https://www.youtube.com/watch?v=uRh2q2_tQSY (Year: 2013).*

(Continued)

(73) Assignee: **Courtright Engineering Company, LLC**, Tallmadge, OH (US)

Primary Examiner — Brett Miller

(74) *Attorney, Agent, or Firm* — Cooper Legal Group, LLC

(**) Term: **15 Years**

(57) **CLAIM**

The ornamental design for an ice ball press, as shown and described.

(21) Appl. No.: **29/707,370**

(22) Filed: **Sep. 27, 2019**

DESCRIPTION

(51) **LOC (13) Cl.** **07-04**

(52) **U.S. Cl.**
USPC **D7/672**

(58) **Field of Classification Search**
USPC D7/672-677, 354, 359, 515, 567, 579;
D9/629; D15/90
CPC A47J 43/20; A23P 30/10; A23G 9/221;
A23G 1/226; A23G 3/0268; A23G
3/0273; A21C 11/16; A21C 11/106
See application file for complete search history.

FIG. 1 is a perspective view of an ice ball press, showing the new design;

FIG. 2 is a front elevation view thereof, the rear elevation view being identical;

FIG. 3 is a right side elevation view thereof, the left side elevation view being identical;

FIG. 4 is a top plan view thereof;

FIG. 5 is a bottom plan view thereof;

FIG. 6 is a perspective view of a bottom portion of the ice ball press with a top portion removed;

FIG. 7 is a front elevation view of the bottom portion of the ice ball press with the top portion removed, the rear elevation view being identical;

FIG. 8 is a right side elevation view of the bottom portion of the ice ball press with the top portion removed, the left side elevation view being identical;

FIG. 9 is a top plan view of the bottom portion of the ice ball press with the top portion removed; and,

FIG. 10 is a perspective view of the top portion of the ice ball press.

The broken lines show portions of the ice ball press that form no part of the claimed design.

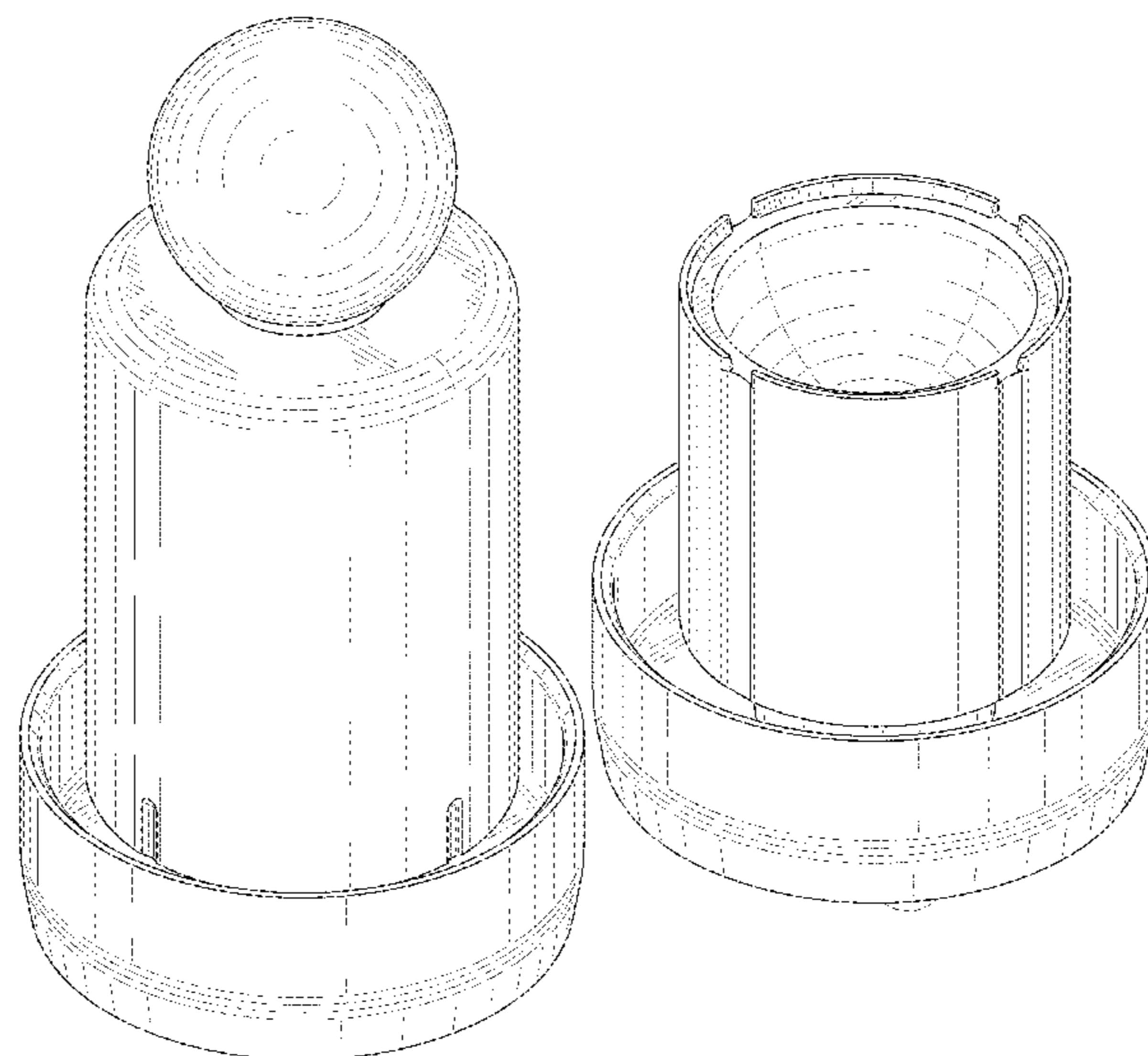
(56) **References Cited**

U.S. PATENT DOCUMENTS

436,818 A * 9/1890 Wiatt A47J 43/20
425/318
D53,135 S * 3/1919 Osius D7/672
1,618,685 A * 2/1927 Stauffer A21C 11/106
30/130
2,619,050 A * 11/1952 Forbes A23G 3/0268
425/410
D179,230 S * 11/1956 Williamson D7/677
3,262,404 A * 7/1966 Morz A21C 11/16
425/183

(Continued)

1 Claim, 7 Drawing Sheets



(56)

References Cited

U.S. PATENT DOCUMENTS

| | | | | | | |
|--------------|----|---|---------|------------|-------|------------|
| D409,055 | S | * | 5/1999 | Johnson | | D7/677 |
| D492,552 | S | * | 7/2004 | Glucksman | | D7/672 |
| D695,577 | S | * | 12/2013 | Bourbeau | | D7/672 |
| D725,442 | S | * | 3/2015 | Coomer | | D7/672 |
| D739,688 | S | * | 9/2015 | Szymanski | | D7/672 |
| D795,660 | S | * | 8/2017 | Lowetz | | D7/673 |
| D803,904 | S | * | 11/2017 | Frank | | D15/90 |
| D805,361 | S | * | 12/2017 | Bellacicco | | D7/672 |
| D828,120 | S | * | 9/2018 | Byeon | | D7/672 |
| D847,572 | S | * | 5/2019 | Ou | | D7/672 |
| 10,493,647 | B2 | * | 12/2019 | Bagley | | B26D 3/26 |
| D923,067 | S | * | 6/2021 | Zhao | | D15/90 |
| 2019/0014811 | A1 | * | 1/2019 | Vanneste | | A47J 43/20 |

OTHER PUBLICATIONS

Williams Sonoma, Cirruccs 2.75" Ice Ball Press Kit, Oct. 11, 2012, Youtube, https://www.youtube.com/watch?v=uVwhVz_y8m0 (Year: 2012).*

DRVNPRO Ice Ball Press, Jul. 4, 2018, DRVNPRO, <http://www.drvnpro.com/product/drvnpro-ice-ball-press/> (Year: 2018).*

* cited by examiner

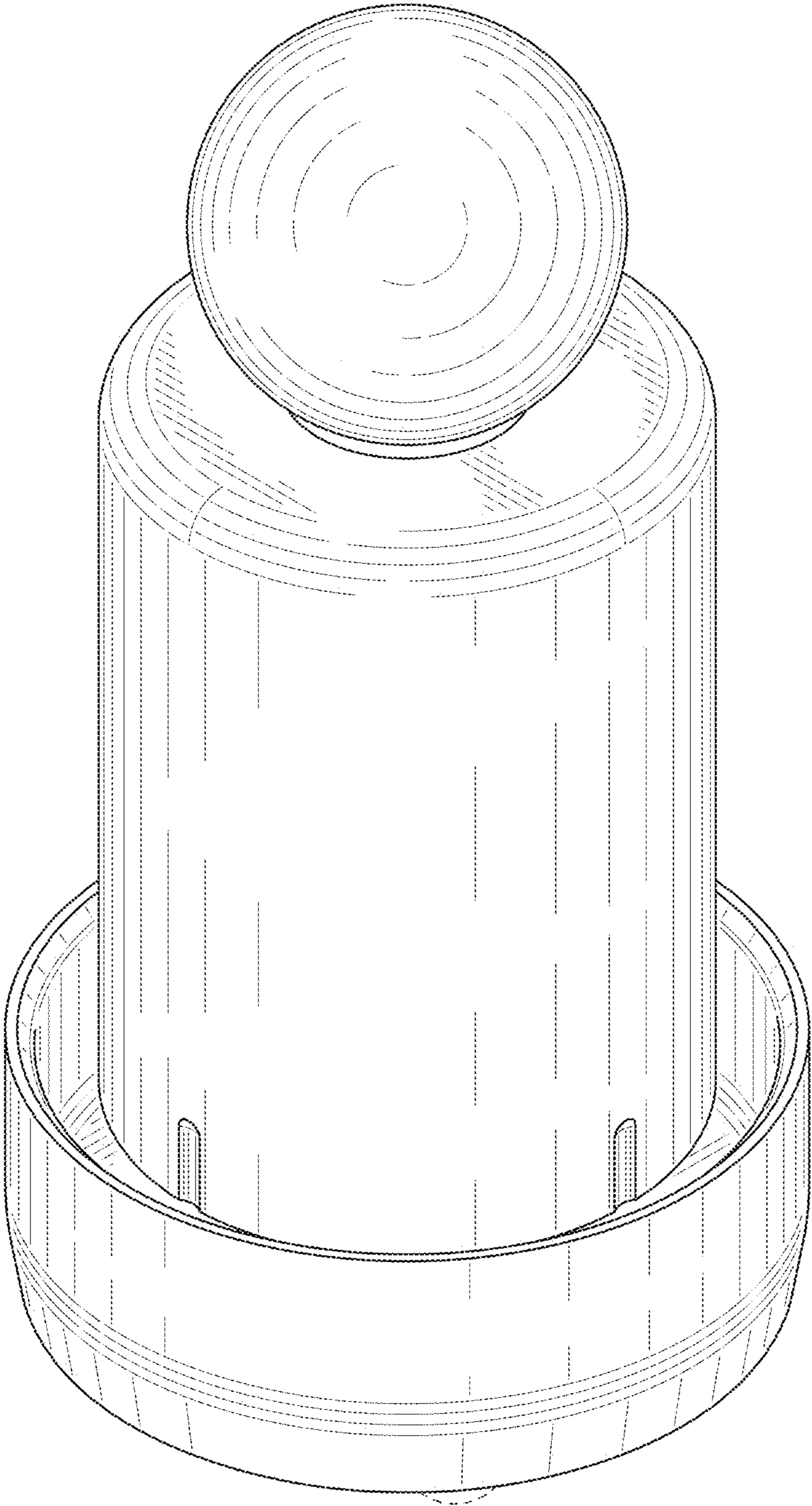


FIG. 1

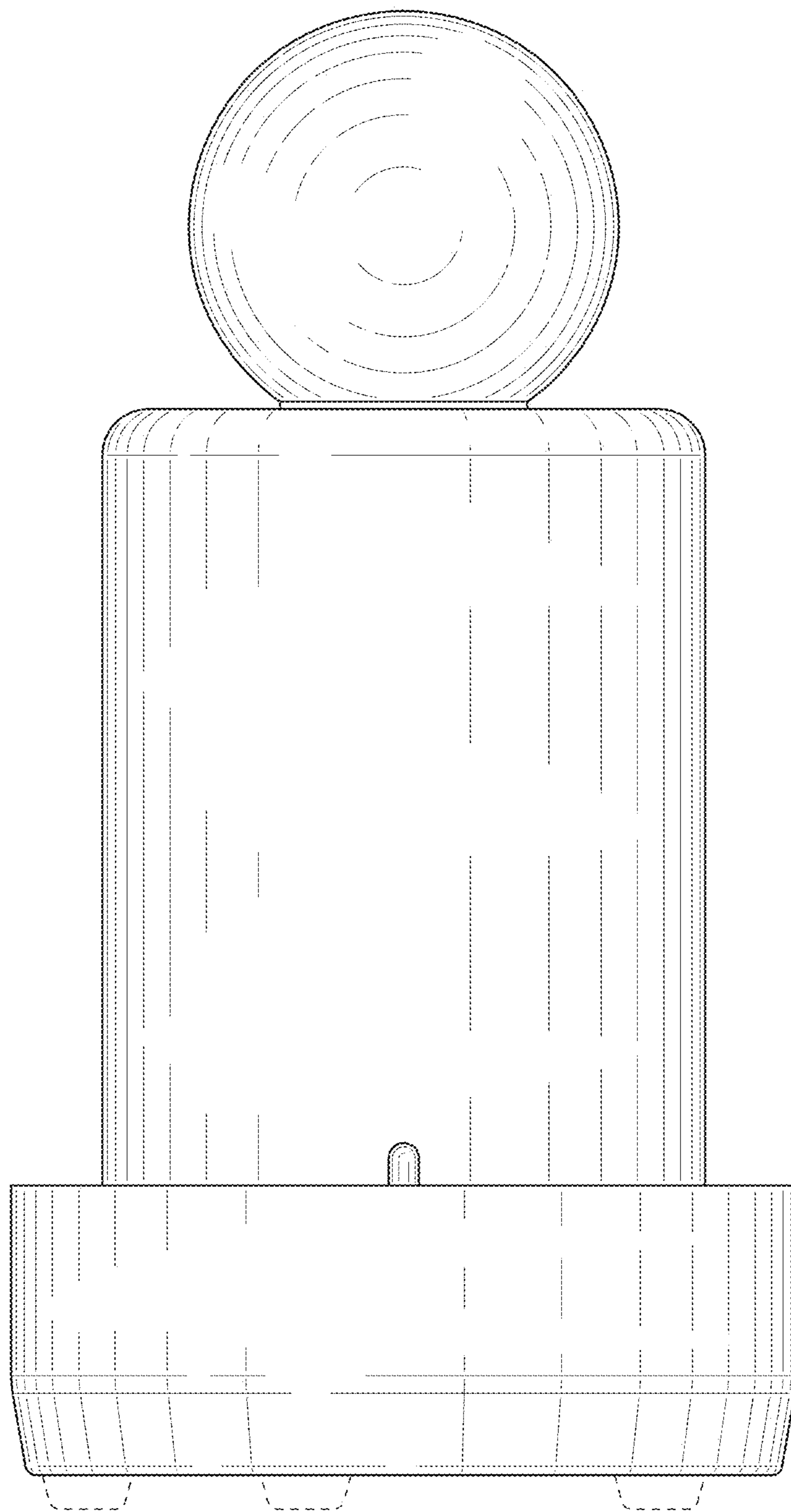


FIG. 2

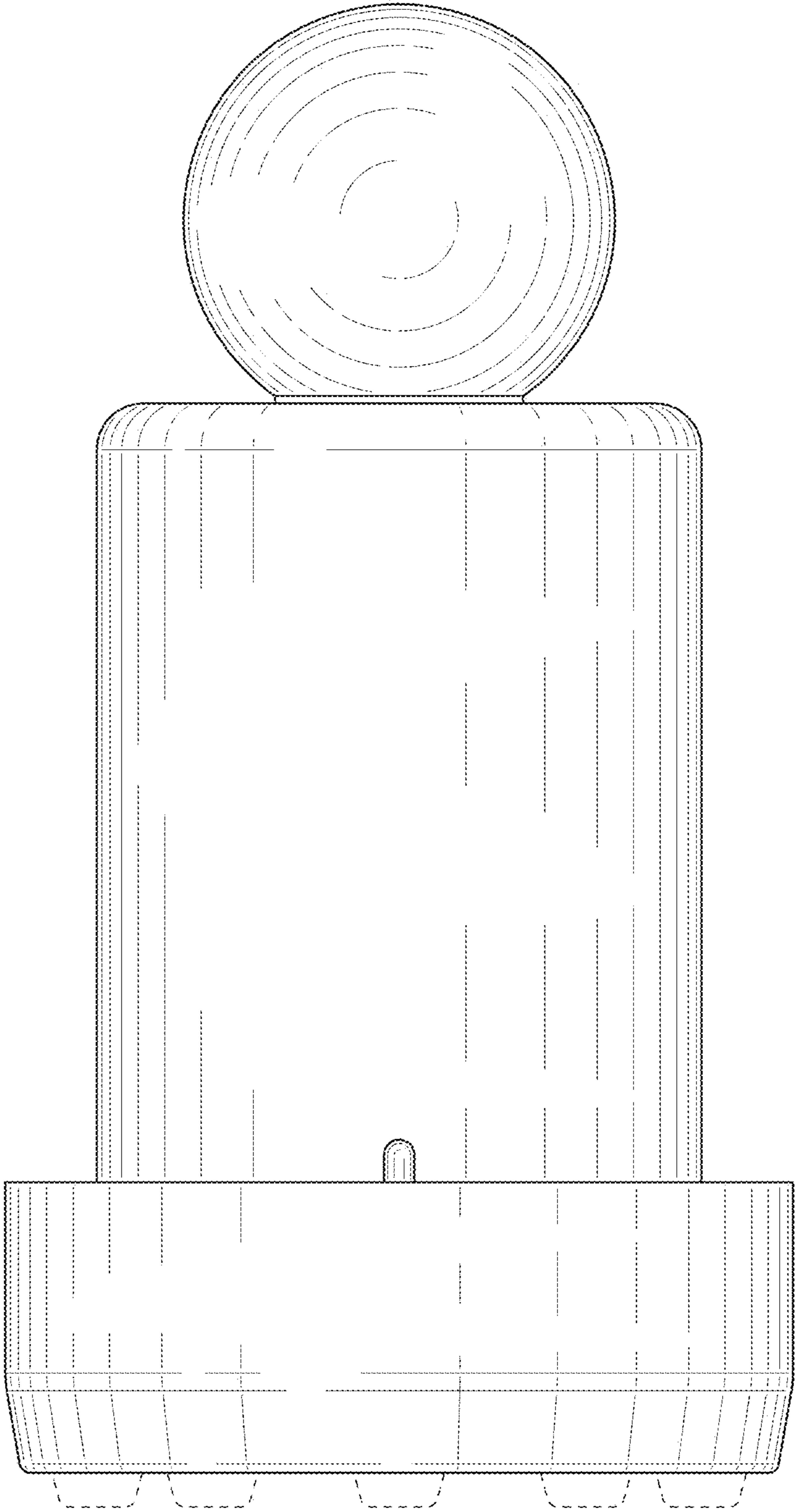


FIG. 3

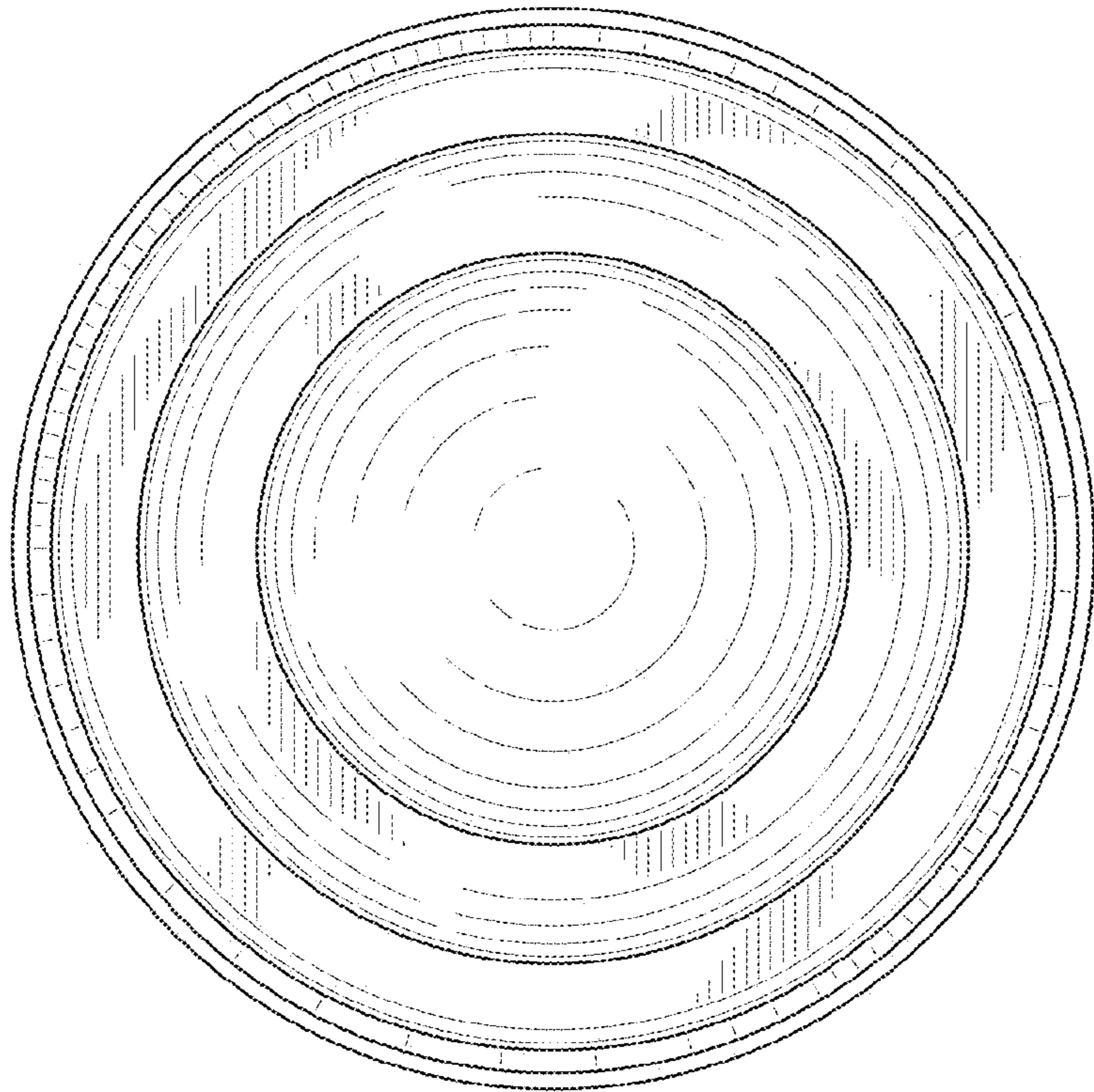


FIG. 4

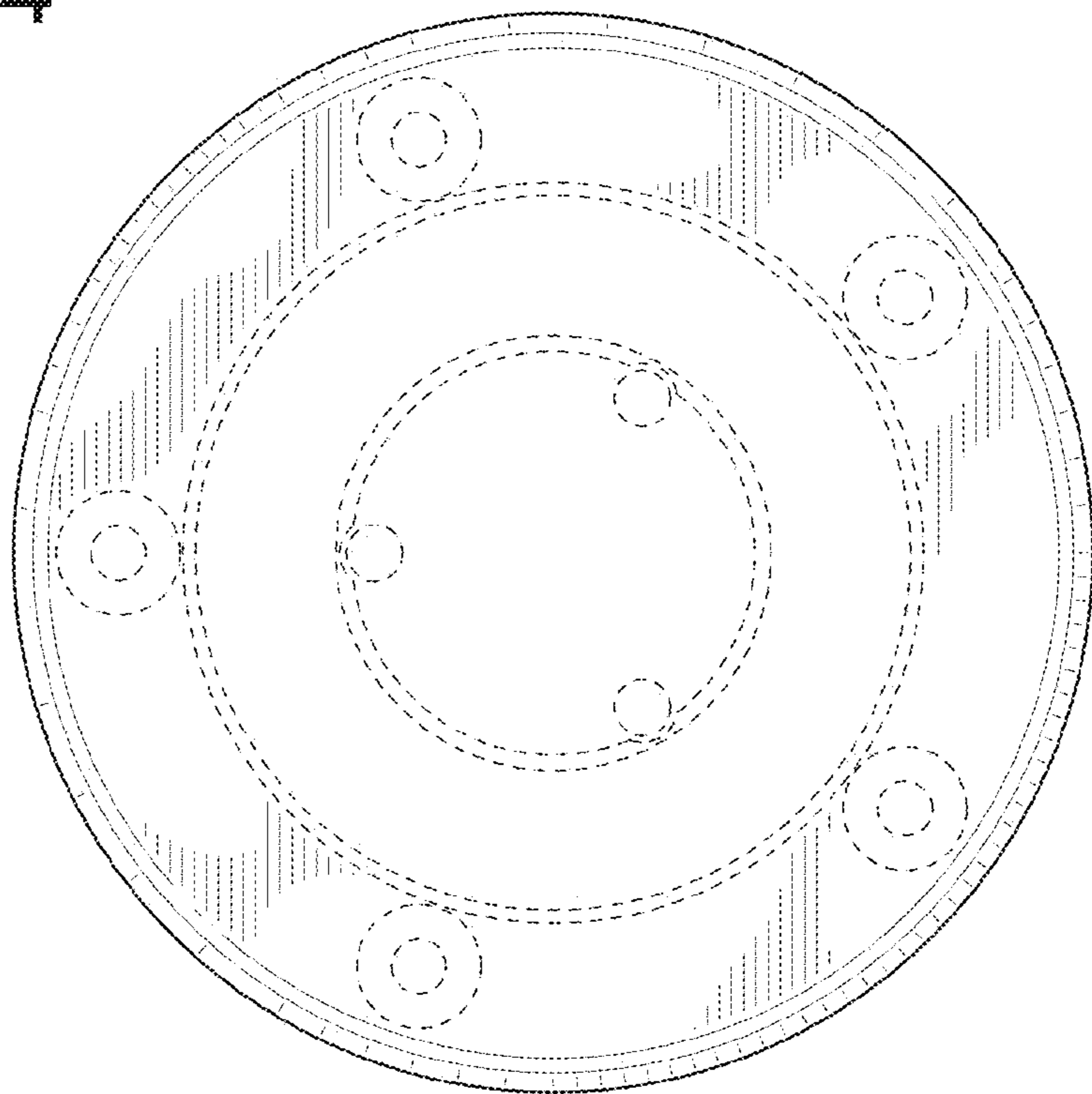


FIG. 5

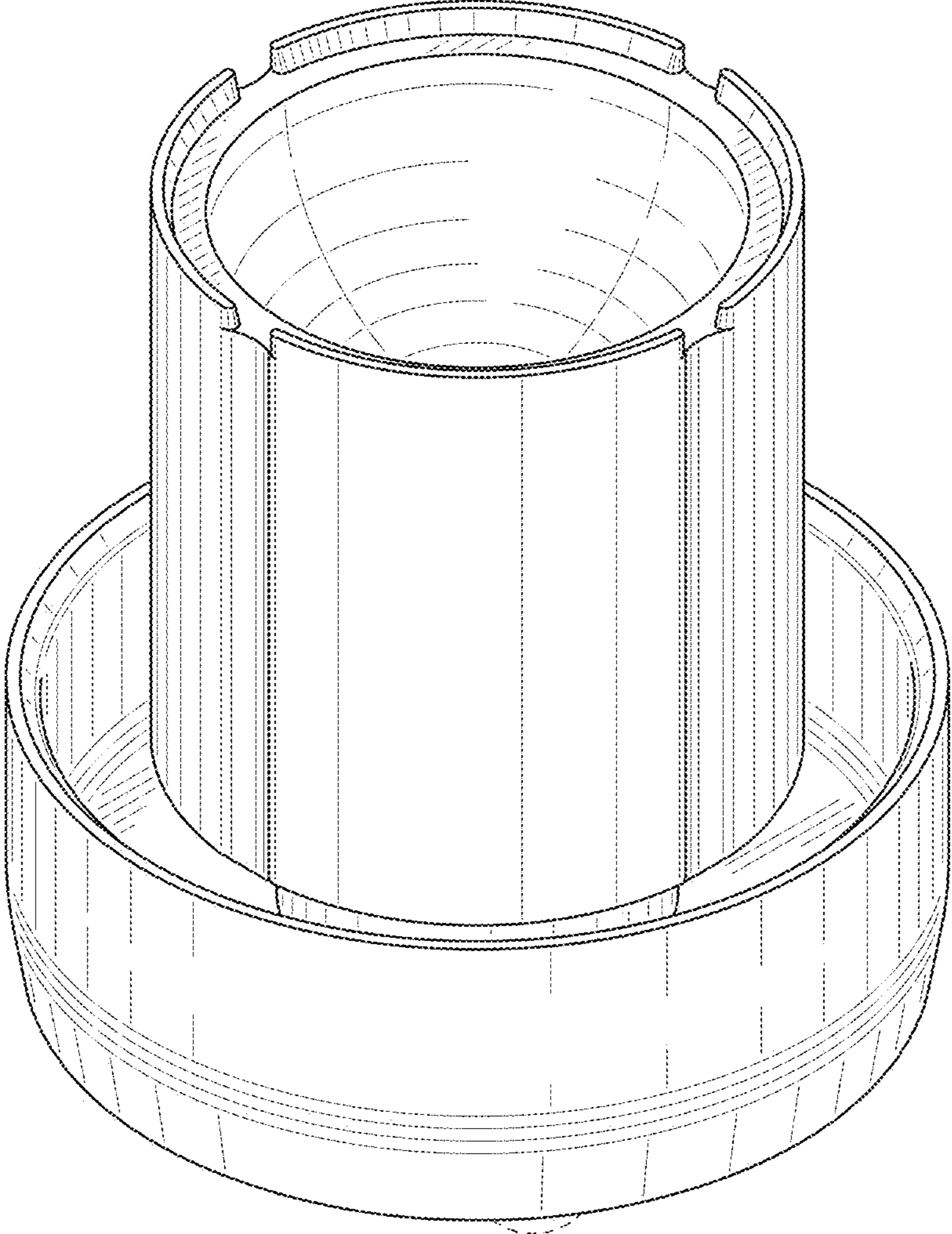


FIG. 6

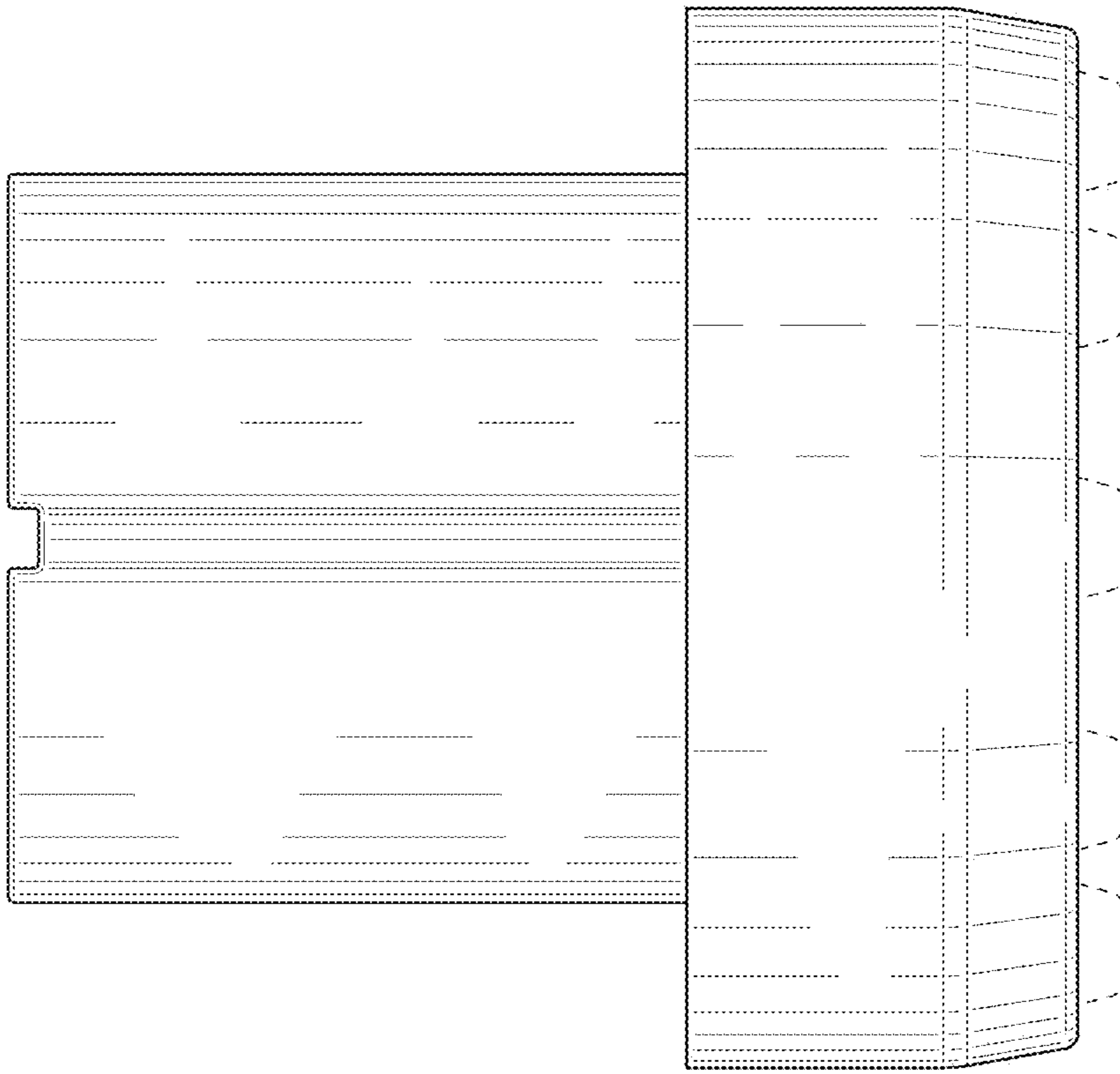


FIG. 8

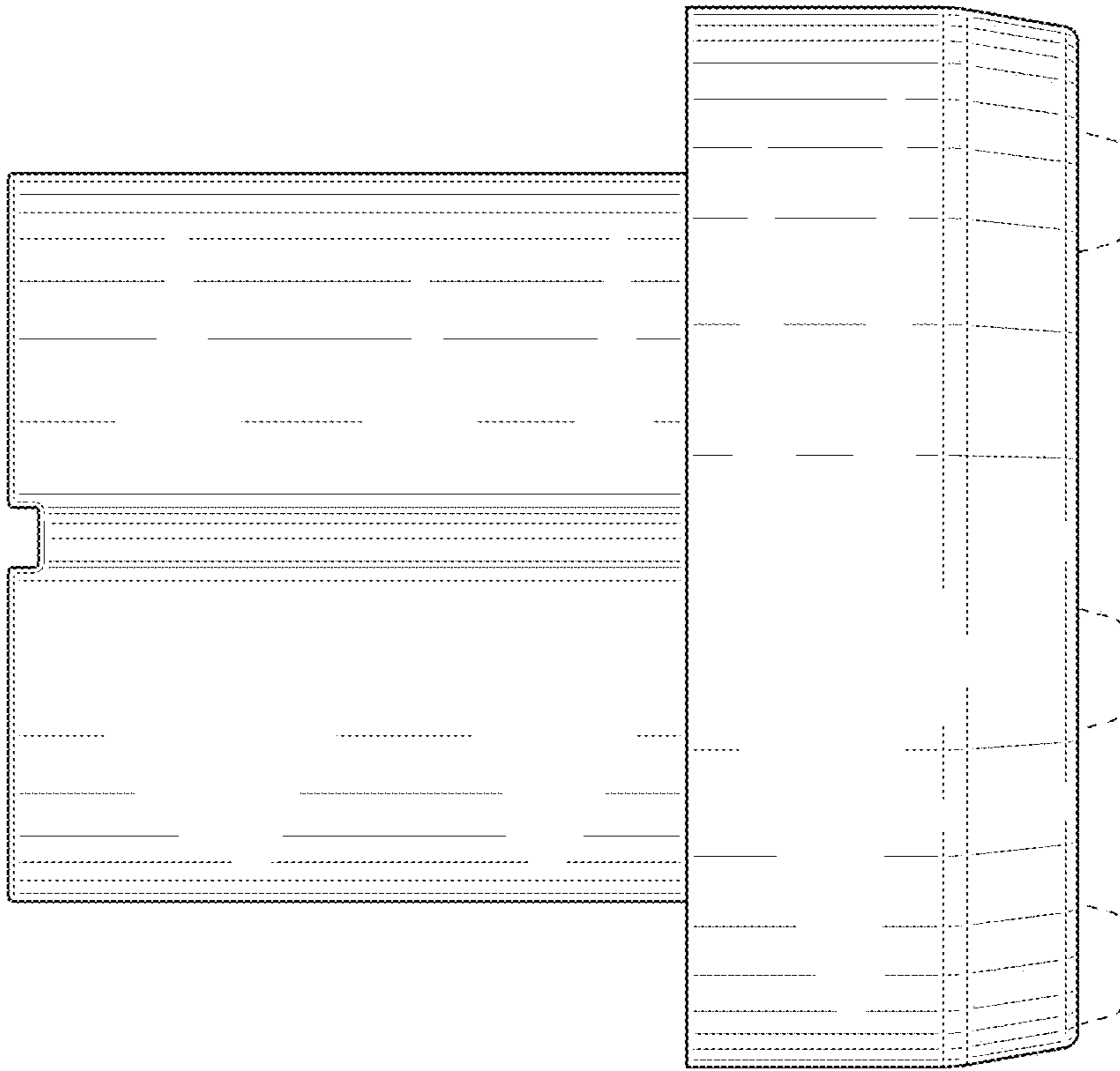


FIG. 7

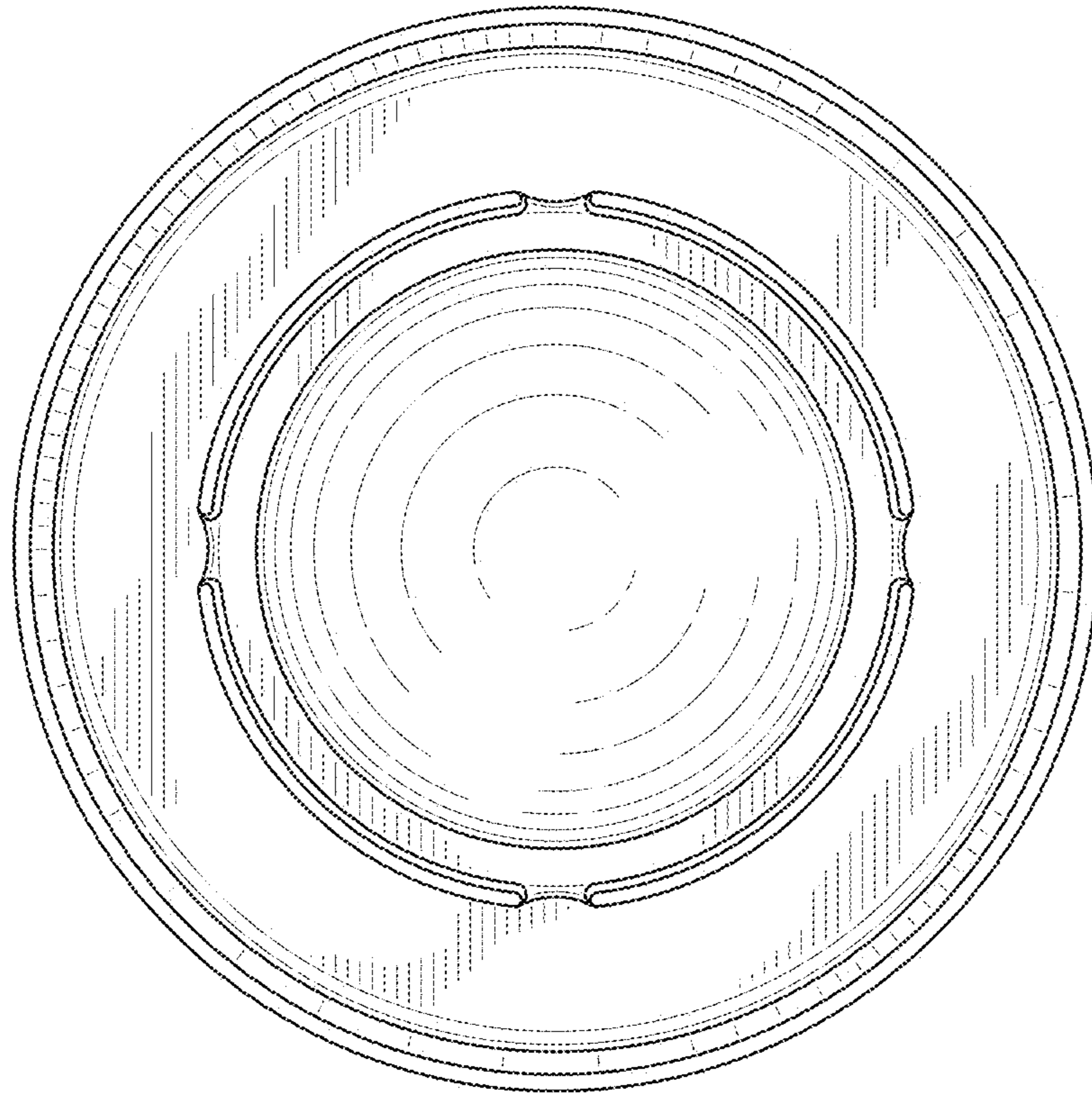


FIG. 9

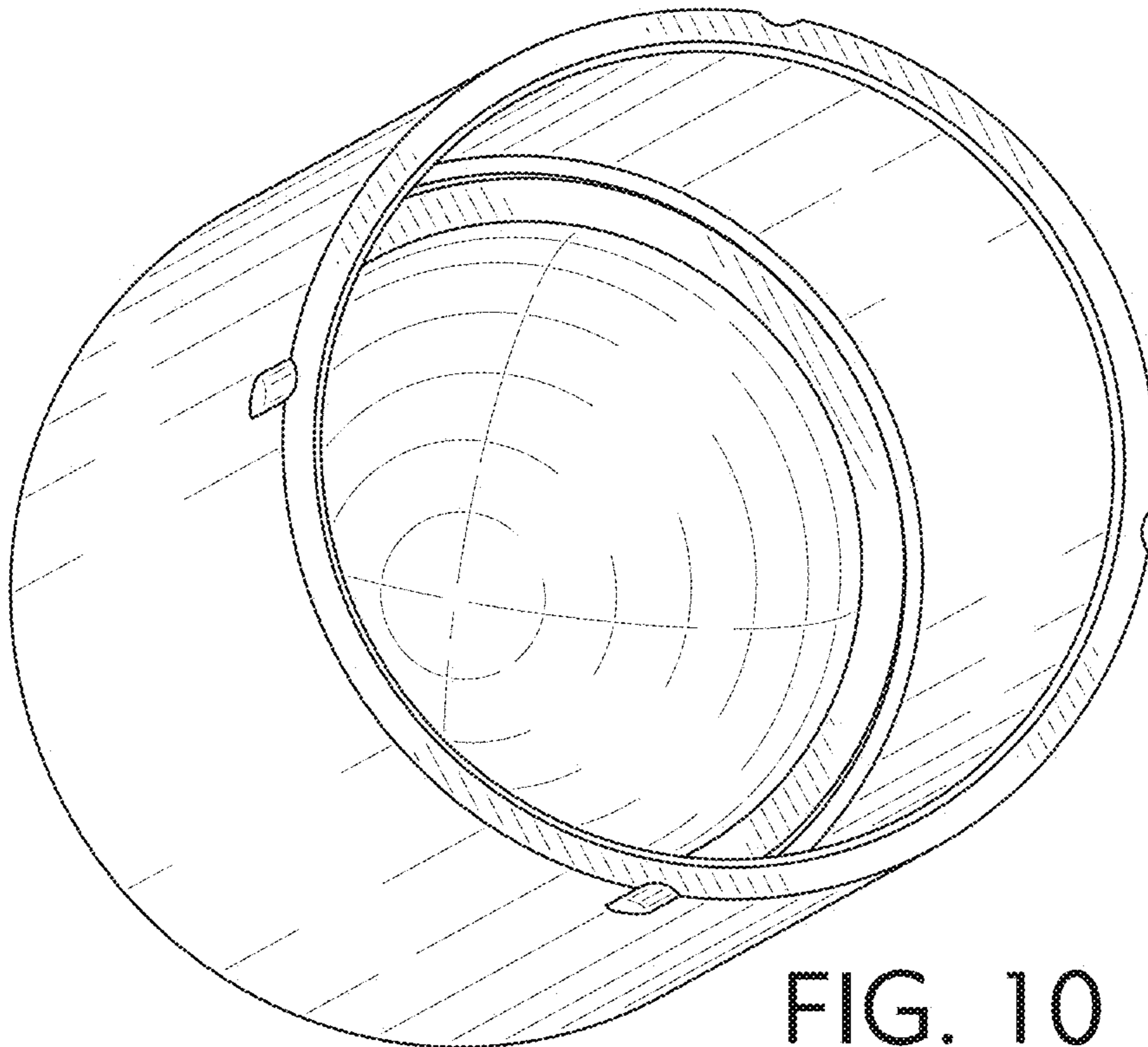


FIG. 10