



US00D938237S

(12) **United States Design Patent** (10) **Patent No.:** **US D938,237 S**
Chen (45) **Date of Patent:** **** Dec. 14, 2021**

(54) **POPSICLE MOLD**
(71) Applicant: **Xiaoyan Chen**, Guangdong (CN)
(72) Inventor: **Xiaoyan Chen**, Guangdong (CN)
(**) Term: **15 Years**
(21) Appl. No.: **29/695,686**
(22) Filed: **Jun. 21, 2019**
(51) **LOC (13) Cl.** **07-07**
(52) **U.S. Cl.**
USPC **D7/672**; D15/90
(58) **Field of Classification Search**
USPC D7/332, 334, 339, 368, 387, 388, 393,
D7/402, 404, 405, 406, 672, 688, 697,
D7/698; D6/300, 546, 549; D8/300,
D8/315; D12/198; D20/22, 28;
D24/183, 184; D29/122; D15/90
CPC .. A47J 36/00; A47J 37/00; A47J 37/06; A47J
43/00; A47J 43/20; A47J 47/00; A21C
11/004; A21C 11/006; A21C 11/008;
A23G 9/083; A23G 9/221; F25C 1/243
See application file for complete search history.

(56) **References Cited**
U.S. PATENT DOCUMENTS
2,591,261 A * 4/1952 Holahan F25C 1/24
249/92
2,955,044 A * 10/1960 Tupper F25D 3/08
426/515
D269,578 S * 7/1983 Straubinger D7/672
5,256,426 A * 10/1993 Tomioka A23G 9/14
426/100
D594,626 S * 6/2009 Reed D1/105
D796,273 S * 9/2017 Knauf D7/672
D921,067 S * 6/2021 Chen D15/90

2010/0266730 A1* 10/2010 Patton A23G 9/506
426/90
2012/0282317 A1* 11/2012 Ekstein A61K 9/0056
424/439
2013/0011531 A1* 1/2013 Wolf A23G 9/083
426/241
2018/0242612 A1* 8/2018 Pereira Da Silva A23G 9/22

OTHER PUBLICATIONS

Design No. 302929117, Sep. 3, 2014—China National Intellectual Property Administration (CNIPA) Publication Date—Sep. 3, 2014 Owner—Kongjiajun WIPO, available at <https://www3.wipo.int/designdb/en/index.jsp> (Year: 2014).*
Design No. 302962273, May 30, 2014—China National Intellectual Property Administration (CNIPA) Publication Date—Oct. 8, 2014 Owner—Li Guan Ming WIPO, available at <https://www3.wipo.int/designdb/en/index.jsp> (Year: 2014).*

(Continued)

Primary Examiner — Mary Ann Calabrese
Assistant Examiner — Natalya M Rapundalo

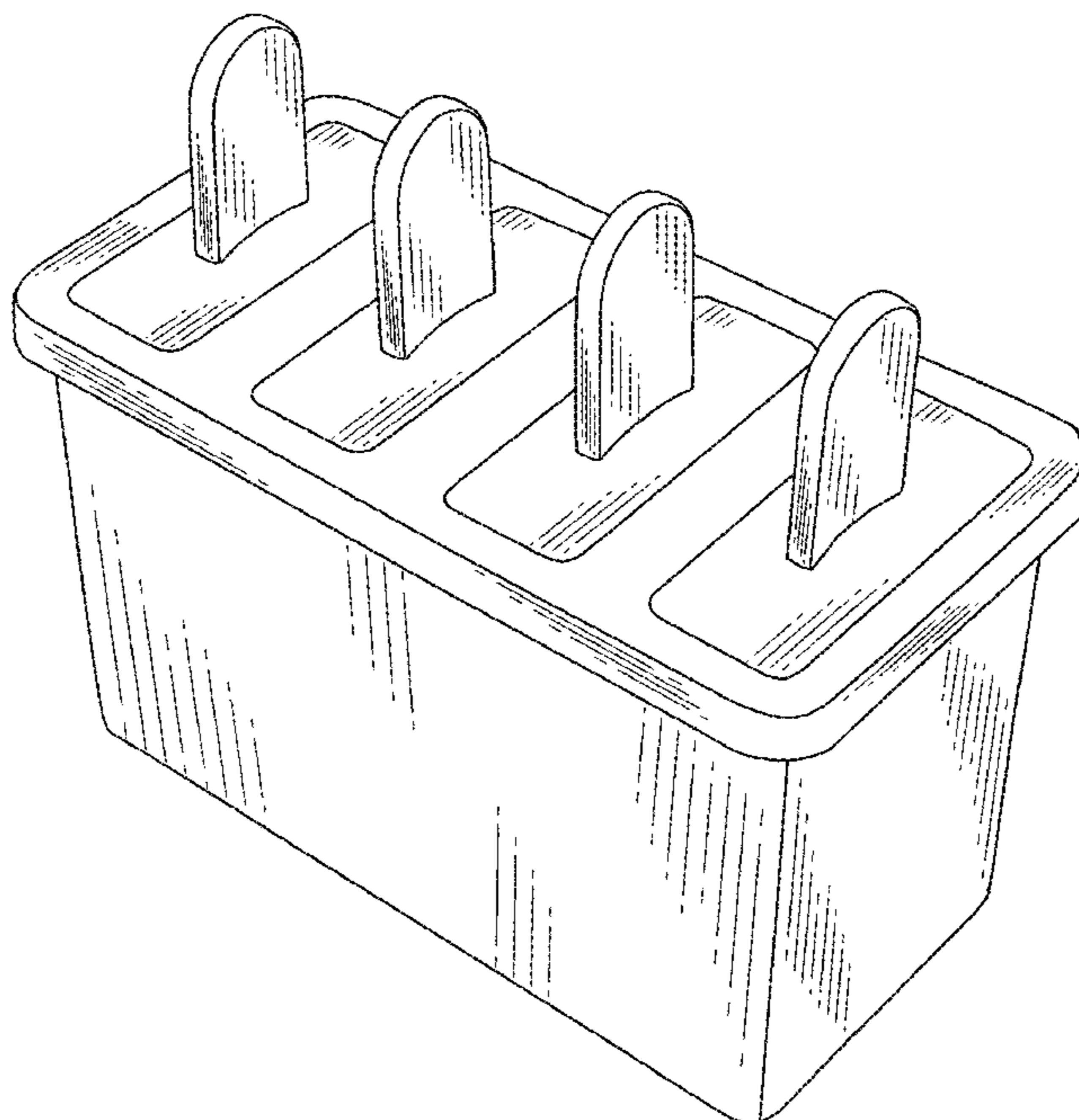
(57) **CLAIM**

The ornamental design for a popsicle mold, as shown and described.

DESCRIPTION

FIG. 1 is a perspective view of a popsicle mold showing my new design;
FIG. 2 is a front elevational view thereof;
FIG. 3 is a rear elevational view thereof;
FIG. 4 is a left side elevational view thereof;
FIG. 5 is a right side elevational view thereof;
FIG. 6 is a top plan view thereof;
FIG. 7 is a bottom plan view thereof;
FIG. 8 is an exploded perspective view thereof; and,
FIG. 9 is another exploded perspective view thereof.

1 Claim, 9 Drawing Sheets



(56)

References Cited

OTHER PUBLICATIONS

Kootek Popsicle Molds Set, first available Jun. 27, 2018, Amazon, [online], [site visited Jan. 4, 2021], Available from internet URL: <https://www.amazon.com/Kootek-Popsicle-Molds-Makers-Reusable/dp/B07F2BY85X> (Year: 2018).*

Folgtek Ice Tray Ice Pop Maker Popsicle Molds, first available Jun. 29, 2020, Amazon, [online], [site visited Jan. 7, 2021], Available from internet URL: <https://www.amazon.com/Maker-Popsicle-Reusable-Plastic-Blue-Ice/dp/B08BZ6LQ4G> (Year: 2020).*

* cited by examiner

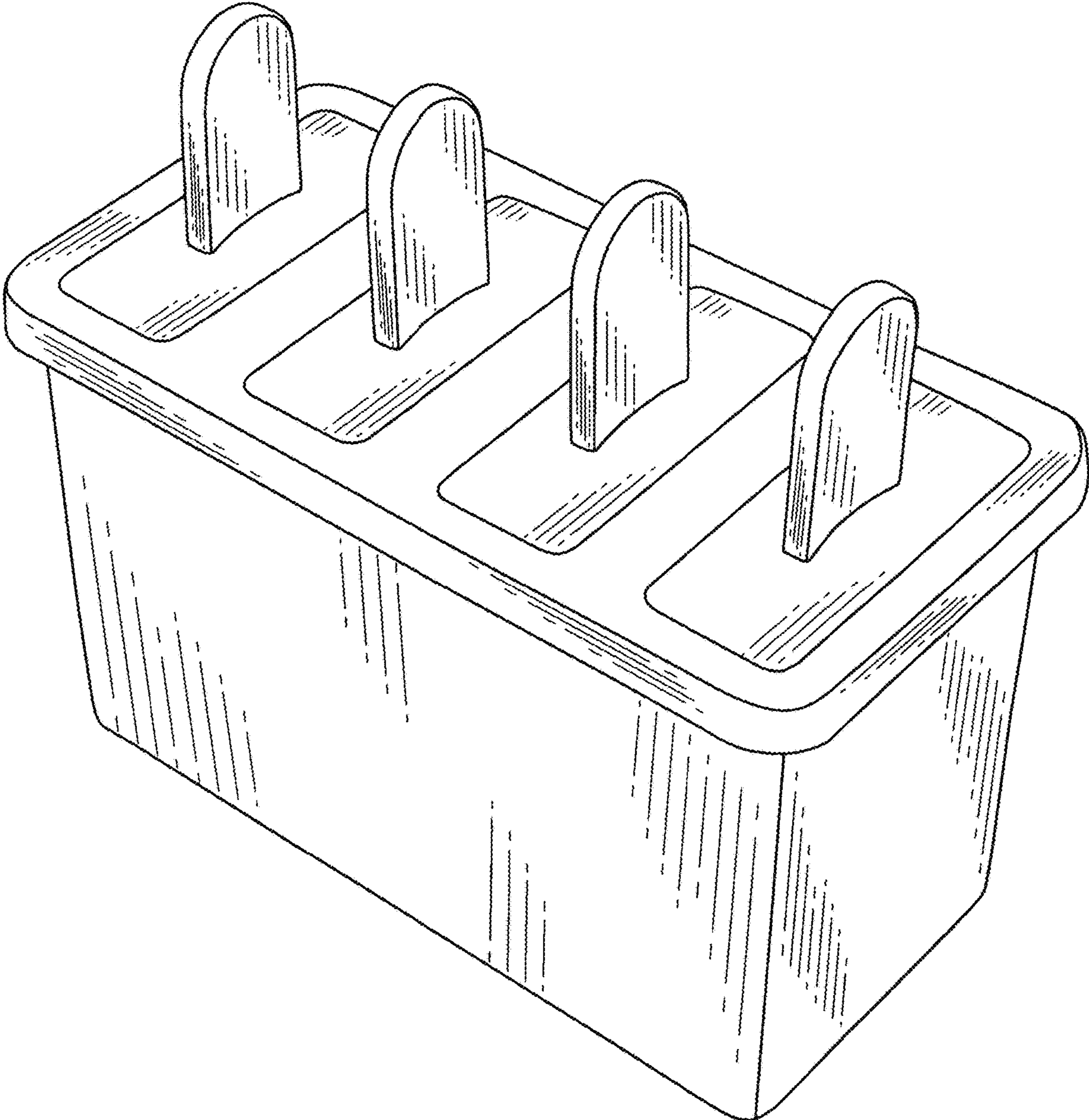


FIG. 1

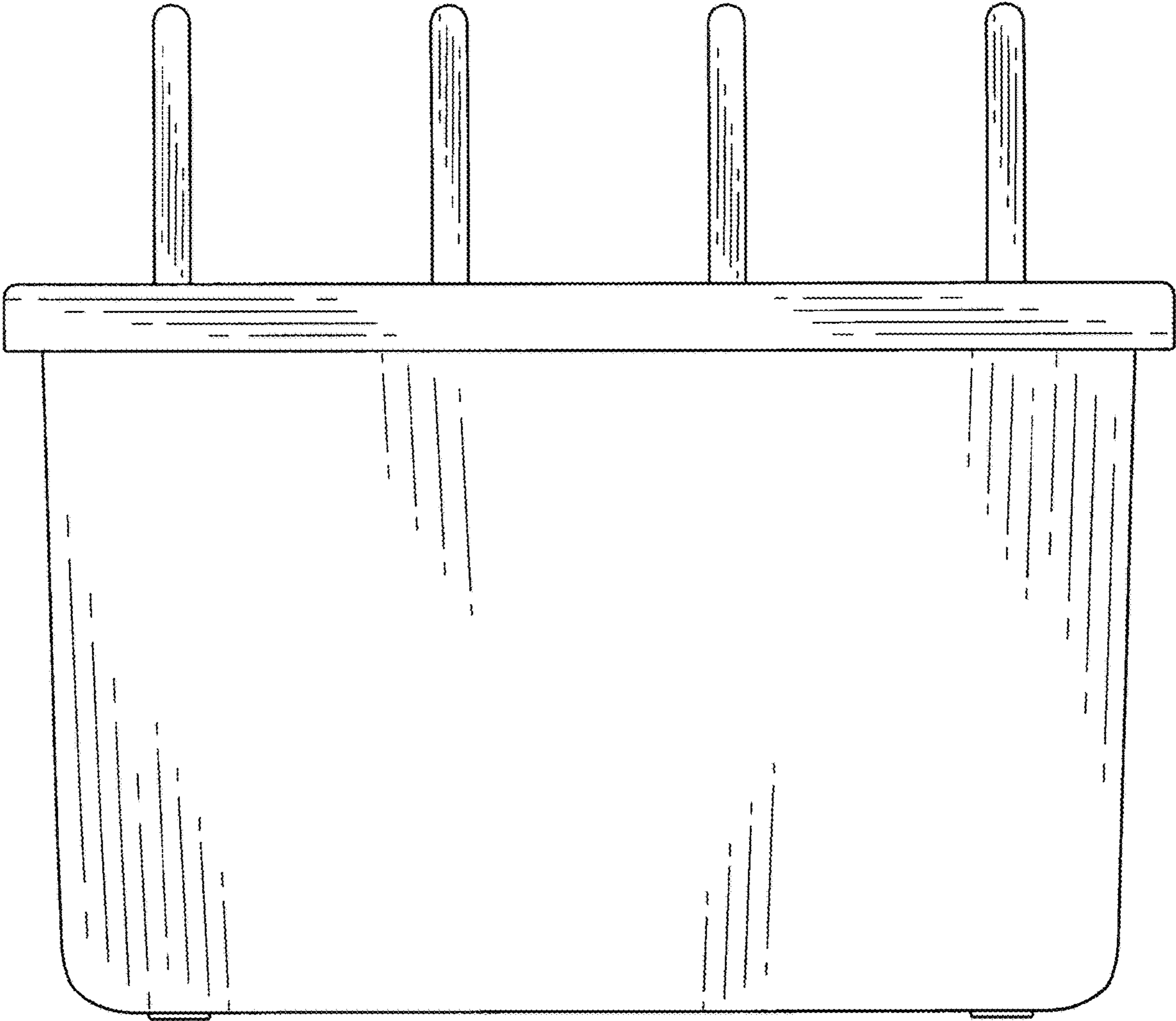


FIG. 2

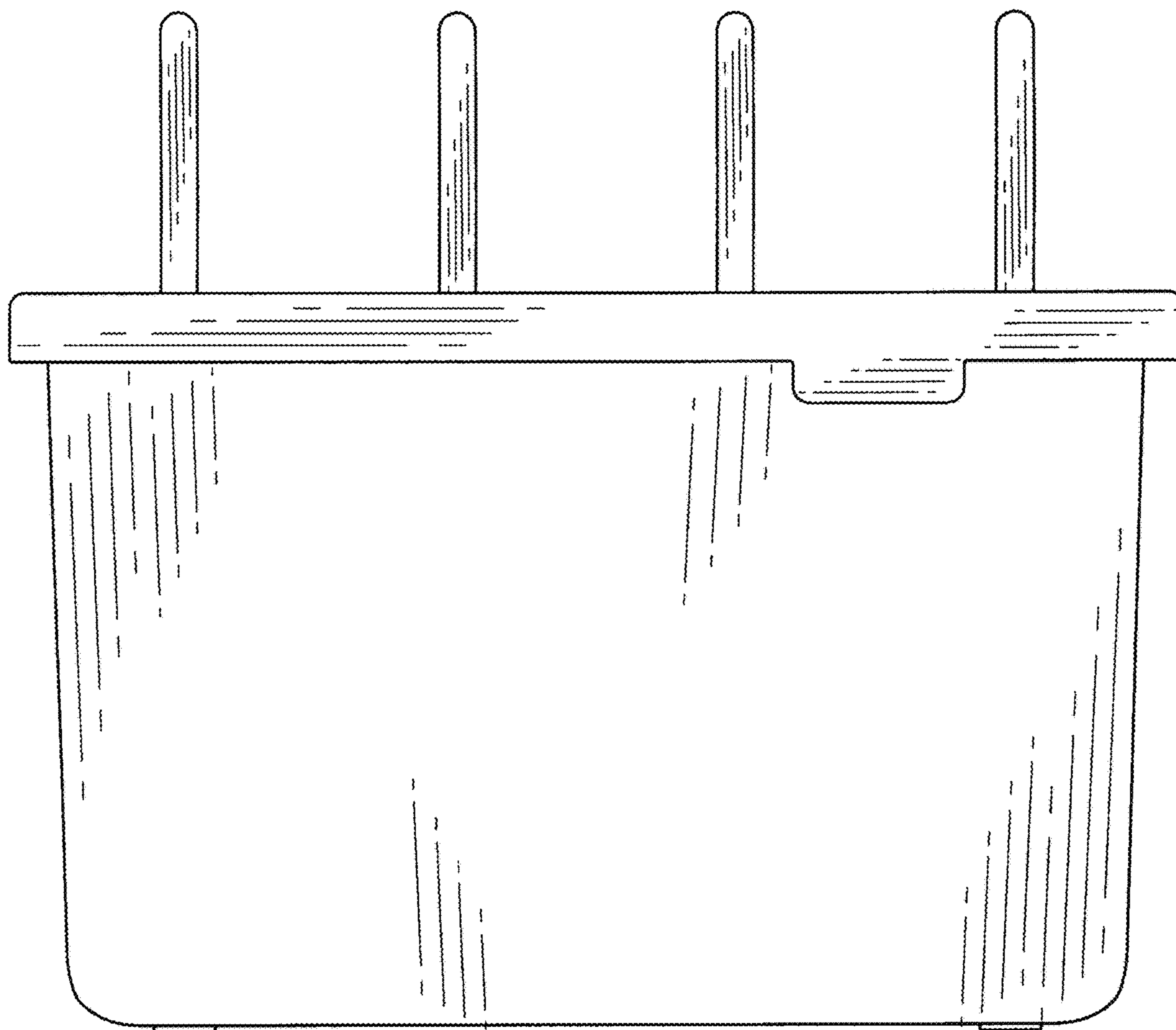


FIG. 3

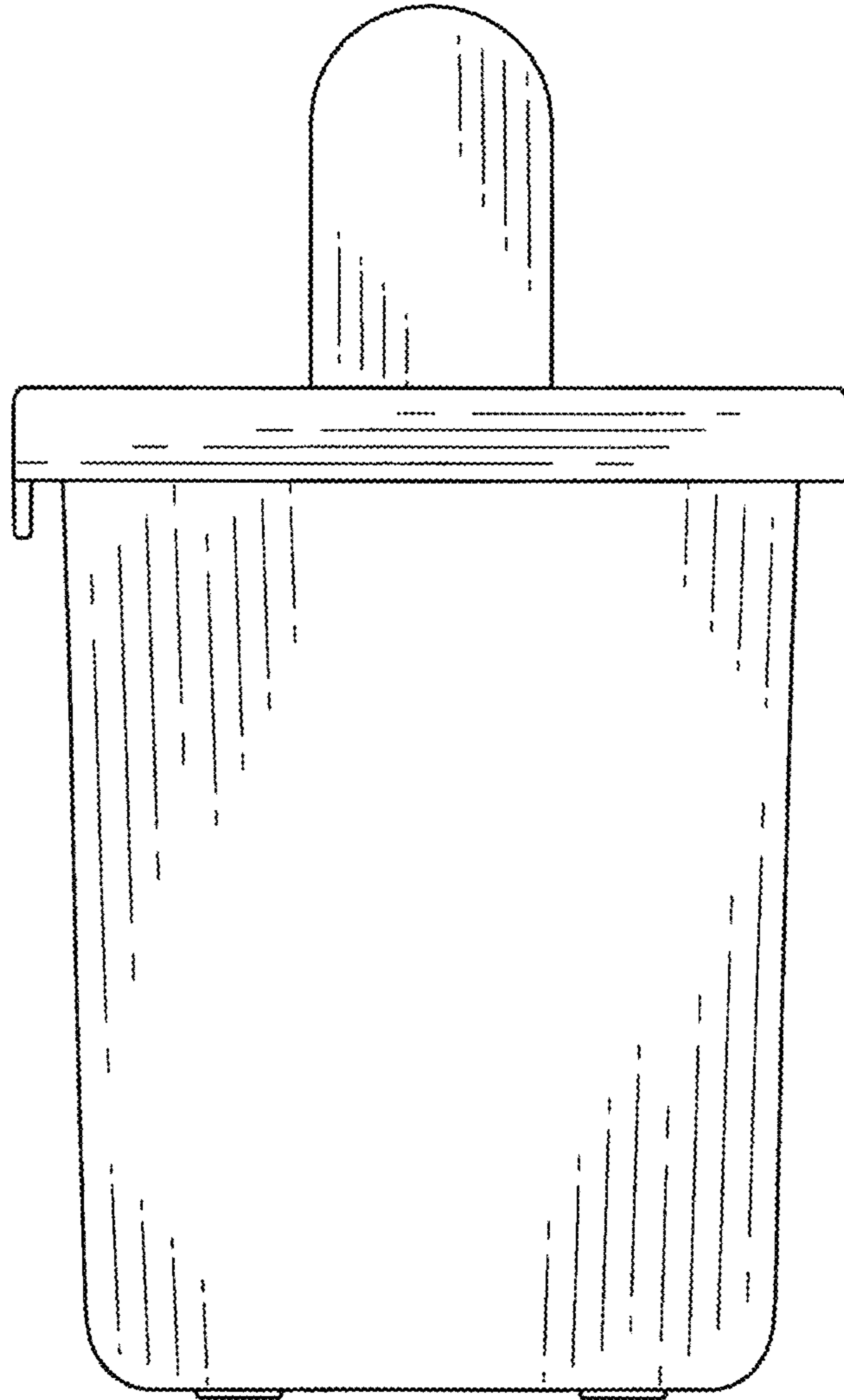


FIG. 4

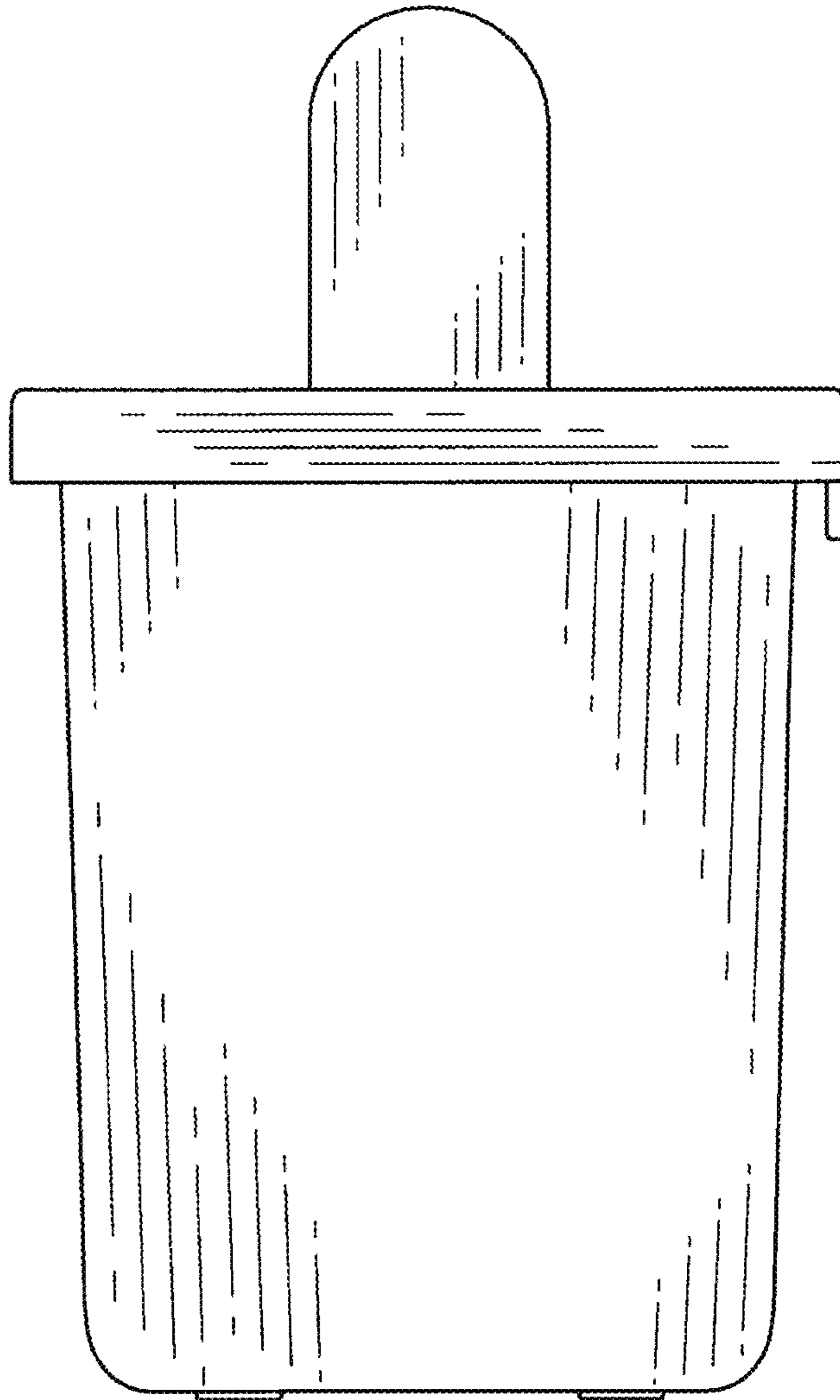


FIG. 5

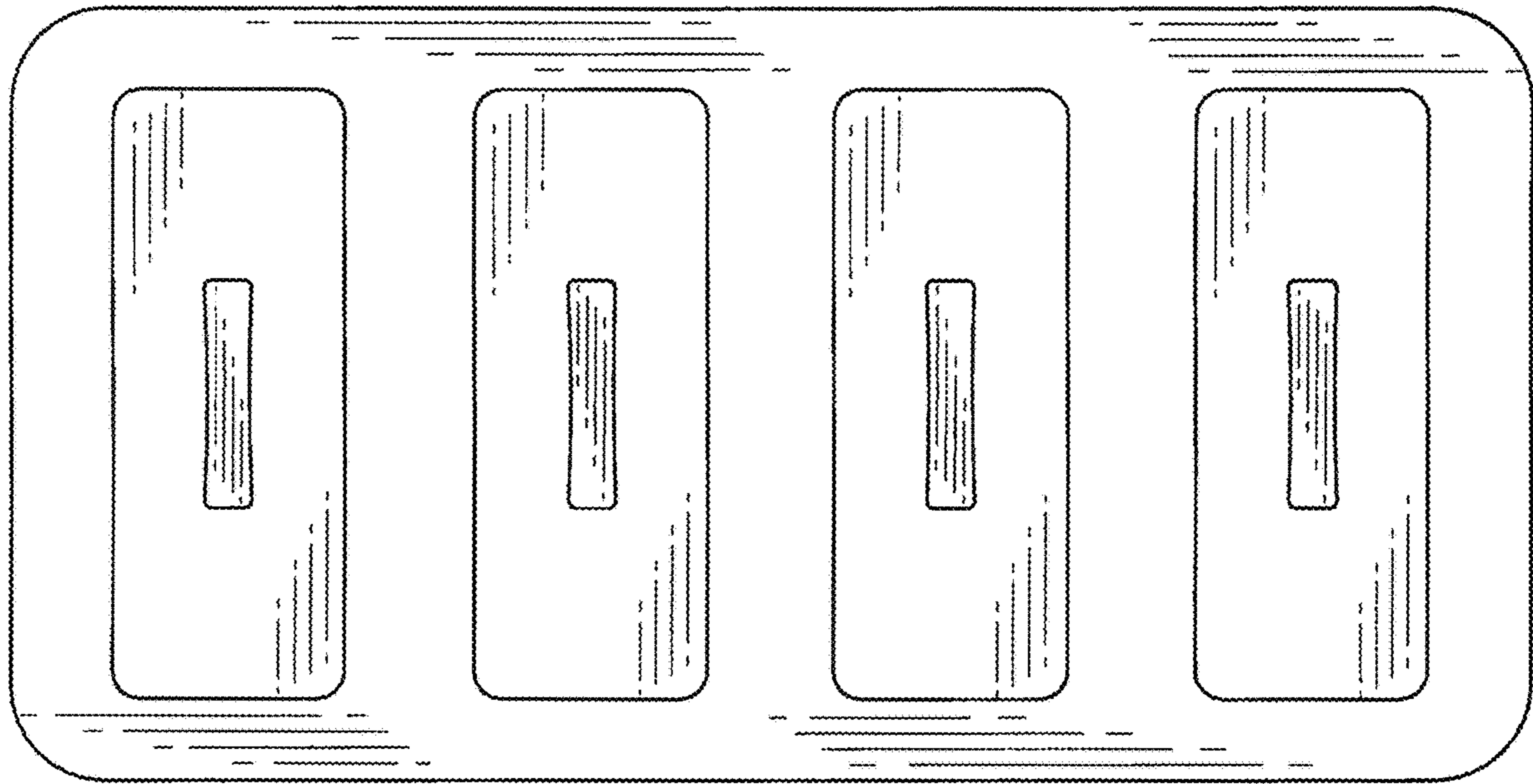


FIG. 6

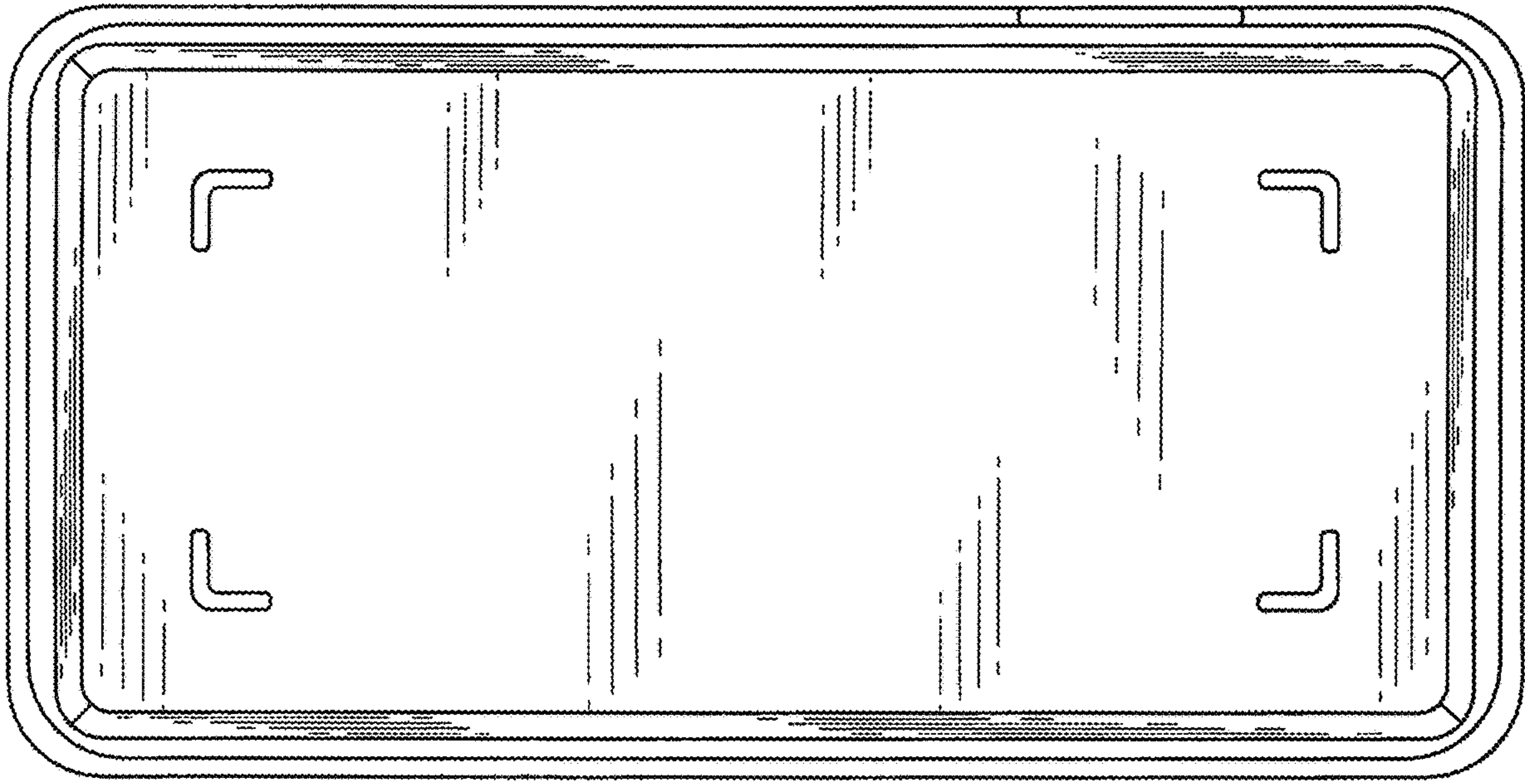


FIG. 7

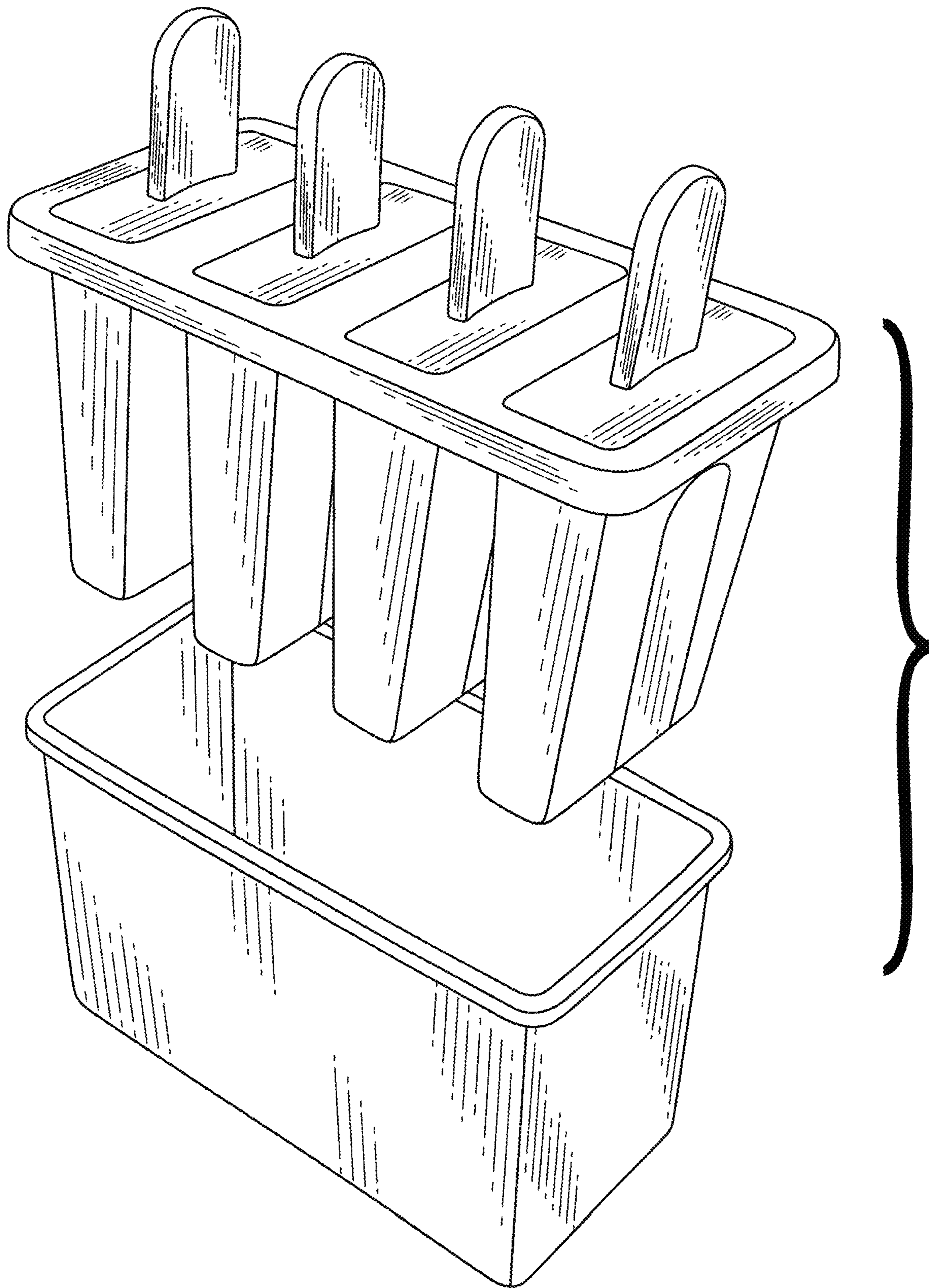


FIG. 8

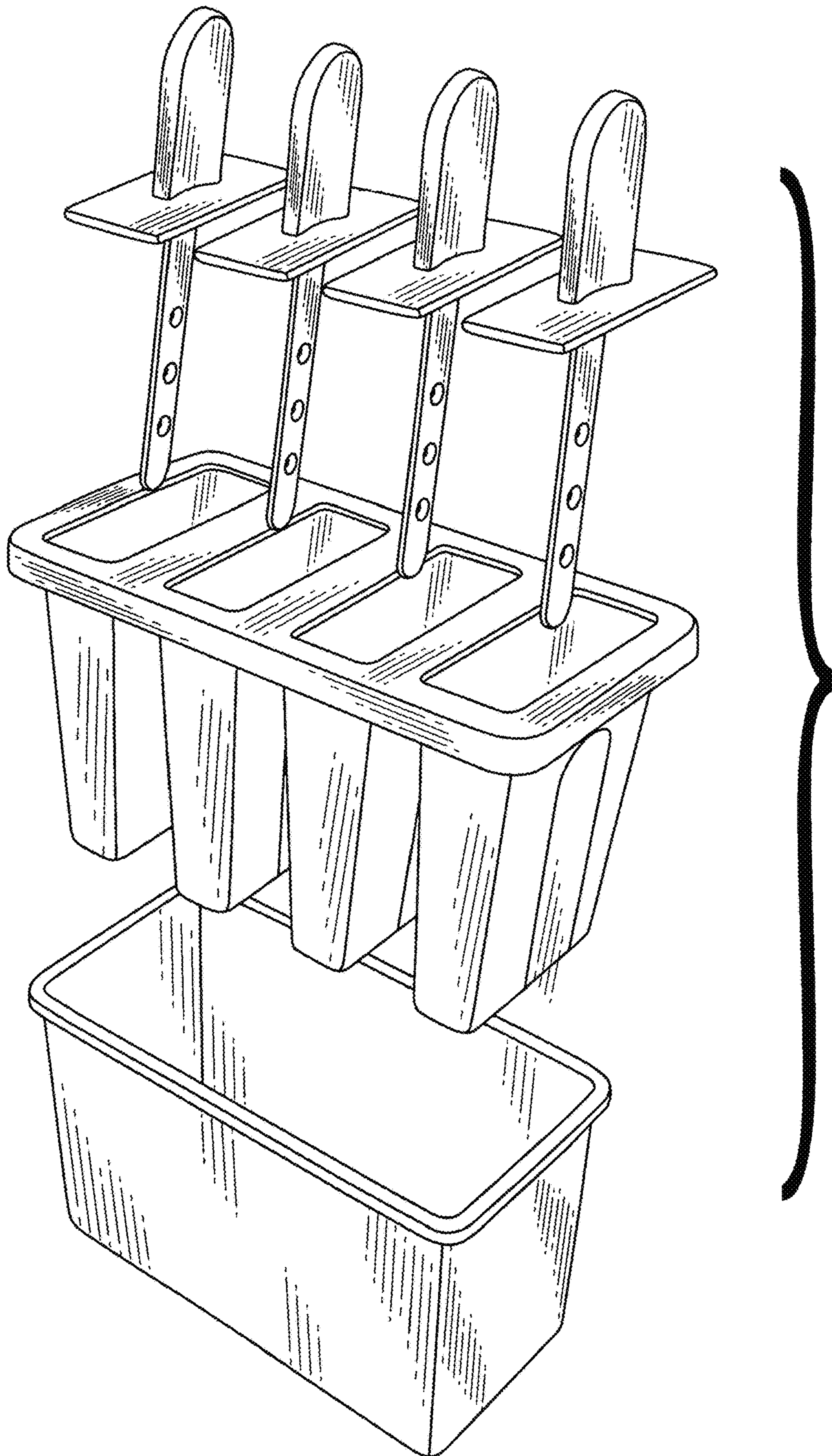


FIG. 9