



US00D938236S

(12) **United States Design Patent** (10) **Patent No.:** **US D938,236 S**
Yen (45) **Date of Patent:** **** Dec. 14, 2021**

(54) **FOOD STORAGE CONTAINER**
(71) Applicant: **Omielife, Inc.**, San Francisco, CA (US)
(72) Inventor: **Nancy Yen**, San Francisco, CA (US)
(73) Assignee: **Omielife, Inc.**, San Francisco, CA (US)
(**) Term: **15 Years**
(21) Appl. No.: **29/669,535**
(22) Filed: **Nov. 8, 2018**
(51) **LOC (13) Cl.** **09-07**
(52) **U.S. Cl.**
USPC **D7/629**
(58) **Field of Classification Search**
USPC D7/601, 629, 550.1, 551.1, 551.2, 551.3,
D7/552.1, 552.2, 553.1, 553.2, 553.3,
D7/553.4, 553.5, 553.7, 553.8, 554.1,
D7/554.3, 554.4, 555, 557, 630, 538-542,
D7/612-615, 584, 586, 587, 392.1, 709,
D7/502, 608, 622; D9/424-432, 737,
D9/759, 761; D3/273, 274, 201-206,
D3/276, 283, 284, 295, 302
CPC B65D 1/36; B65D 25/04; B65D 21/0206;
B65D 2543/00175; B65D 2543/00296
See application file for complete search history.

7,861,552 B1 1/2011 Hughes
D666,061 S * 8/2012 Ying D7/629
D675,516 S * 2/2013 Horton D9/424
D688,921 S * 9/2013 Miros D7/629
D695,575 S * 12/2013 Katz D7/629
D708,486 S * 7/2014 Terracciano D7/629
D741,664 S * 10/2015 Kyle D7/629
D764,237 S * 8/2016 Yen D7/629
D787,895 S * 5/2017 Kilduff D7/629
D882,346 S * 4/2020 Armistead D7/629
D898,579 S * 10/2020 Riedel D9/574
D914,500 S * 3/2021 Blomberg D9/500
2004/0069677 A1* 4/2004 Baudin A45D 40/0068
206/581
2015/0298866 A1* 10/2015 Hagen B65D 43/0225
220/288
2020/0337428 A1* 10/2020 Lane A45C 13/02
2020/0359757 A1* 11/2020 Lee A45C 13/02

* cited by examiner

Primary Examiner — Susan E Krakower
Assistant Examiner — Andrew Kerr
(74) *Attorney, Agent, or Firm* — Loginov & Associates,
PLLC; William A. Loginov

(57) **CLAIM**

The ornamental design for a food storage container, substantially as shown.

DESCRIPTION

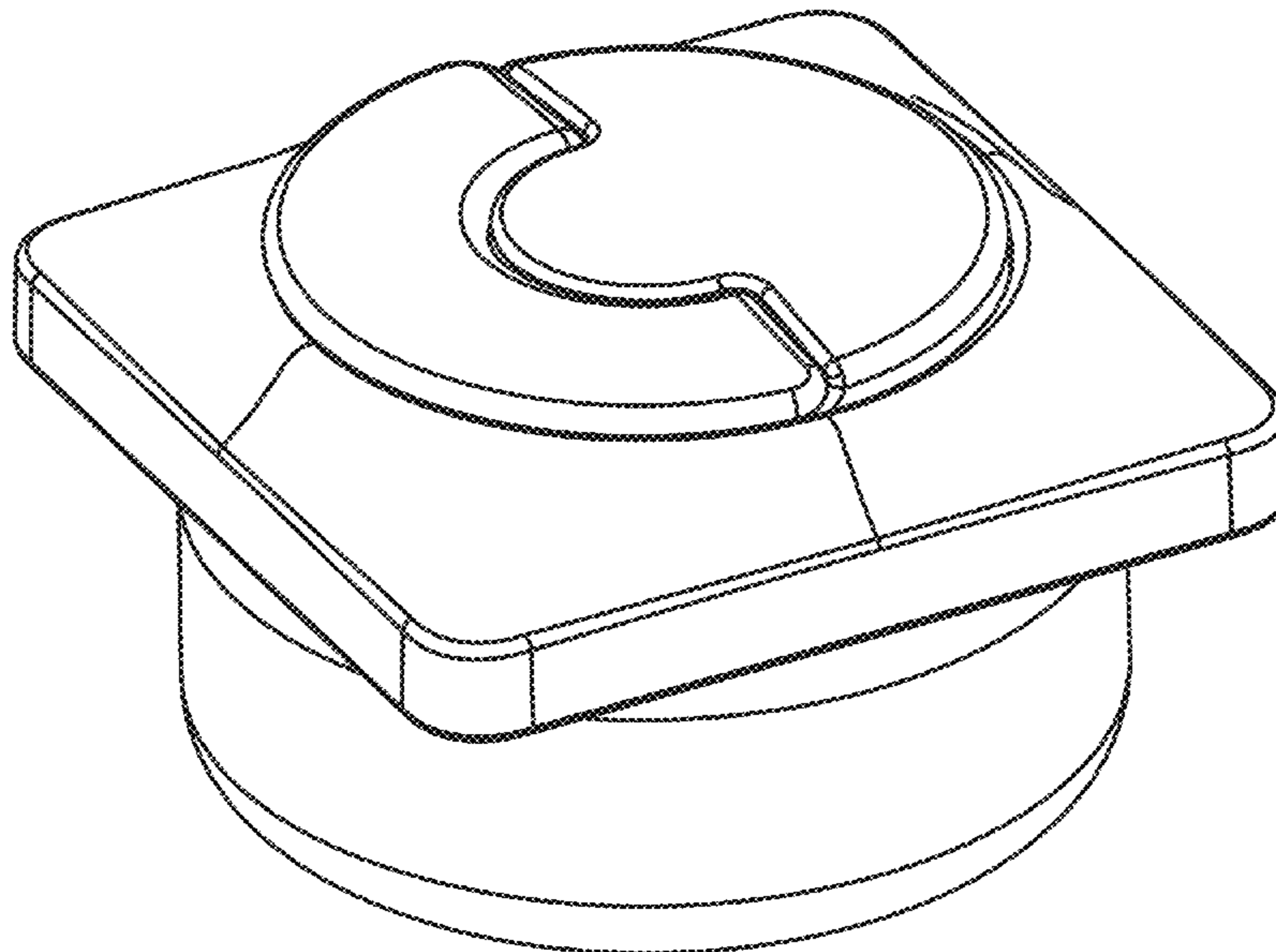
FIG. 1 is a perspective view of a food storage container showing my new design;
FIG. 2 is a top view of the food storage container;
FIG. 3 is a bottom view of the food storage container;
FIG. 4 is a right side view of the food storage container;
FIG. 5 is a left side view of the food storage container;
FIG. 6 is a front view of the food storage container; and,
FIG. 7 is a rear view of the food storage container.
The broken line elements in all views of the food storage container form no part of the claimed design.

1 Claim, 4 Drawing Sheets

(56) **References Cited**

U.S. PATENT DOCUMENTS

4,250,998 A 2/1981 Taylor
4,346,813 A 8/1982 Cho
4,845,959 A 7/1989 Magee
5,277,329 A 1/1994 Pomroy
5,579,932 A 12/1996 Drozd
D472,774 S * 4/2003 Pelstring D7/629
D575,994 S * 9/2008 Faulon D7/629
D577,290 S * 9/2008 Moretti D9/500
D577,292 S * 9/2008 Moretti D9/560
D579,784 S * 11/2008 Varlet D9/544



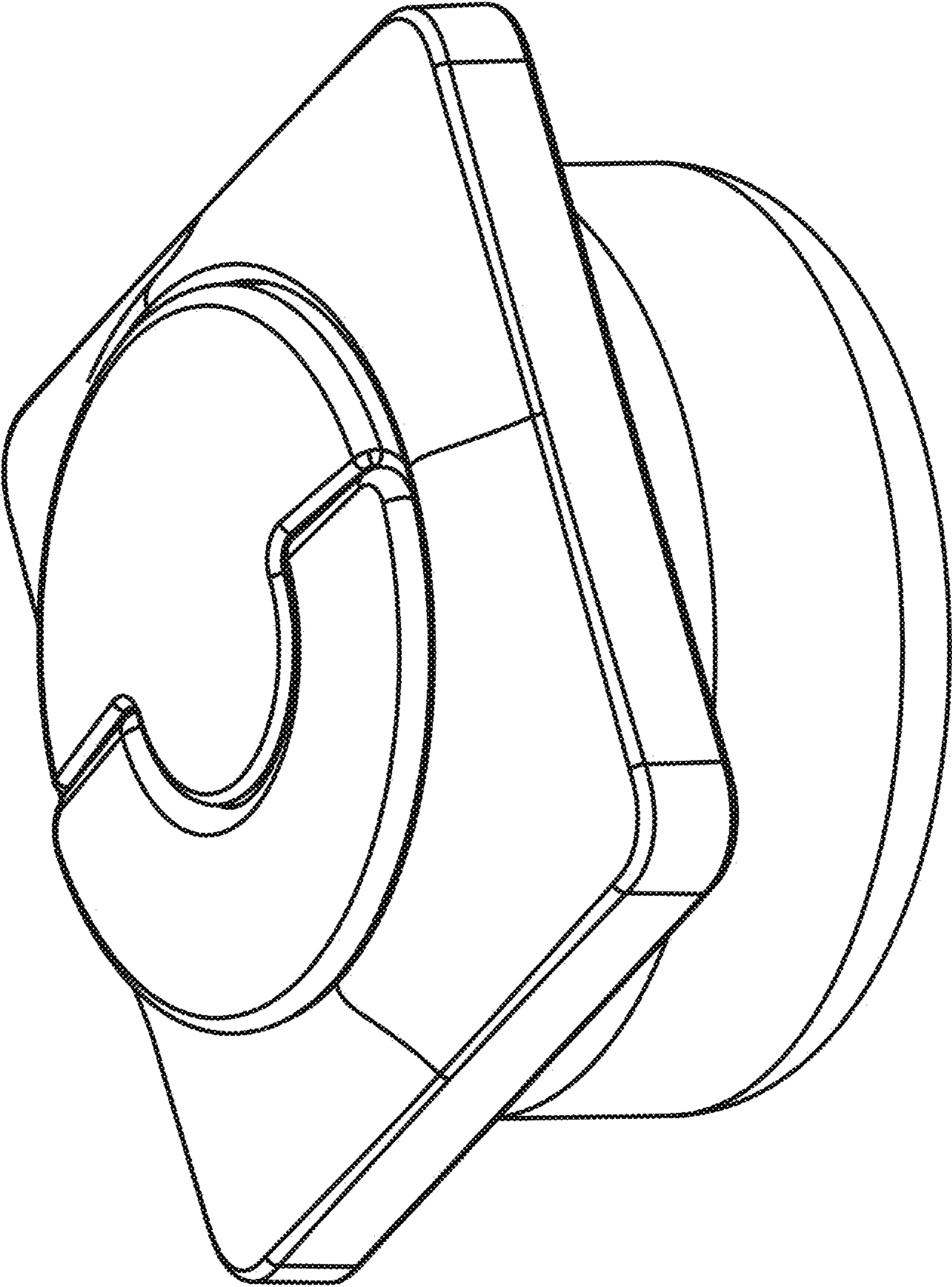


Fig. 1

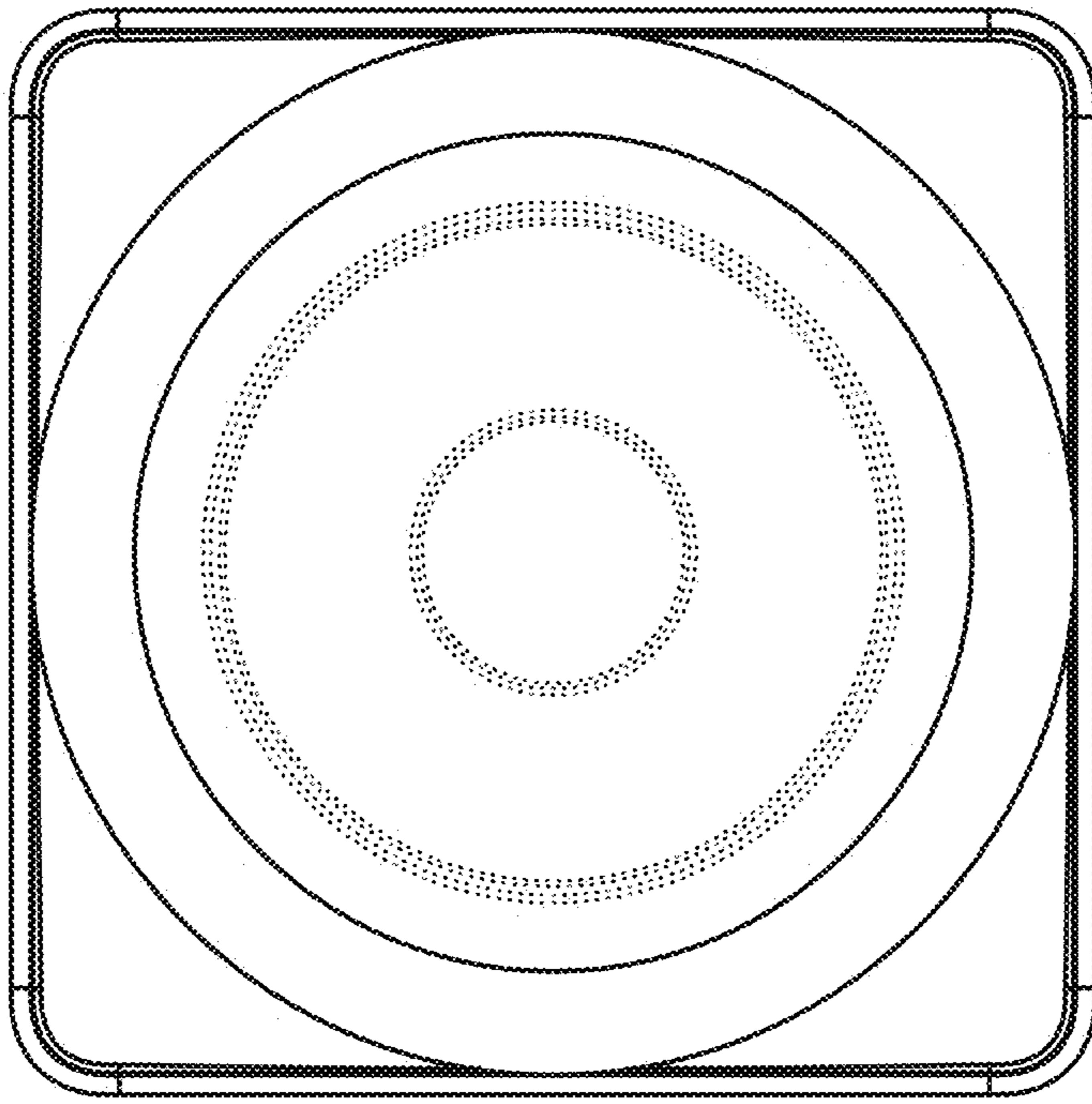


Fig. 3

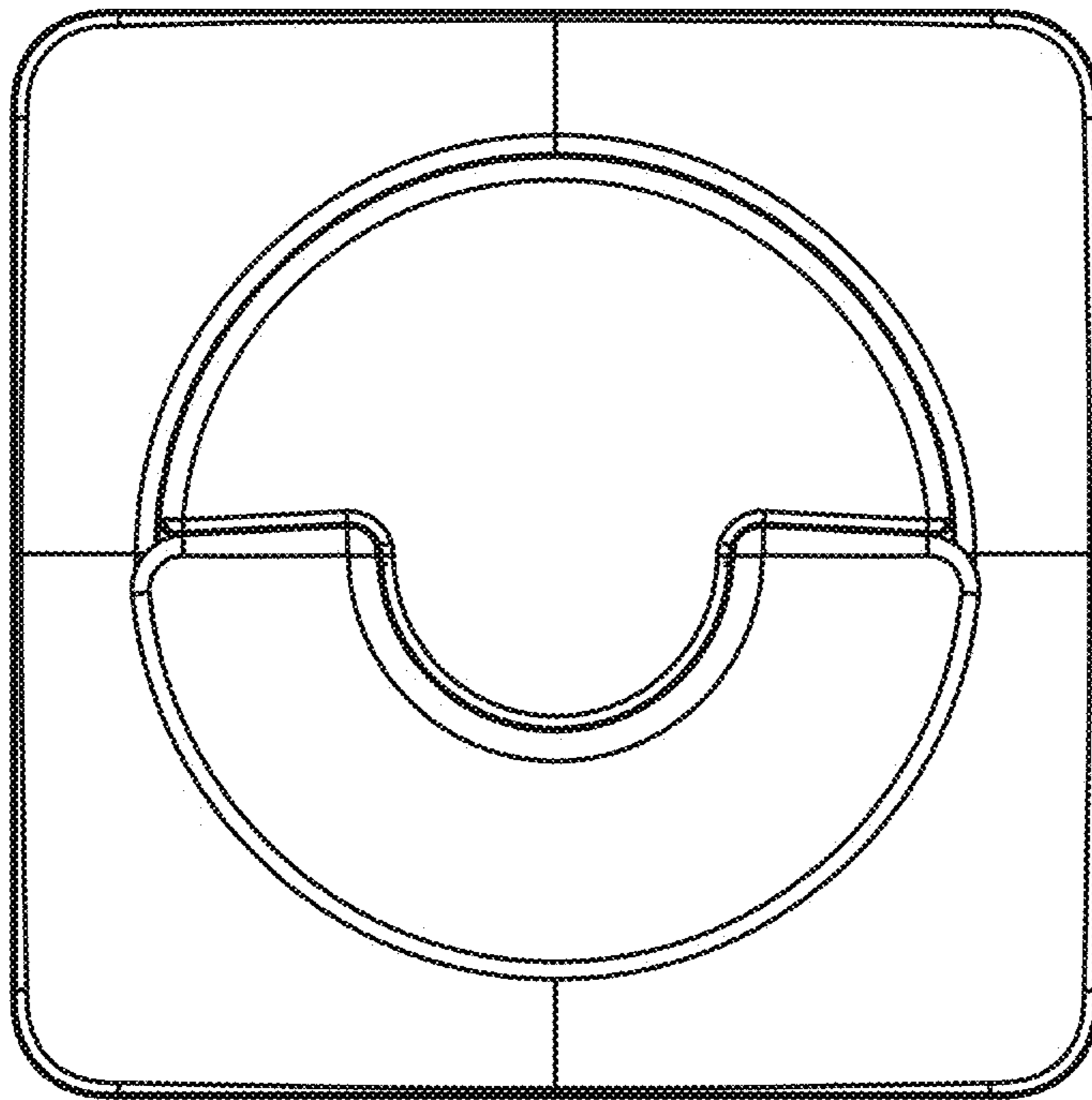


Fig. 2

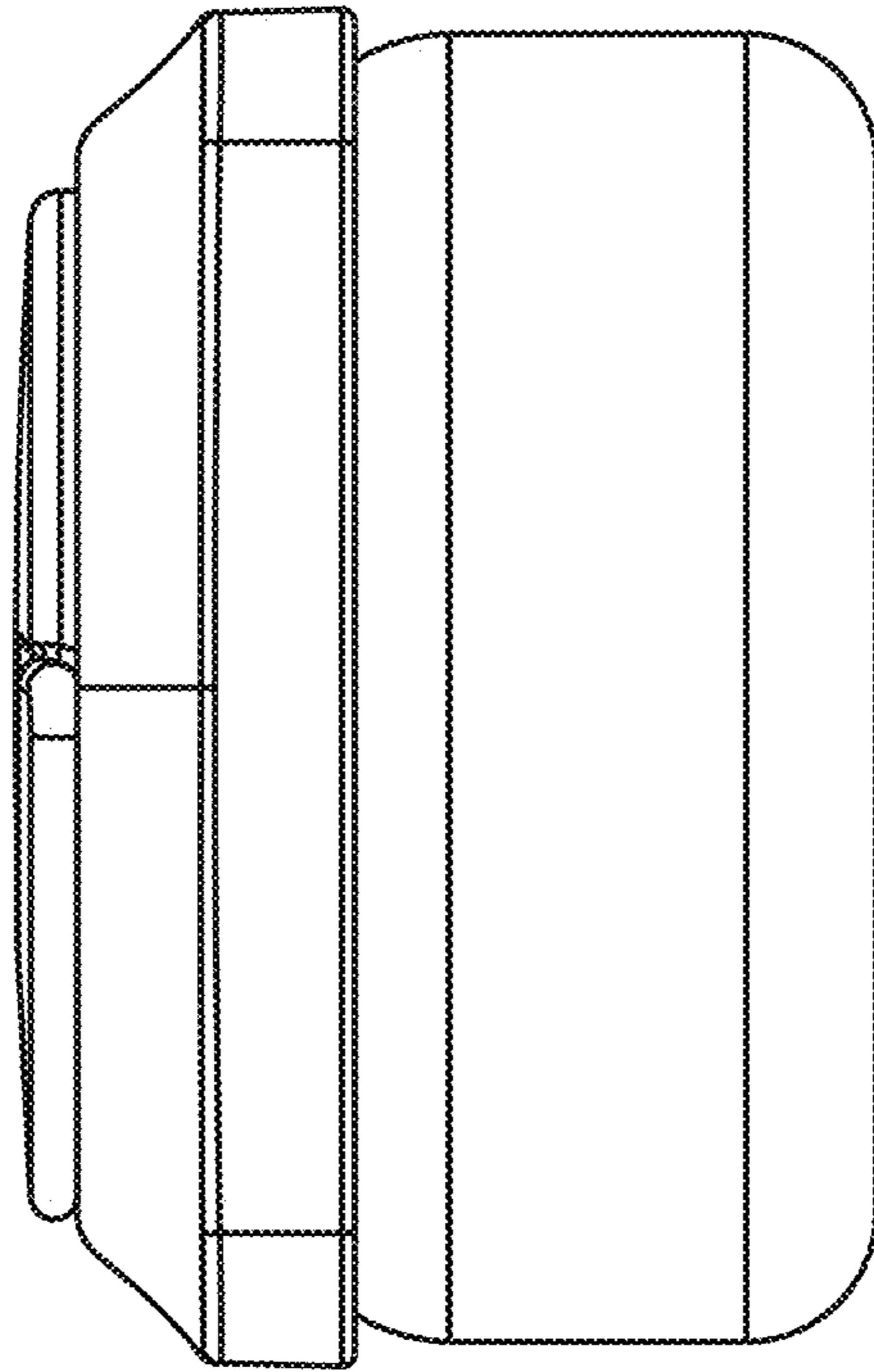


Fig. 5

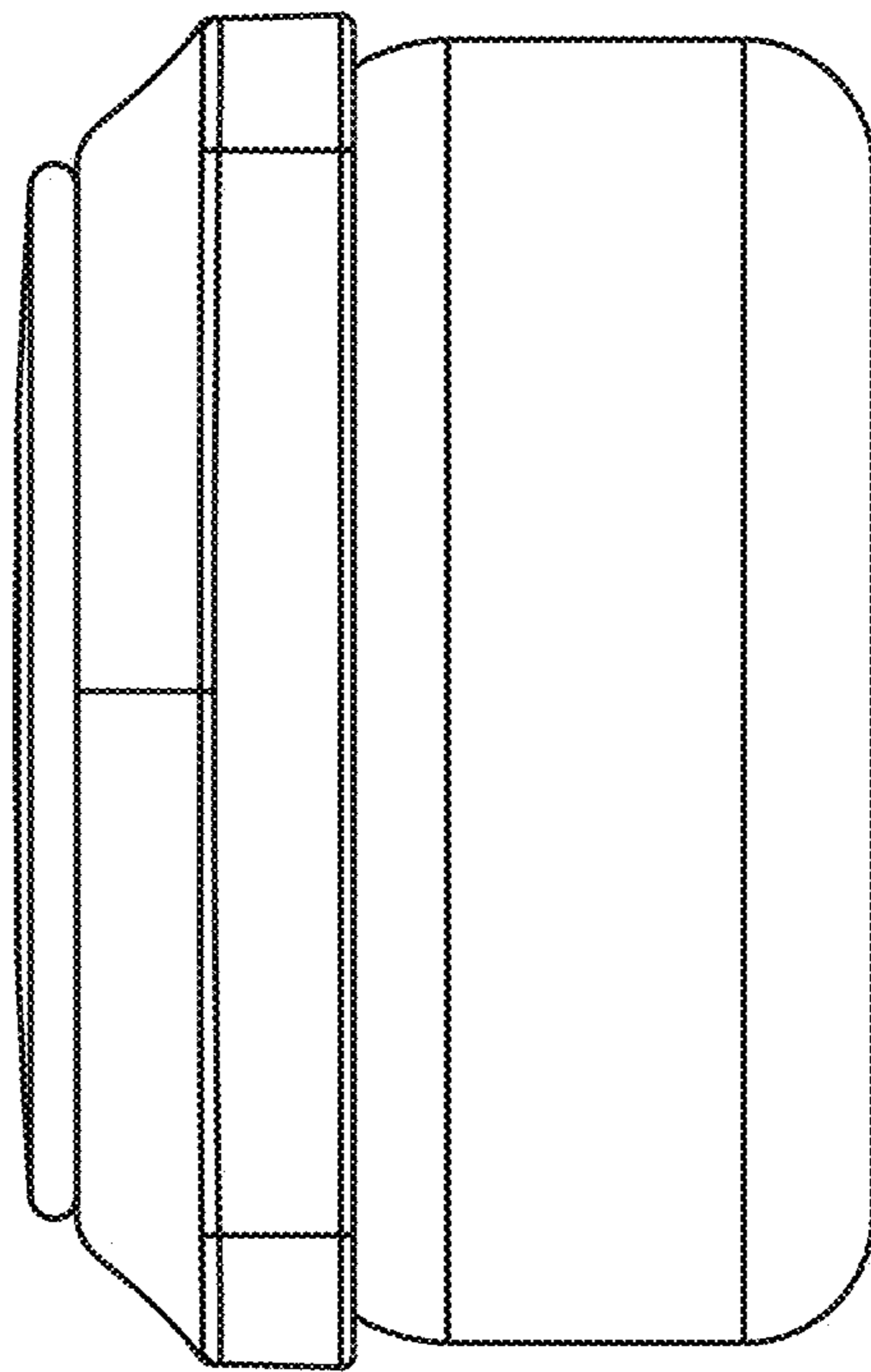


Fig. 4



Fig. 6

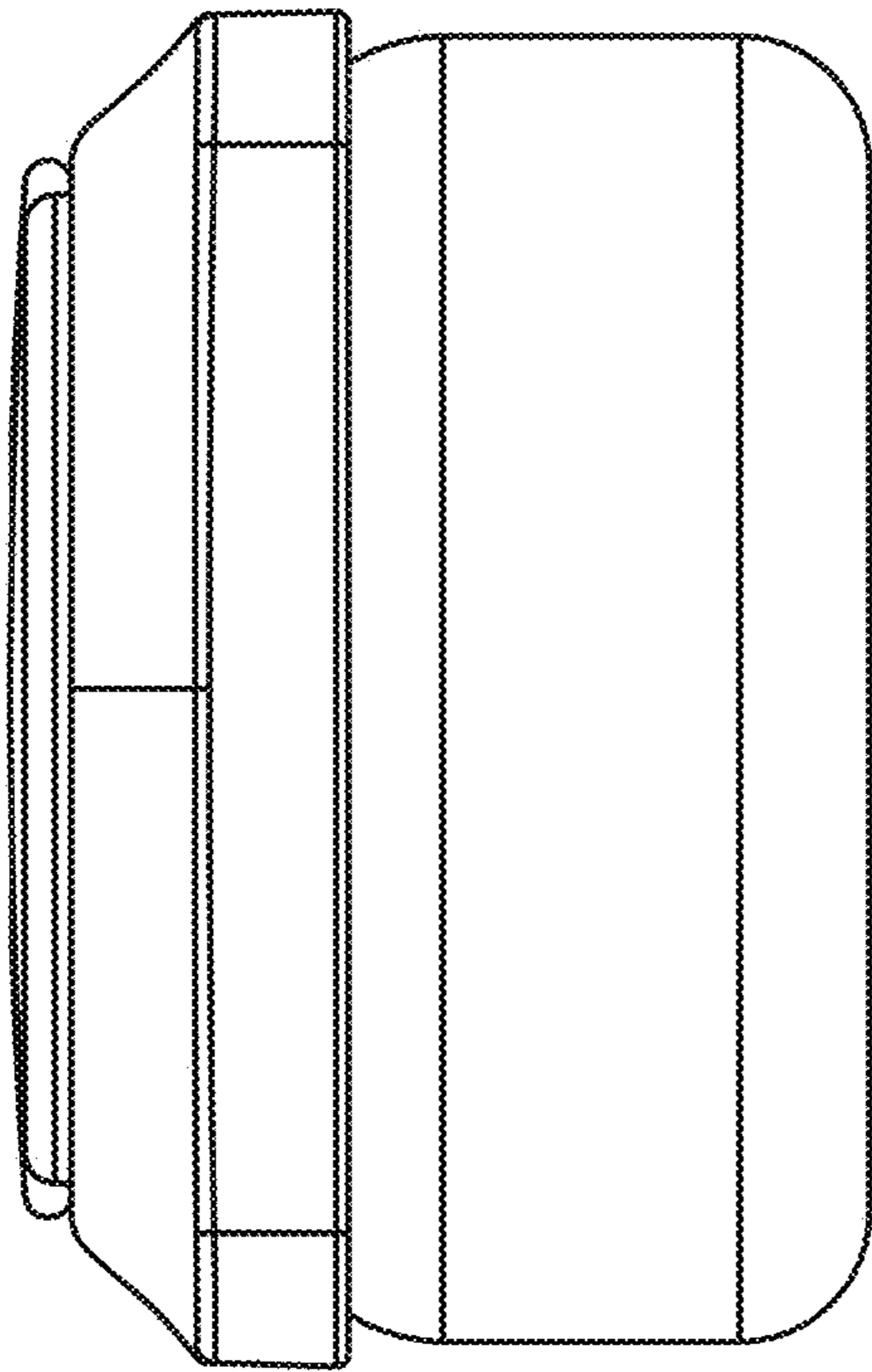


Fig. 7