



US00D938235S

(12) **United States Design Patent** (10) **Patent No.:** **US D938,235 S**
Feng (45) **Date of Patent:** **** Dec. 14, 2021**

(54) **CUP HOLDER**

(71) Applicant: **Jianfeng Feng**, Guangdong (CN)

(72) Inventor: **Jianfeng Feng**, Guangdong (CN)

(**) Term: **15 Years**

(21) Appl. No.: **29/765,613**

(22) Filed: **Jan. 10, 2021**

(51) **LOC (13) Cl.** **07-06**

(52) **U.S. Cl.**
USPC **D7/620**

(58) **Field of Classification Search**
USPC D7/619.1-625; D8/373
CPC B60N 3/10; B60N 3/102; B60N 3/103;
B60N 3/105; B60N 3/106; B60N 3/18;
A47G 23/0216; A47G 23/02; A47G
23/0208; A47G 23/0225; A47G 23/0241;
A47G 23/0266

See application file for complete search history.

(56) **References Cited**

U.S. PATENT DOCUMENTS

- D236,410 S * 8/1975 Jenkins D7/622
- 4,508,303 A * 4/1985 Beckerer, Jr. A47G 23/02
211/75
- D282,702 S * 2/1986 Maus D6/535
- D299,482 S * 1/1989 Pearson D7/620
- 5,191,679 A * 3/1993 Harper A47G 23/0225
16/363
- D453,095 S * 1/2002 Bailey D7/620
- D473,760 S * 4/2003 Perez D7/620
- D484,753 S 1/2004 Giampavolo
- D489,577 S 5/2004 Giampavolo
- D527,616 S 9/2006 Hajianpour

- D559,043 S 1/2008 Peota et al.
- D612,691 S 3/2010 Barnes, Jr.
- D638,663 S * 5/2011 Fuller D7/620
- D779,284 S 2/2017 LaFavers et al.
- D794,398 S 8/2017 LaFavers et al.
- D805,855 S 12/2017 Adams, IV et al.
- D825,282 S * 8/2018 Marshall D7/620

OTHER PUBLICATIONS

Amazon.com, KarNeey Shower Wine Glass Holder, KarNeey, ASIN B096LRR38B, pp. 1-10, date found on Amazon Aug. 24, 2021. (Year: 2021).*

Amazon.com, Gotega Wine Glass Holder Shower and Bath Suction Cup, Gotega, ASIN B07NNJFTH3, pp. 1-10, date found on Amazon Aug. 24, 2021. (Year: 2021).*

* cited by examiner

Primary Examiner — Terry A Wallace

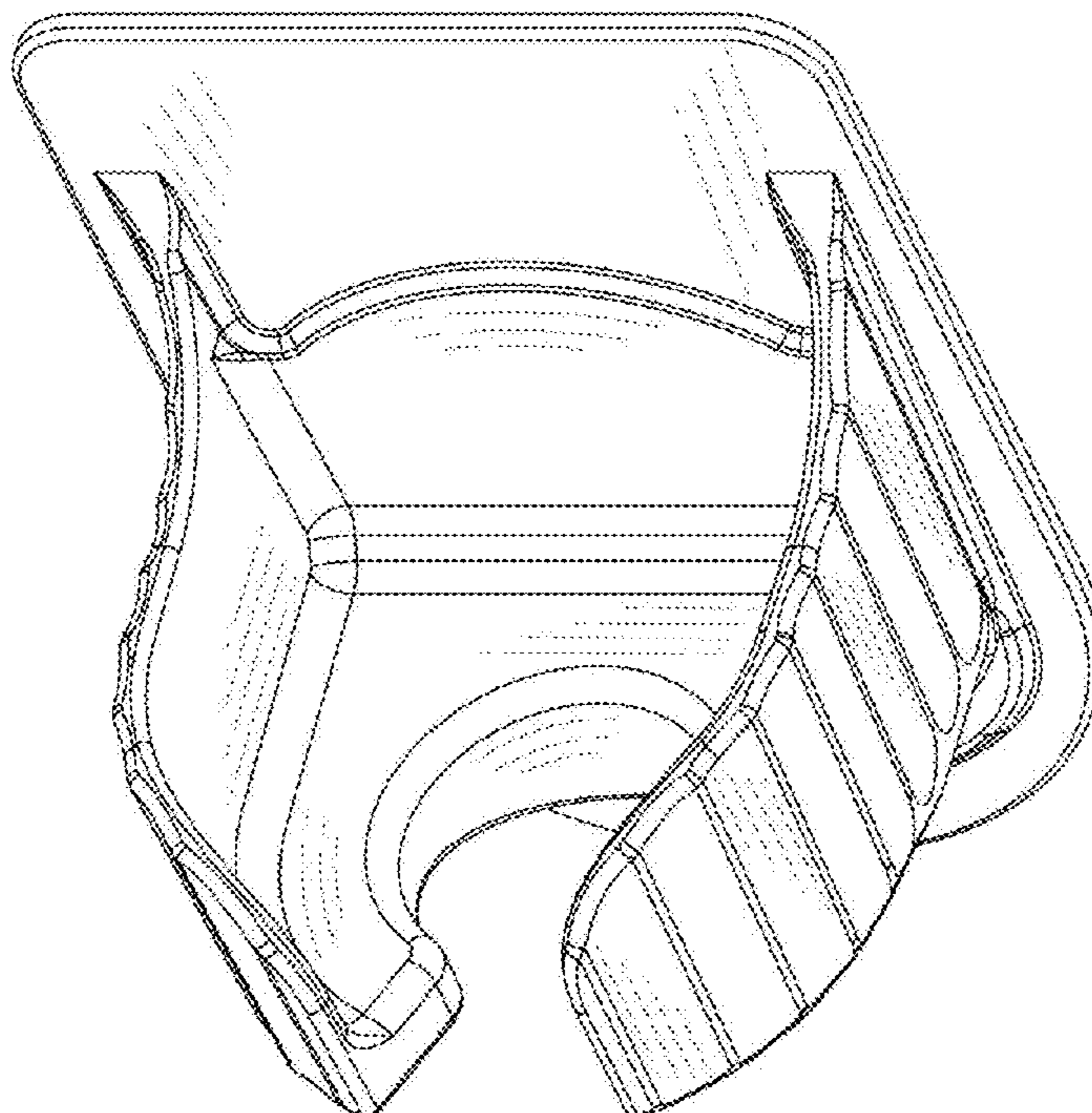
(57) **CLAIM**

The ornamental design for a cup holder, as shown and described.

DESCRIPTION

FIG. 1 is a perspective view of a cup holder showing my new design;
FIG. 2 is a front elevation view thereof;
FIG. 3 is a rear elevation view thereof;
FIG. 4 is a left side elevation view thereof;
FIG. 5 is a right side elevation view thereof;
FIG. 6 is a top plan view thereof; and,
FIG. 7 is a bottom plan view thereof.

1 Claim, 7 Drawing Sheets



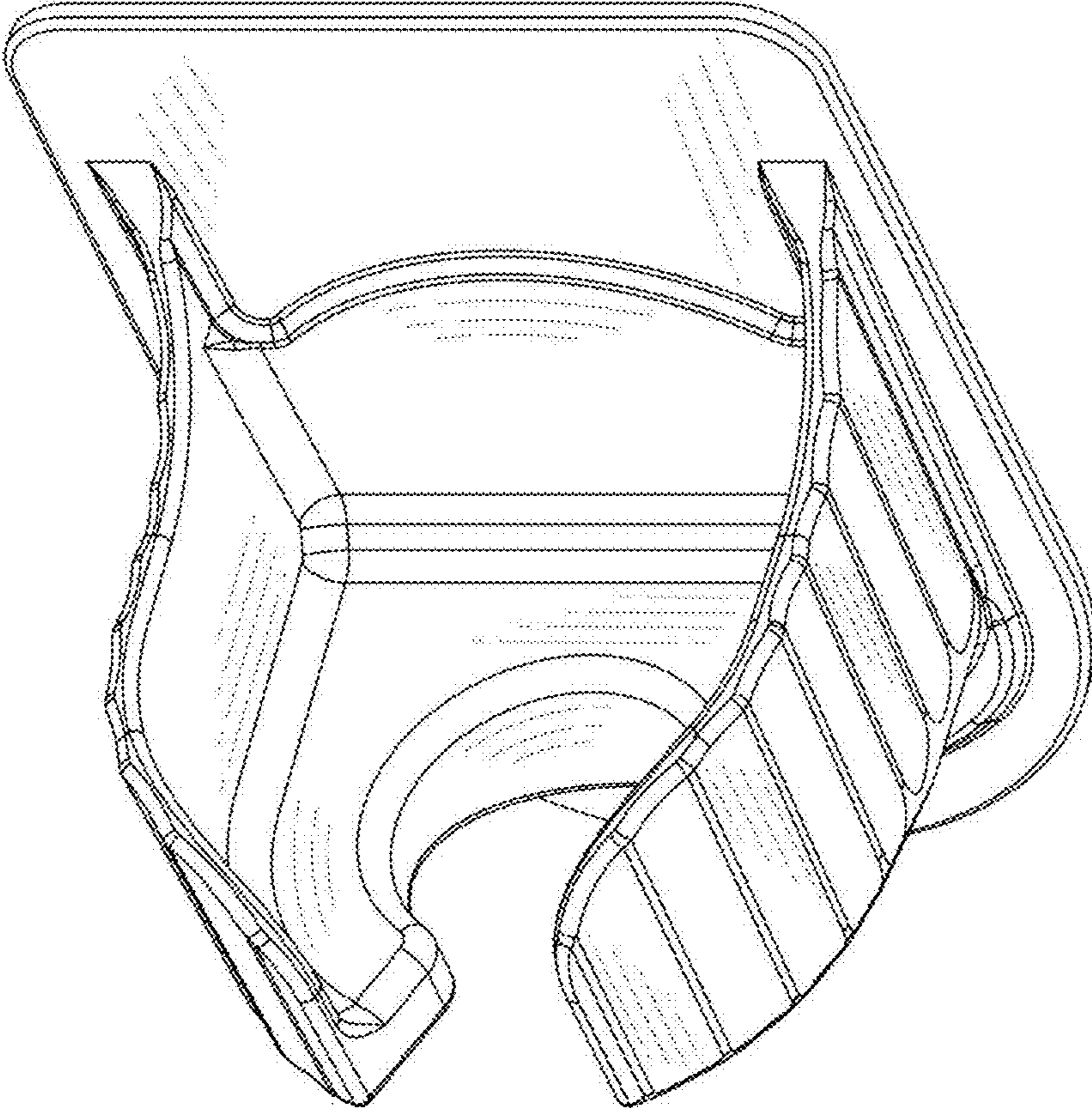


FIG. 1

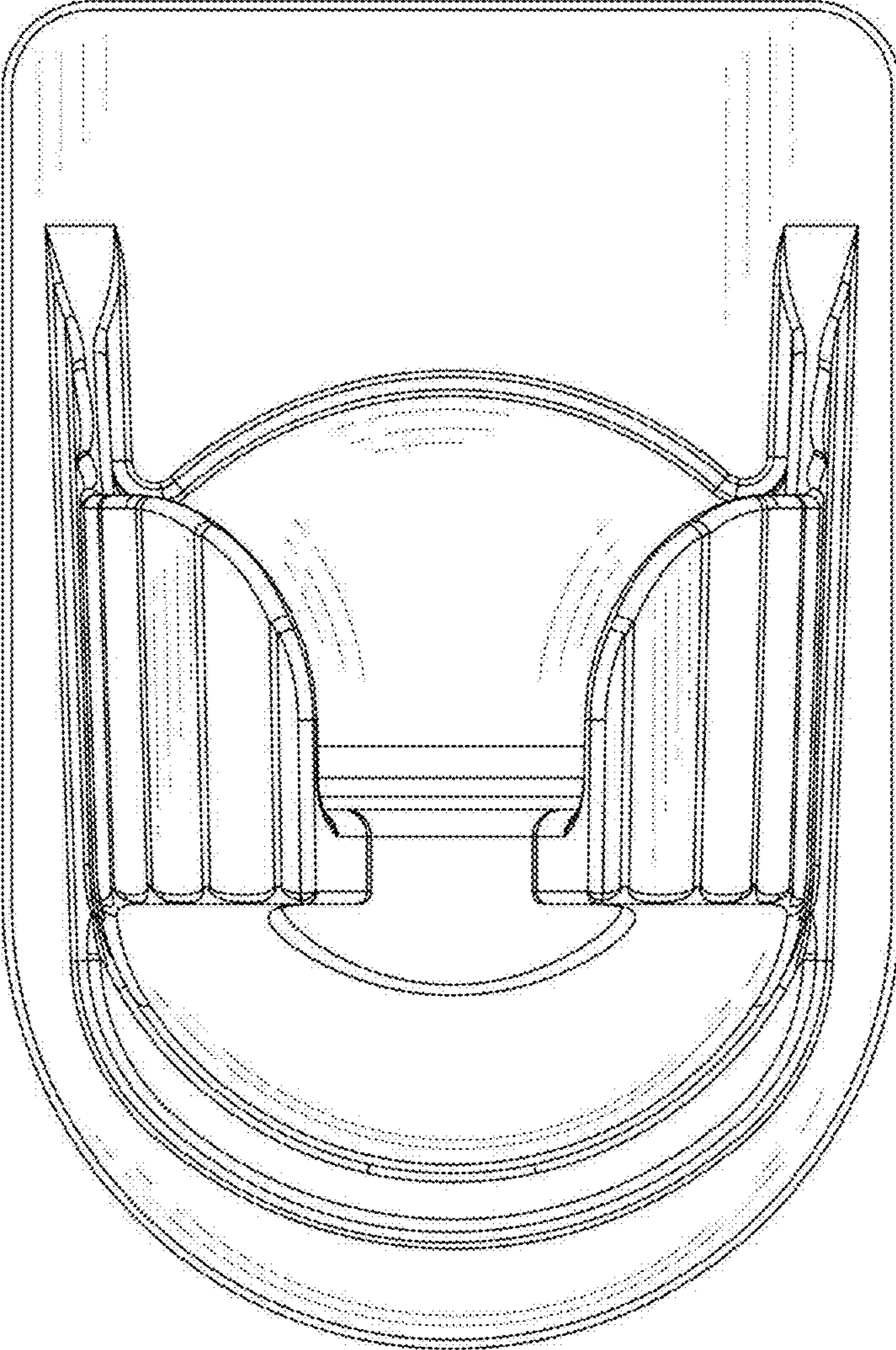


FIG. 2

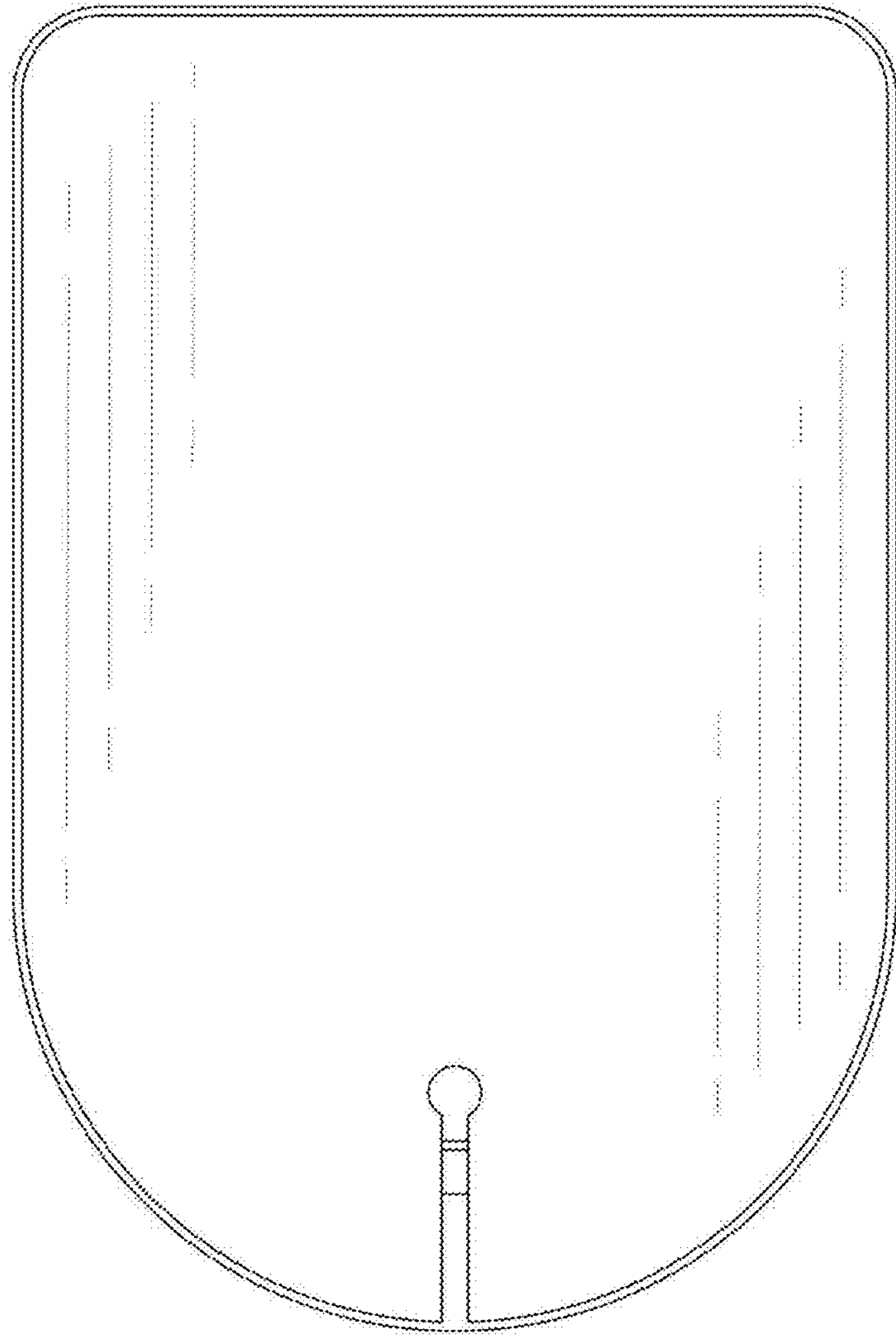


FIG. 3

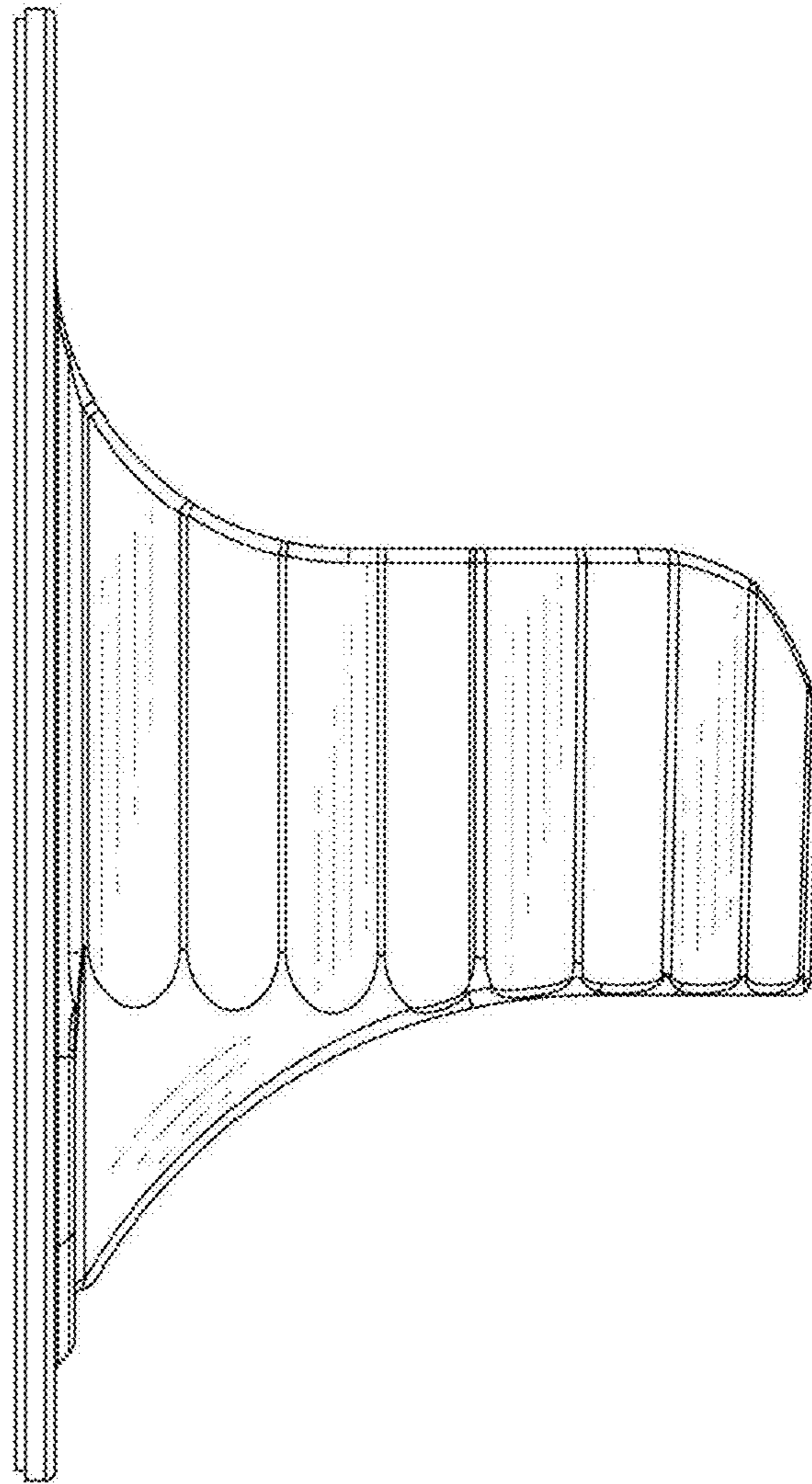


FIG. 4

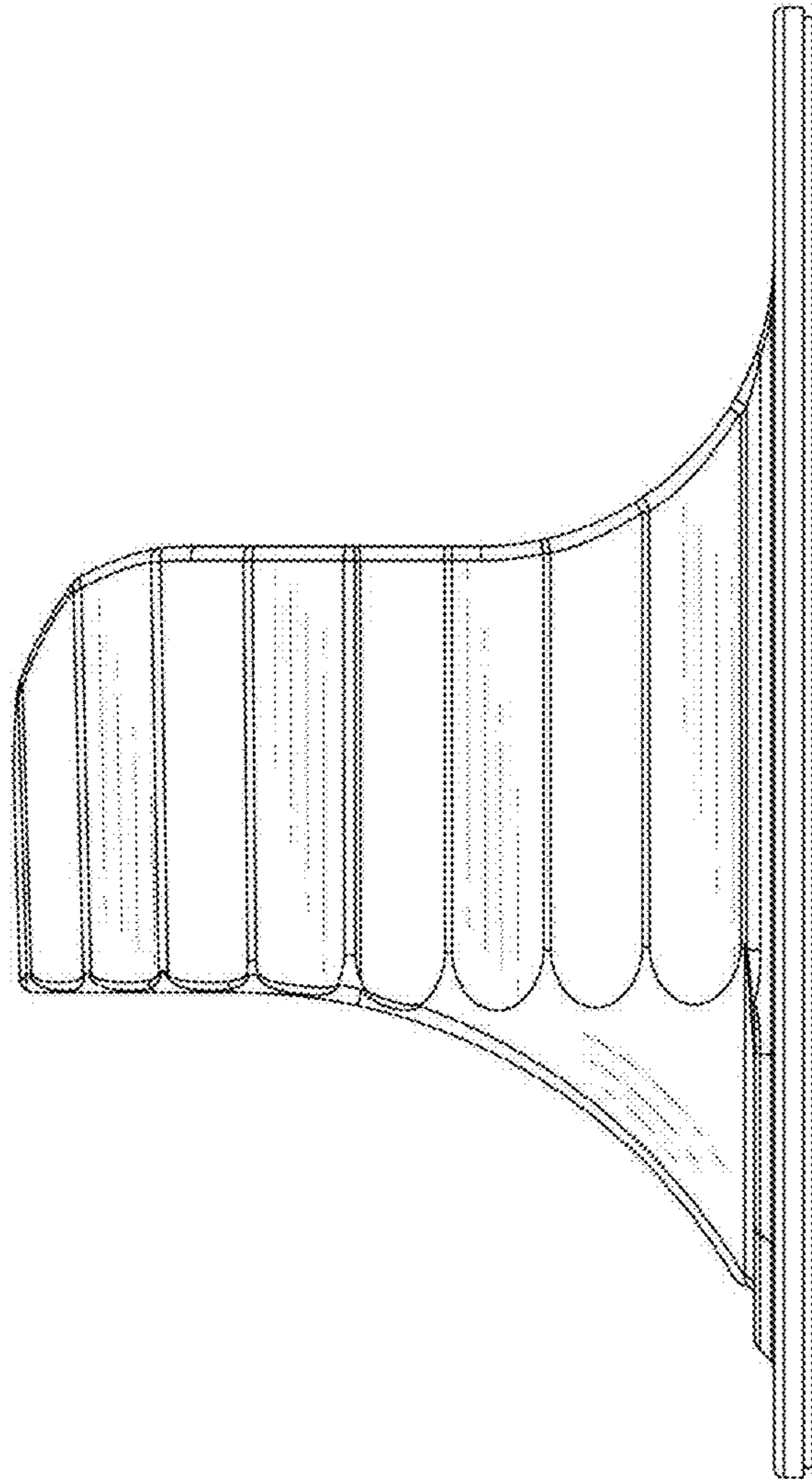


FIG. 5

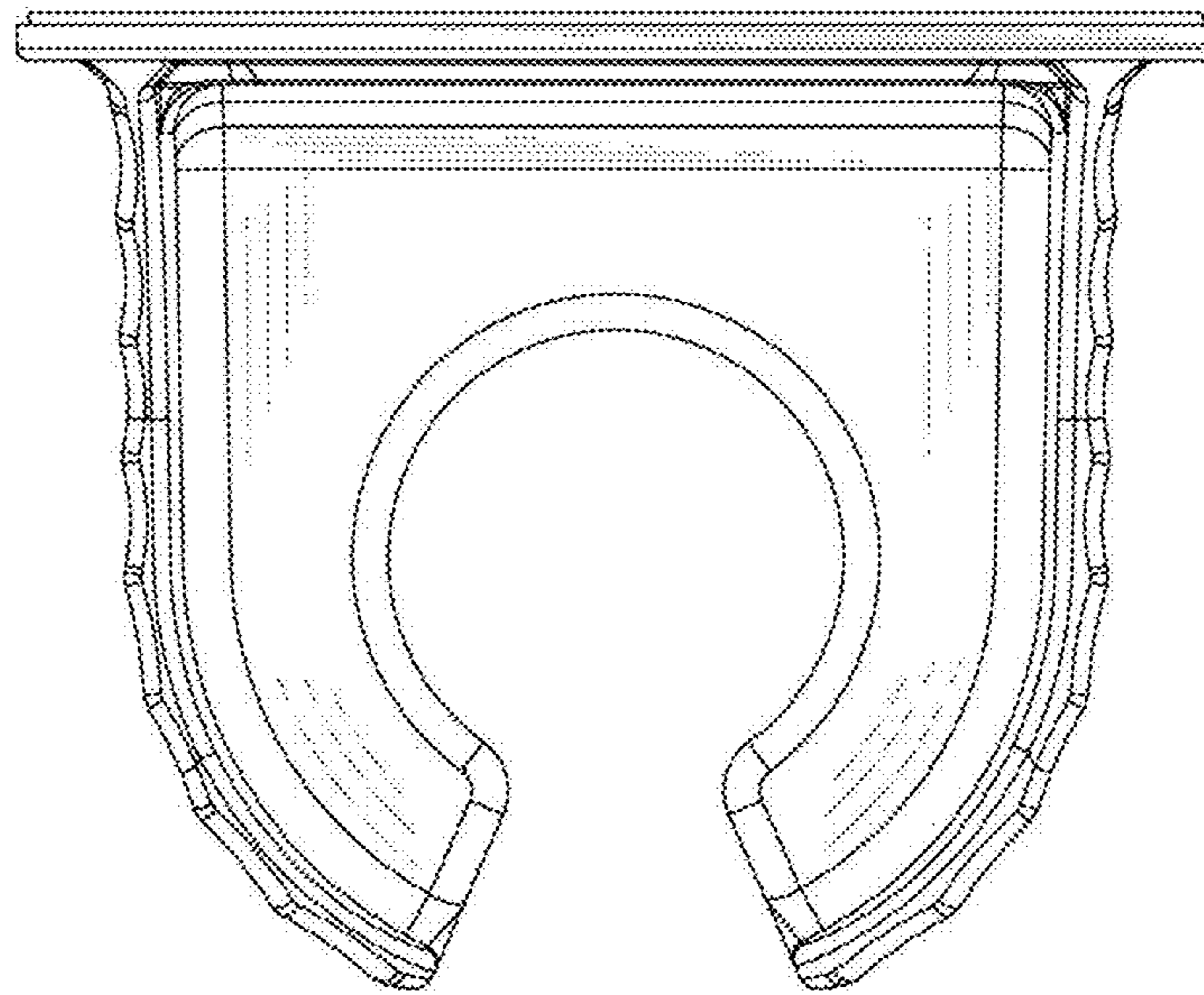


FIG. 6

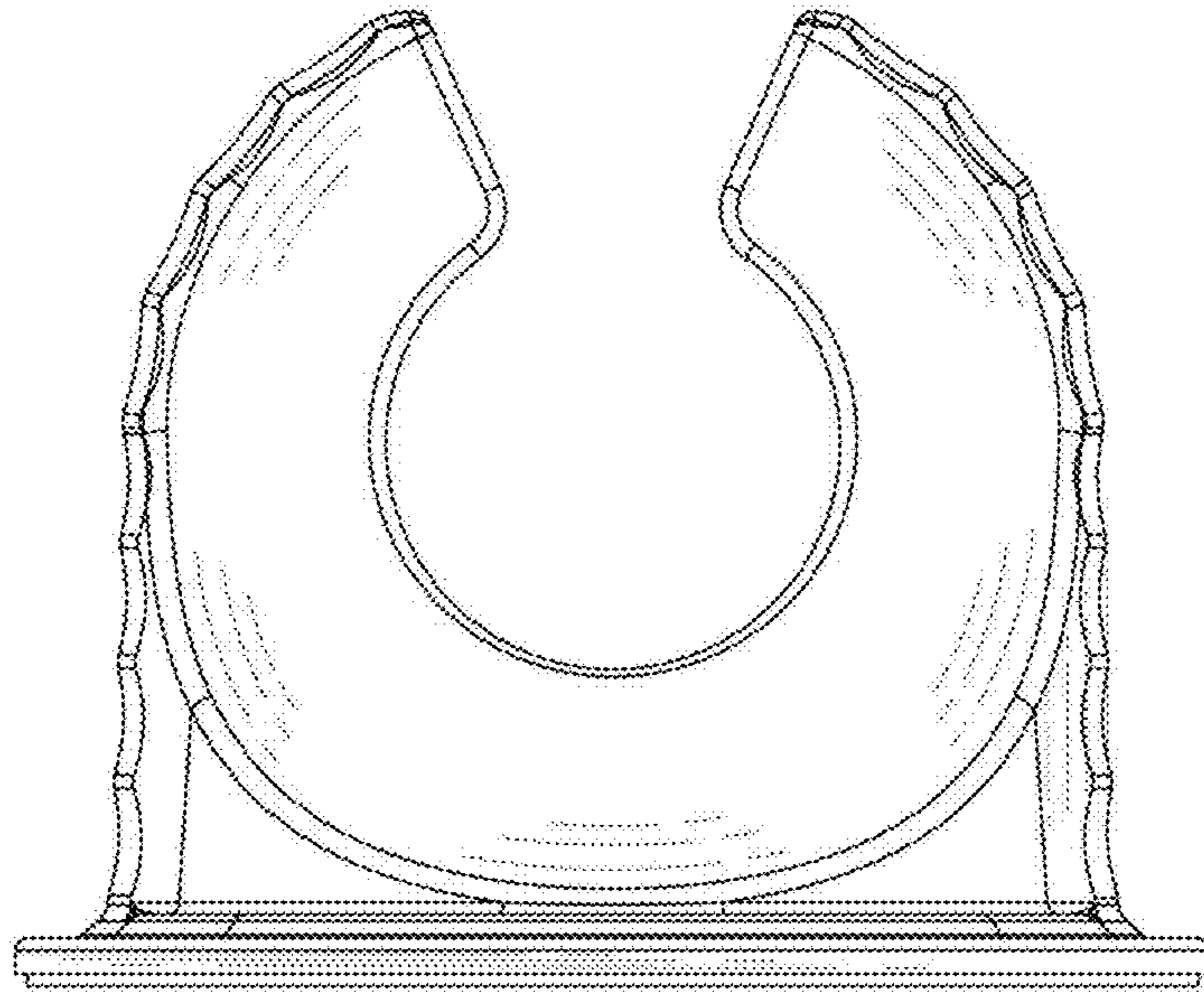


FIG. 7